



US00D400216S

United States Patent [19] Lin

[11] **Patent Number: Des. 400,216**

[45] **Date of Patent: **Oct. 27, 1998**

[54] **METAL CUTTING BAND-SAW**

4,001,937 1/1977 Stelljes et al. 83/816 X

[76] Inventor: **Kuo-Chuan Lin**, No. 26-4, Hou
Chuang Road, Pei Tun Chu, Taichung,
Taiwan

Primary Examiner—Antoine Duval Davis
Attorney, Agent, or Firm—Charles E. Baxley, Esq.

[**] Term: **14 Years**

[57] **CLAIM**

The ornamental design for a metal cutting band-saw, as shown and described.

[21] Appl. No.: **77,162**

DESCRIPTION

[22] Filed: **Jul. 23, 1997**

[51] **LOC (6) Cl.** **15-09**

[52] **U.S. Cl.** **D15/134**

[58] **Field of Search** D15/134; 83/814,
83/815, 816, 817, 818, 819

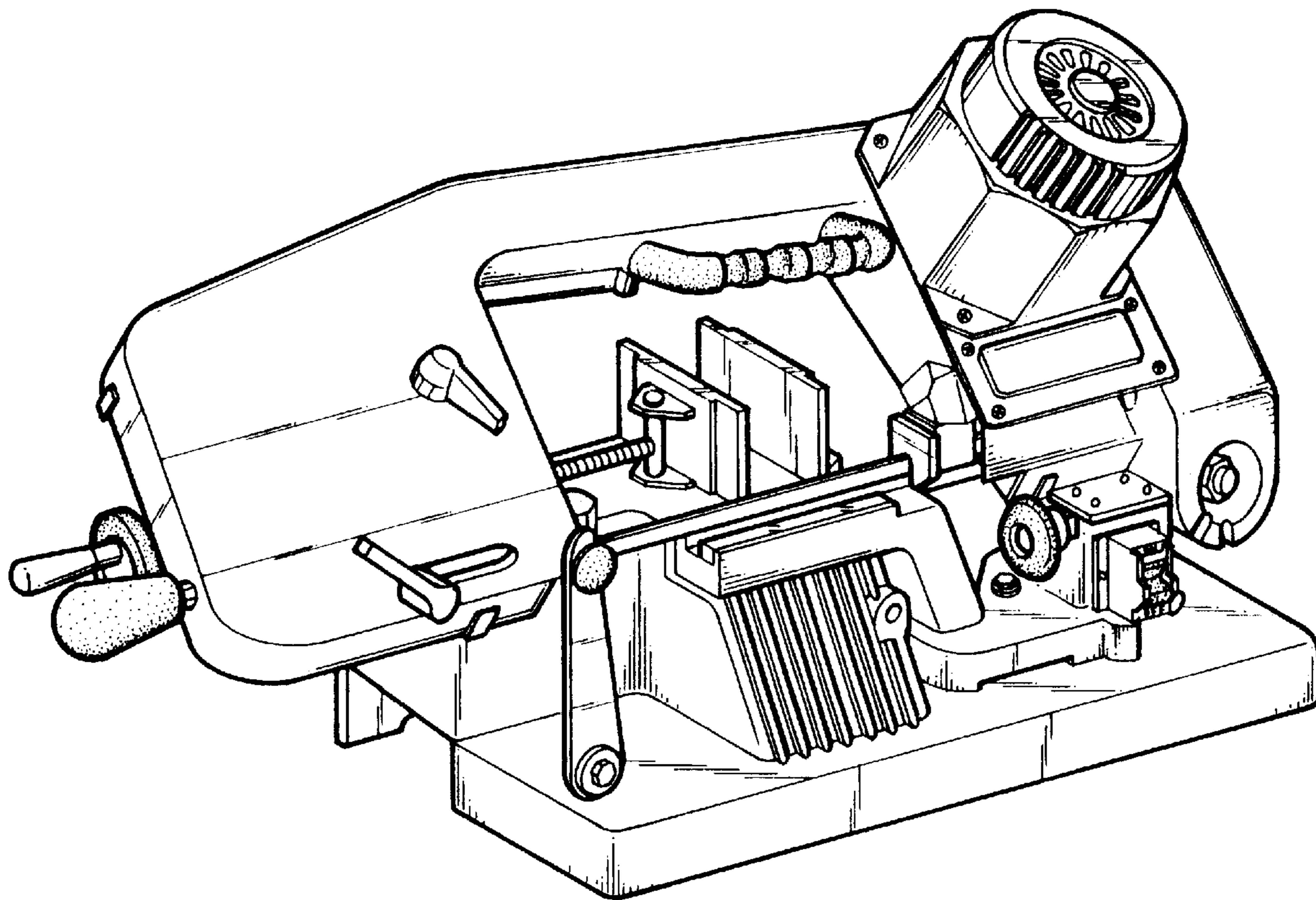
FIG. 1 is a perspective view of a metal cutting band-saw showing my new design;
FIG. 2 is a front elevational view thereof;
FIG. 3 is a rear elevational view thereof;
FIG. 4 is a left elevational view thereof;
FIG. 5 is a right elevational view thereof;
FIG. 6 is a top plan view thereof; and,
FIG. 7 is bottom plan view thereof.

[56] **References Cited**

U.S. PATENT DOCUMENTS

D. 369,609 5/1996 Liao D15/134

1 Claim, 5 Drawing Sheets



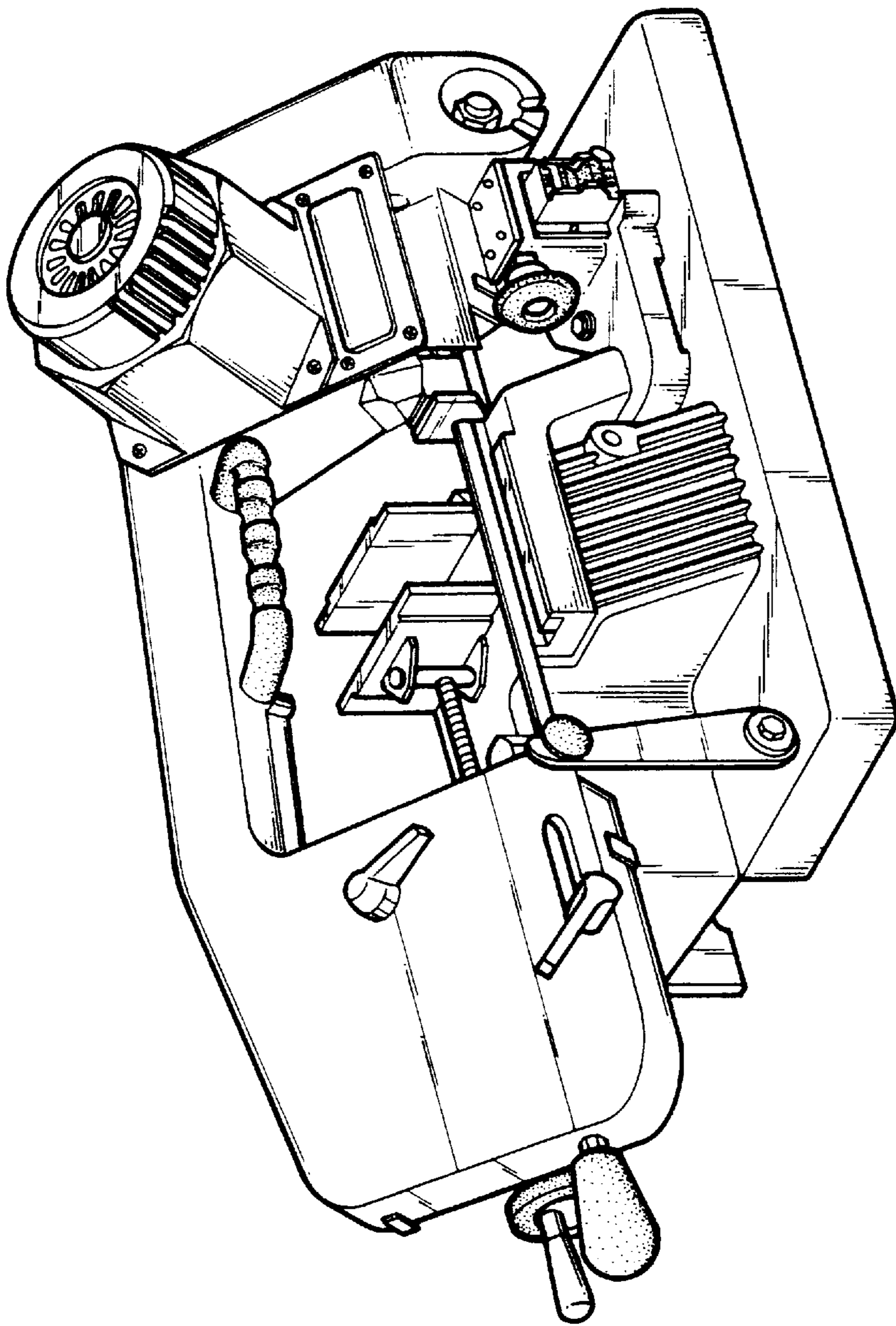


Fig. 1

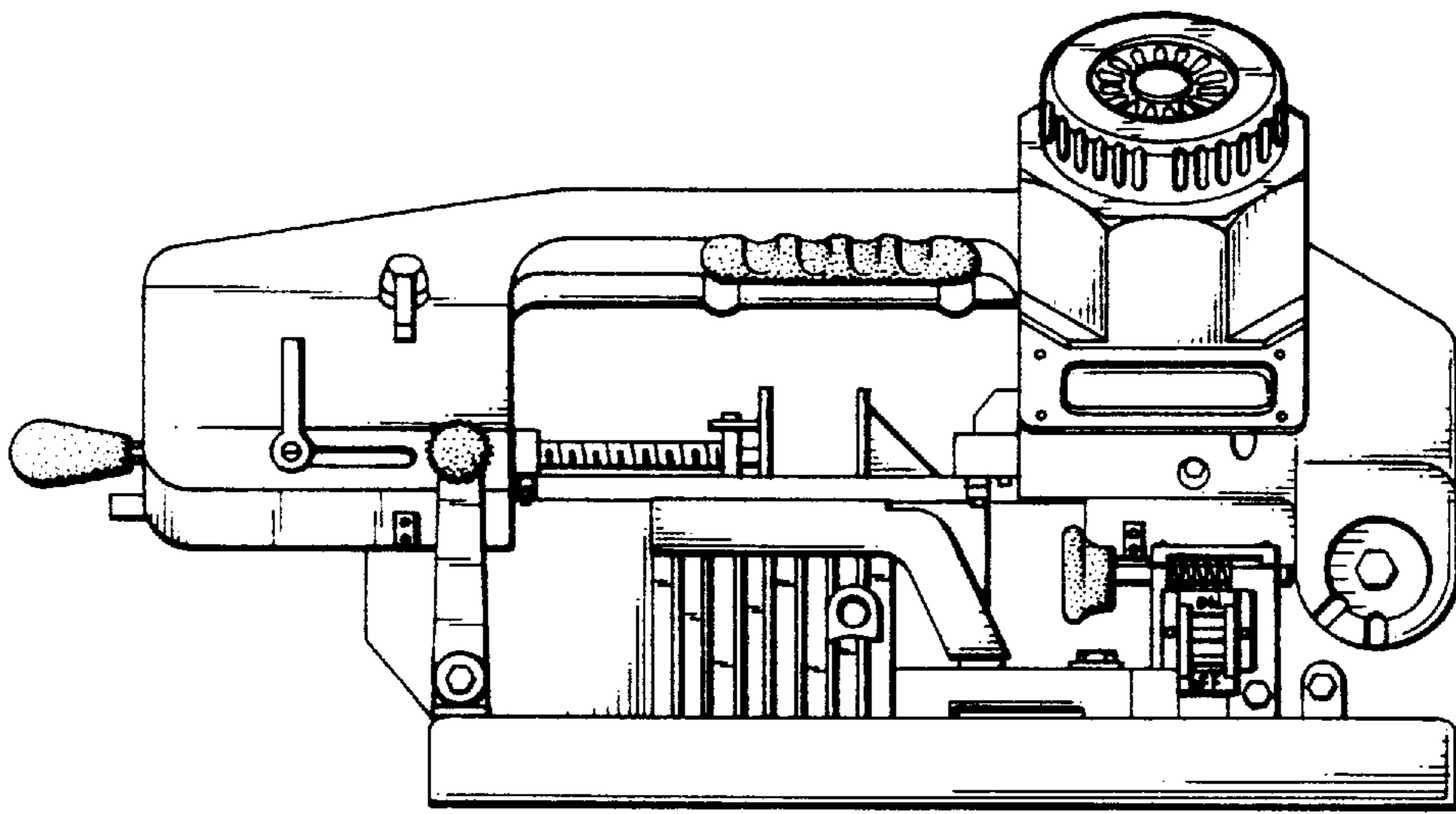


Fig 2

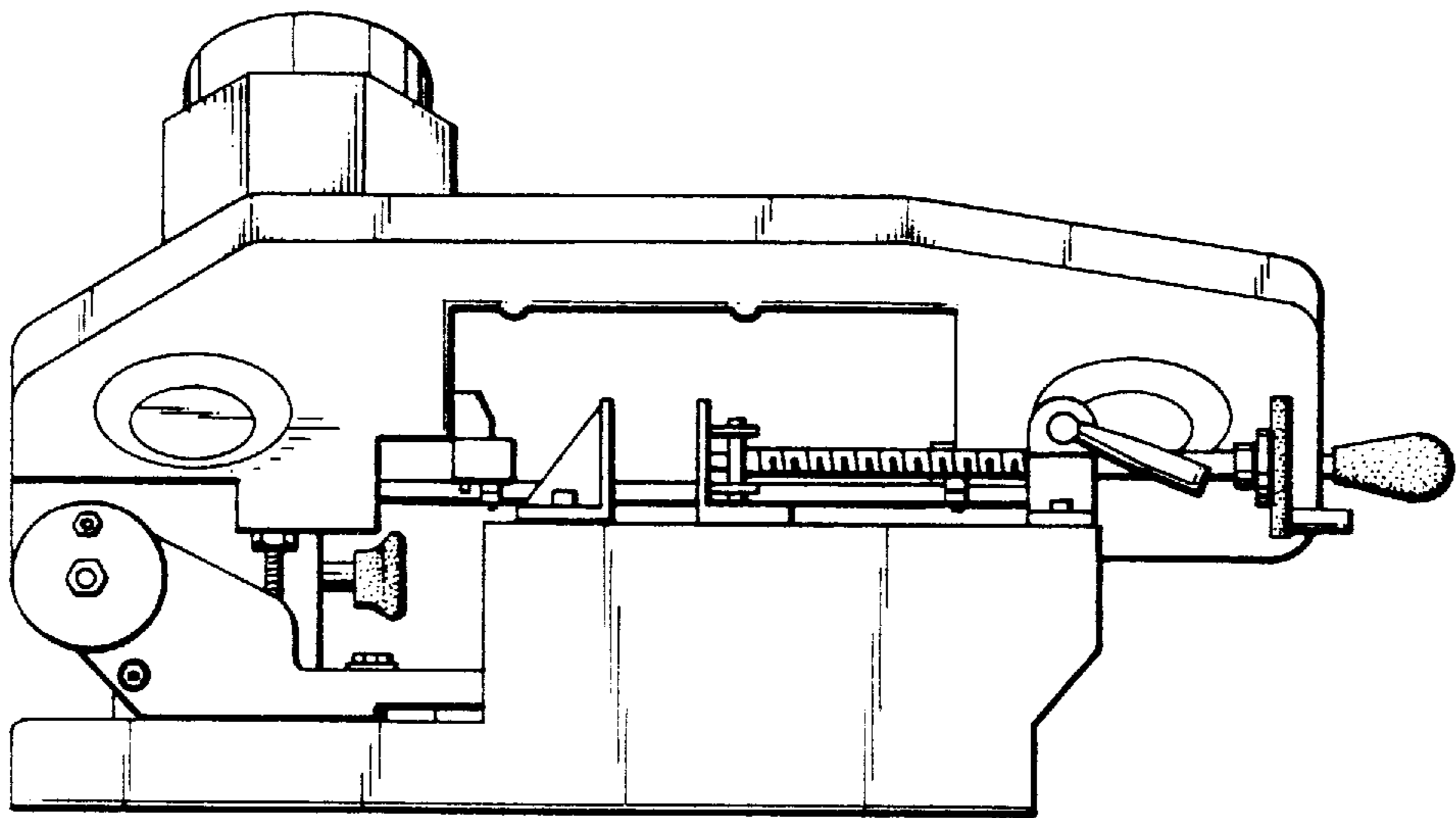


Fig 3

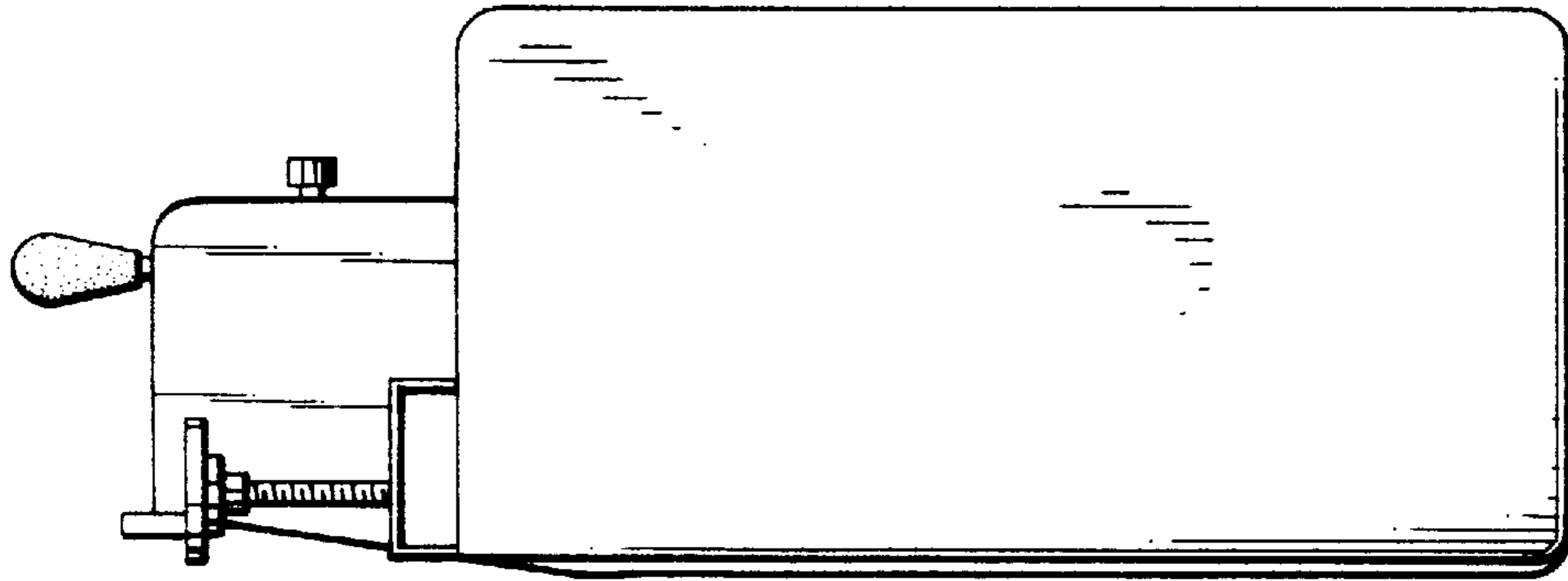


Fig 7

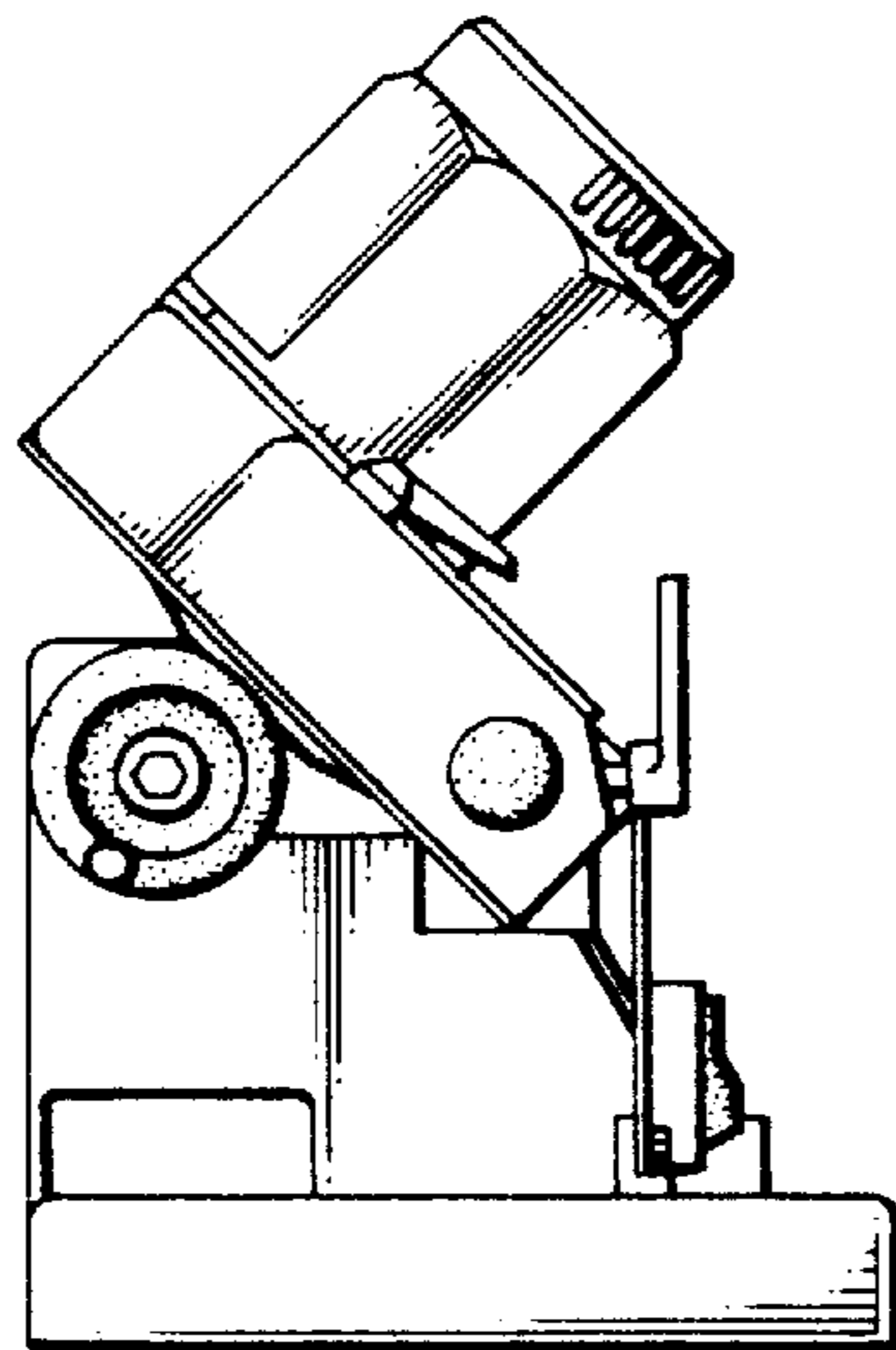


Fig 4

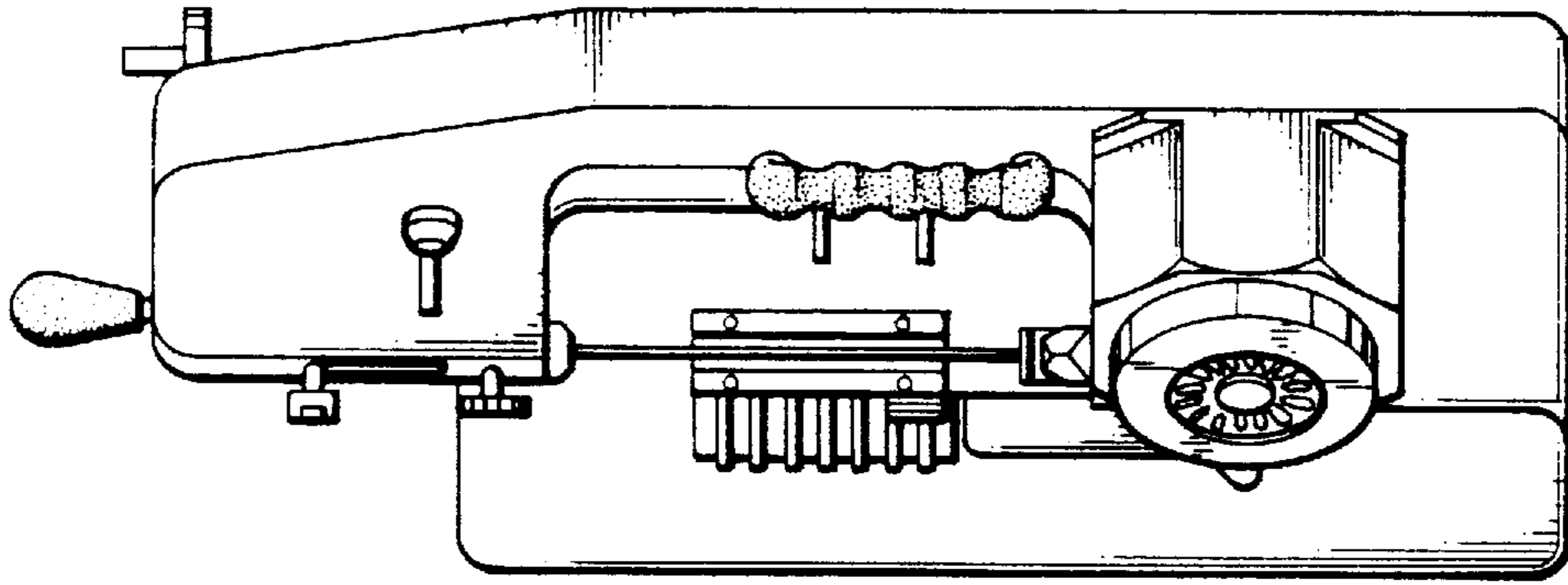


Fig 6

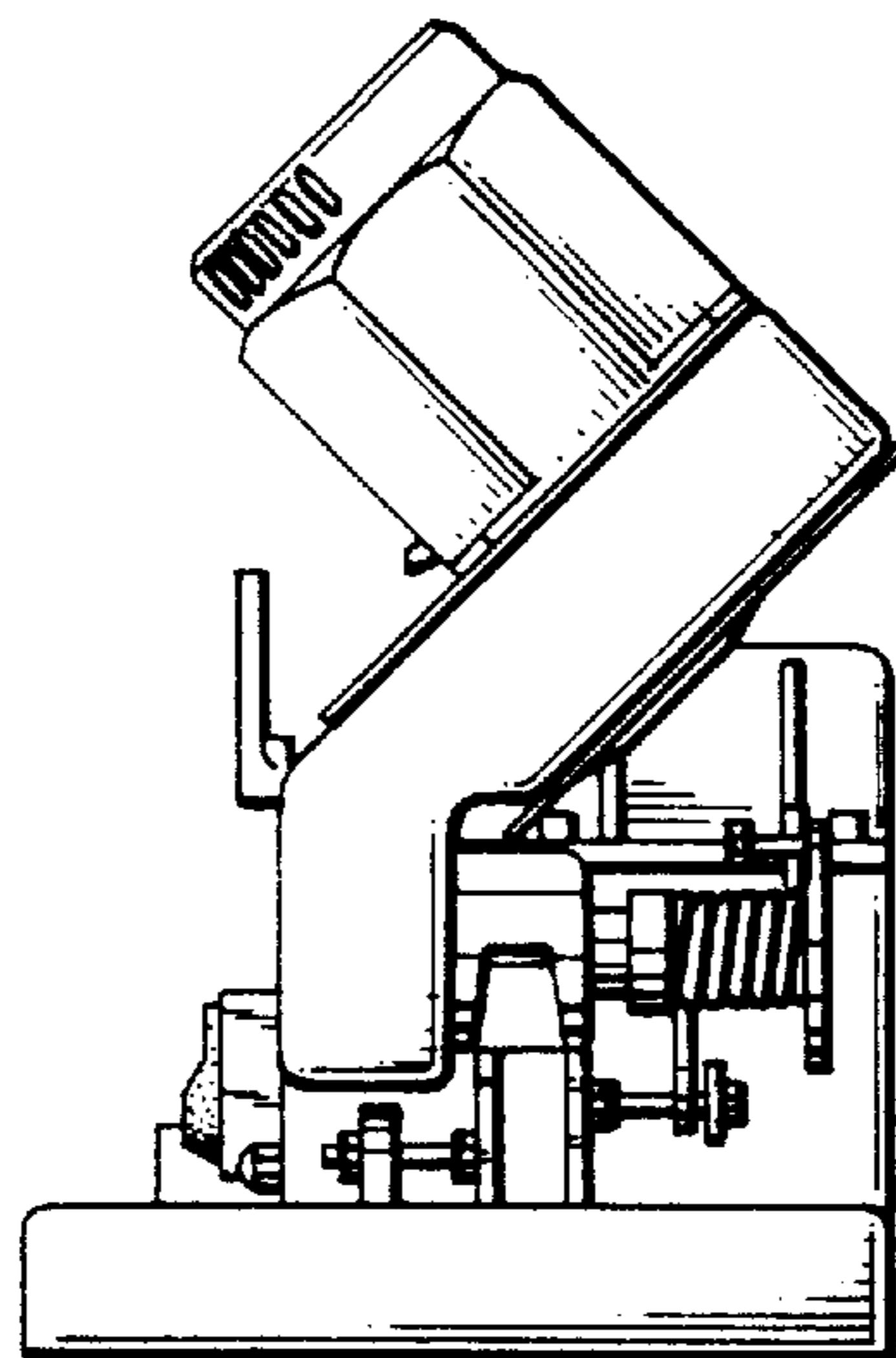


Fig 5