



US00D400215S

United States Patent [19]

[11] Patent Number: **Des. 400,215**

Price et al.

[45] Date of Patent: ****Oct. 27, 1998**

[54] **SLIDING COMPOUND MITER SAW**

[75] Inventors: **Scott Price**, Singapore, Singapore;
John W. Miller, Upperco, Md.; **Daryl S. Meredith**, Hampstead, Md.; **Thomas R. Kaye, Jr.**, Bel Air, Md.; **William R. Stumpf**, Kingsville, Md.; **Mark E. Brunson**, Abingdon, Md.; **Robert P. Welsh**, Hunt Valley, Md.

[73] Assignee: **Black & Decker Inc.**, Newark, Del.

[**] Term: **14 Years**

[21] Appl. No.: **76,560**

[22] Filed: **Sep. 10, 1997**

Related U.S. Application Data

[63] Continuation-in-part of Ser. No. 63,037, Dec. 2, 1996, Pat. No. Des. 391,973, which is a continuation-in-part of Ser. No. 55,881, Jun. 4, 1996.

[51] **LOC (6) Cl.** **15-09**

[52] **U.S. Cl.** **D15/133**

[58] **Field of Search** D15/133; 83/397,
83/471.1, 471.2, 471.3, 477, 581

[56] References Cited

U.S. PATENT DOCUMENTS

- D. 346,173 4/1994 Price .
- D. 391,973 3/1998 Price et al. D15/133
- 852,964 5/1907 Koegel .
- 1,314,291 8/1919 Wallace .
- 1,464,924 8/1923 Drummond .
- 1,646,589 10/1927 Meek et al. .
- 2,106,321 1/1938 Guertin .
- 3,721,141 3/1973 Frostad .

- 3,821,918 7/1974 Niehaus et al. .
- 3,998,121 12/1976 Bennett .
- 4,028,975 6/1977 Bennett .
- 4,176,571 12/1979 Batson .
- 4,318,324 3/1982 Hall et al. .
- 4,343,213 8/1982 Drixler .
- 4,581,966 4/1986 Kaiser et al. .
- 4,774,866 10/1988 Dehari et al. .
- 4,799,416 1/1989 Kumasaka et al. .
- 4,805,504 2/1989 Fushiya et al. .
- 5,054,352 10/1991 Fushiya et al. .
- 5,146,825 9/1992 Dehari .
- 5,203,245 4/1993 Terpstra .
- 5,437,214 8/1995 Sasaki et al. 83/471.3
- 5,524,516 6/1996 Sasaki et al. 83/471.3
- 5,564,323 10/1996 Sasaki et al. 83/471.3

FOREIGN PATENT DOCUMENTS

6-59008 8/1994 Japan .

Primary Examiner—Antoine Duval Davis
Attorney, Agent, or Firm—Harness, Dickey & Pierce, P.L.C.

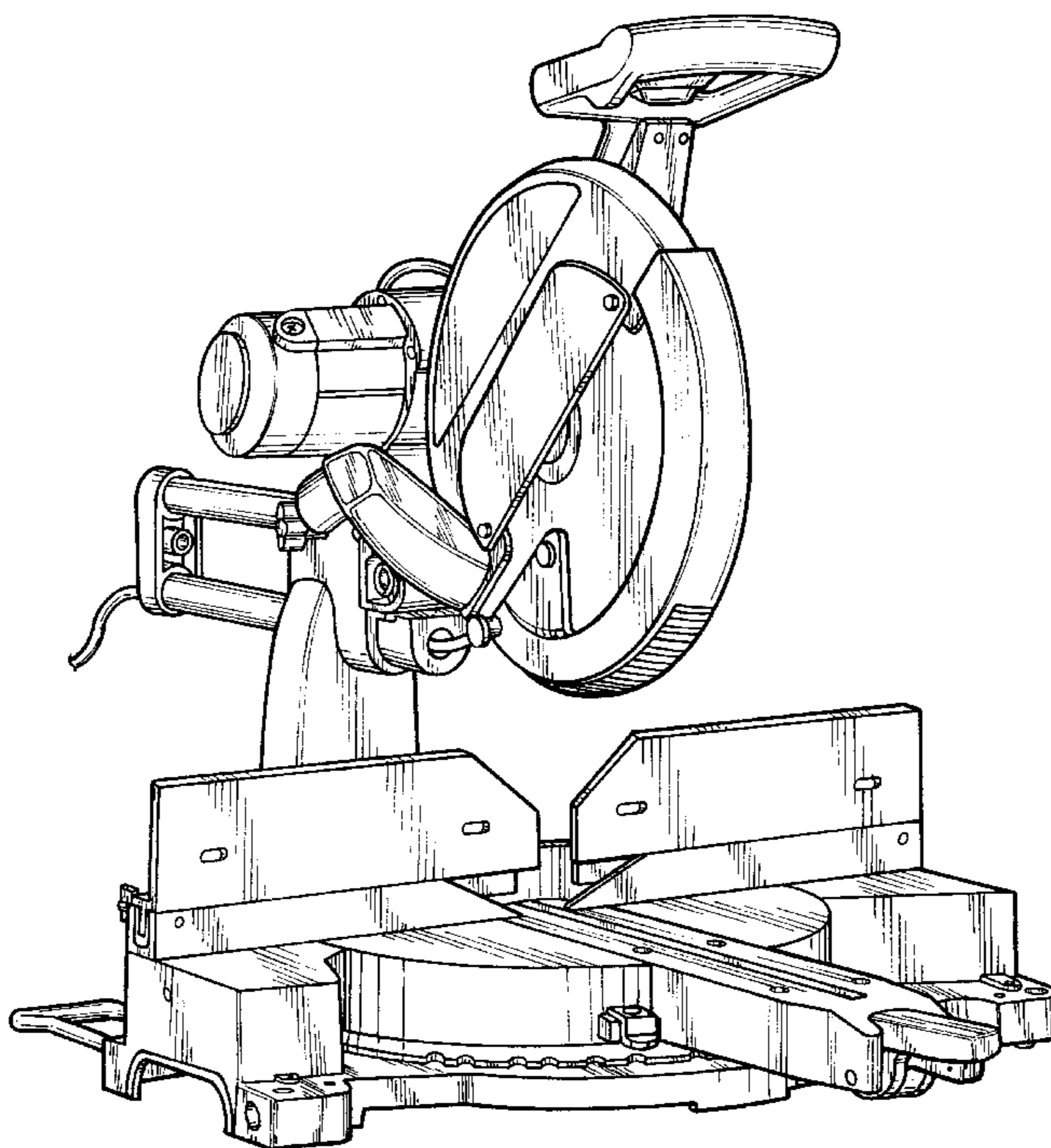
[57] CLAIM

The ornamental design for a sliding compound miter saw, as shown and described.

DESCRIPTION

FIG. 1 is a perspective view of the design for a sliding compound miter saw according to the present invention; FIG. 2 is a front elevational thereof; FIG. 3 is a right side elevational view thereof; FIG. 4 is a left side elevational view thereof; FIG. 5 is a rear elevational view thereof; FIG. 6 is a top plan view thereof; and, FIG. 7 is a bottom plan view thereof.

1 Claim, 7 Drawing Sheets



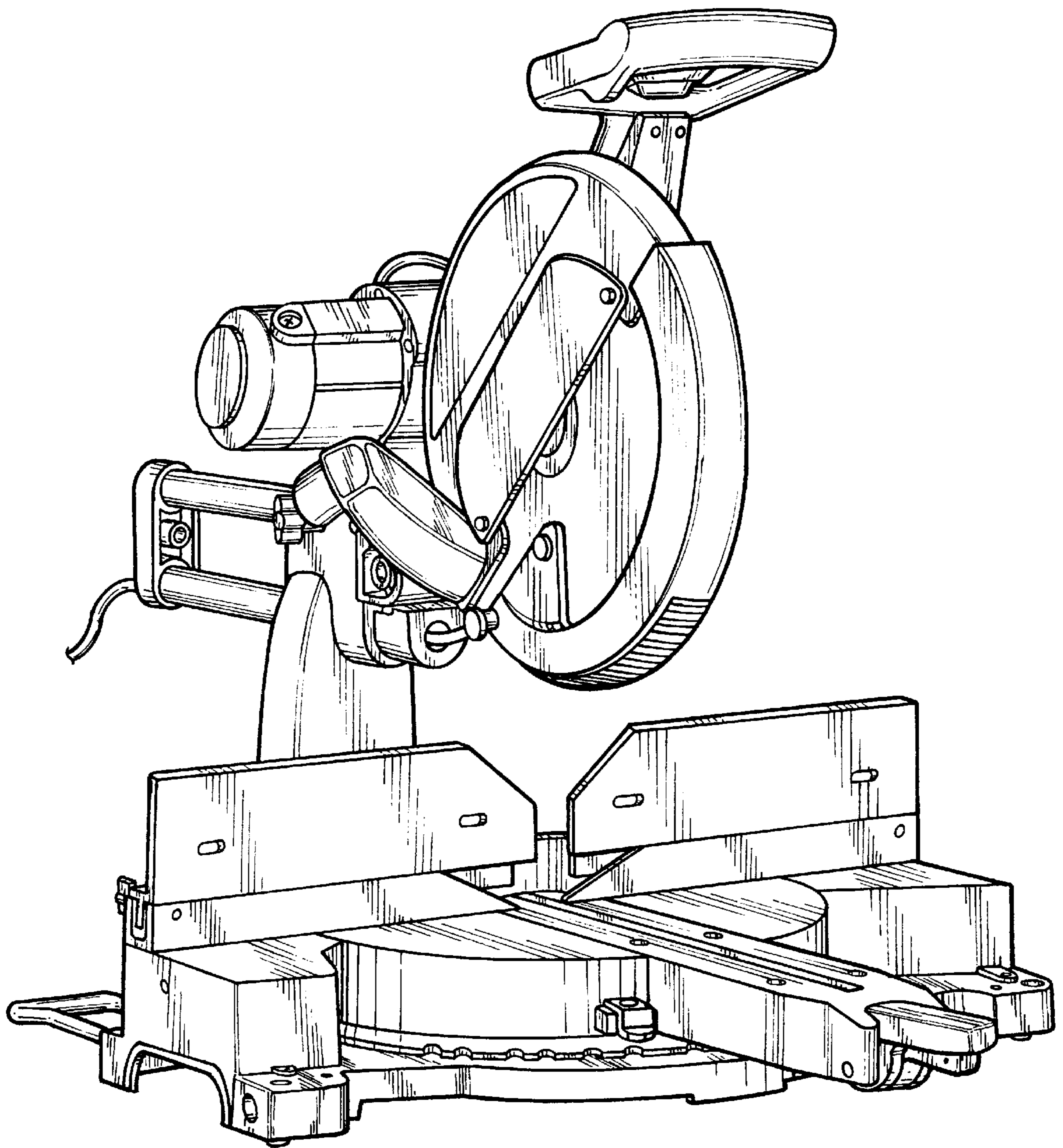


Fig - 1

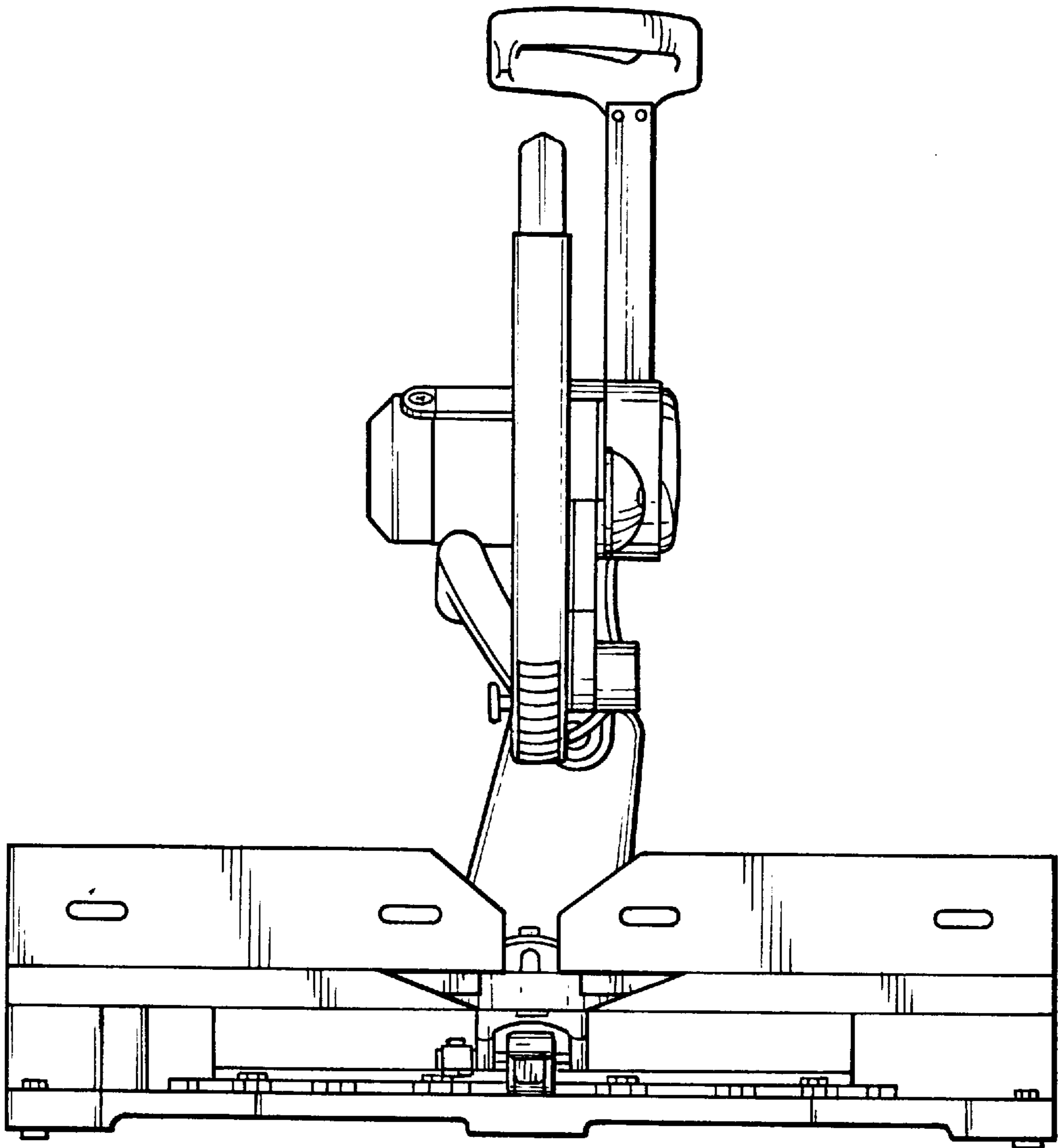
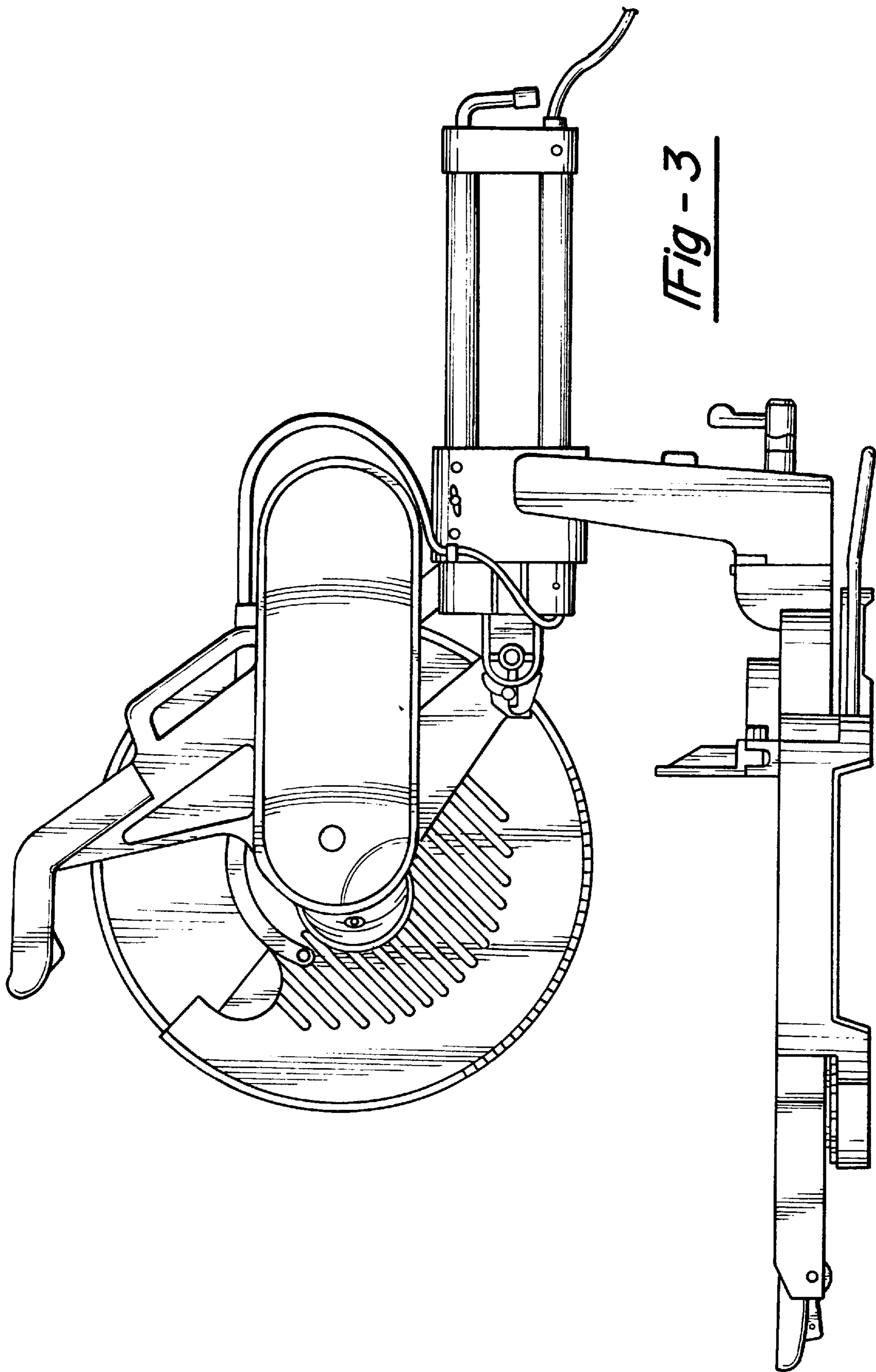


Fig - 2



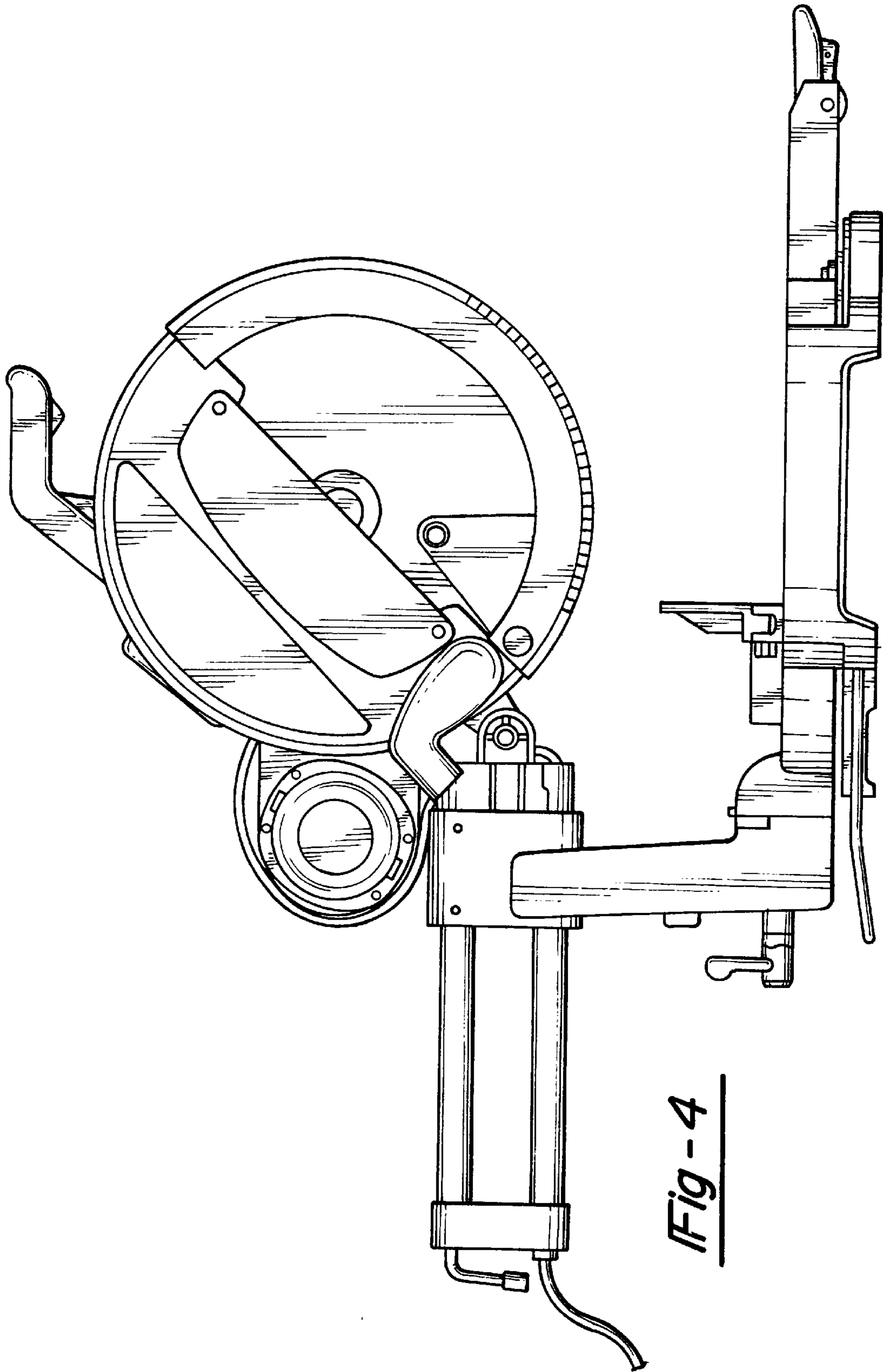


Fig - 4

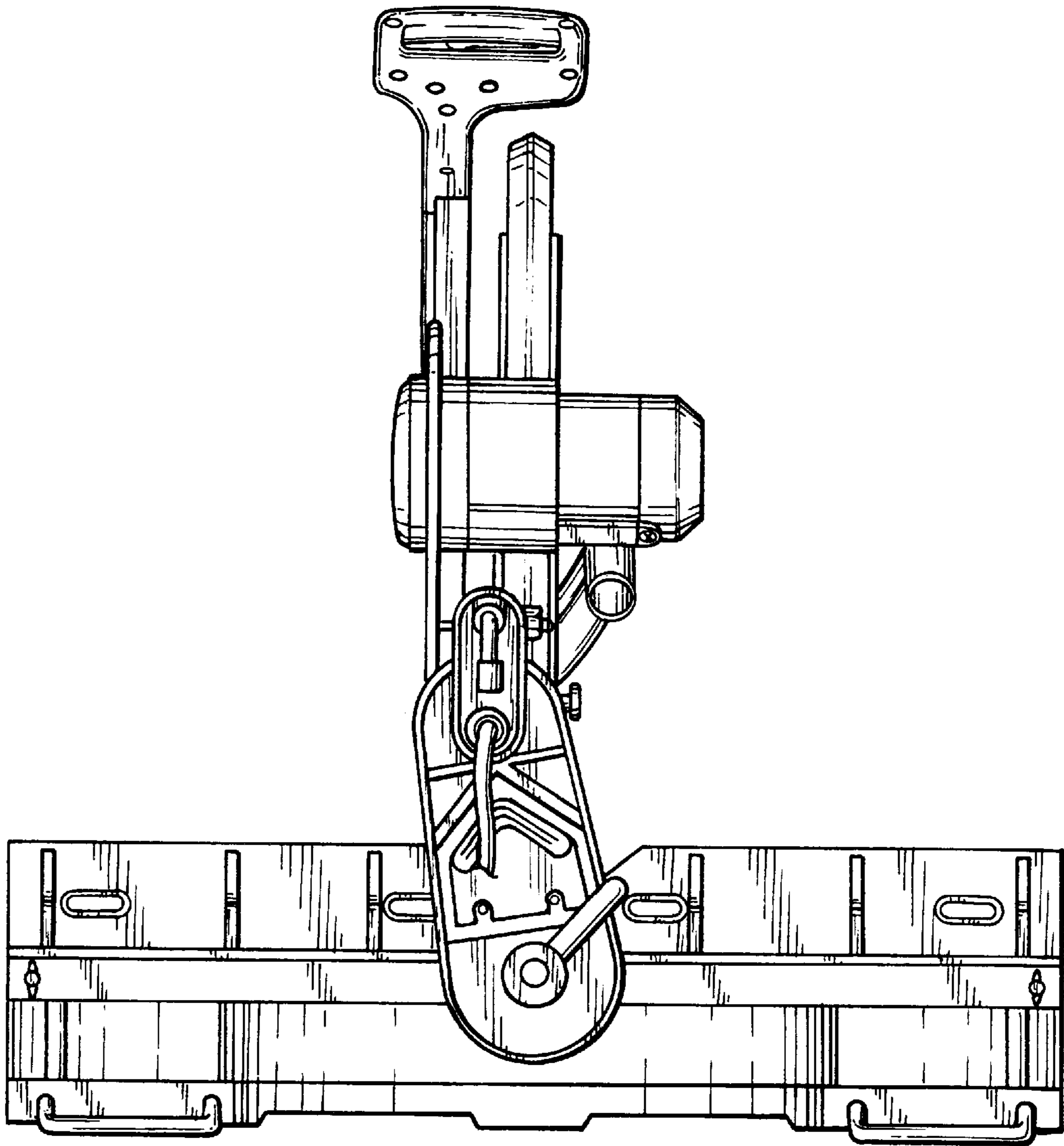


Fig - 5

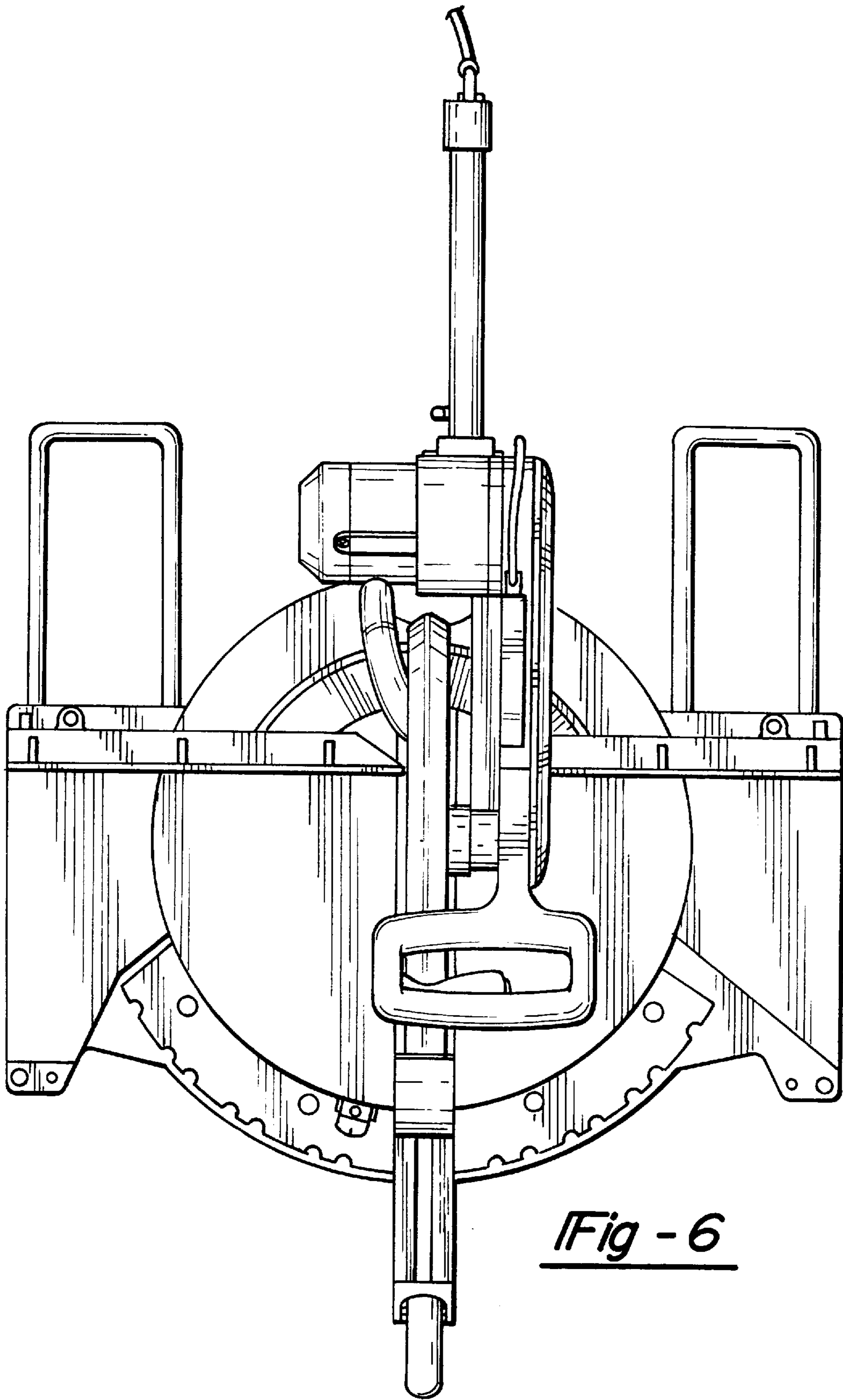


Fig - 6

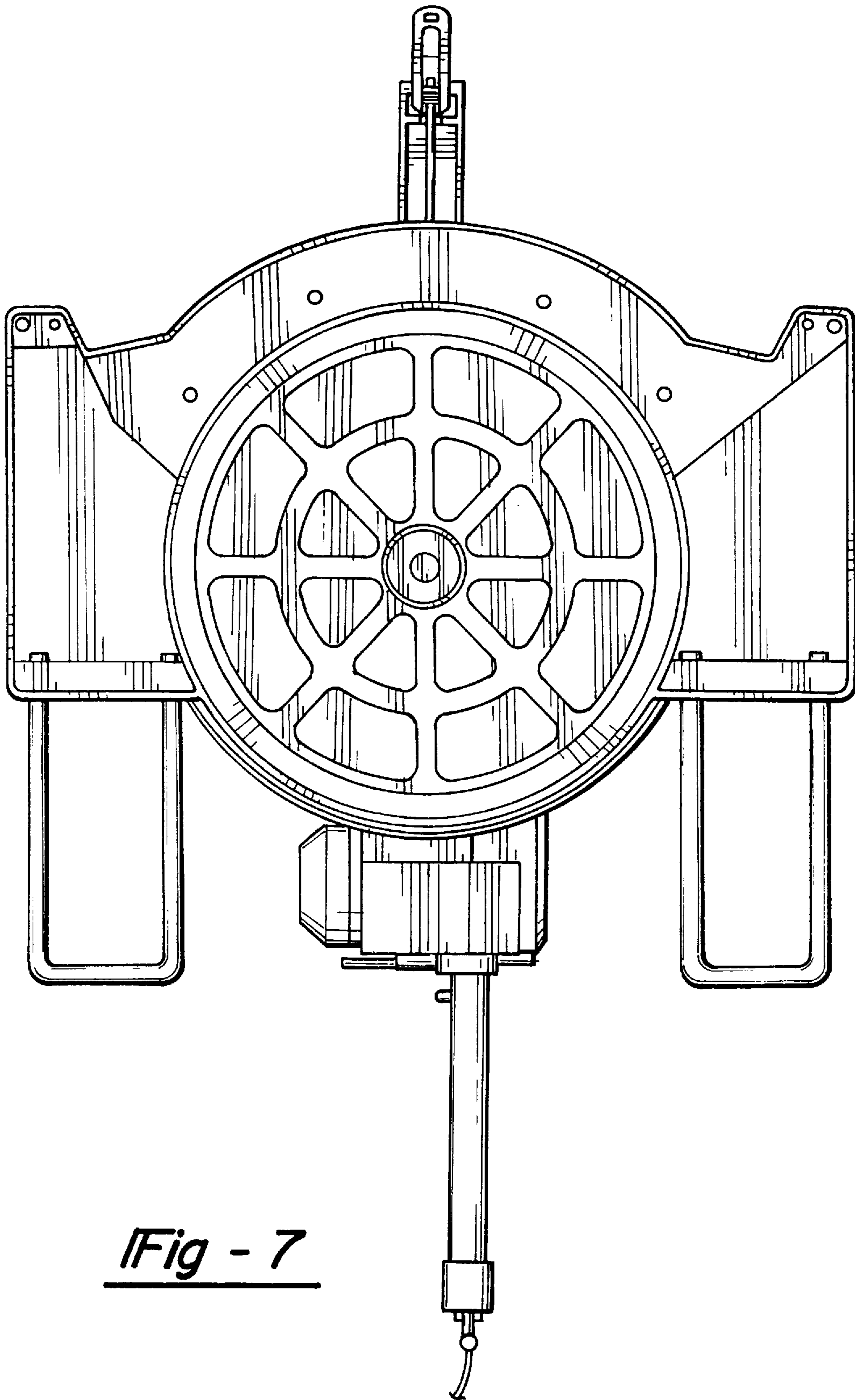


Fig - 7