



US00D400210S

United States Patent [19]

[11] **Patent Number: Des. 400,210**

Reynolds et al.

[45] **Date of Patent: **Oct. 27, 1998**

[54] **DIAPHRAGM PUMP**

*Primary Examiner—Ralf Seifert
Attorney, Agent, or Firm—Hill & Simpson*

[75] Inventors: **Steven M. Reynolds**, Lucas; **Brad Courson**, Mansfield; **Mark Frye**, Mansfield; **Greg Hughes**, Mansfield; **Curt Young**, Galion; **Ian Pratt**, Shelby, all of Ohio

[57] **CLAIM**

The ornamental design for a “diaphragm pump,” as shown and described.

[73] Assignee: **Warren Rupp, Inc.**, Mansfield, Ohio

DESCRIPTION

[**] Term: **14 Years**

[21] Appl. No.: **71,447**

FIG. 1 is a front perspective of a diaphragm pump of this invention;

[22] Filed: **May 29, 1997**

FIG. 2 is a front elevational view of the diaphragm pump of FIG. 1;

[51] **LOC (6) Cl. 15-02**

[52] **U.S. Cl. D15/7**

FIG. 3 is a rear elevational view of the diaphragm pump of FIG. 1;

[58] **Field of Search D15/7-9; 417/393-397, 417/454, 70; 92/123, 98 R**

FIG. 4 is a side view from the right side of FIG. 1 of the diaphragm pump of this invention;

[56] **References Cited**

U.S. PATENT DOCUMENTS

D. 275,858	10/1984	Wilden	D15/7
D. 331,412	12/1992	Wilden	D15/7
D. 370,488	6/1996	Kozumpik, Jr. et al.	D15/7
D. 380,218	6/1997	McKee et al.	D15/7

FIG. 5 is a view similar to FIG. 4, from the opposite side thereof;

OTHER PUBLICATIONS

Brochure entitled “Quadriseal”, promoted by Sonoco Capseals (2 pages).
Catalog entitled “SandPIPER Spill Containment Group—Sealless Diaphragm Pumps”, distributed by Warren Rupp (1995).

FIG. 6 is a top plan view of the diaphragm pump of FIG. 1;

FIG. 7 is a bottom plan view of the diaphragm pump of FIG. 1; and,

FIG. 8 is a front perspective view of a second embodiment of the diaphragm pump of this invention.

1 Claim, 8 Drawing Sheets

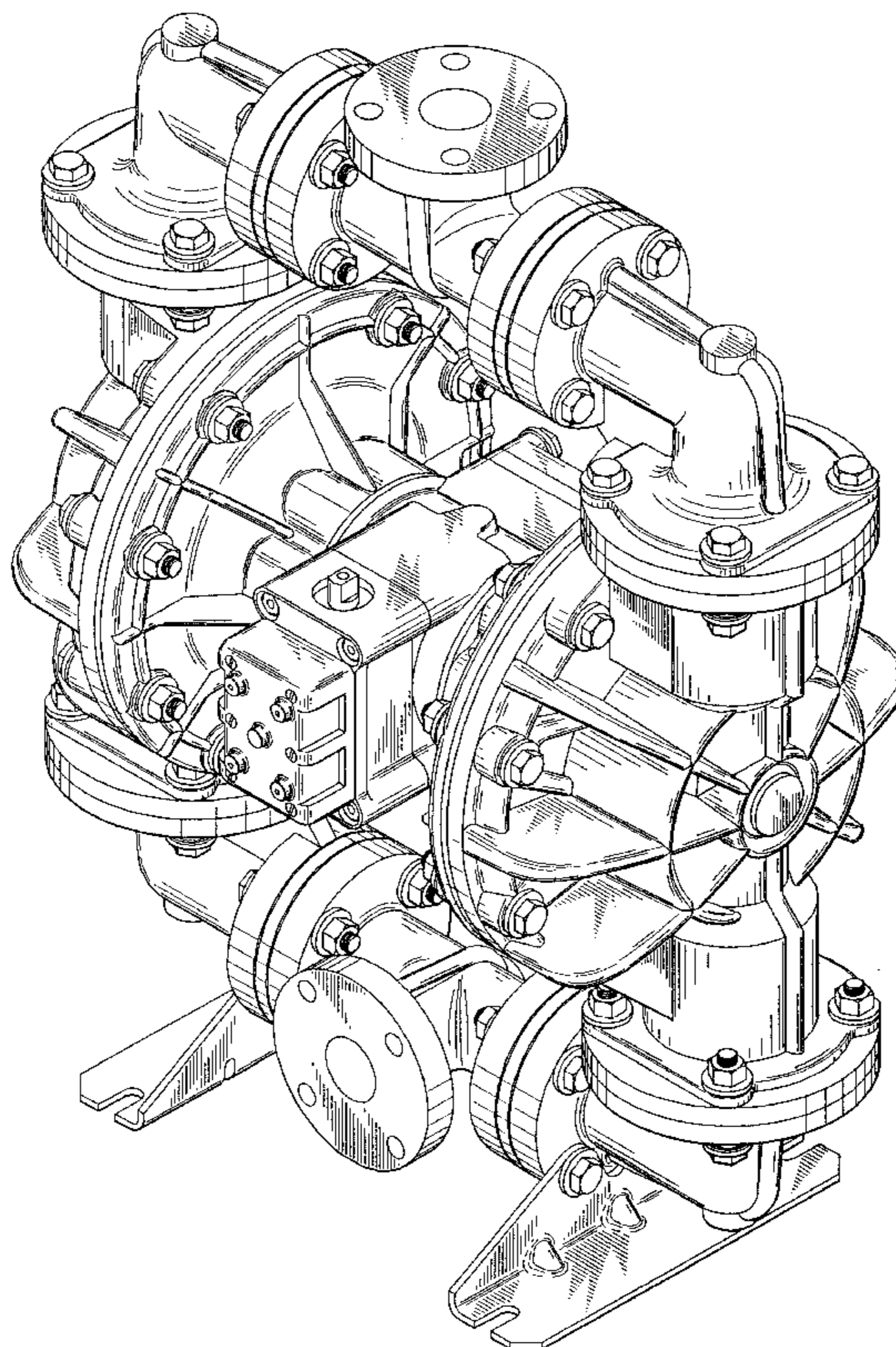


FIG. 1

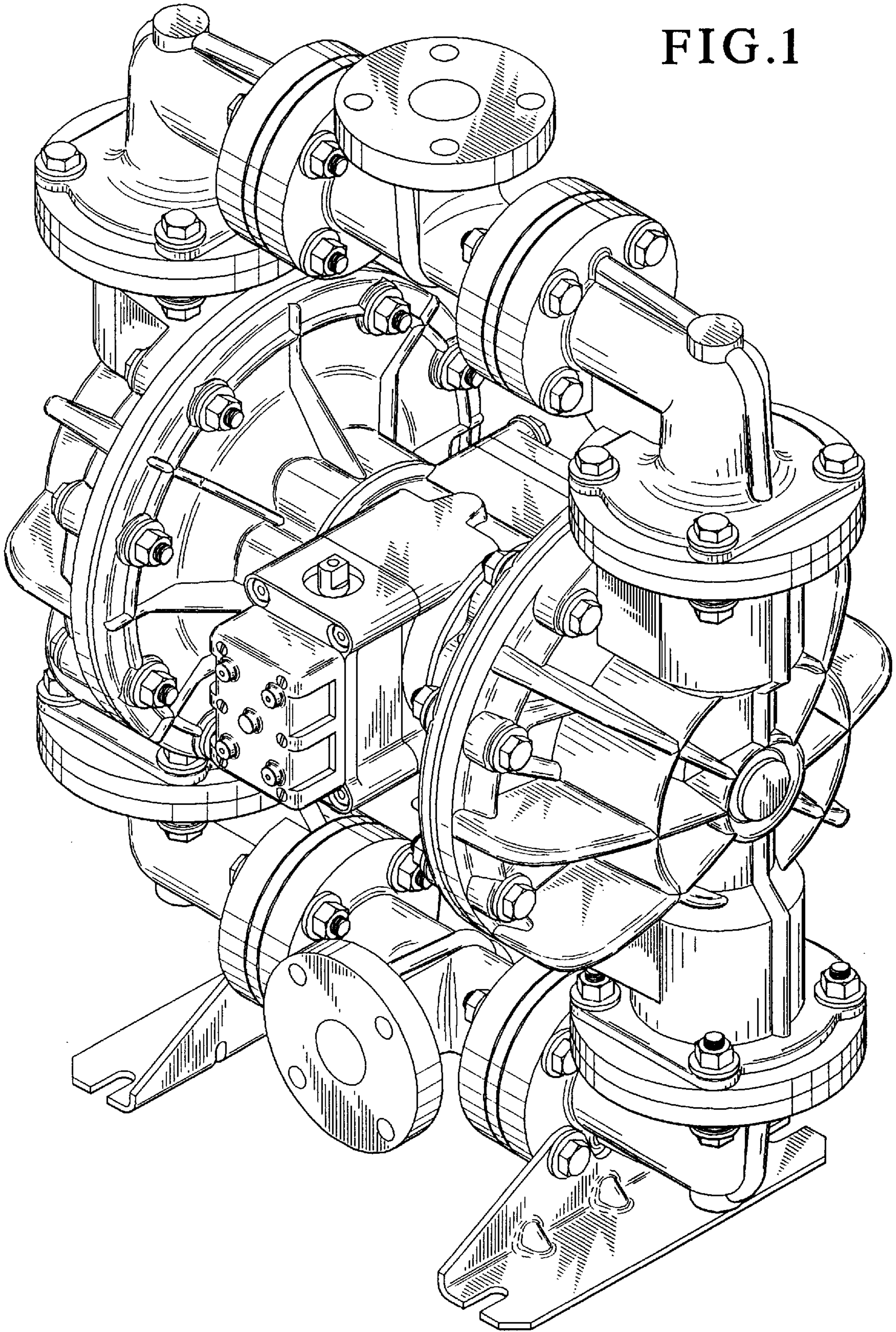


FIG. 2

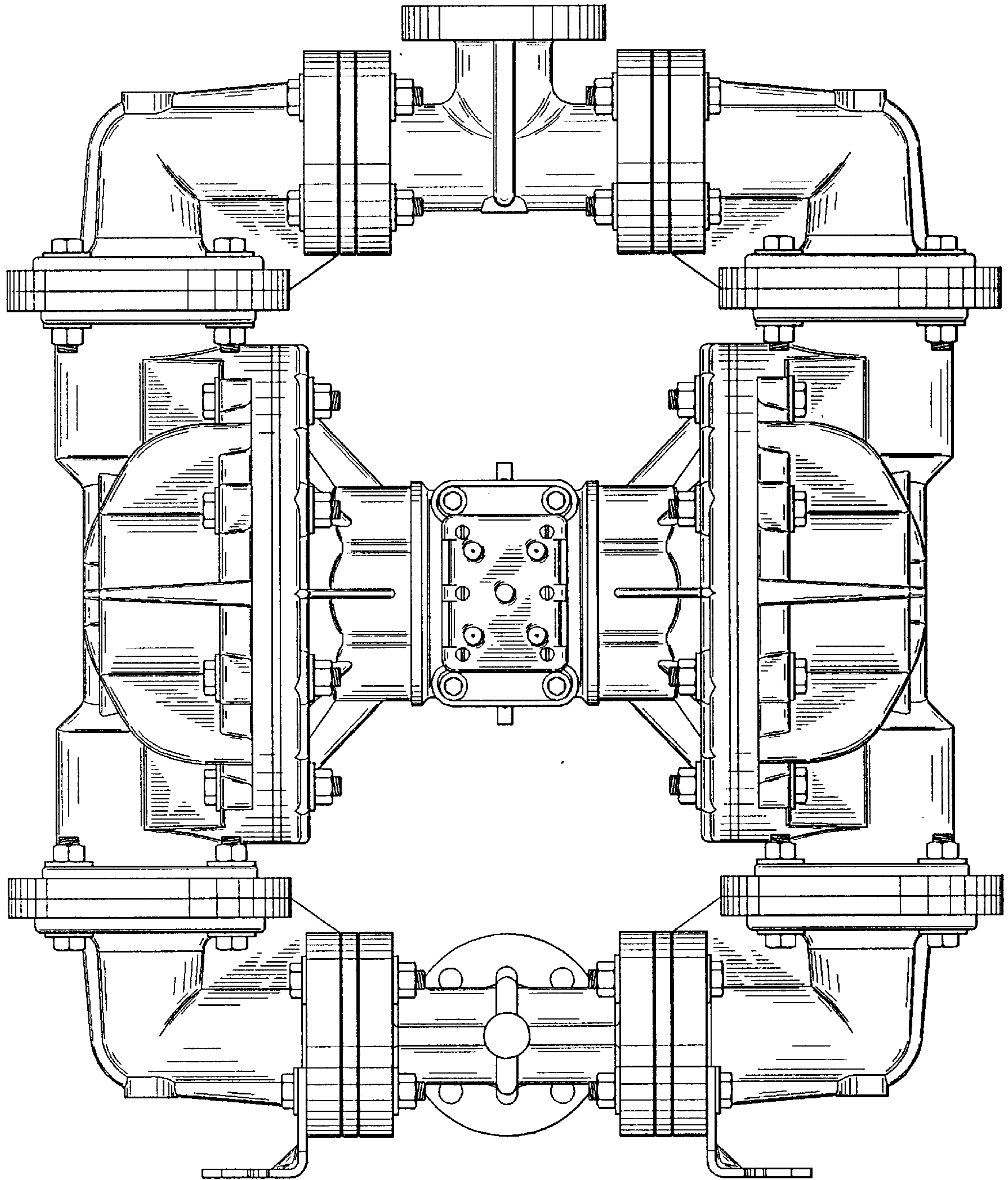


FIG. 3

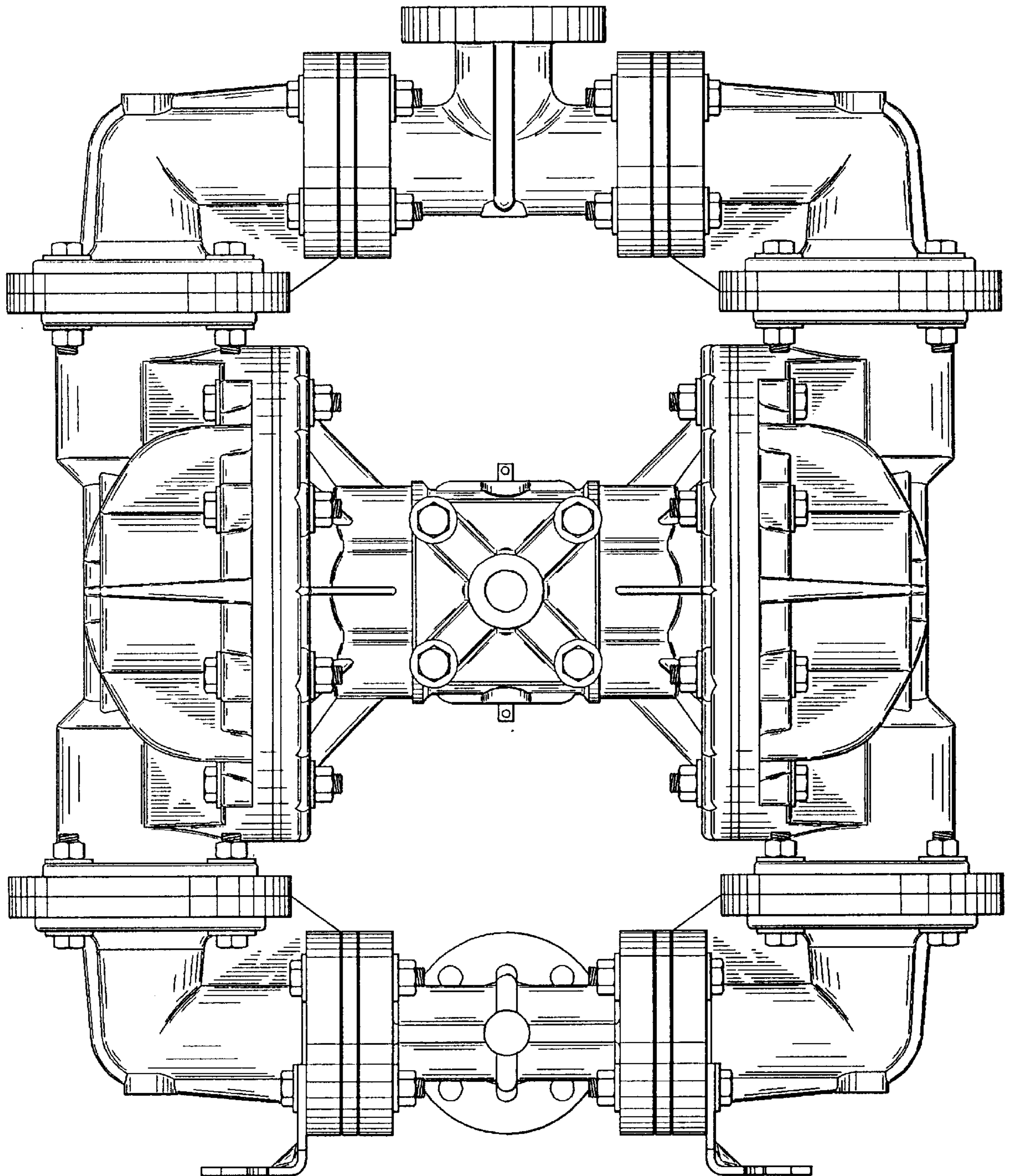


FIG. 4

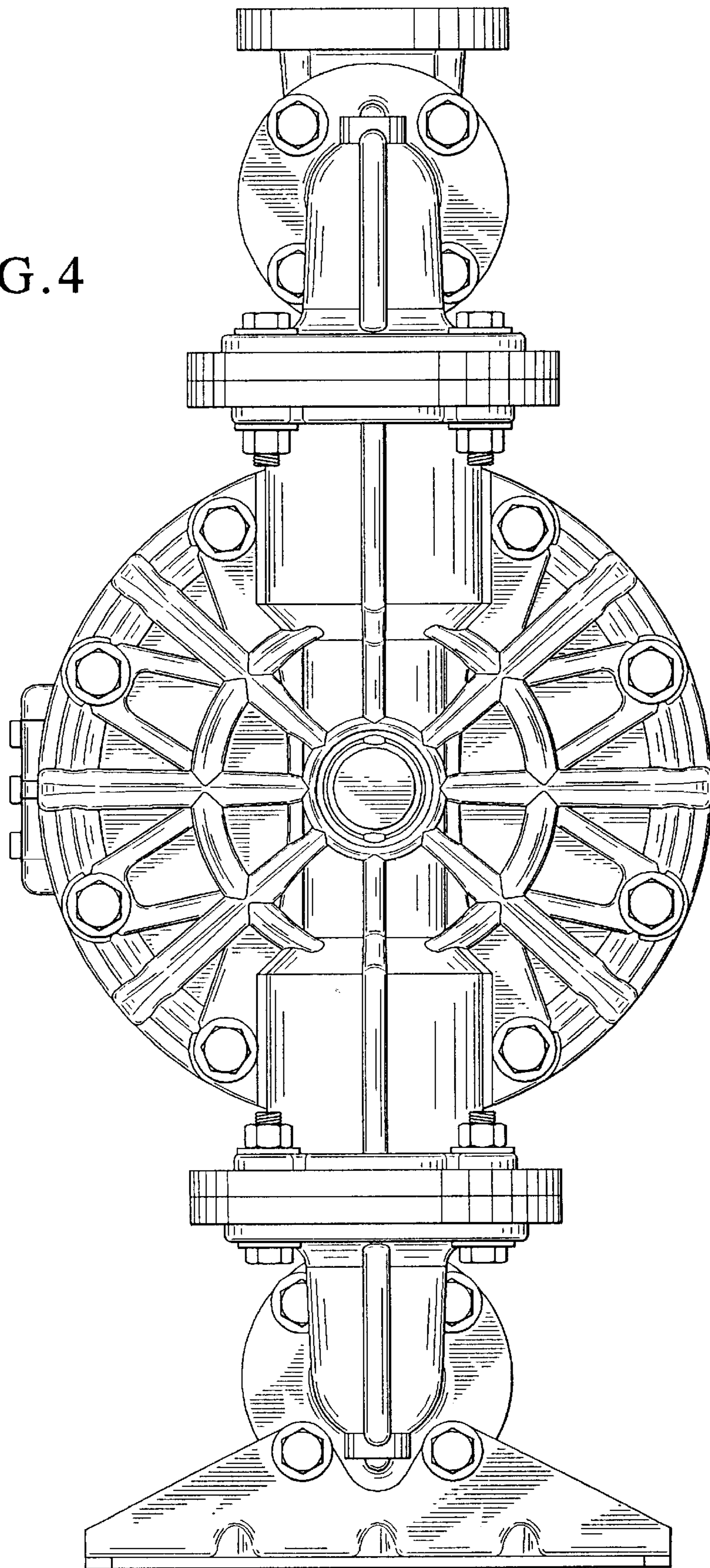
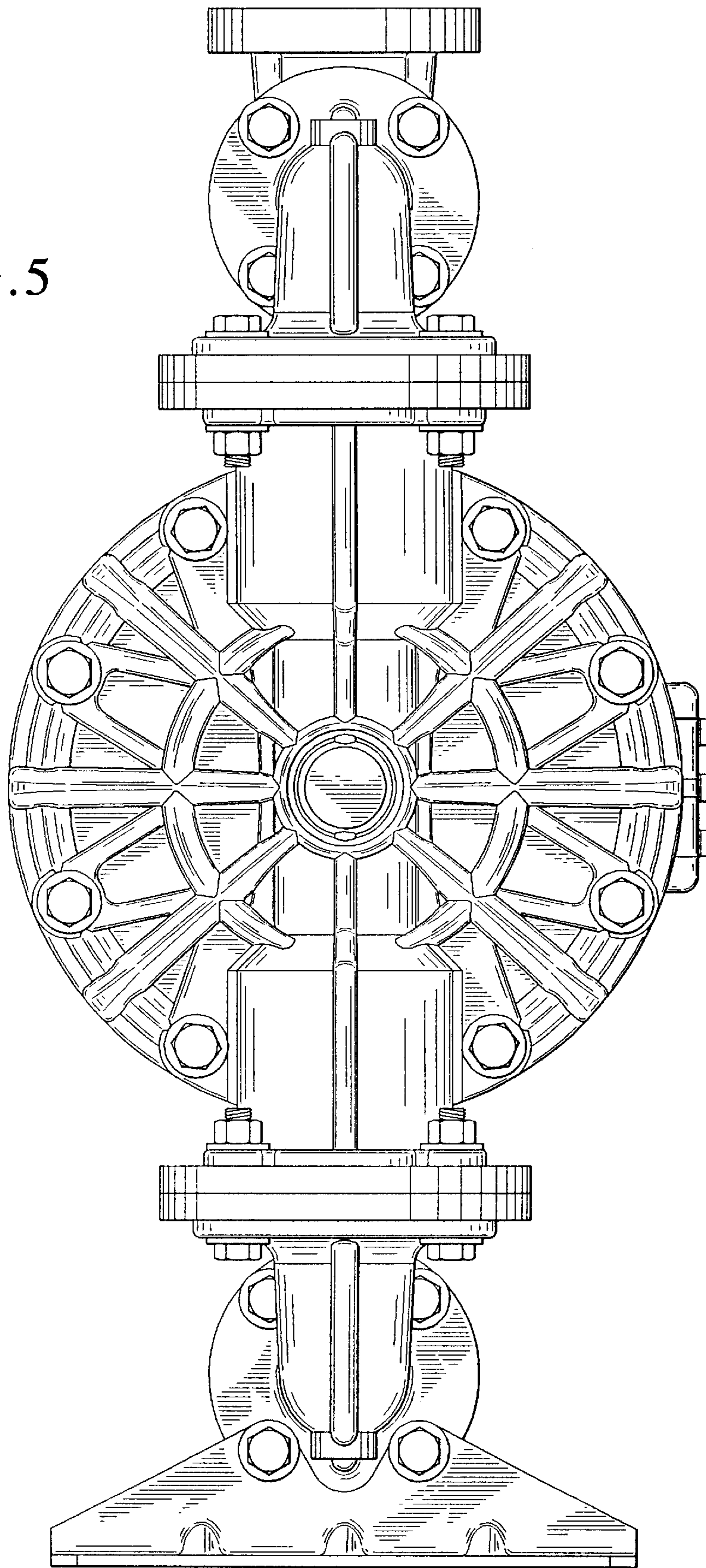


FIG. 5



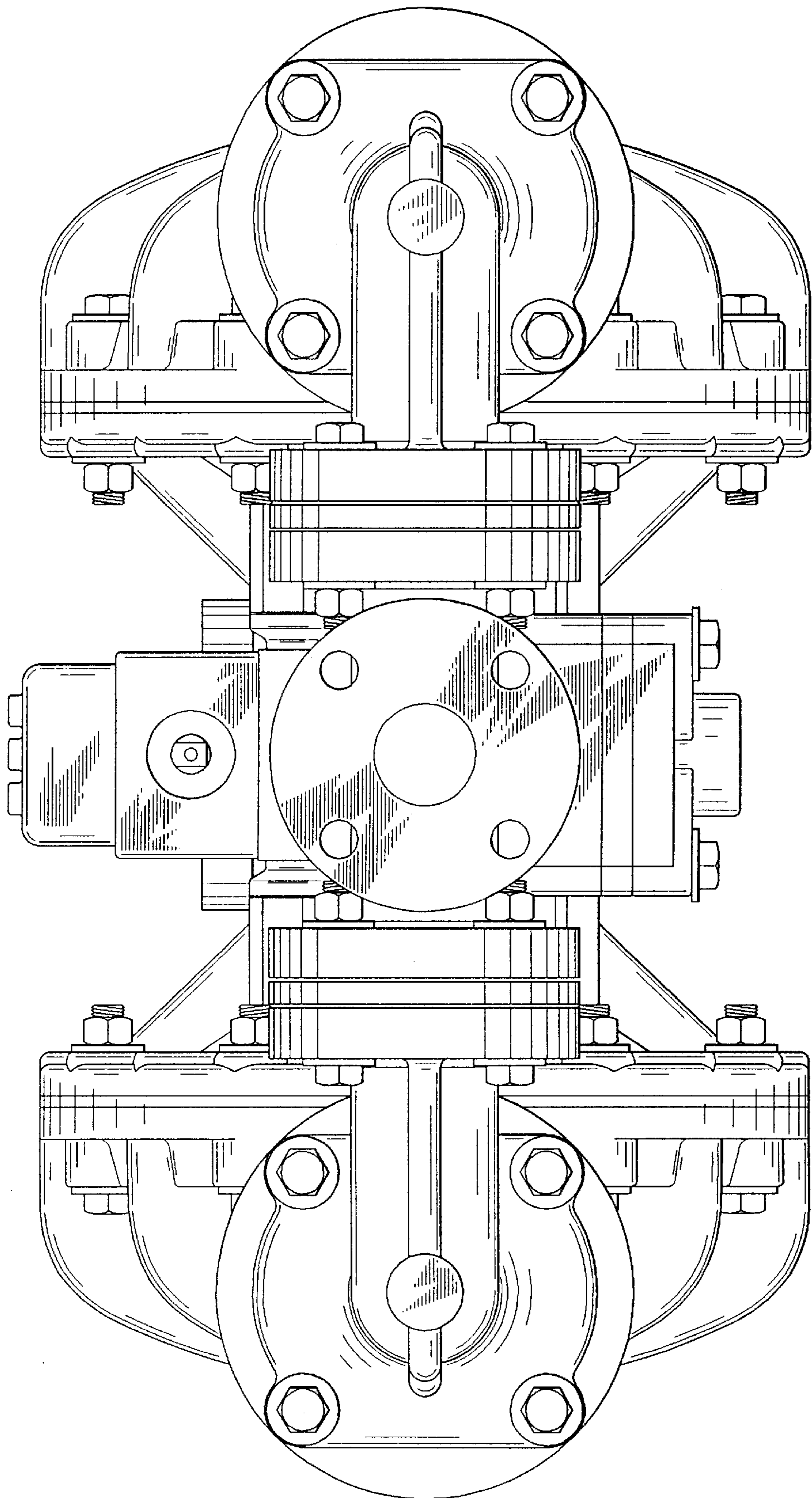


FIG. 6

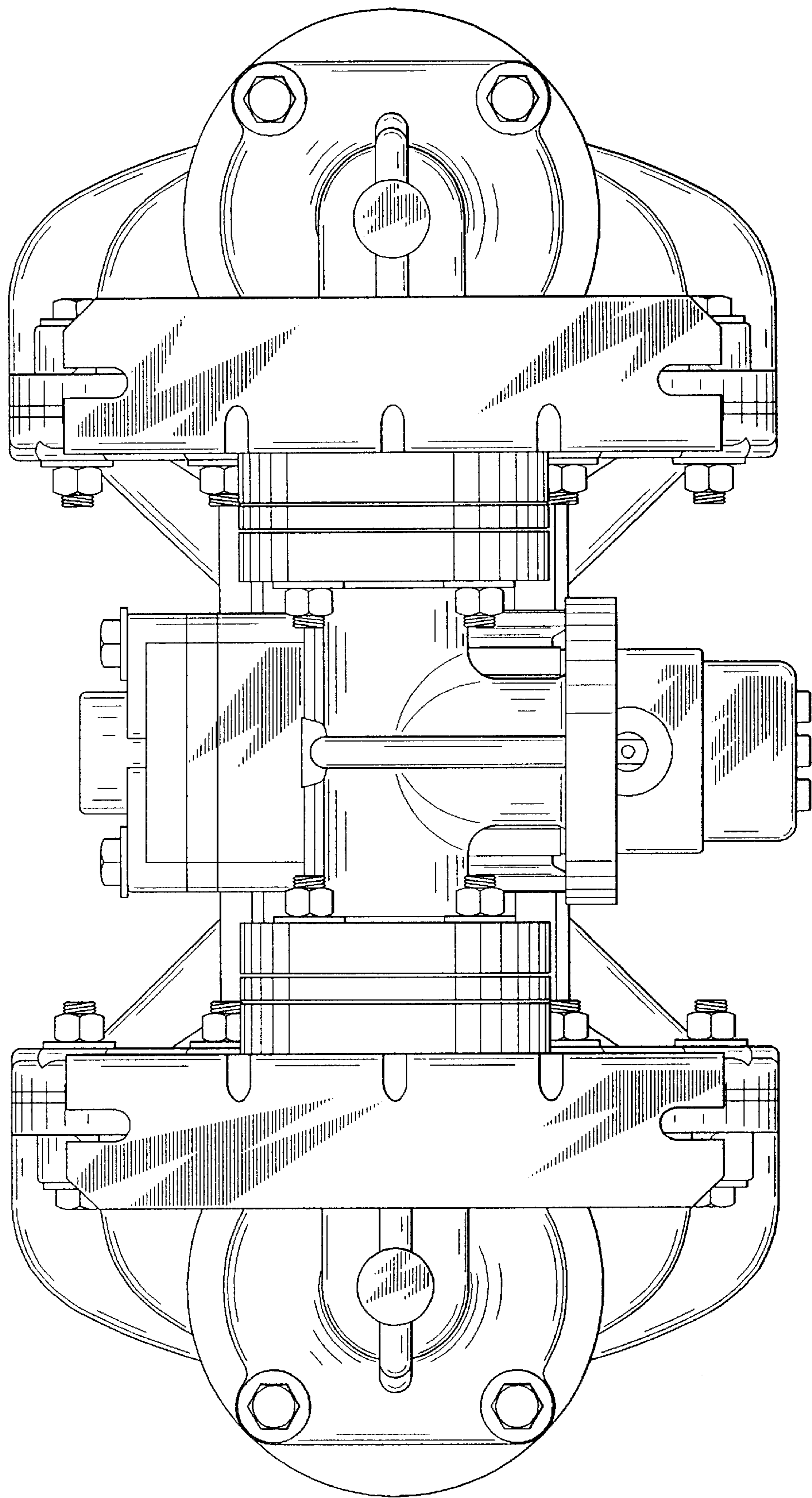


FIG. 7

FIG. 8

