



US00D400208S

United States Patent [19]

Fenner

[11] **Patent Number: Des. 400,208**

[45] **Date of Patent: **Oct. 27, 1998**

[54] **COMPACT DIGITAL SATELLITE SYSTEM RECEIVER**

D. 351,154 10/1994 Fujino D14/125
D. 390,217 2/1998 Prstojevich et al. D14/125

[75] Inventor: **Knut Thomas Fenner**, Westfield, N.J.

Primary Examiner—Sandra L. Morris
Assistant Examiner—Richelle Shelton
Attorney, Agent, or Firm—Jay H. Maioli

[73] Assignees: **Sony Corporation**, Tokyo; **Sony Corporation of America**, New York, N.Y.

[57] **CLAIM**

[**] Term: **14 Years**

The ornamental design for a compact digital satellite system receiver, as shown and described.

[21] Appl. No.: **75,848**

DESCRIPTION

[22] Filed: **Aug. 29, 1997**

FIG. 1 is a top, front and left-side perspective view of a compact digital satellite system receiver showing my new design;

[51] **LOC (6) Cl.** **14-03**

[52] **U.S. Cl.** **D14/125**

FIG. 2 is a front elevational view thereof, the rear thereof being void of ornamentation;

[58] **Field of Search** D14/124, 125,
D14/239, 135, 136; 455/3.2

FIG. 3 is a left-side elevational view thereof, the right-side being a mirror image thereof;

[56] **References Cited**

FIG. 4 is a top plan view thereof; and,

U.S. PATENT DOCUMENTS

FIG. 5 is a bottom plan view thereof.

D. 345,970 4/1994 Kawamoto D14/125

1 Claim, 4 Drawing Sheets

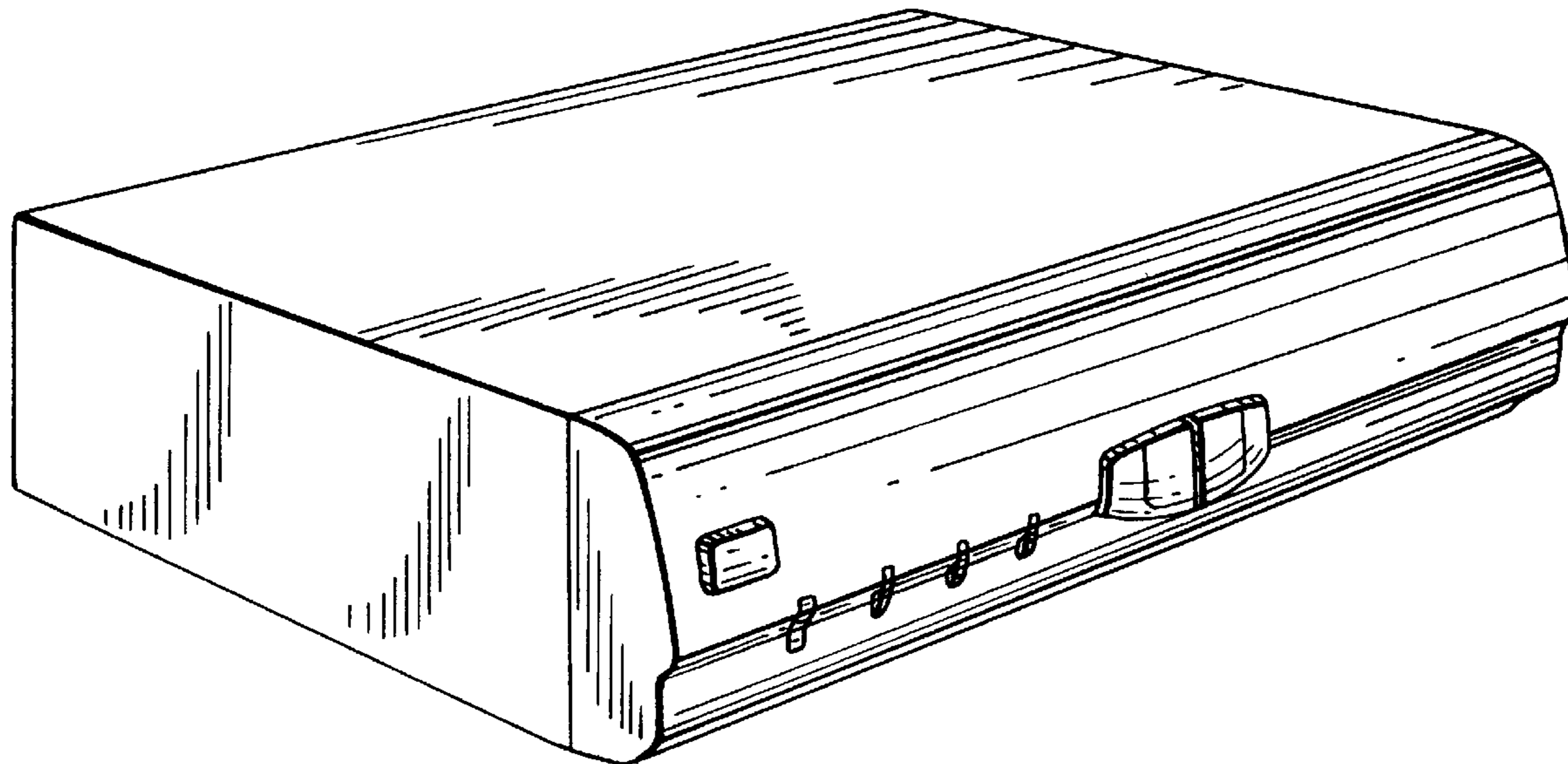


FIG. 1

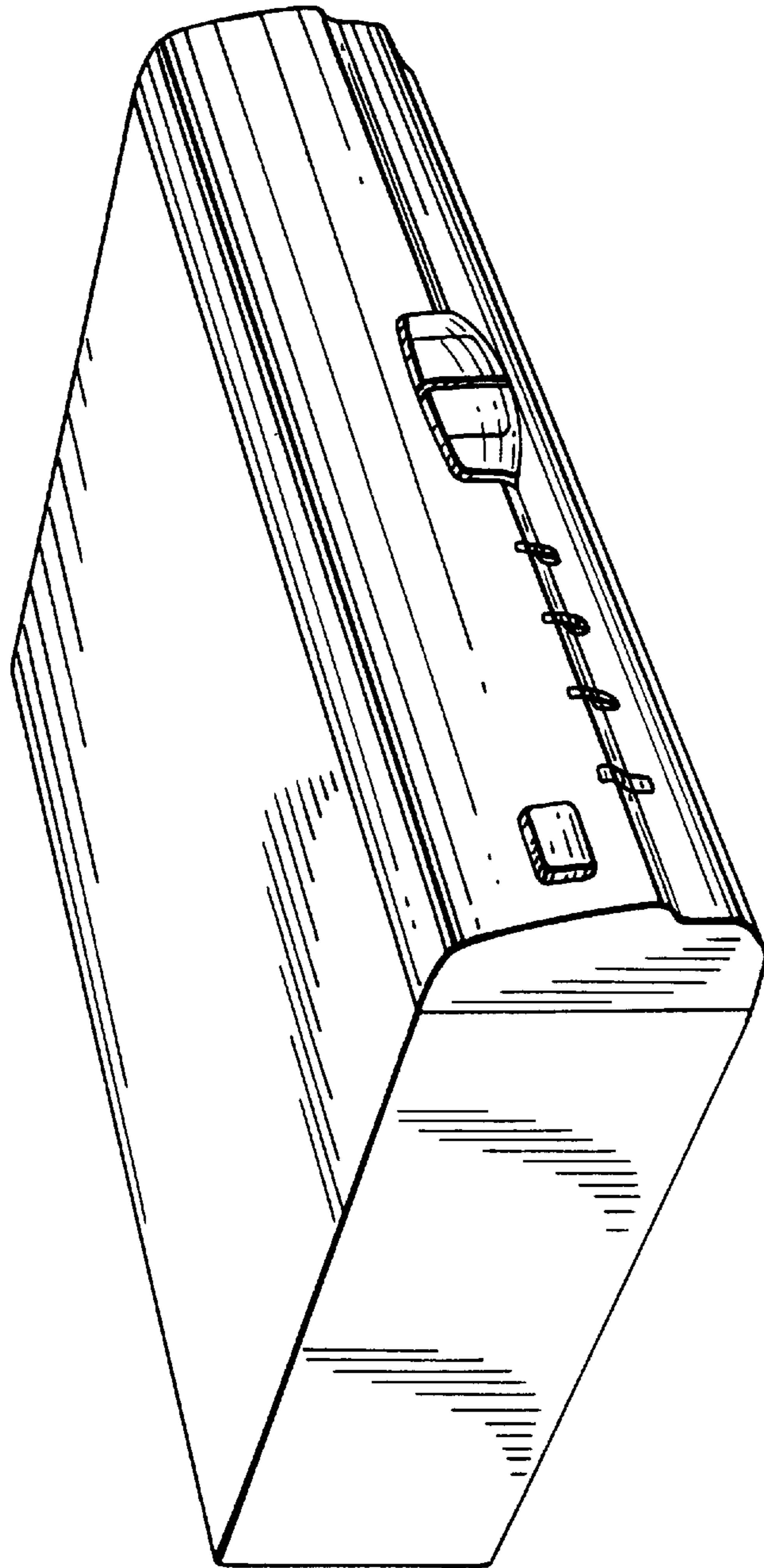


FIG. 2

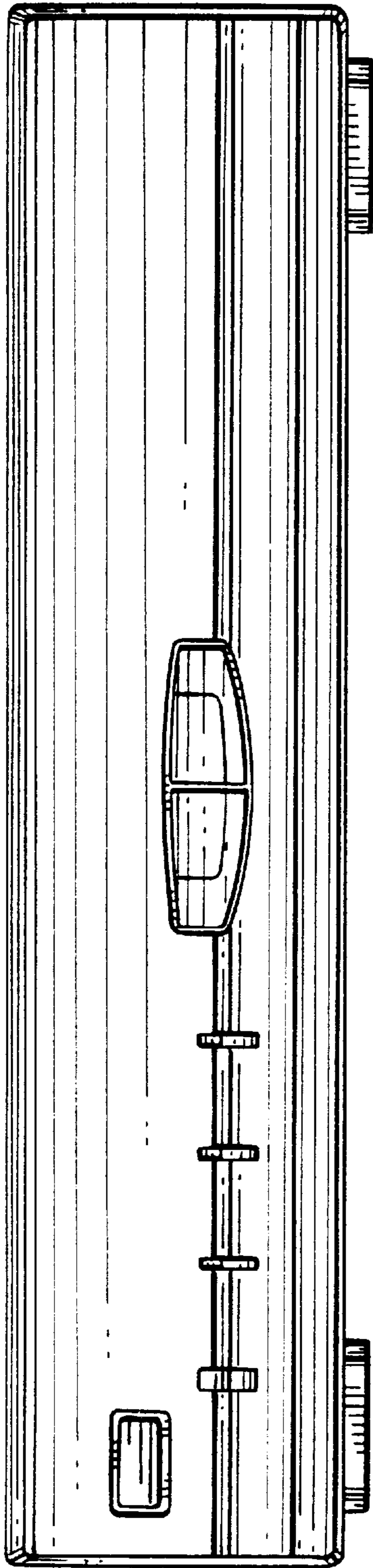
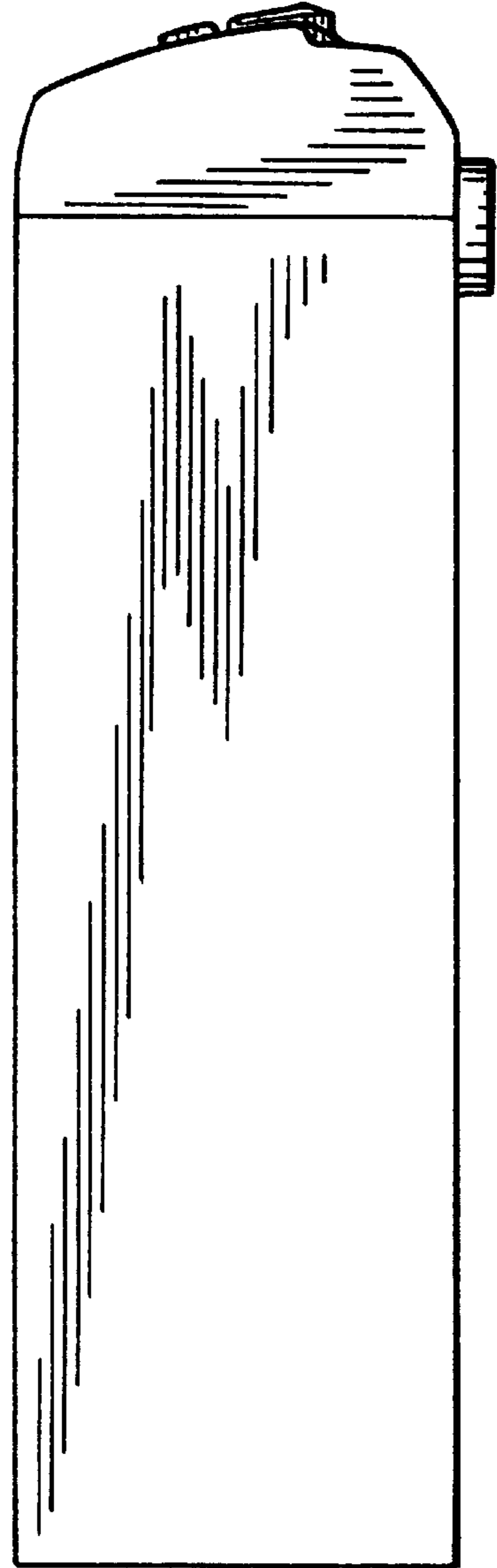


FIG. 3



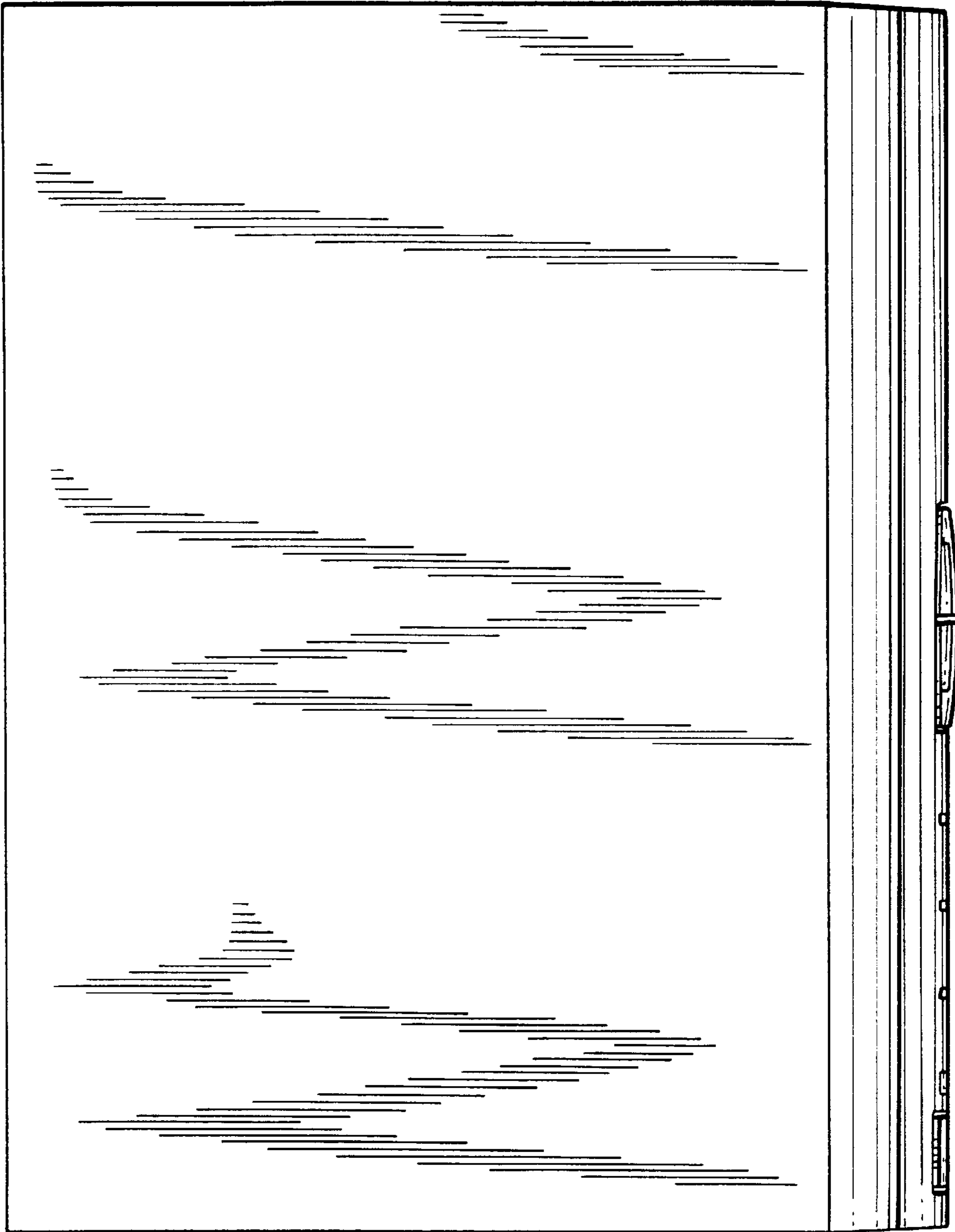


FIG. 4

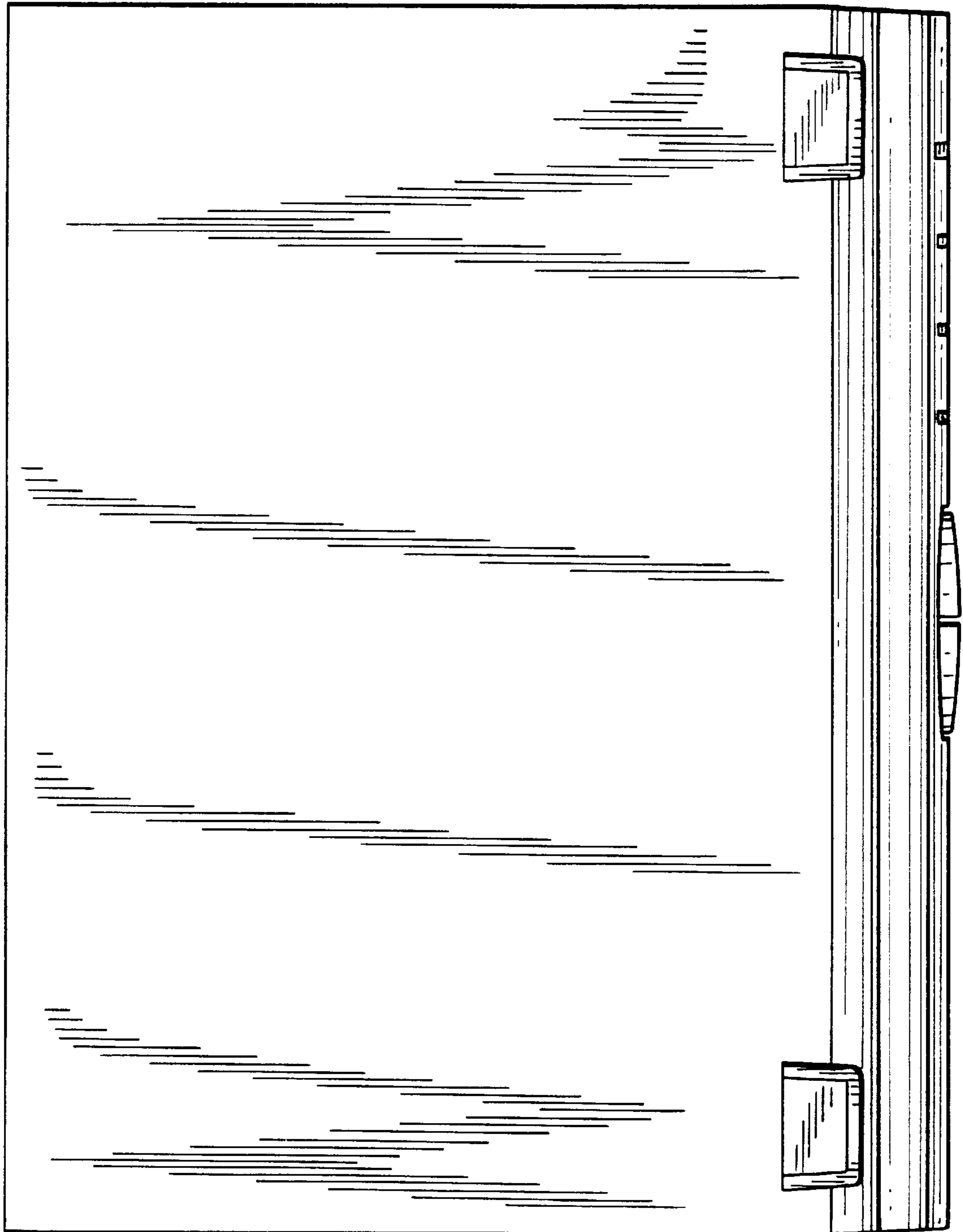


FIG. 5