



US00D400202S

United States Patent [19]
Kikutani

[11] **Patent Number: Des. 400,202**

[45] **Date of Patent: **Oct. 27, 1998**

[54] **VIDEO TAPE RECORDER**

[75] Inventor: **Fumitaka Kikutani**, Tokyo, Japan

[73] Assignee: **Sony Corporation**, Tokyo, Japan

[**] Term: **14 Years**

[21] Appl. No.: **60,124**

[22] Filed: **Sep. 23, 1996**

[51] **LOC (6) Cl.** **14-01**

[52] **U.S. Cl.** **D14/135; D16/237**

[58] **Field of Search** D14/124, 135,
D14/136, 239, 299; D16/237, 208; 386/46,
38, 117, 118; 348/373-376; 358/906, 909.1;
H04N 5/225

[56] **References Cited**

U.S. PATENT DOCUMENTS

D. 291,433 8/1987 Inai et al. D16/237

FOREIGN PATENT DOCUMENTS

150474 7/1986 Japan H04N 5/225
260771 10/1990 Japan H04N 5/225

Primary Examiner—Sandra L. Morris
Assistant Examiner—Richelle Shelton
Attorney, Agent, or Firm—Foley & Lardner

[57] **CLAIM**

The ornamental design for a video tape recorder, as shown and described.

DESCRIPTION

FIG. 1 is a perspective view of a first embodiment of a video

tape recorder showing my new design;

FIG. 2 is a perspective view thereof, wherein the cover portion is in an open position;

FIG. 3 is a top plan view thereof;

FIG. 4 is a left side elevational view thereof;

FIG. 5 is a front elevational view thereof;

FIG. 6 is a bottom plan view thereof;

FIG. 7 is a right side elevational view thereof;

FIG. 8 is a rear elevational view thereof;

FIG. 9 is a perspective view of a second embodiment of a video tape recorder showing my new design;

FIG. 10 is a perspective view of the embodiment of FIG. 9, wherein the cover portion is in an open position;

FIG. 11 is a top plan view of the embodiment of FIG. 9;

FIG. 12 is a left side elevational view of the embodiment of FIG. 9;

FIG. 13 is a front elevational view of the embodiment of FIG. 9;

FIG. 14 is a bottom plan view of the embodiment of FIG. 9;

FIG. 15 is a right side elevational view of the embodiment of FIG. 9; and,

FIG. 16 is a rear elevational view of the embodiment of FIG. 9.

1 Claim, 6 Drawing Sheets

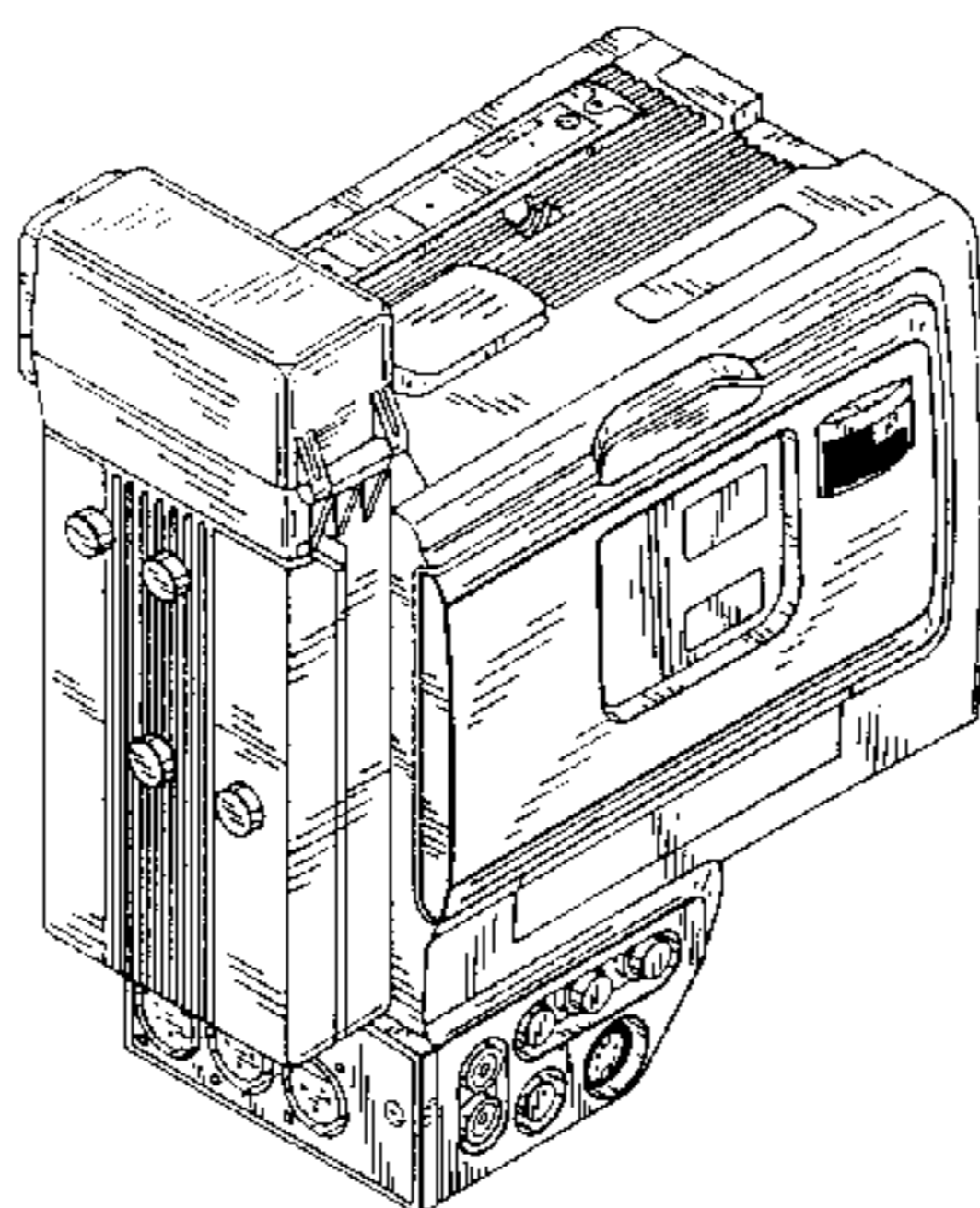
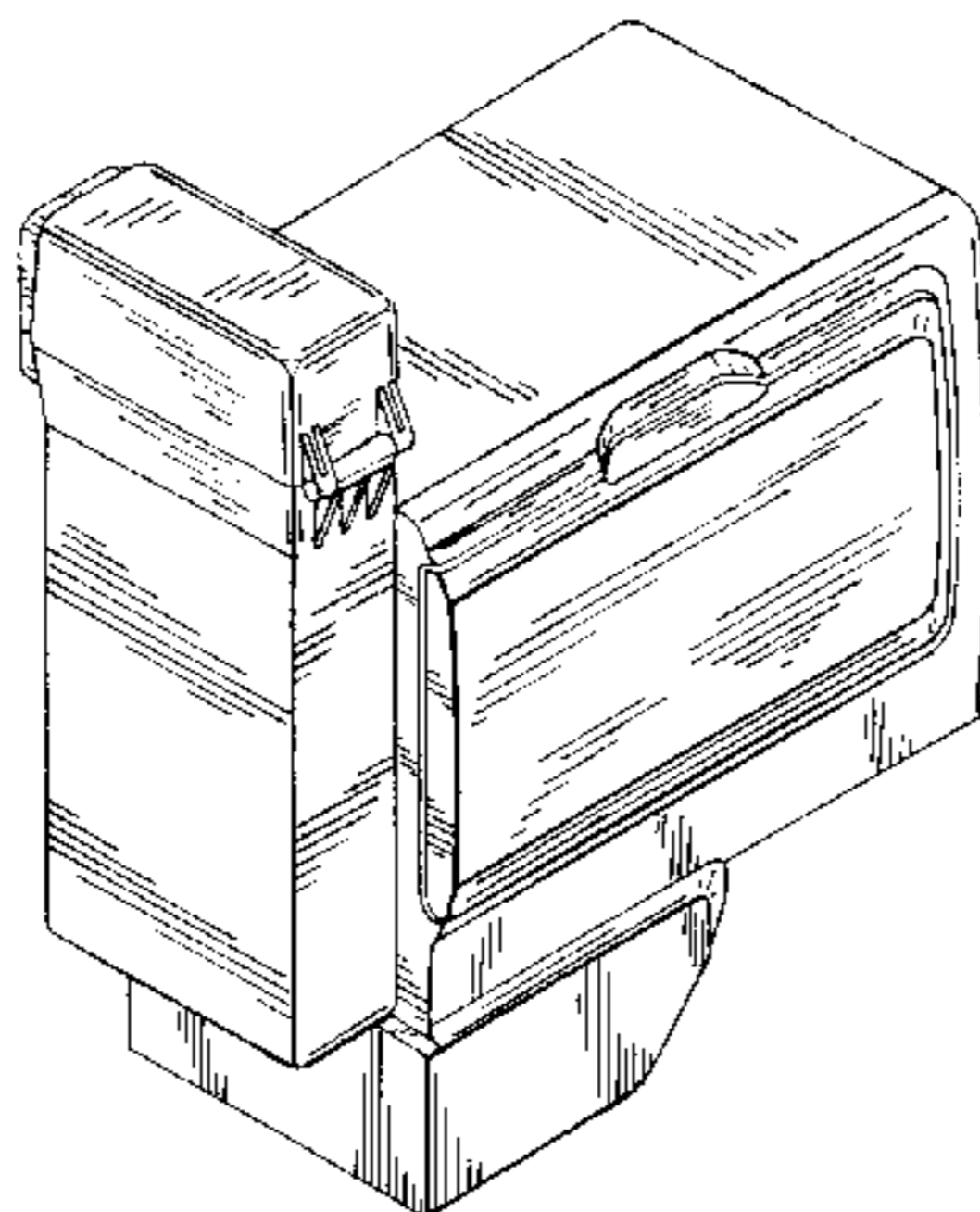


FIG. 2

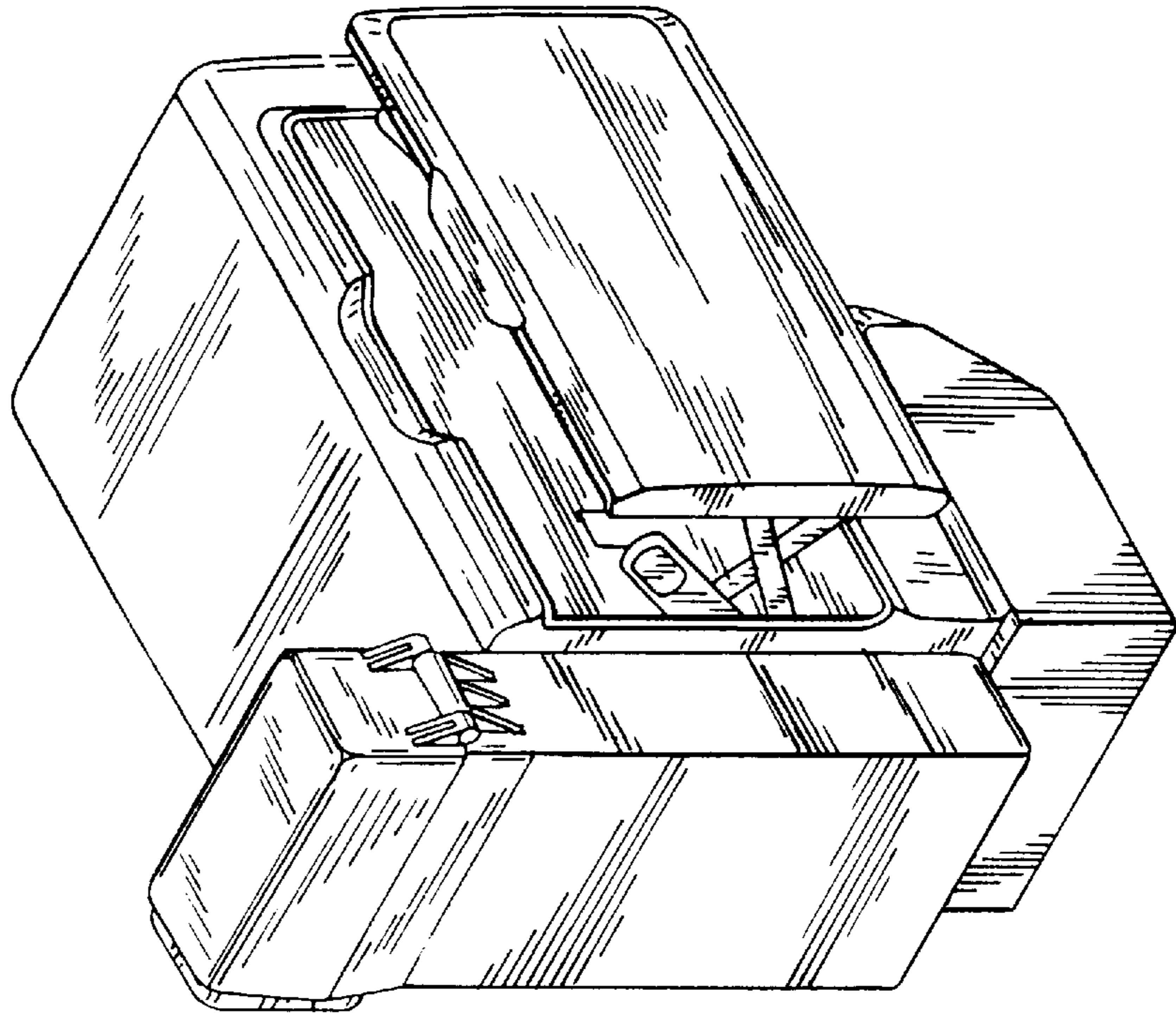


FIG. 1

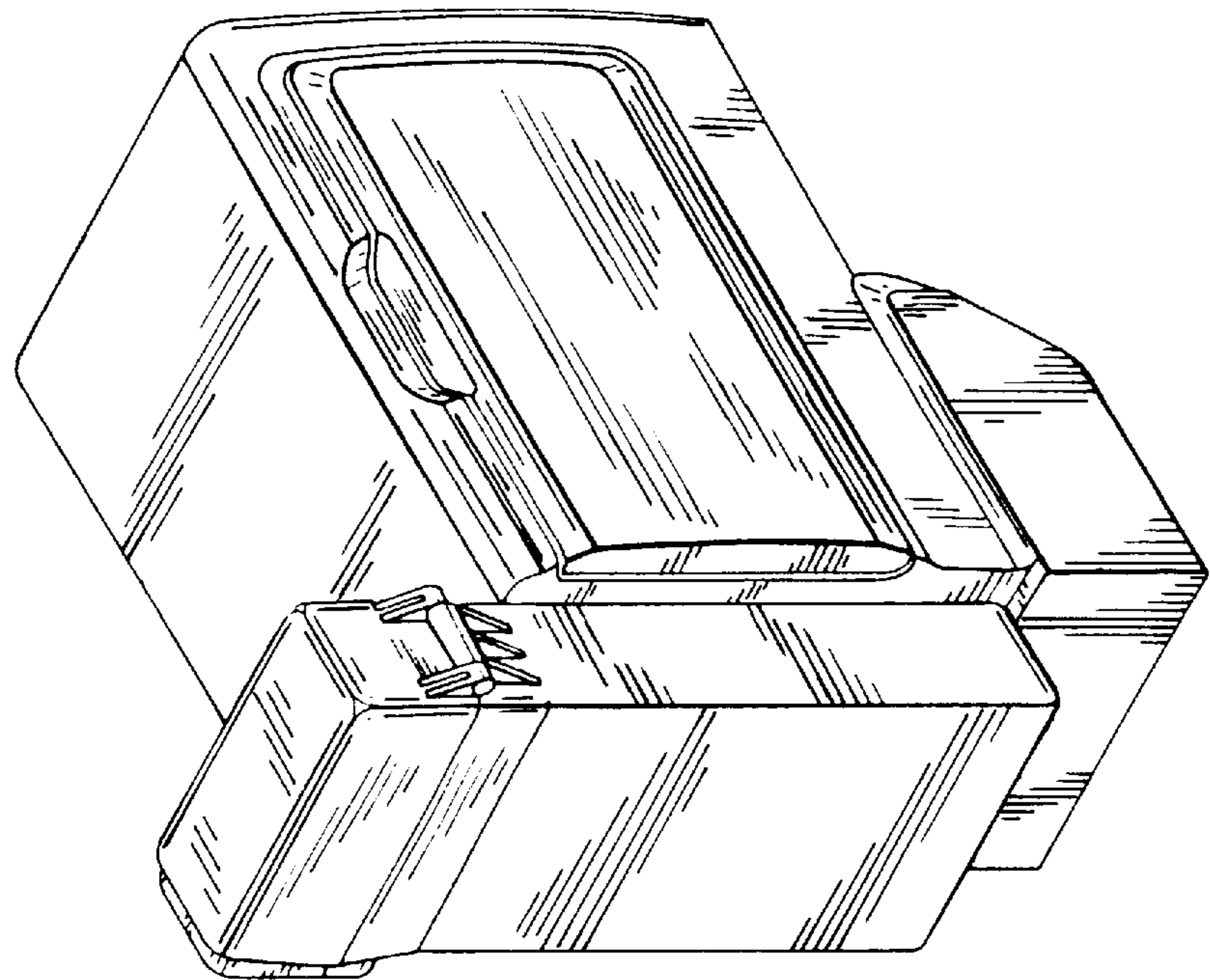


FIG. 5

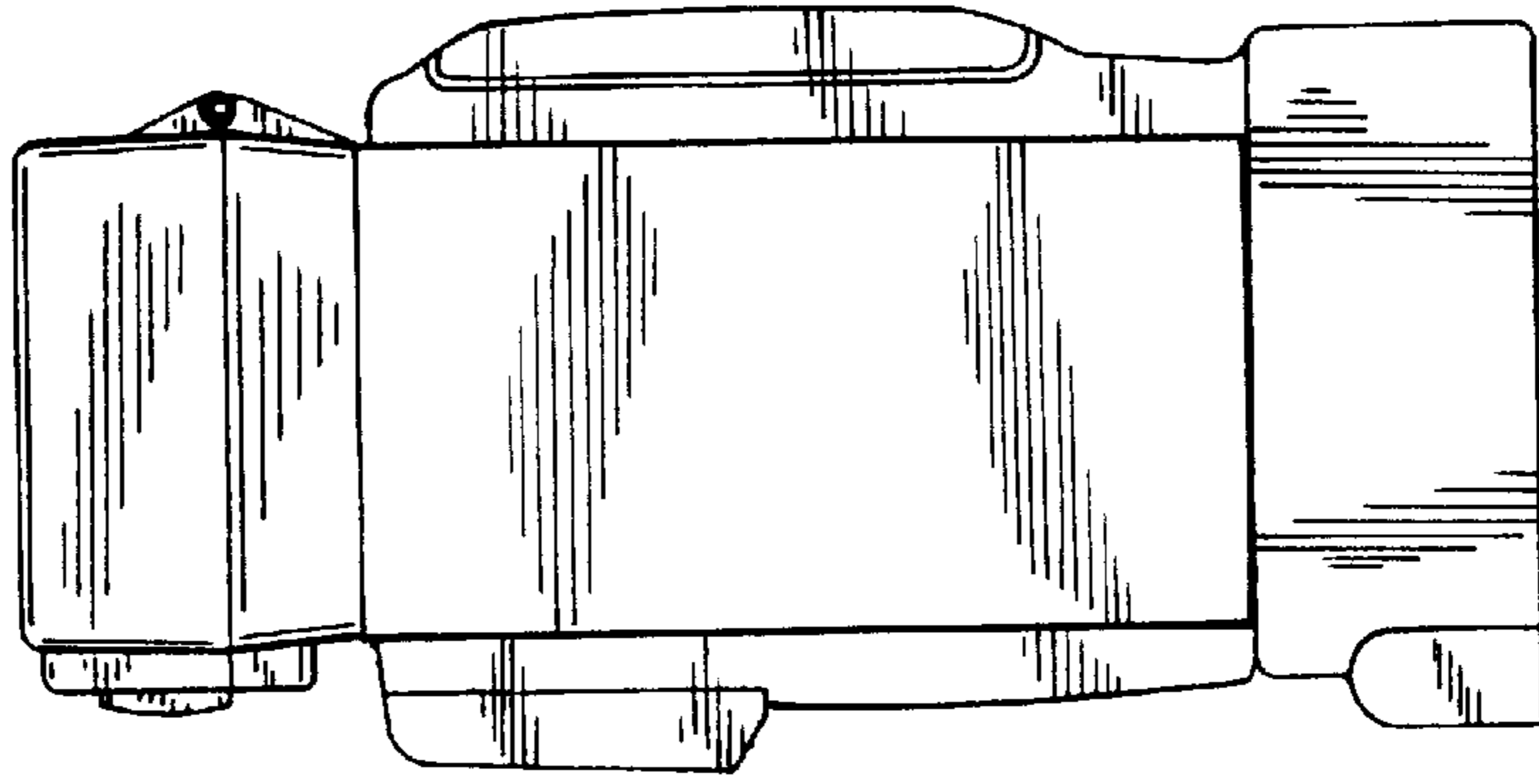


FIG. 4

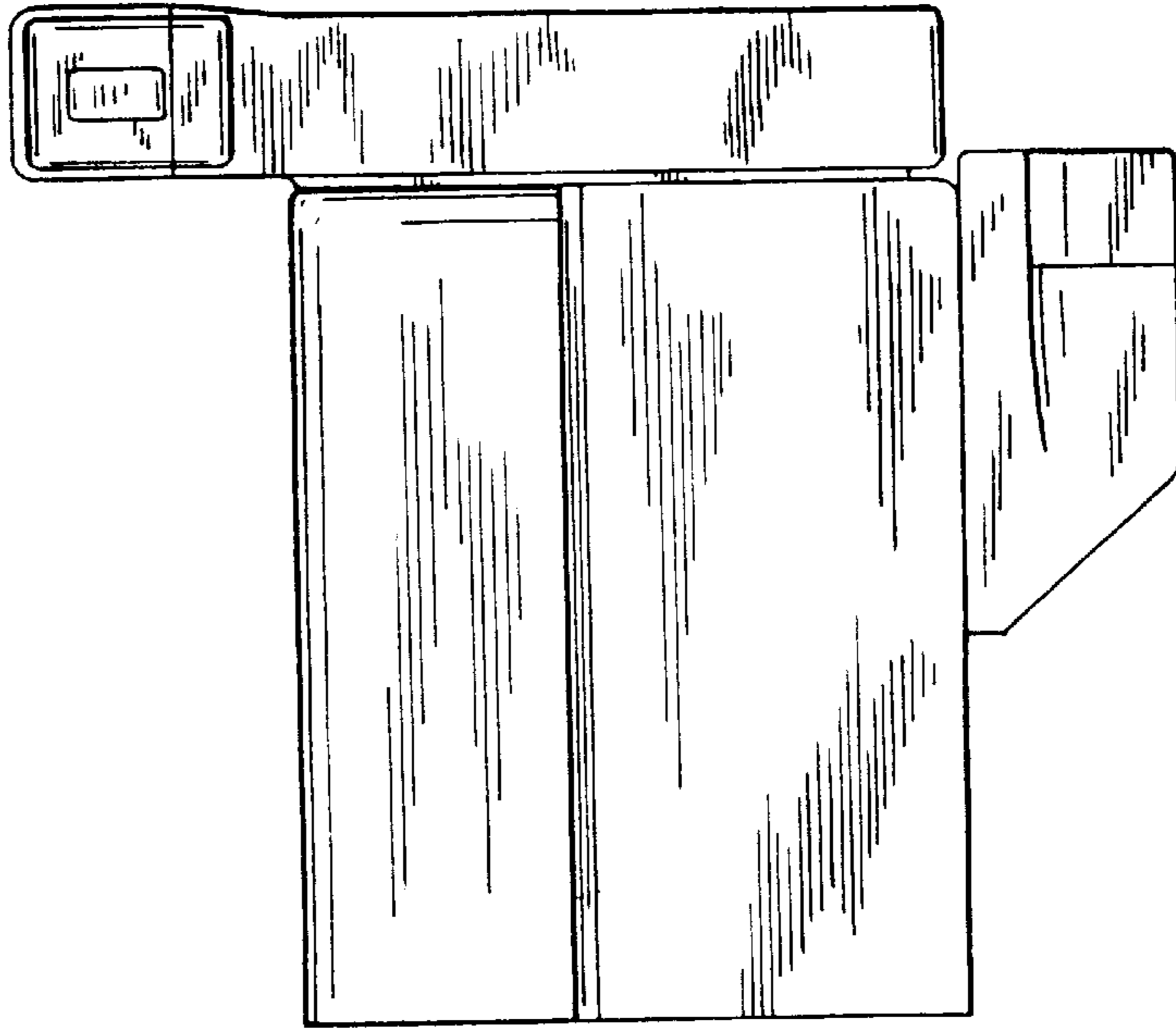


FIG. 3

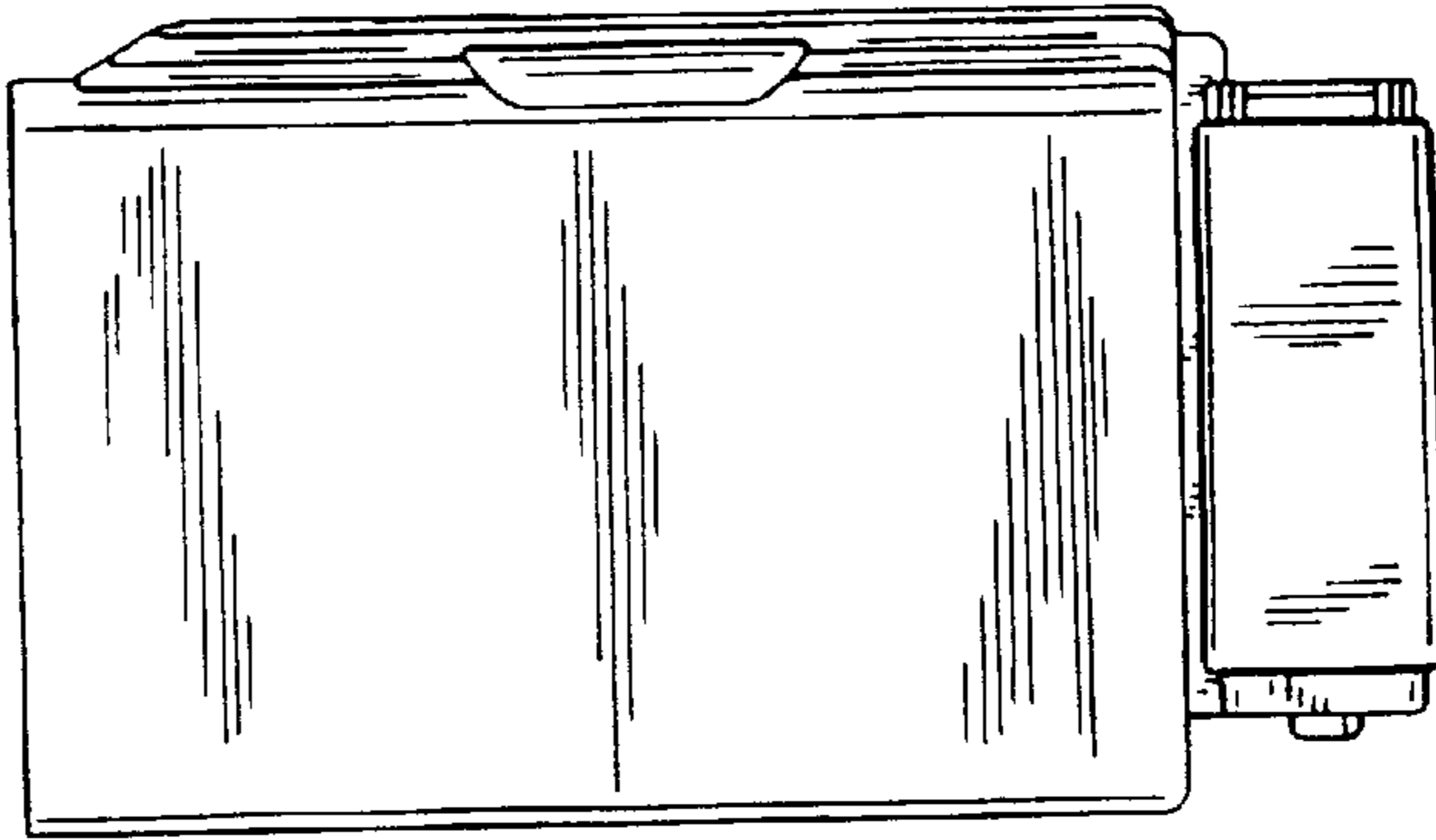


FIG. 8

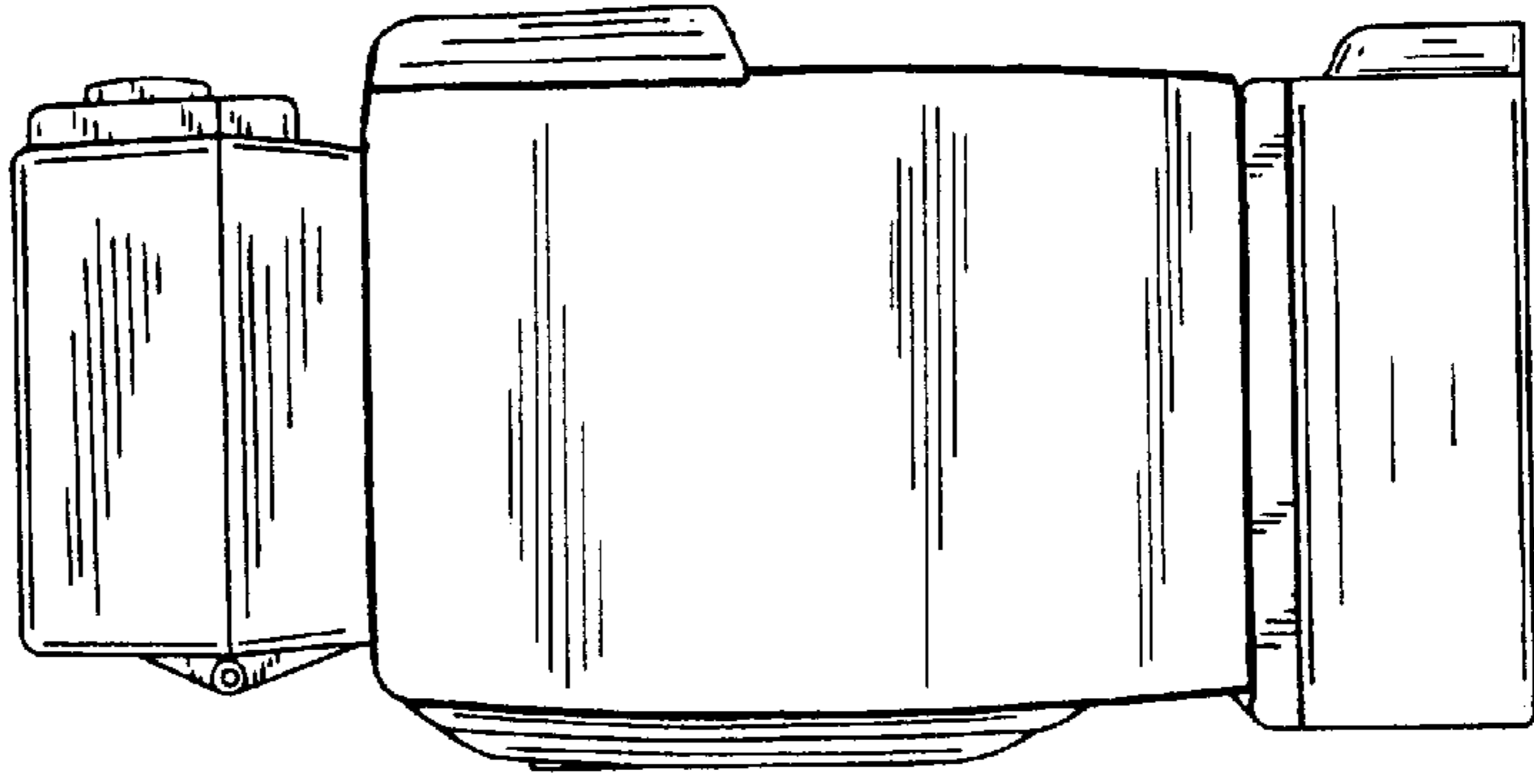


FIG. 7

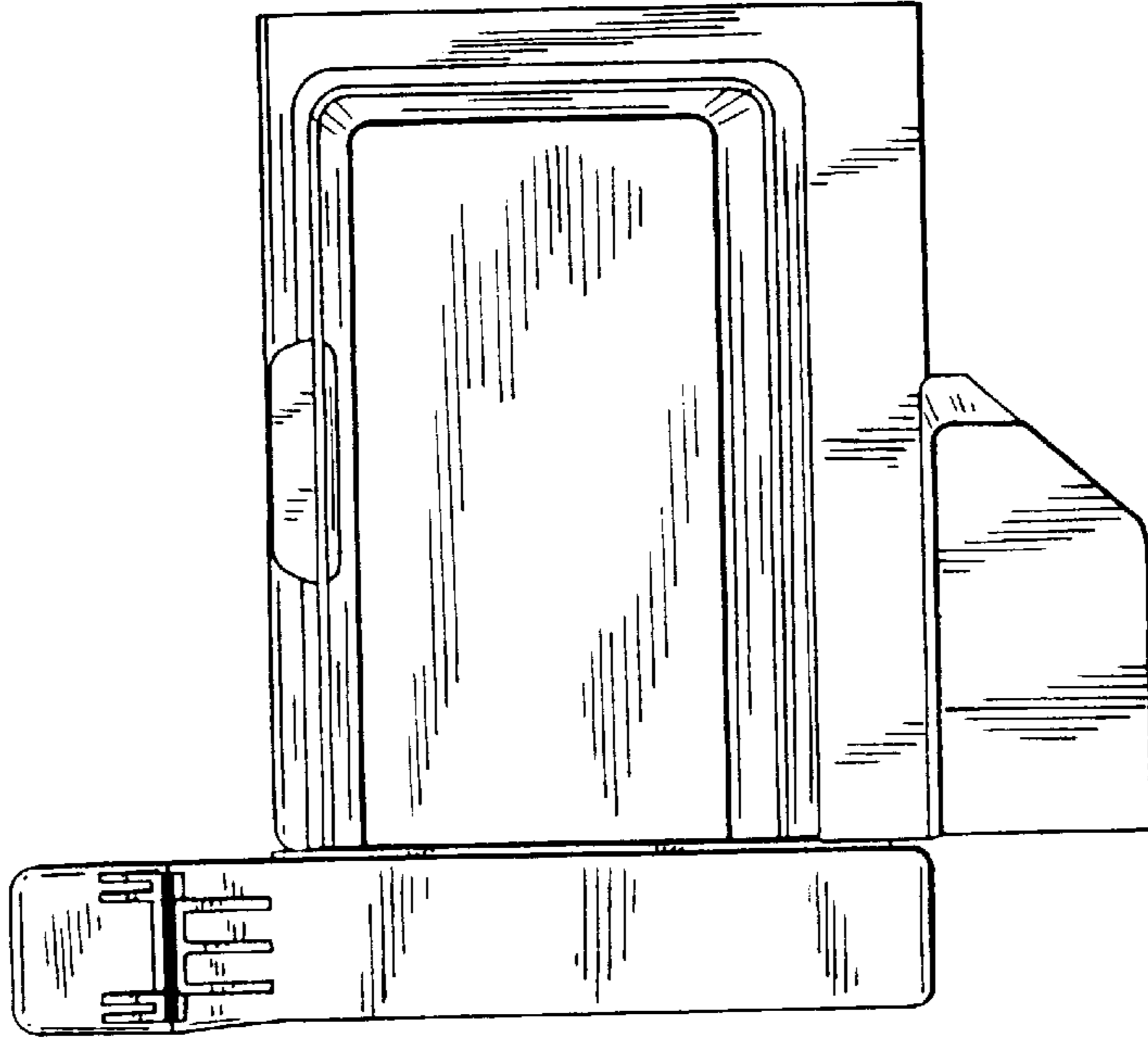


FIG. 6

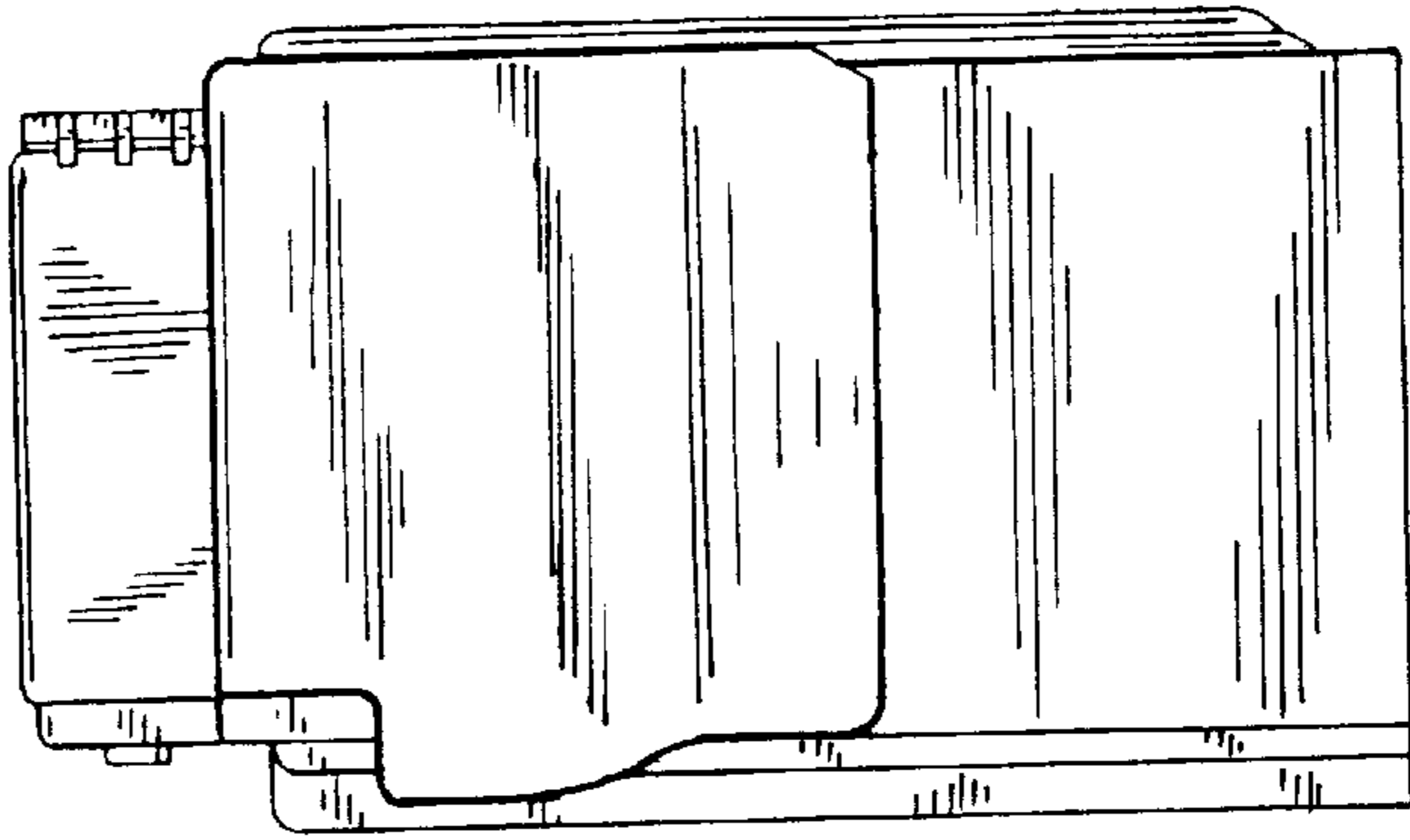


FIG. 10

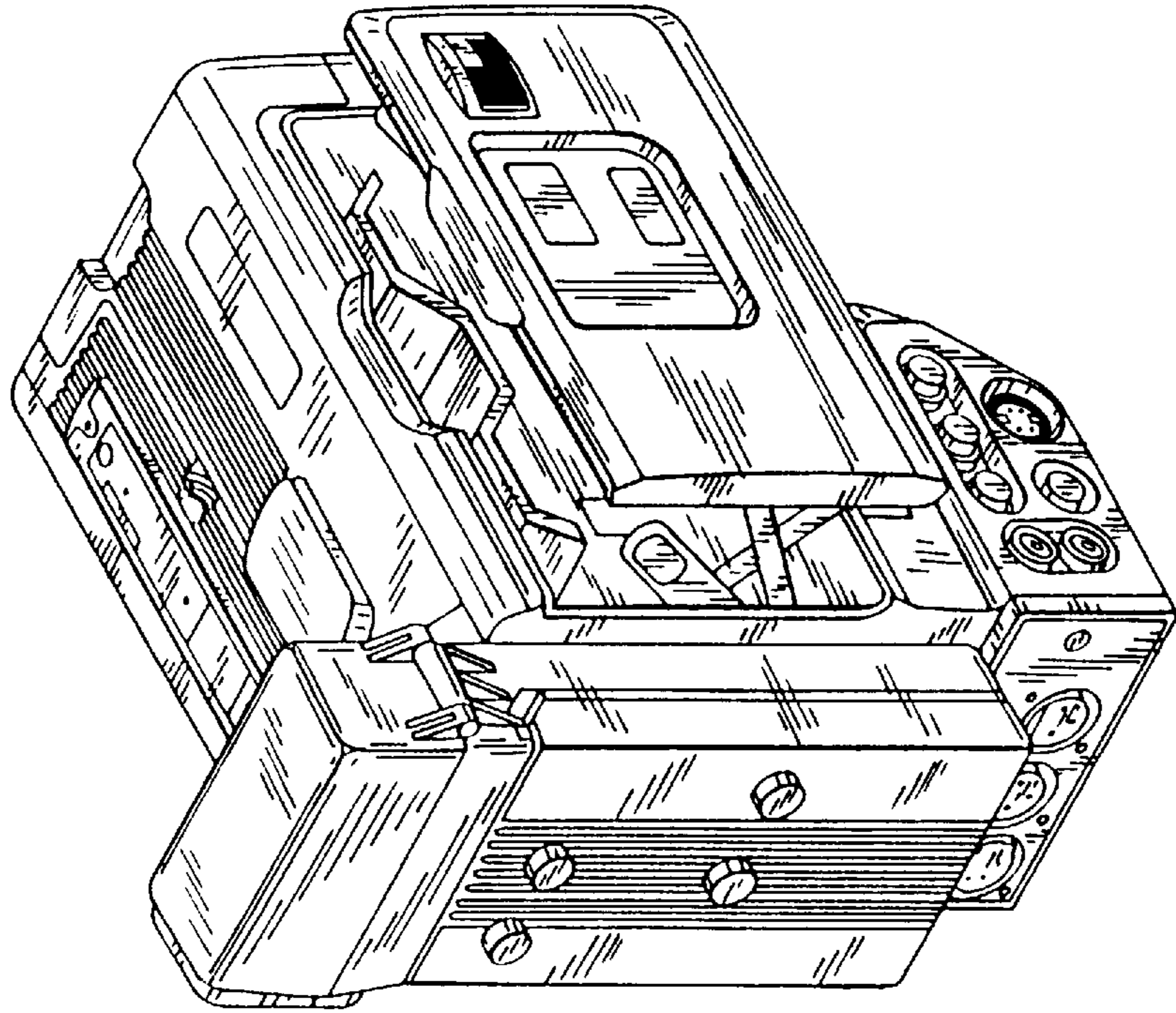


FIG. 9

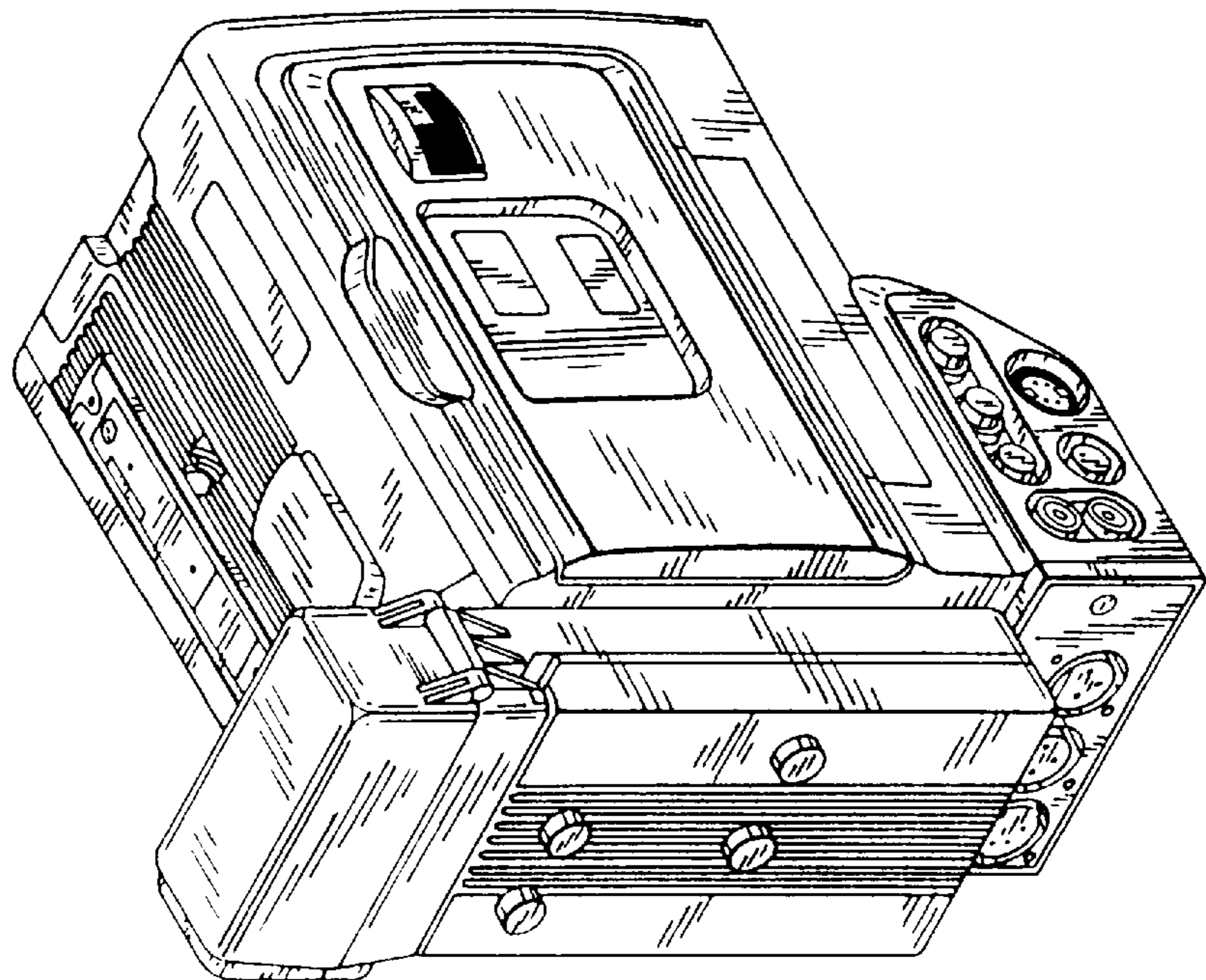


FIG.13

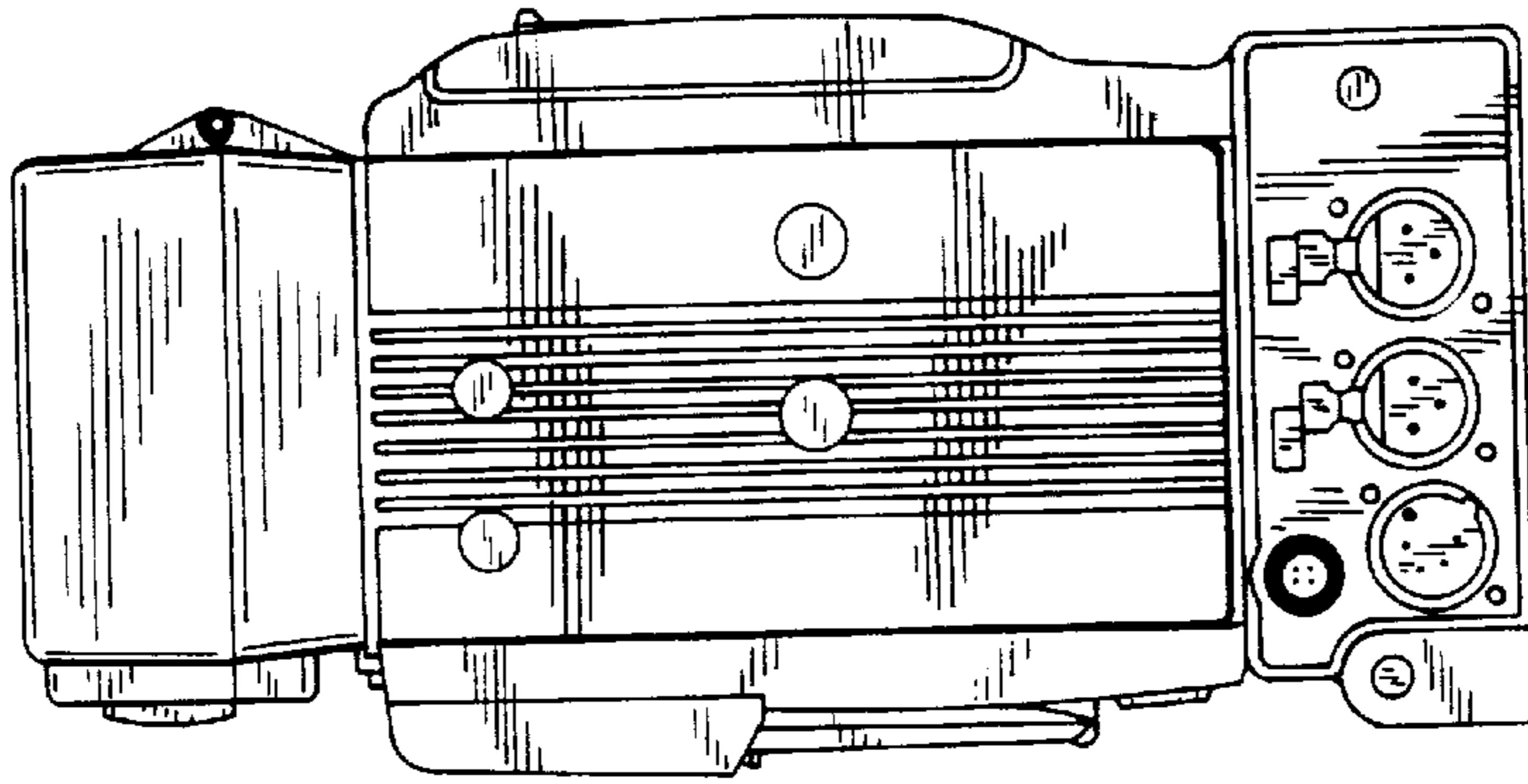


FIG.12

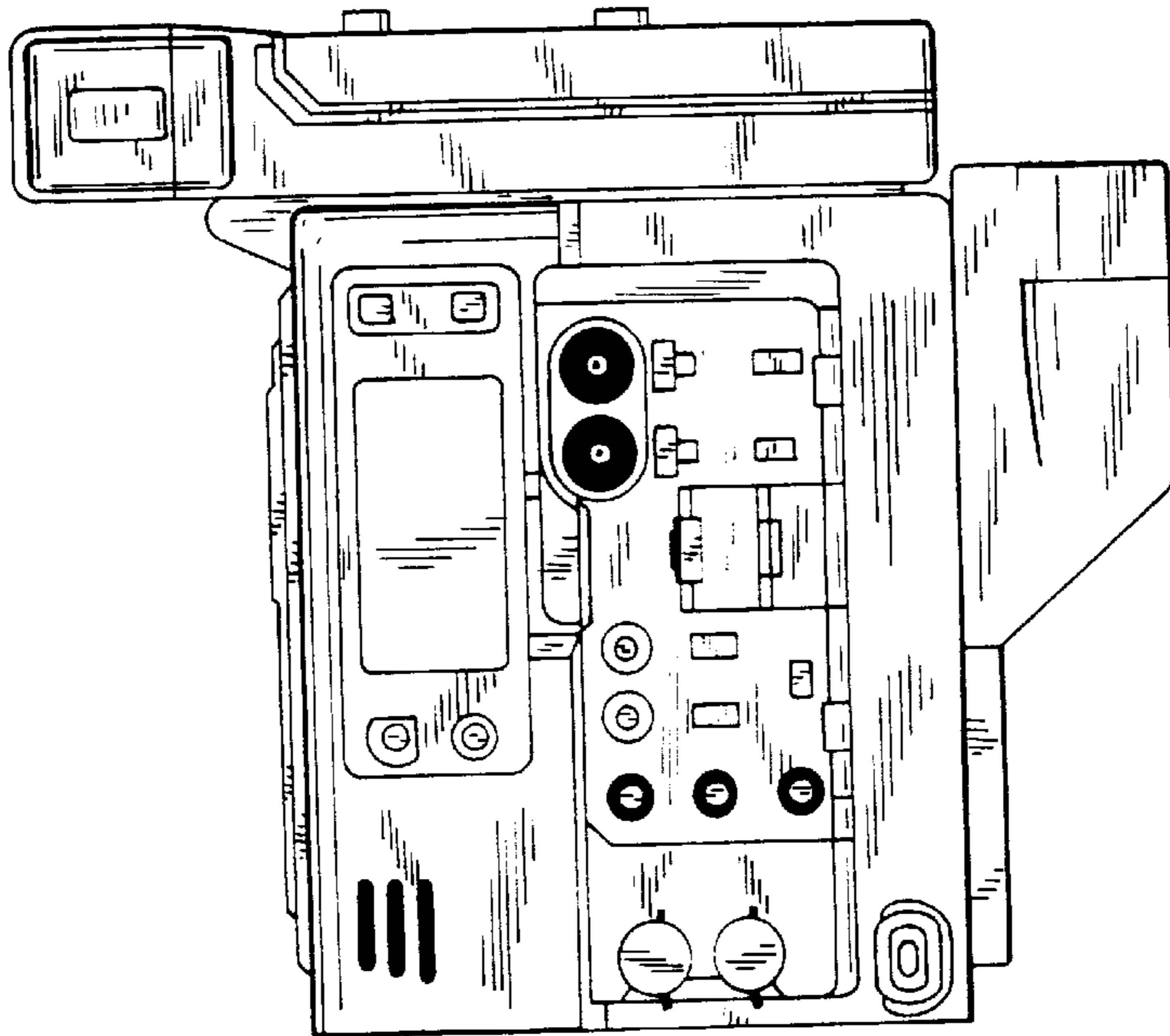


FIG.11

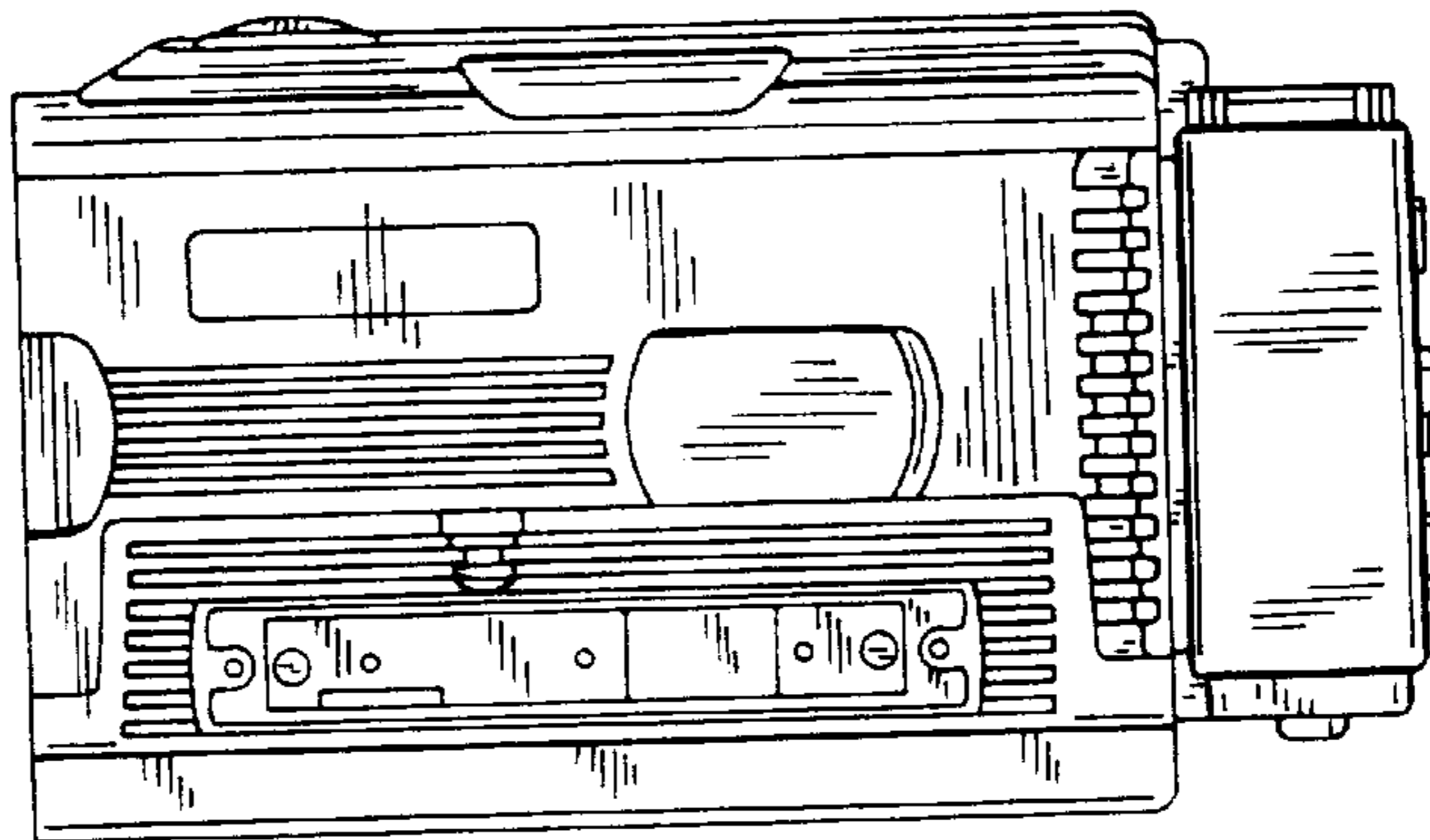


FIG.16

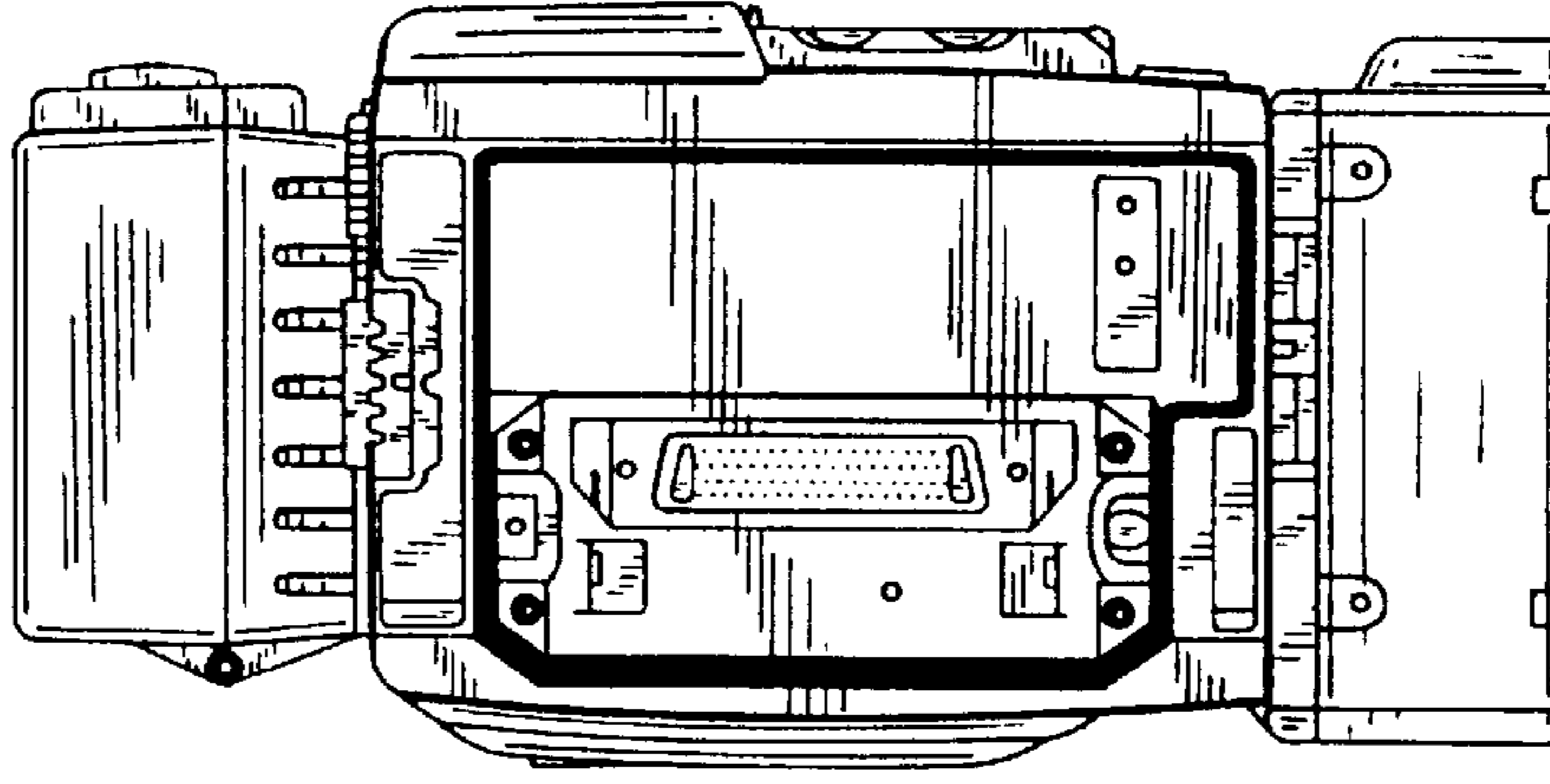


FIG.15

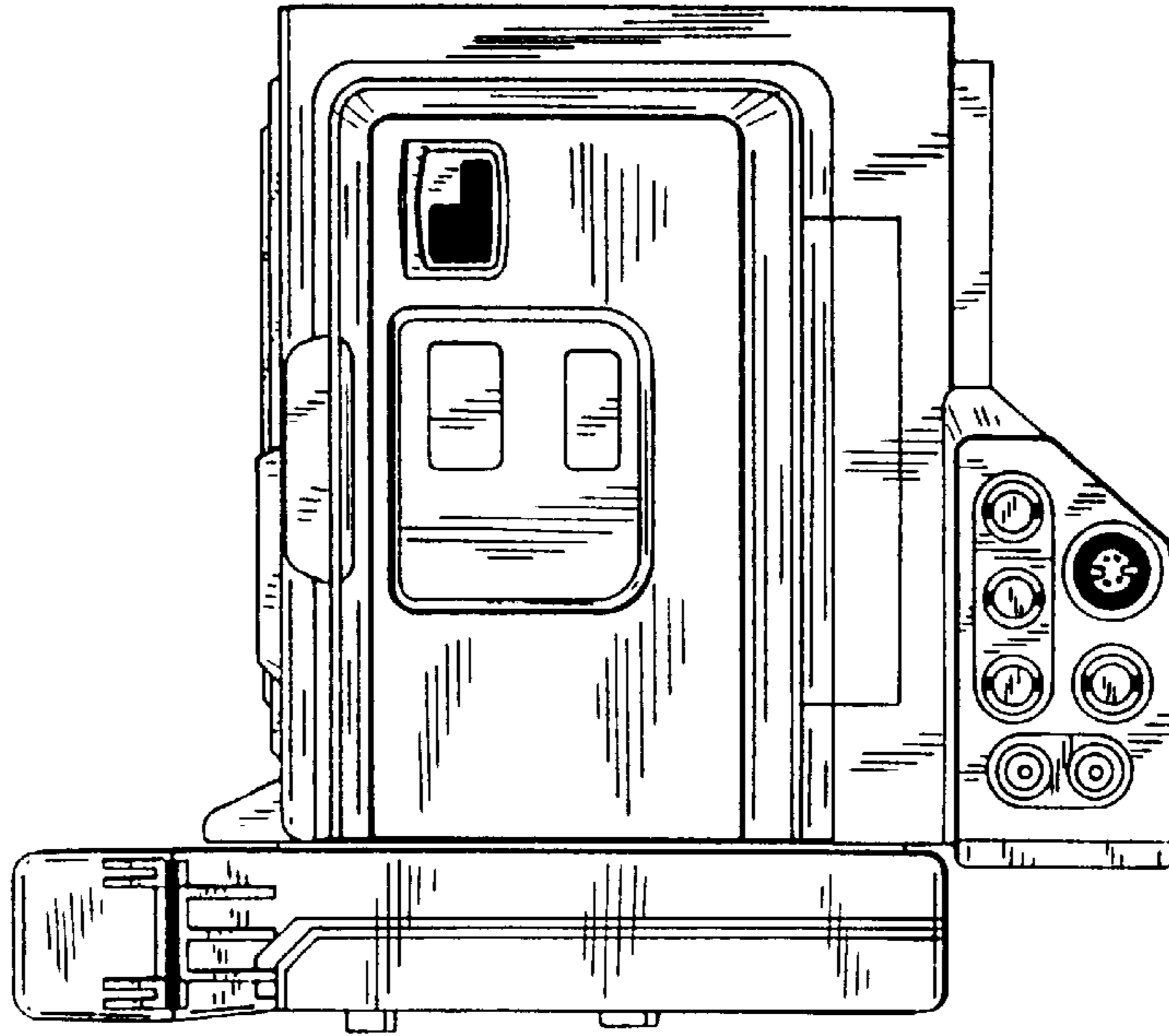


FIG.14

