



US00D400189S

# United States Patent [19]

Yotukura

[11] **Patent Number: Des. 400,189**

[45] **Date of Patent: \*\*Oct. 27, 1998**

[54] **TERMINAL UNIT FOR THE CONTROL OF SALES DATA**

D. 311,178 10/1990 Goodner ..... D14/105  
D. 332,604 1/1993 Miyake et al. .... D14/100  
D. 350,119 8/1994 Kumar et al. .... D14/100

[75] Inventor: **Masakatu Yotukura**, Yokohama, Japan

*Primary Examiner*—Freda Nunn  
*Attorney, Agent, or Firm*—Laff, Whitesel, Conte & Saret, Ltd.

[73] Assignee: **Kanda Tsushin Kogyo Co., Ltd.**, Tokyo, Japan

[\*\*] Term: **14 Years**

### [57] CLAIM

[21] Appl. No.: **73,850**

The ornamental design for a terminal unit for the control of sales data, as shown and described.

[22] Filed: **Jul. 21, 1997**

### DESCRIPTION

#### [30] Foreign Application Priority Data

Jan. 27, 1997 [JP] Japan ..... 9-1569

FIG. 1 is a front, top and right side perspective view of a terminal unit for the control of sales data, showing my new design;

[51] **LOC (6) Cl.** ..... **14-02**

FIG. 2 is a front elevational view thereof;

[52] **U.S. Cl.** ..... **D14/100; D18/7; D18/4**

FIG. 3 is a top plan view thereof;

[58] **Field of Search** ..... D14/100, 116, D14/138, 105, 137, 107; 235/379, 380, 375, 382, 382.5, 431, 462, 472, 145 A, 145 R; 382/312, 313; 345/156, 168, 169, 172; 341/22, 23; 364/708.1; D18/4, 7

FIG. 4 is a rear elevational view thereof;

FIG. 5 is a left side elevational view thereof;

FIG. 6 is a right side elevational view thereof;

FIG. 7 is a bottom plan view thereof; and,

FIG. 8 is a front, top and right side perspective view thereof with an antenna folded.

#### [56] References Cited

##### U.S. PATENT DOCUMENTS

D. 292,709 11/1987 Kosako ..... D14/100

**1 Claim, 3 Drawing Sheets**

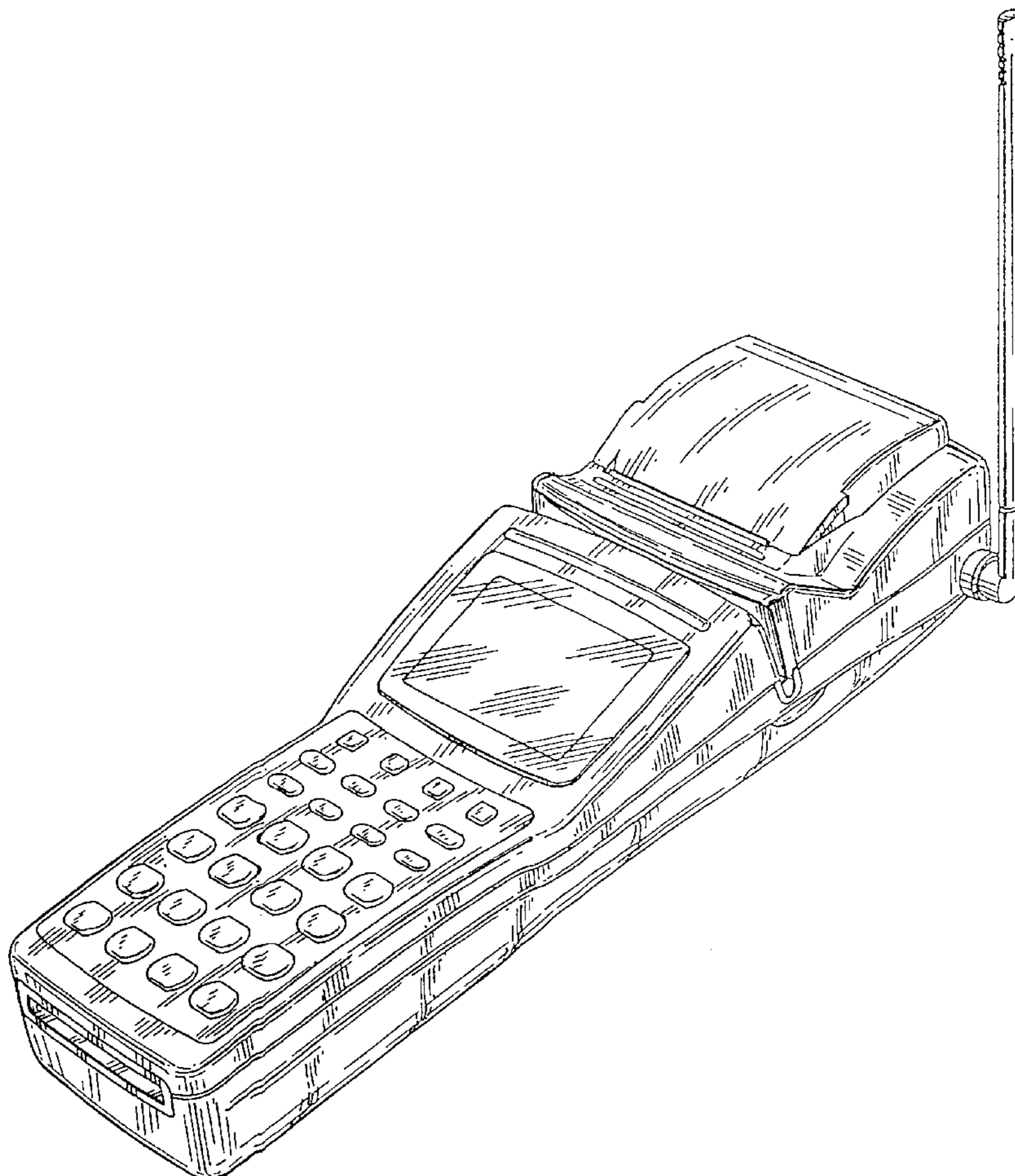


FIG. 3

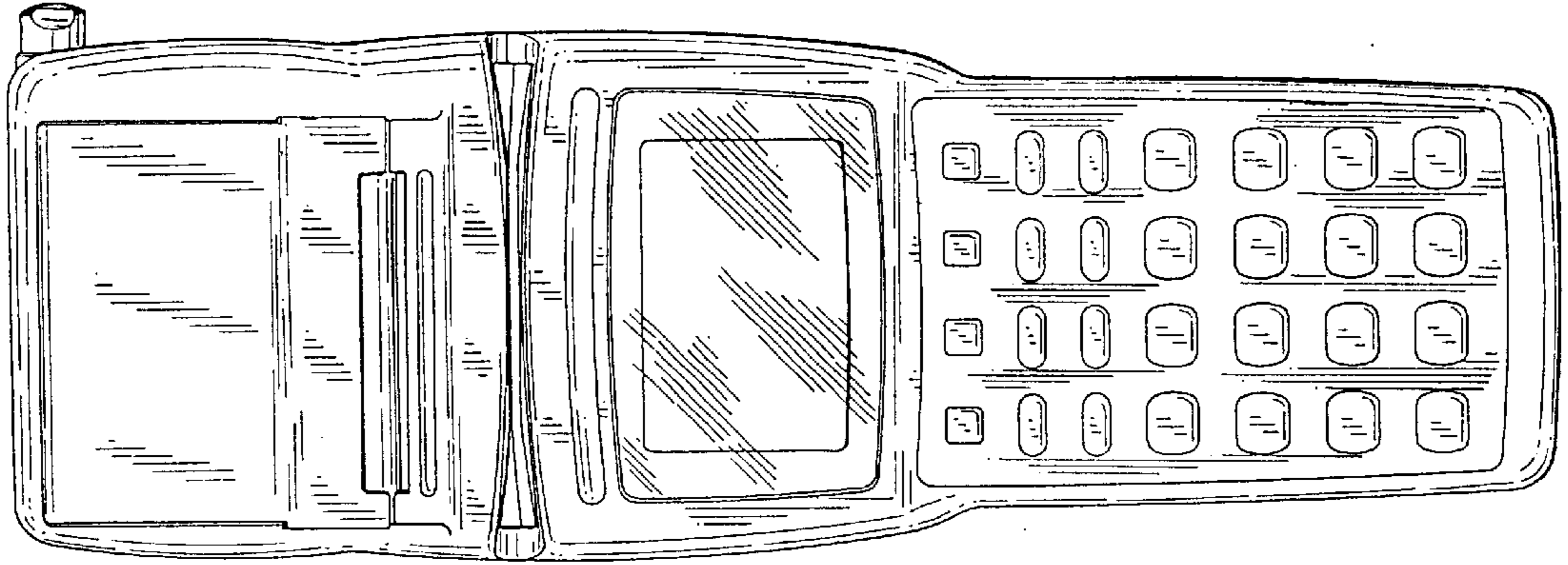


FIG. 2

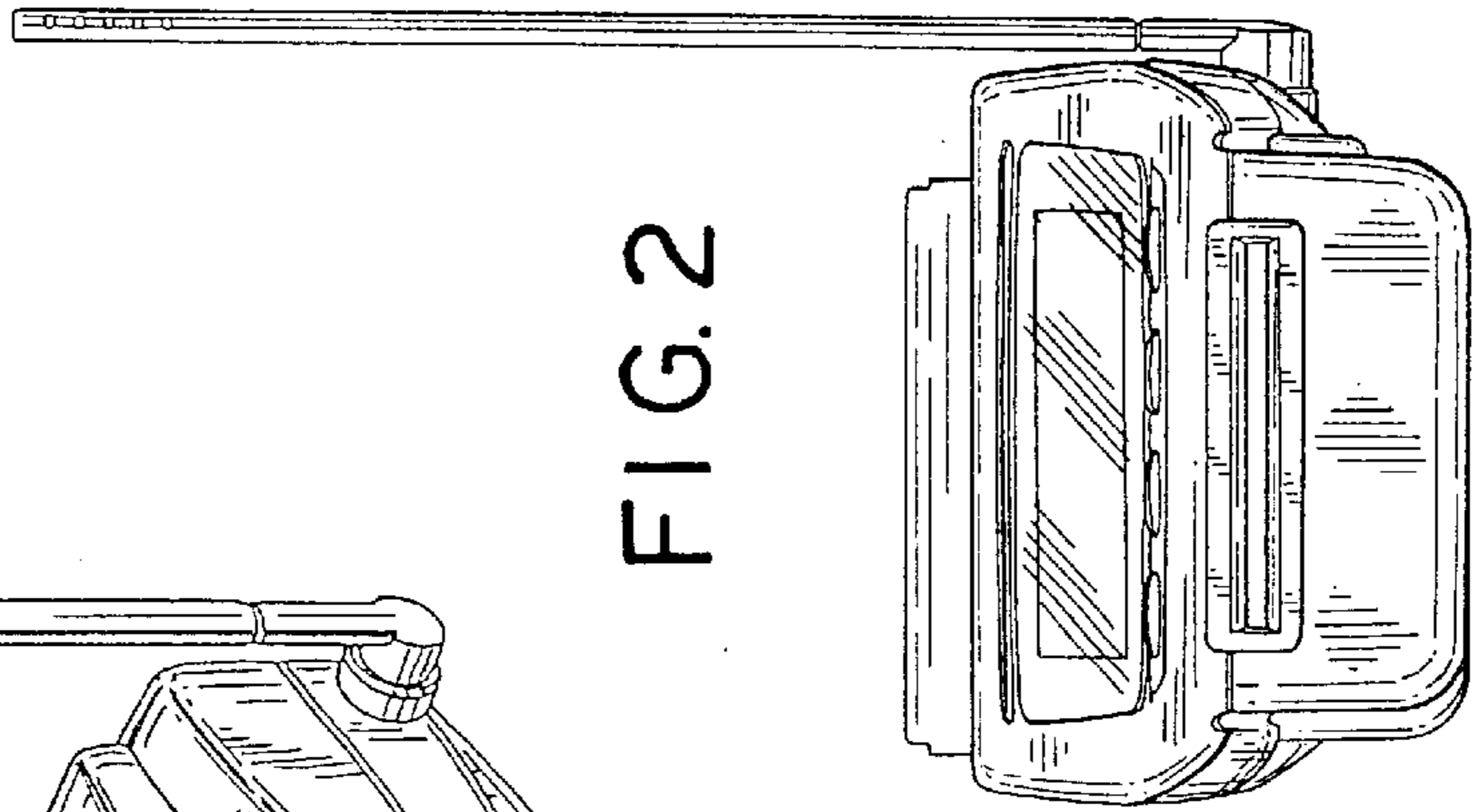
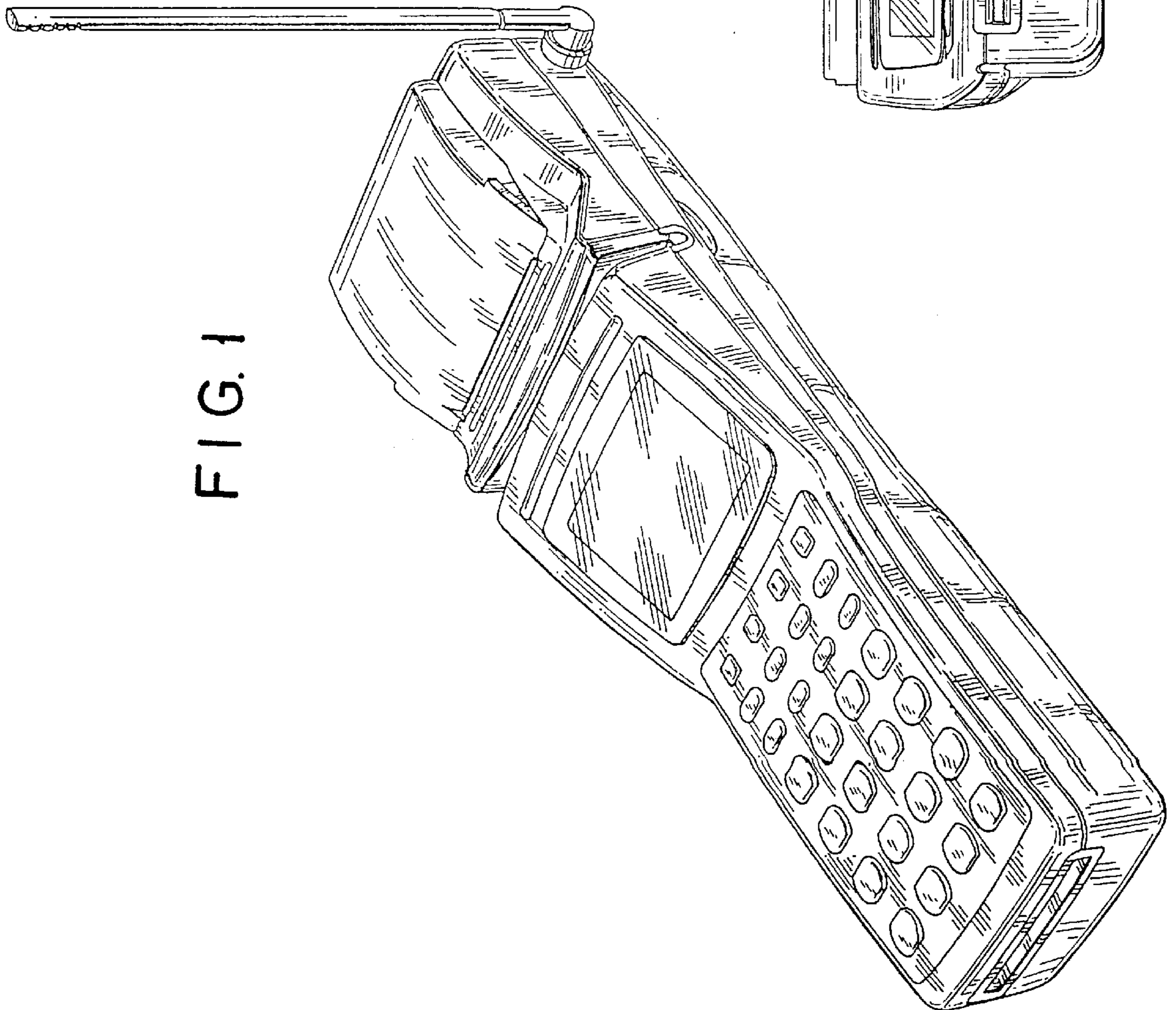


FIG. 1



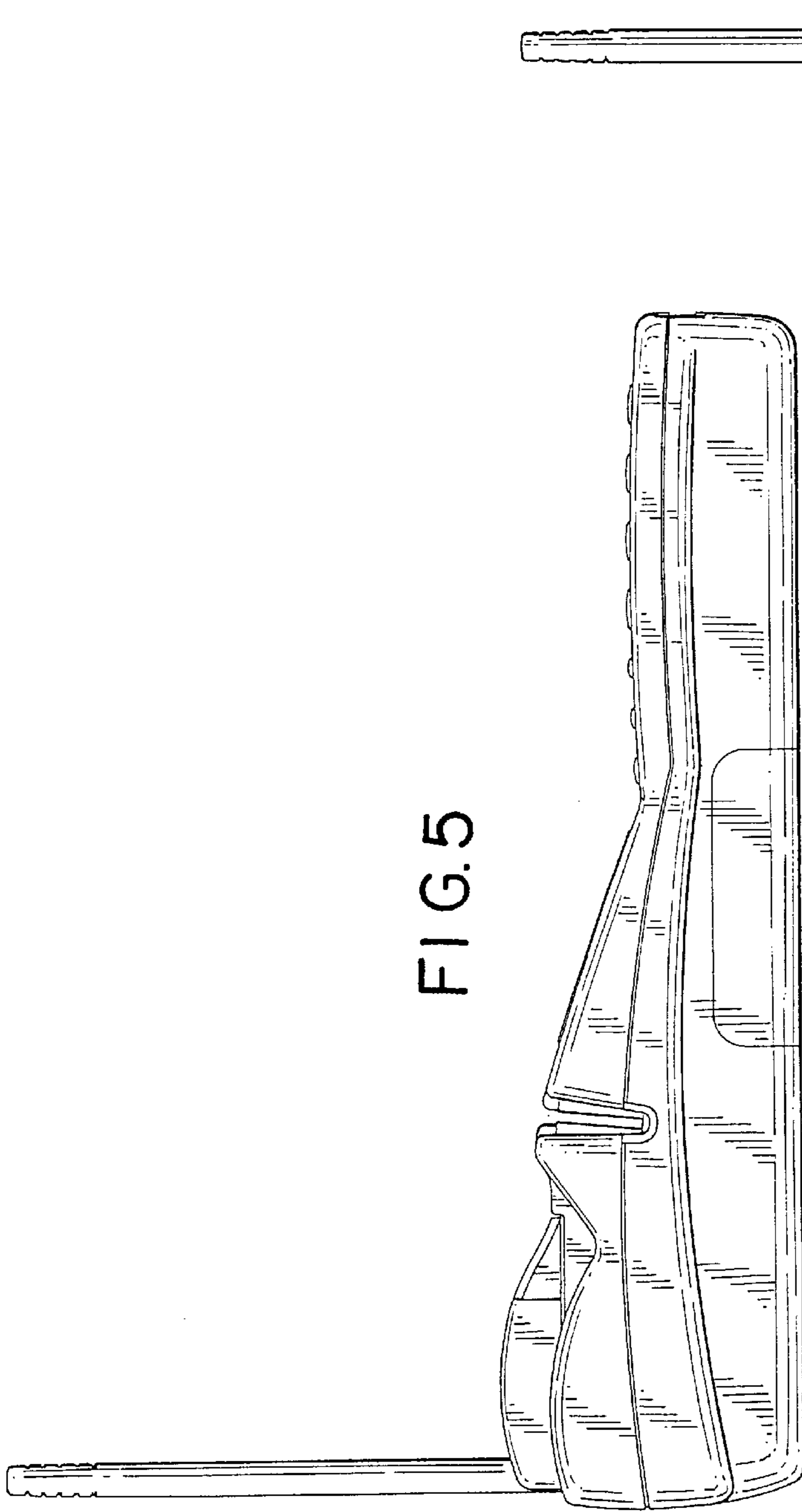


FIG. 5

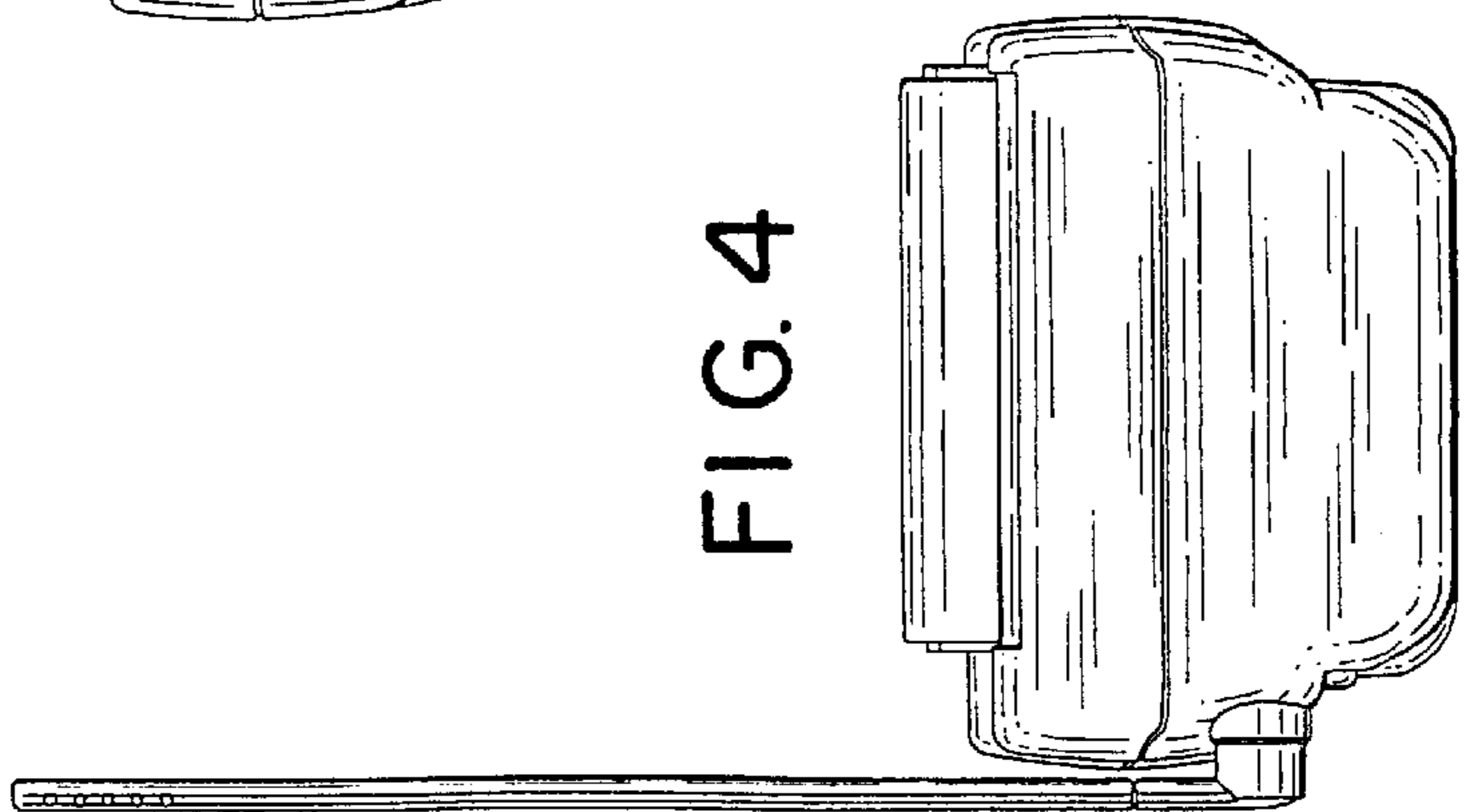


FIG. 4

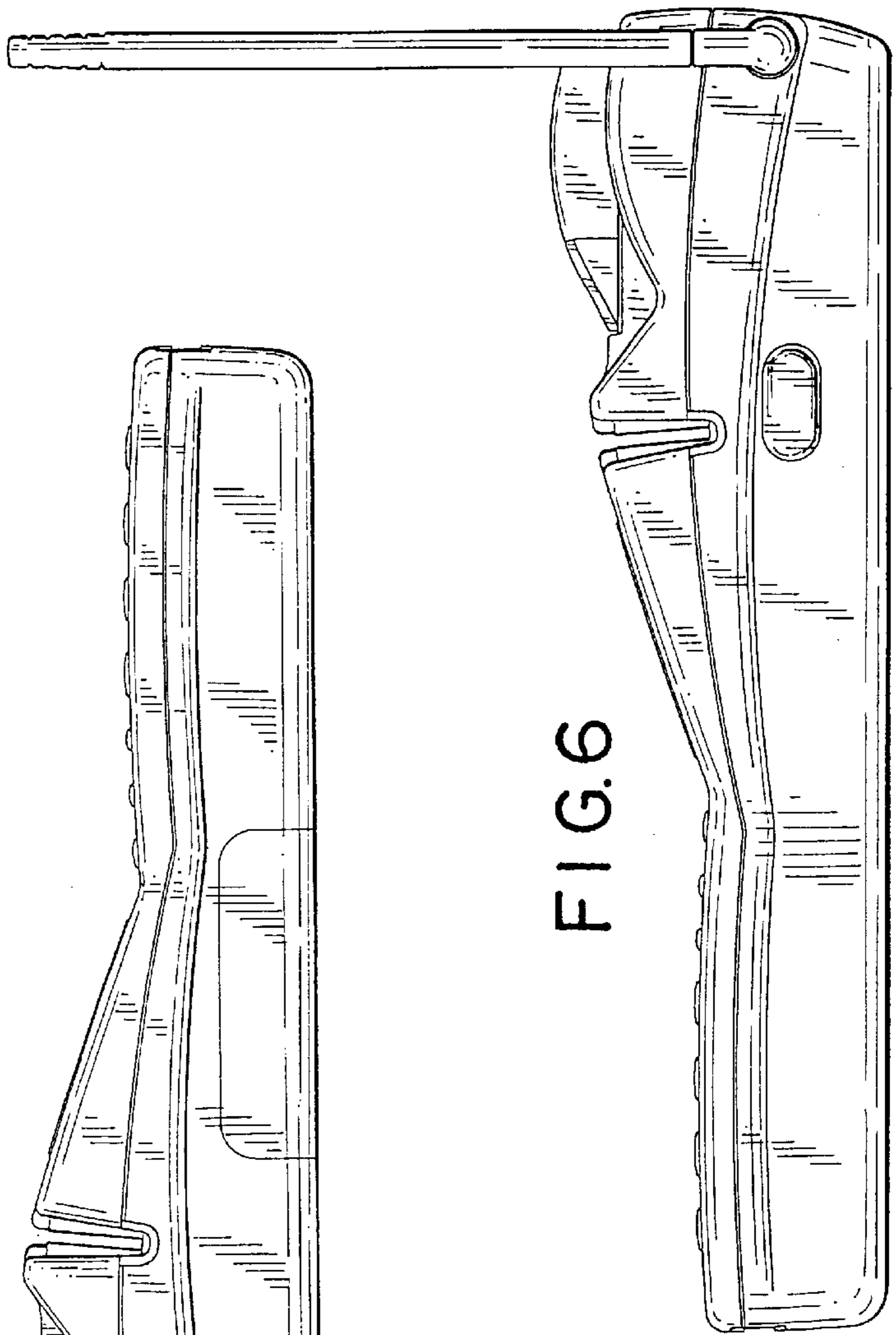


FIG. 6

FIG. 7

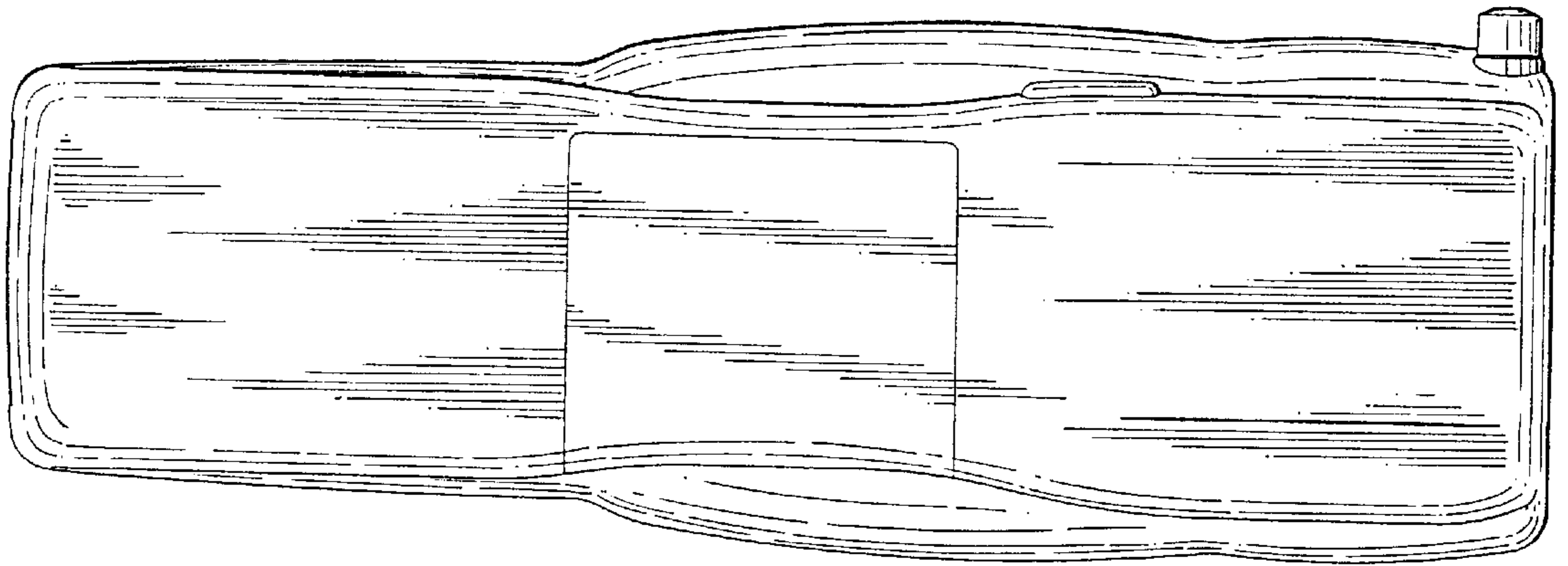


FIG. 8

