



US00D400185S

United States Patent [19] Martello

[11] **Patent Number: Des. 400,185**

[45] **Date of Patent: **Oct. 27, 1998**

[54] **LIGHT SWITCH EXTENSION**

D. 381,636 7/1997 Bush D13/173
5,347,439 9/1994 Warren 200/331 X

[76] Inventor: **John Martello**, 2155 E. Steger Rd.,
Crete, Ill. 60417

Primary Examiner—Brian N. Vinson

[**] Term: **14 Years**

[57] **CLAIM**

[21] Appl. No.: **62,018**

The ornamental design for a light switch extension, as shown and described.

[22] Filed: **Nov. 5, 1996**

DESCRIPTION

[51] **LOC (6) Cl. 13-03**

[52] **U.S. Cl. D13/173**

[58] **Field of Search** D13/158, 169,
D13/173, 174; D8/14; 74/544; 200/329,
330, 331

FIG. 1 is an exploded perspective view of the light switch extension showing my new design;

FIG. 2 is a front elevational view thereof;

FIG. 3 is a rear elevational view thereof;

FIG. 4 is a left side elevational view thereof, the right side elevational view being a mirror image of the view shown in the Figure;

FIG. 5 is a top plan view thereof; and,

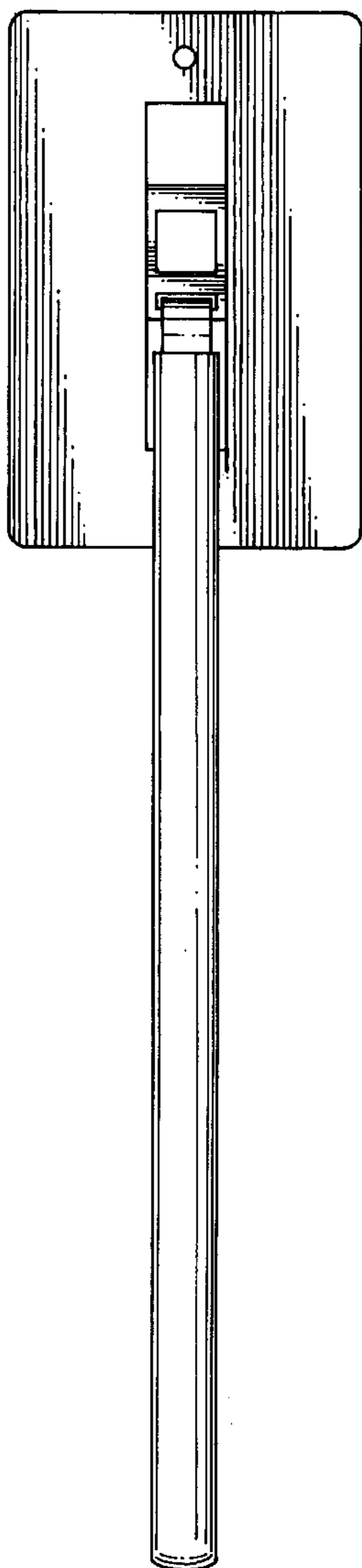
FIG. 6 is a bottom plan view thereof.

[56] **References Cited**

U.S. PATENT DOCUMENTS

D. 328,285 7/1992 Giles D13/173
D. 352,277 11/1994 Olsen D13/173
D. 355,643 2/1995 Warnock et al. D13/173

1 Claim, 3 Drawing Sheets



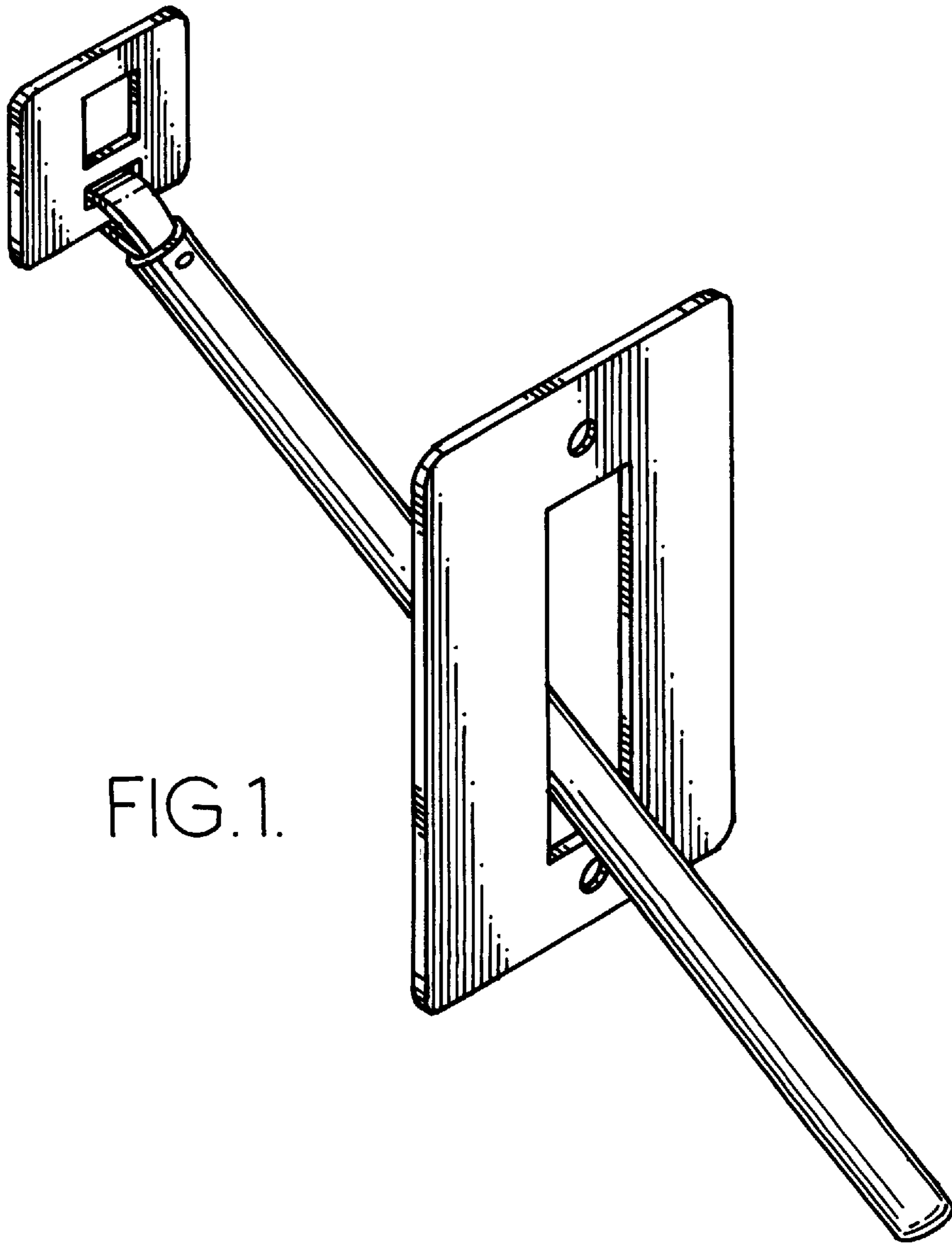


FIG.1.

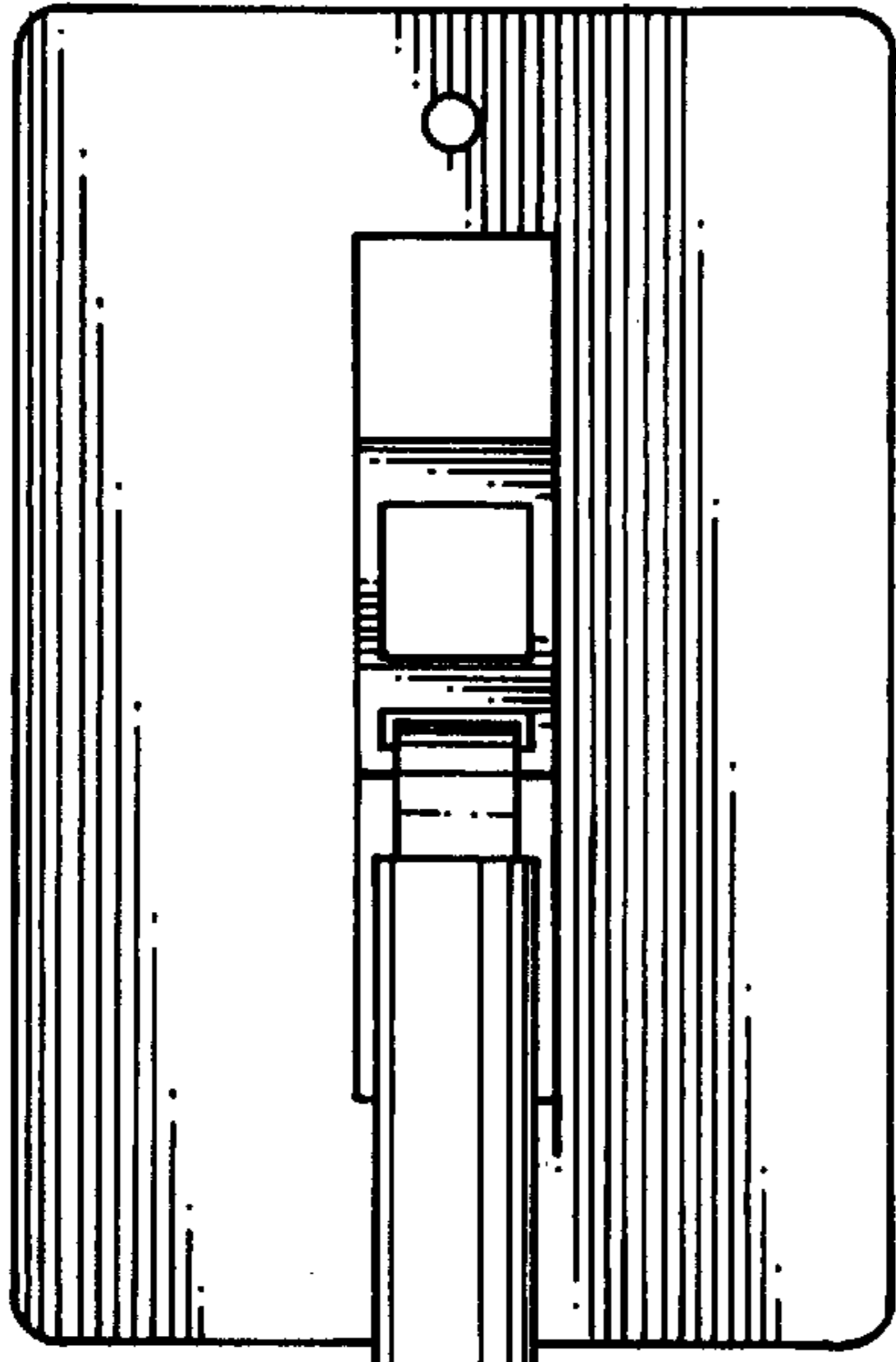


FIG. 2.

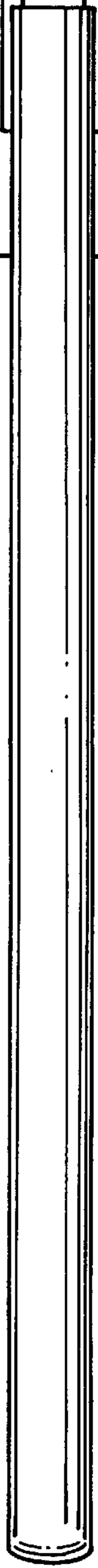


FIG. 4.



FIG. 5.

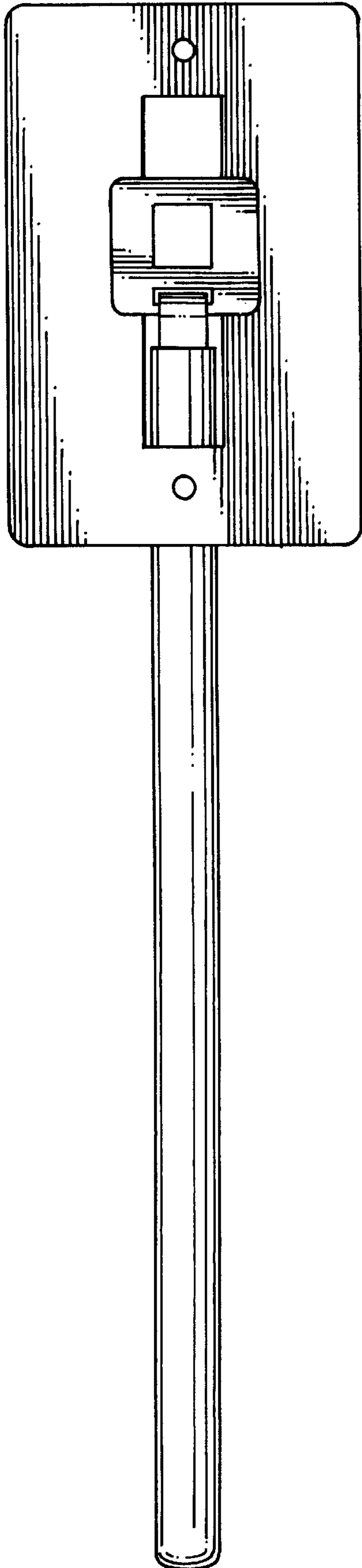


FIG. 3.



FIG. 6