



US00D400181S

**United States Patent** [19]  
**Floyd**

[11] **Patent Number: Des. 400,181**

[45] **Date of Patent: \*\*Oct. 27, 1998**

[54] **PROGRAMMABLE INTEGRATED COMMUNICATIONS TERMINAL**

**DESCRIPTION**

[76] Inventor: **Walter J. Floyd**, 1805 Evangeline Dr., Picayune, Miss. 39466

FIG. 1 is an front isometric/perspective view of the programmable integrated communications terminal (PICT™) of the present invention;

[\*\*] Term: **14 Years**

FIG. 2 is a top plan view of the programmable integrated communications terminal of FIG. 1;

[21] Appl. No.: **69,560**

FIG. 3 is a front elevation view of the programmable integrated communications terminal of FIG. 1;

[22] Filed: **Apr. 28, 1997**

FIG. 4 is a bottom plan view of the programmable integrated communications terminal of FIG. 1;

[51] **LOC (6) Cl.** ..... **13-03**

[52] **U.S. Cl.** ..... **D13/162**

[58] **Field of Search** ..... D13/162, 163; D14/100, 115, 125, 126; 364/708.1, DIG. 1

FIG. 5 is a right side elevation view of the programmable integrated communications terminal of FIG. 1;

[56] **References Cited**

**U.S. PATENT DOCUMENTS**

D. 381,590 7/1997 Thoeni et al. .... D13/162 X

FIG. 6 is a rear elevation view of the programmable integrated communications terminal of FIG. 1; and,

*Primary Examiner*—Brian N. Vinson

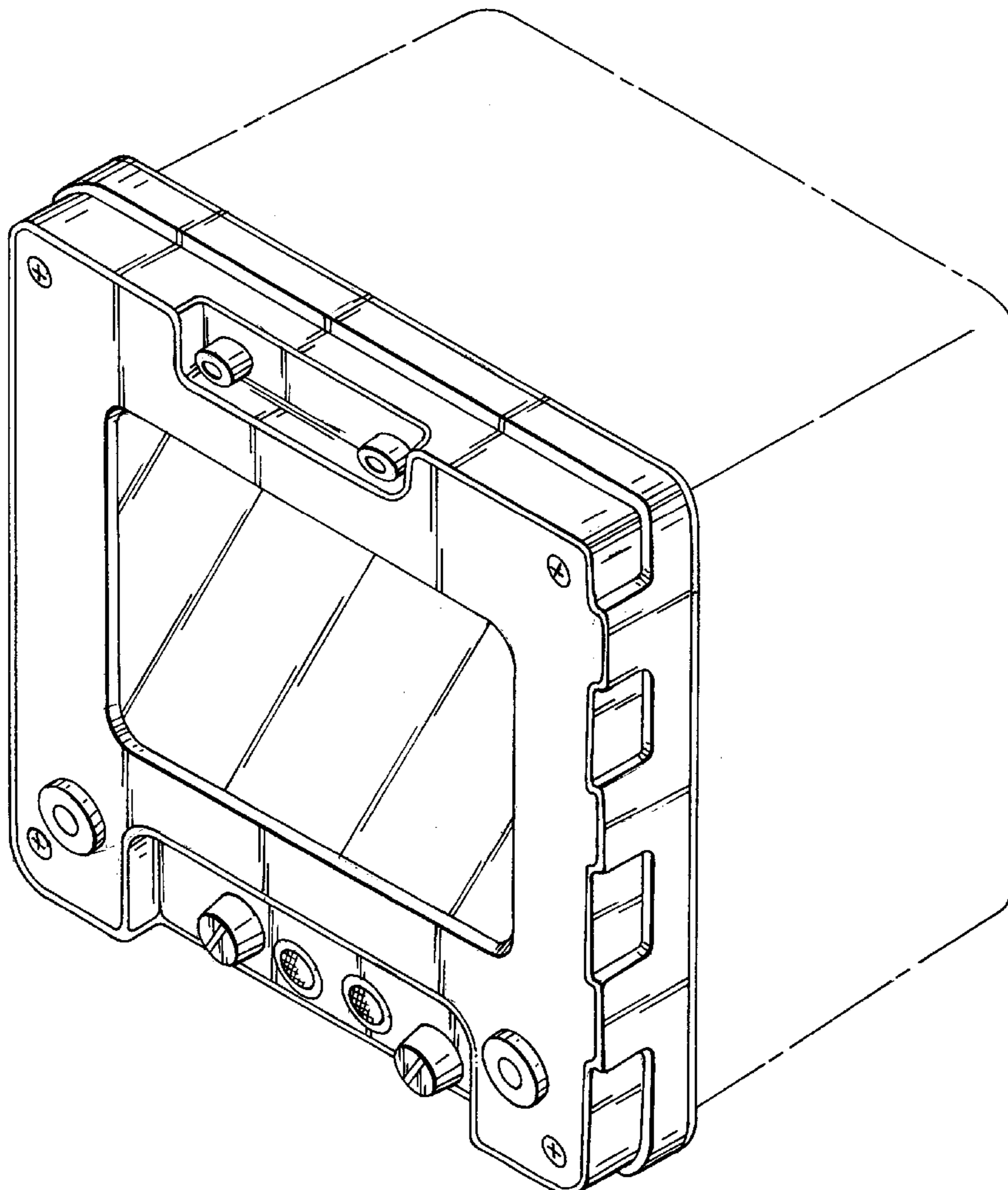
FIG. 7 is a left side elevation view of the programmable integrated communications terminal of FIG. 1.

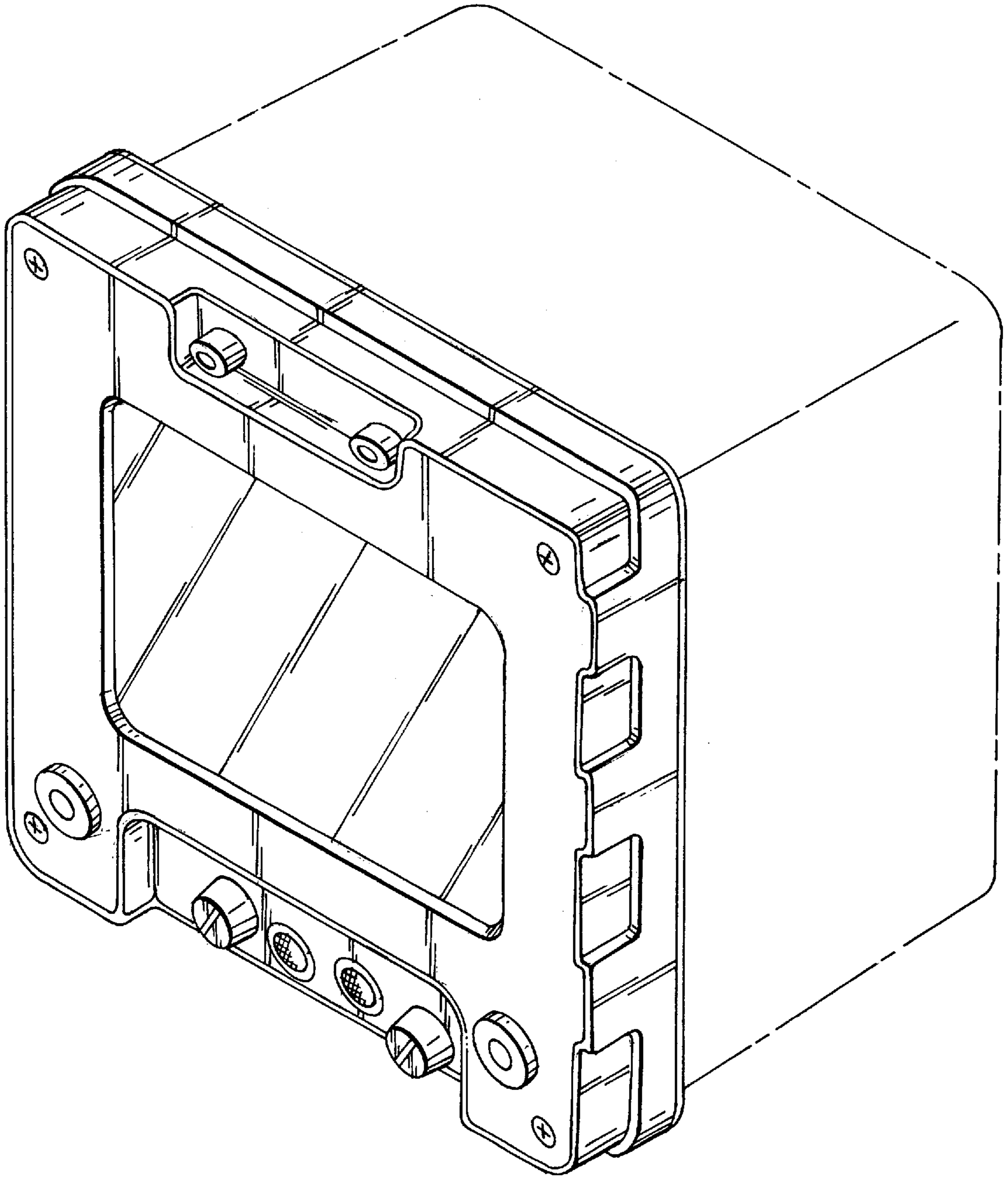
The broken-line disclosure in the views is for illustrative purposes only and forms no part of the claimed design.

[57] **CLAIM**

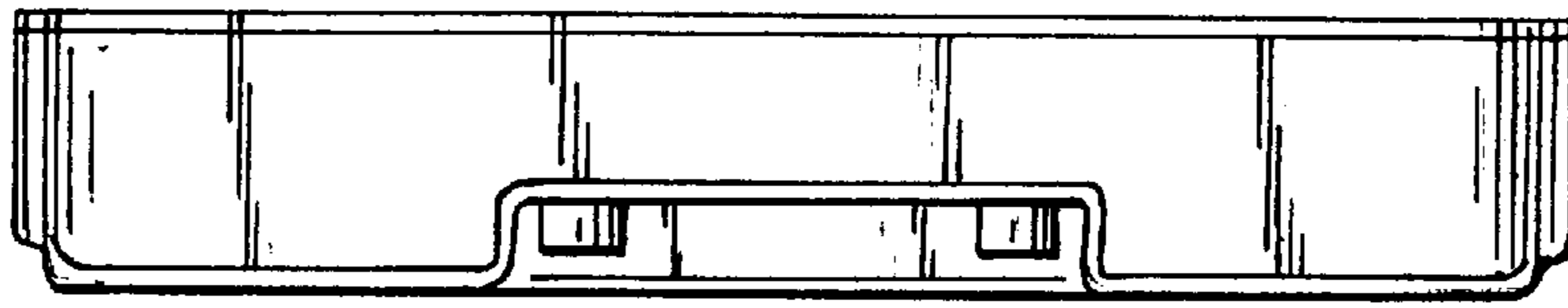
The ornamental design for a programmable integrated communications terminal, as shown and described.

**1 Claim, 3 Drawing Sheets**

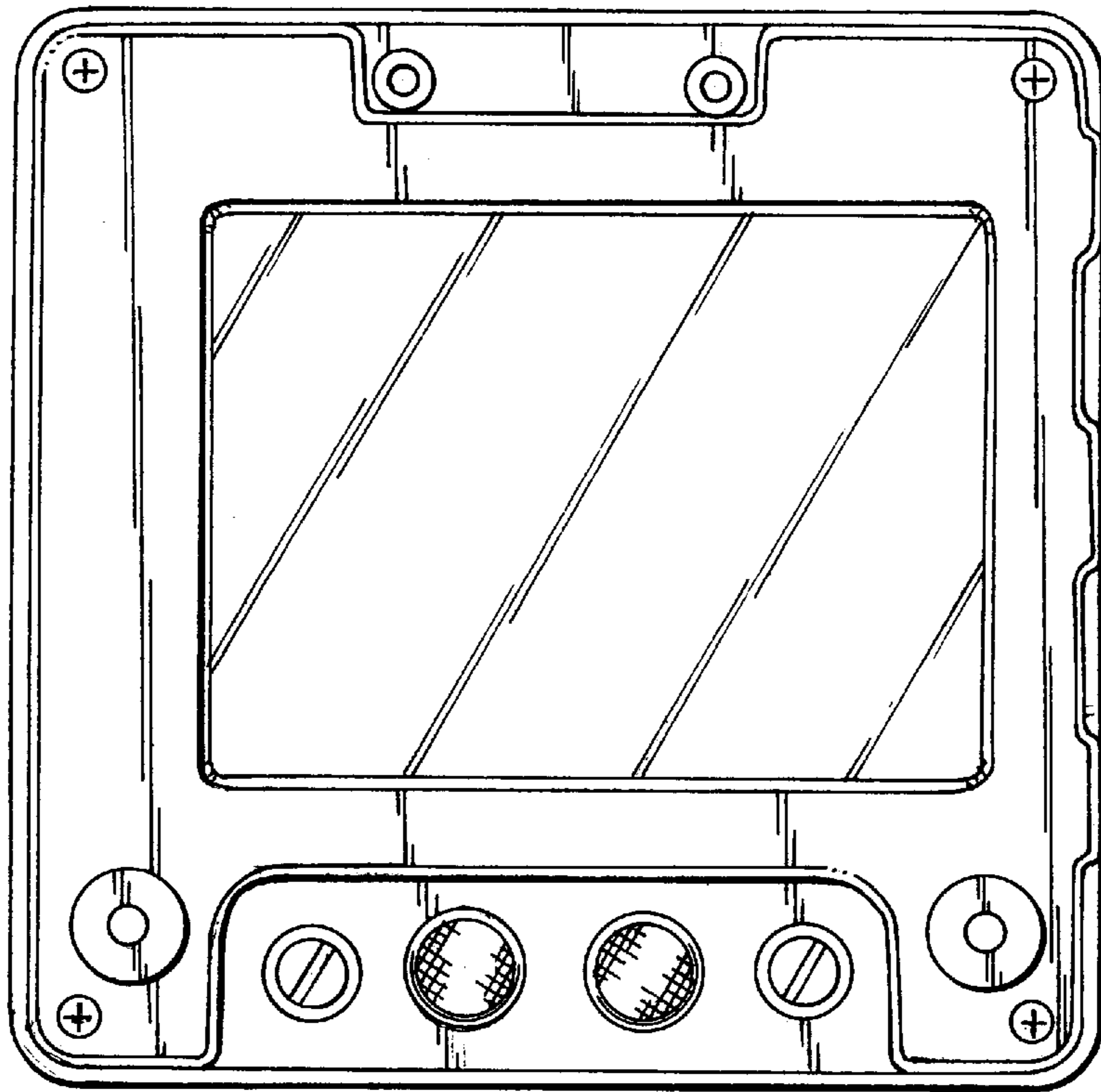




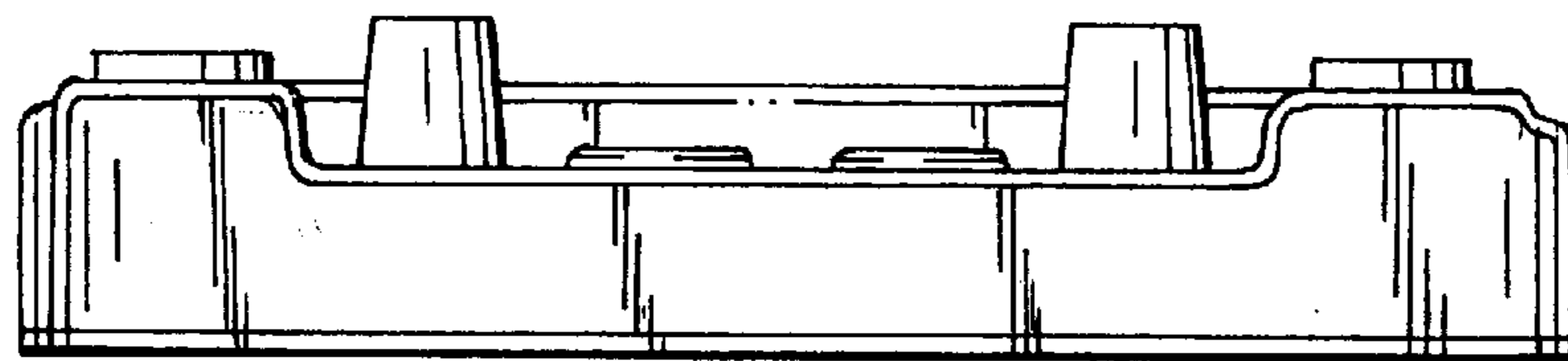
*Fig. 1*



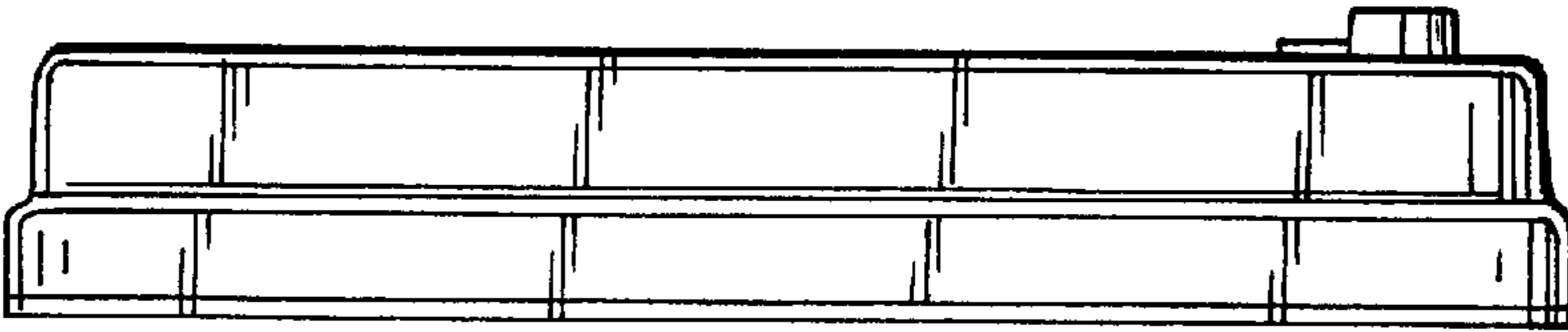
*Fig. 2*



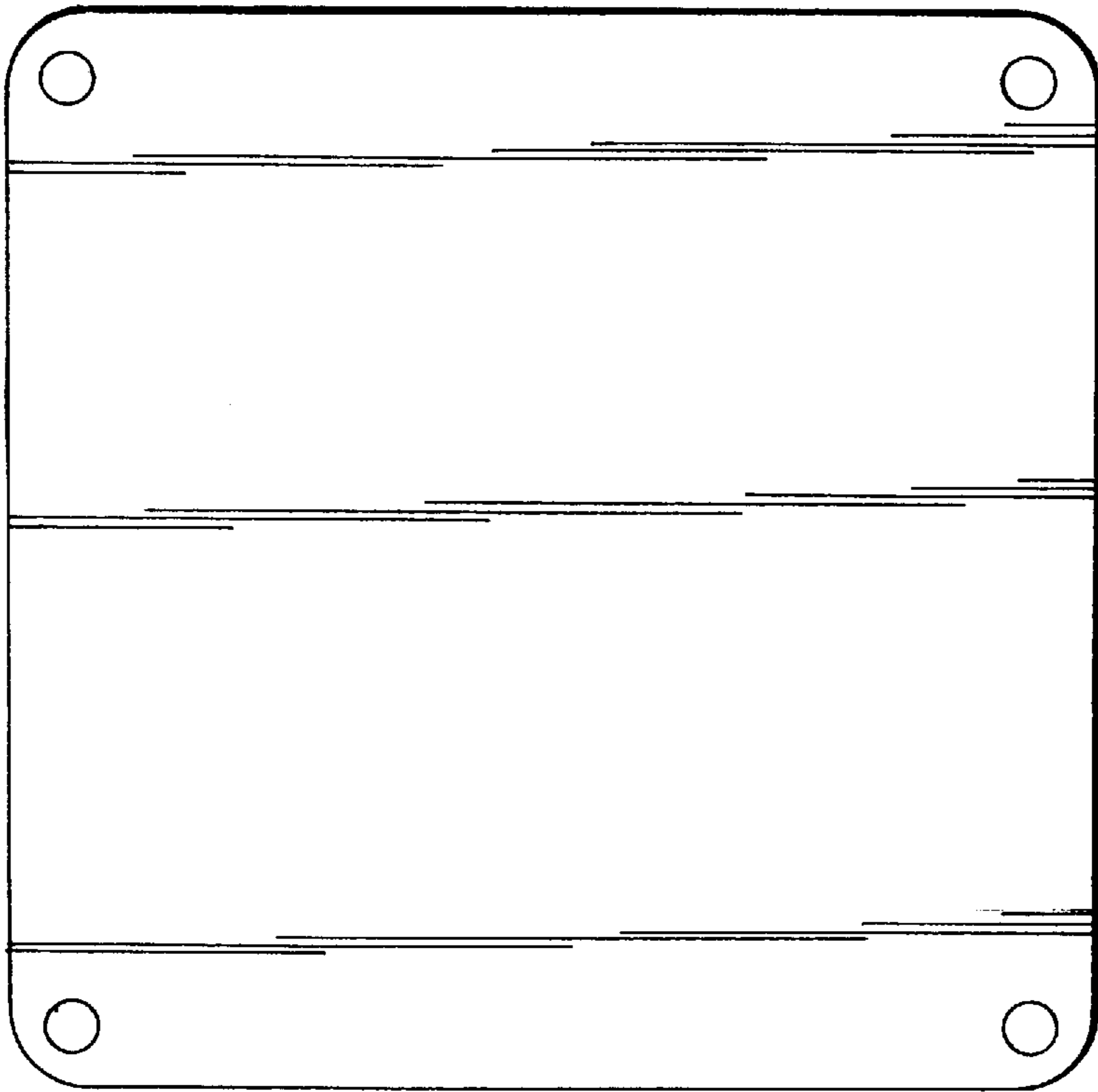
*Fig. 3*



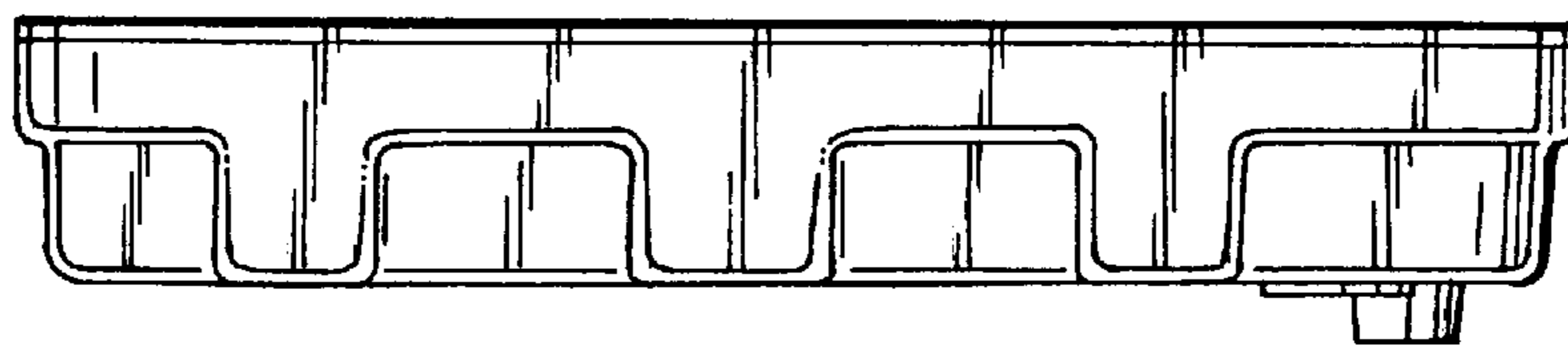
*Fig. 4*



*Fig. 7*



*Fig. 6*



*Fig. 5*