



US00D400179S

# United States Patent [19]

Jones

[11] Patent Number: Des. 400,179

[45] Date of Patent: \*\*Oct. 27, 1998

[54] THREE WAY SWITCH

[76] Inventor: James C. Jones, 145-61 158th St.,  
Jamaica, N.Y. 11434

[\*\*] Term: 14 Years

[21] Appl. No.: 76,028

[22] Filed: Aug. 29, 1997

[51] LOC (6) Cl. .... 13-03

[52] U.S. Cl. .... D13/158

[58] Field of Search ..... D13/158, 168;  
200/11 R, 14, 51.03, 51.04, 51.05

[56] **References Cited**

U.S. PATENT DOCUMENTS

Re. 014,483	6/1918	Thomas	.....	D13/158
D. 224,621	8/1972	Kahn	.....	D13/158
D. 306,998	4/1990	Mintz et al.	.....	D13/158
D. 363,463	10/1995	Rao et al.	.....	D13/158

D. 387,783 12/1997 Mariotta ..... D13/158

Primary Examiner—Brian N. Vinson

[57] **CLAIM**

The ornamental design for a three way switch, as shown.

**DESCRIPTION**

FIG. 1 is a front plan view of the three way switch of the present invention;

FIG. 2 is a back plan view of the three way switch of FIG. 1;

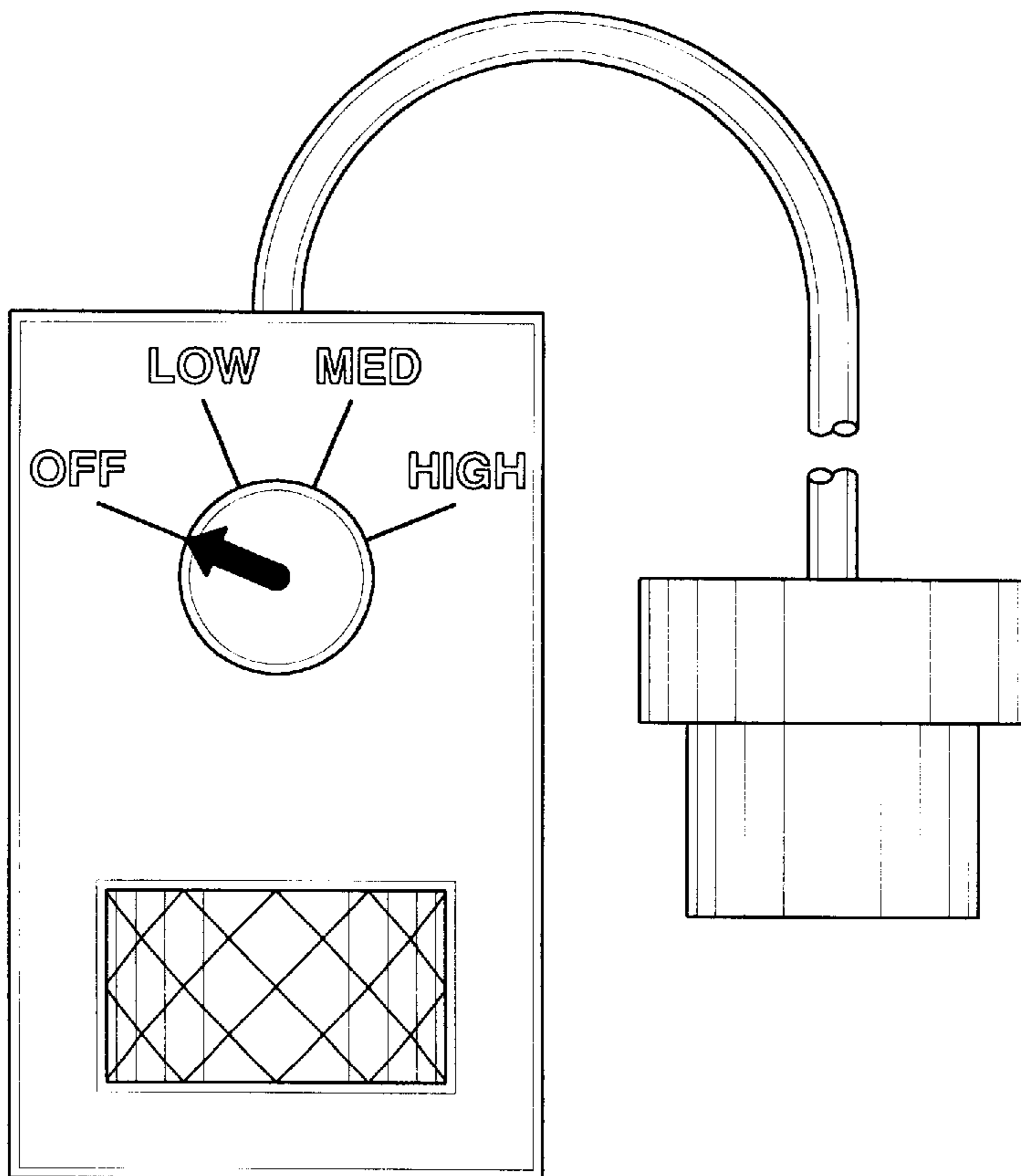
FIG. 3 is a left side plan view of the three way switch of FIG. 1;

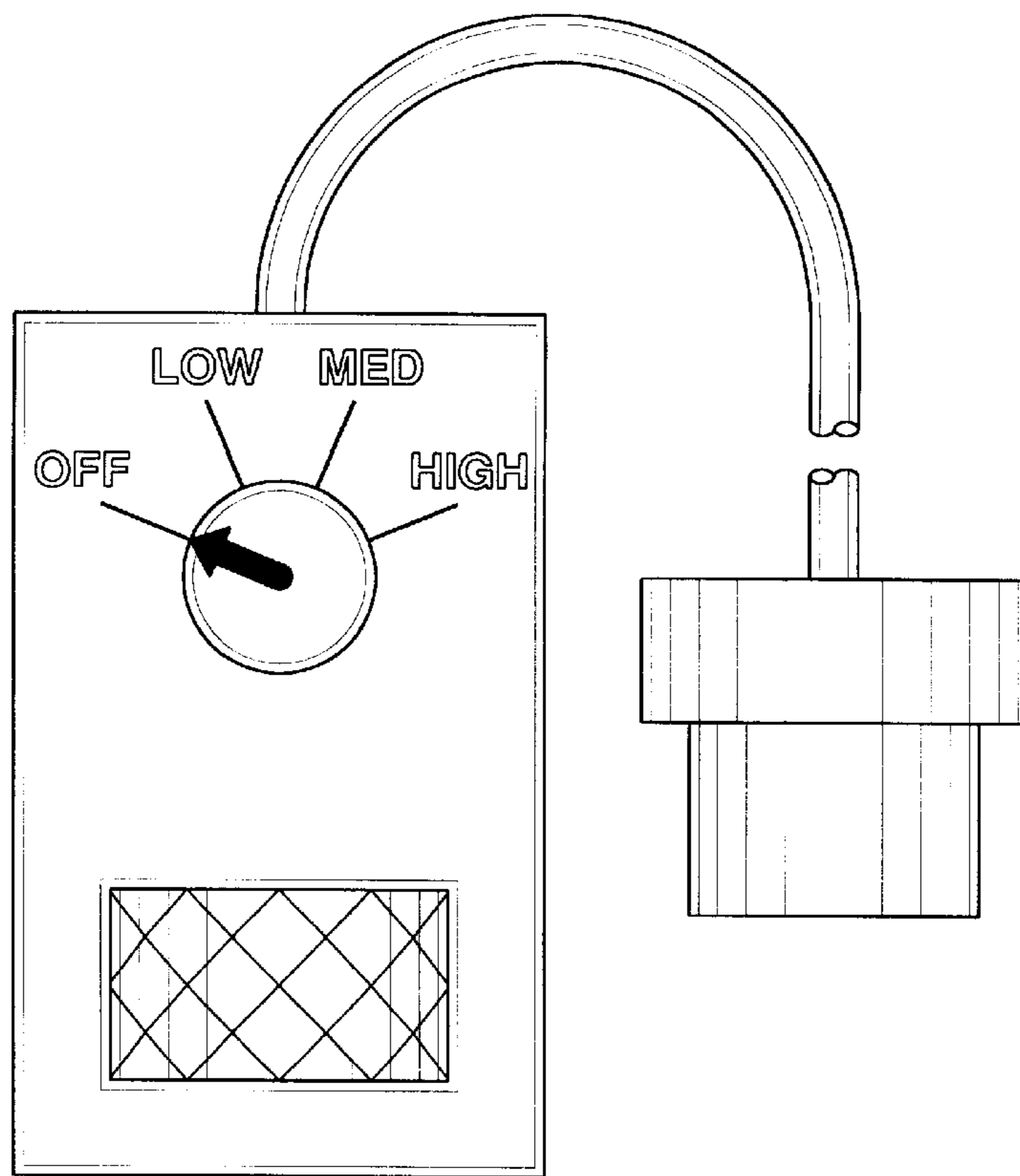
FIG. 4 is a right side plan view of the three way switch of FIG. 1;

FIG. 5 is a top plan view of the three way switch of FIG. 1; and,

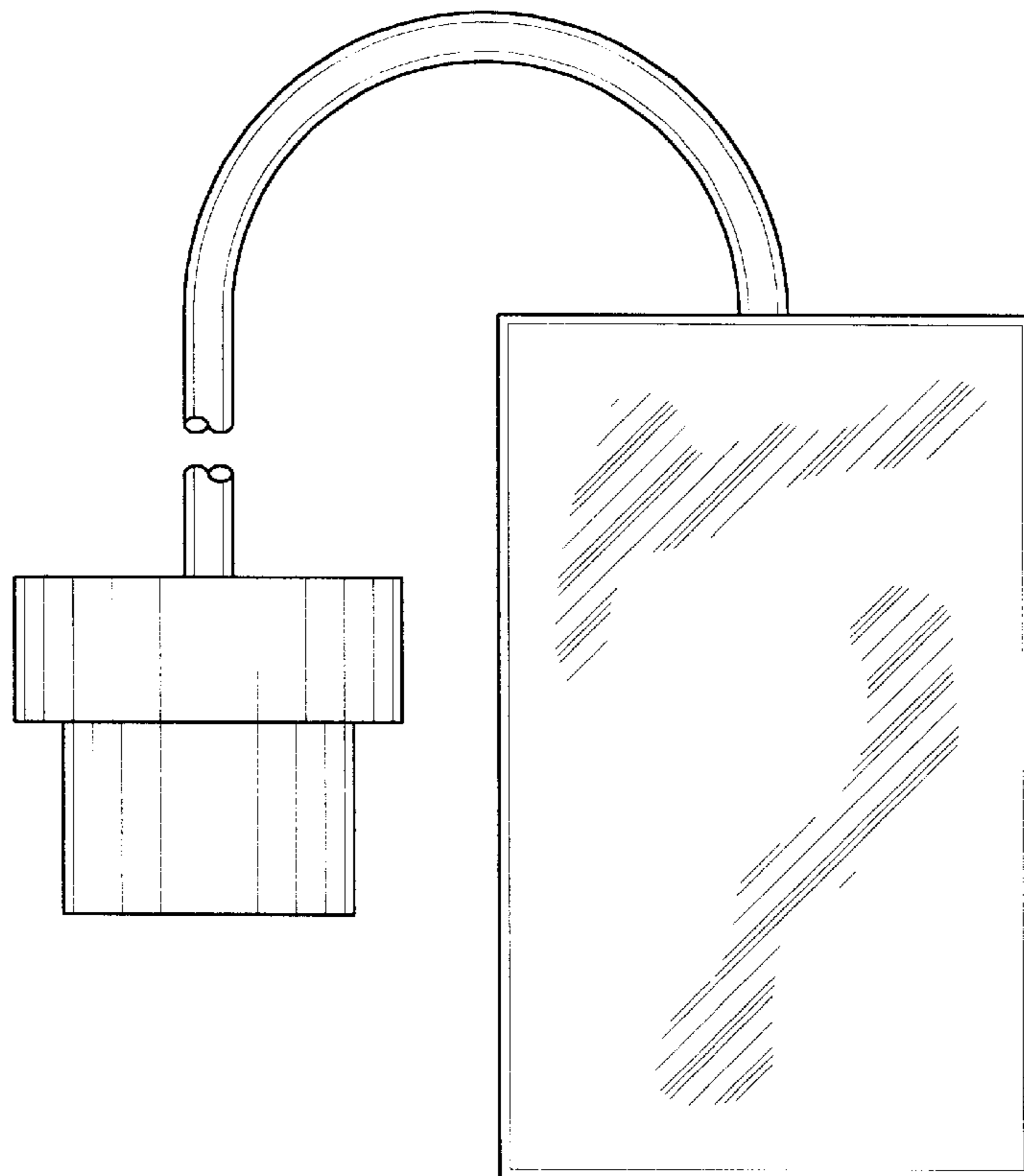
FIG. 6 is a bottom plan view of the three way switch of FIG. 1.

**1 Claim, 3 Drawing Sheets**

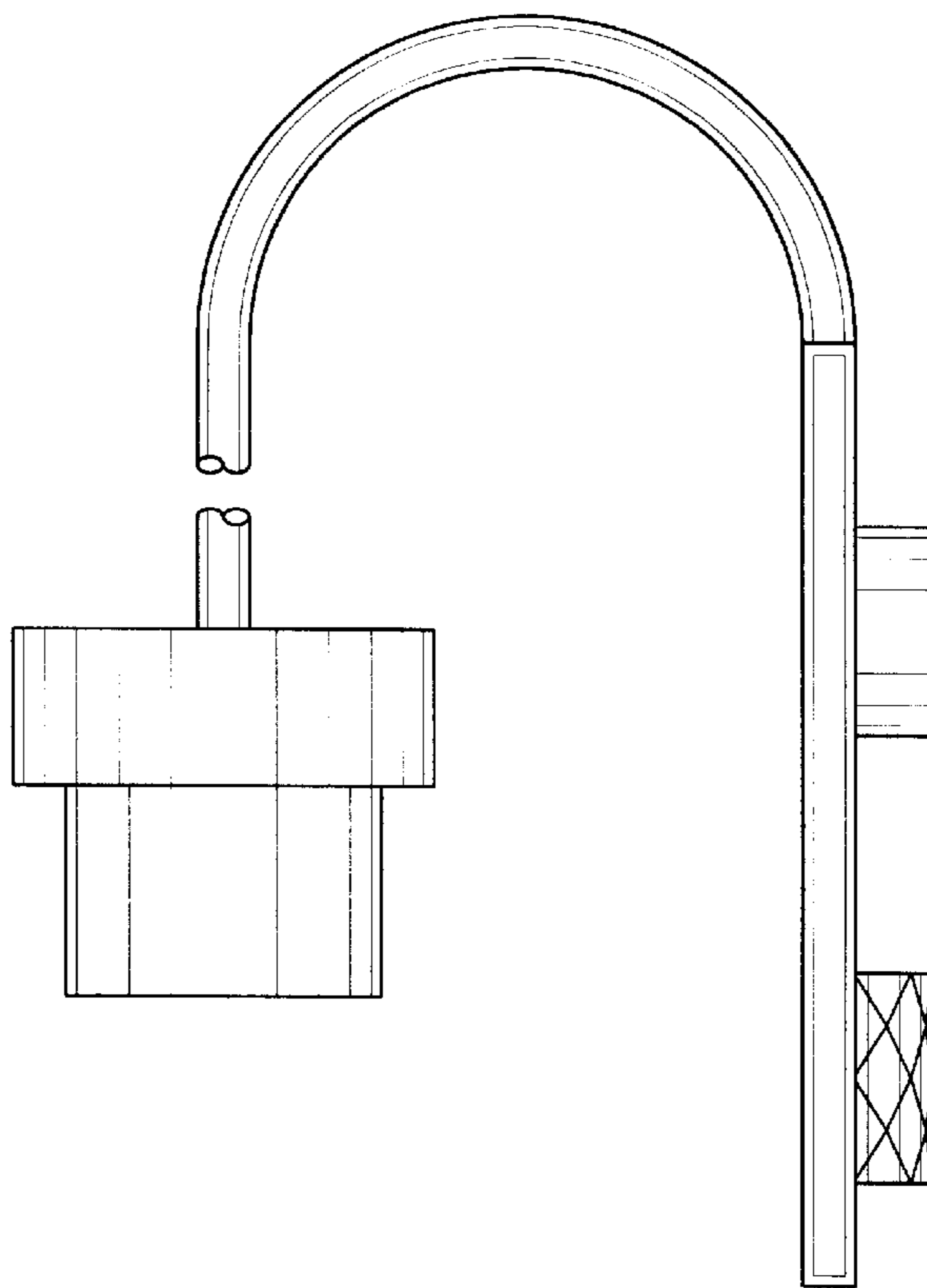




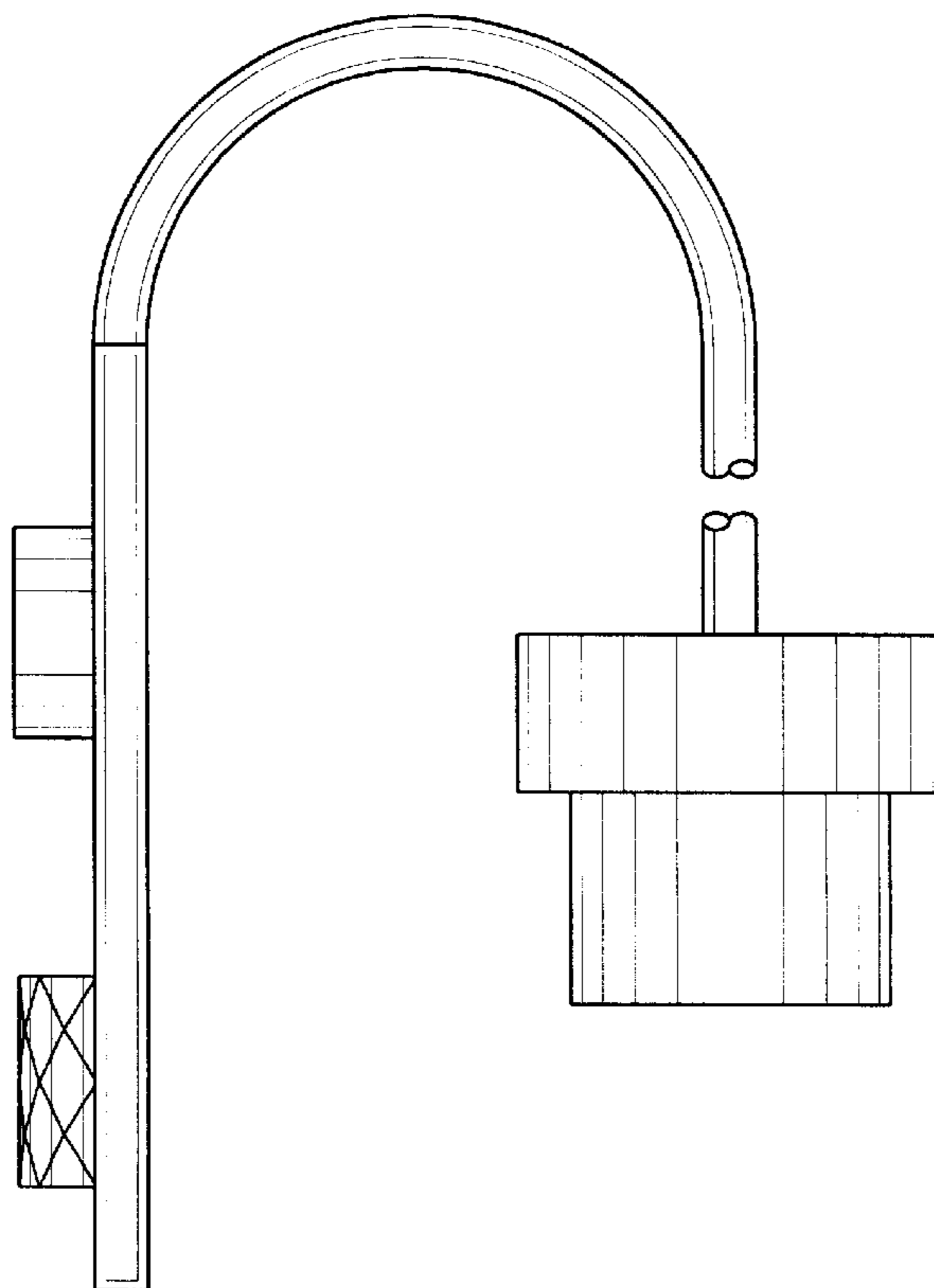
*Fig. 1*



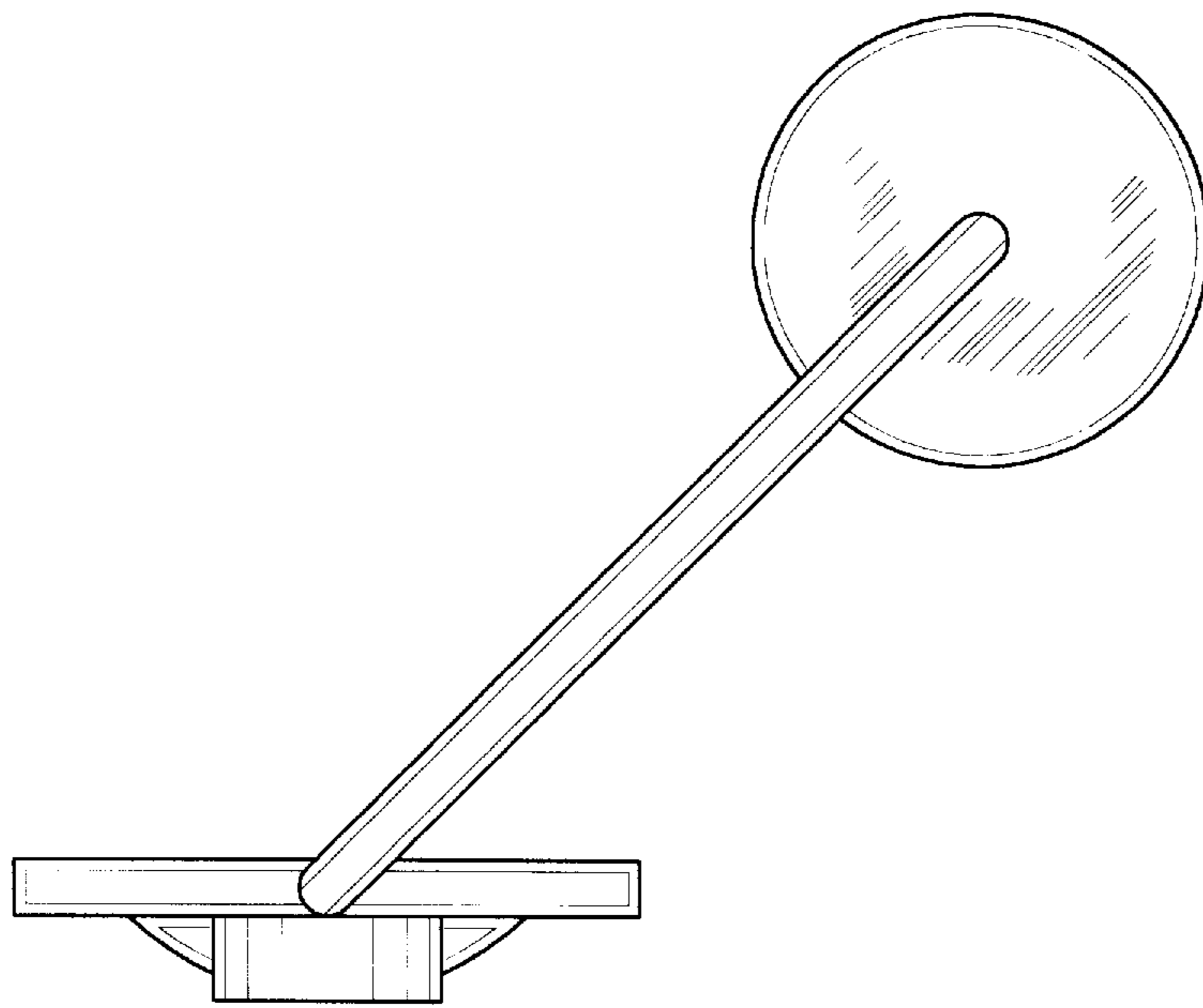
*Fig. 2*



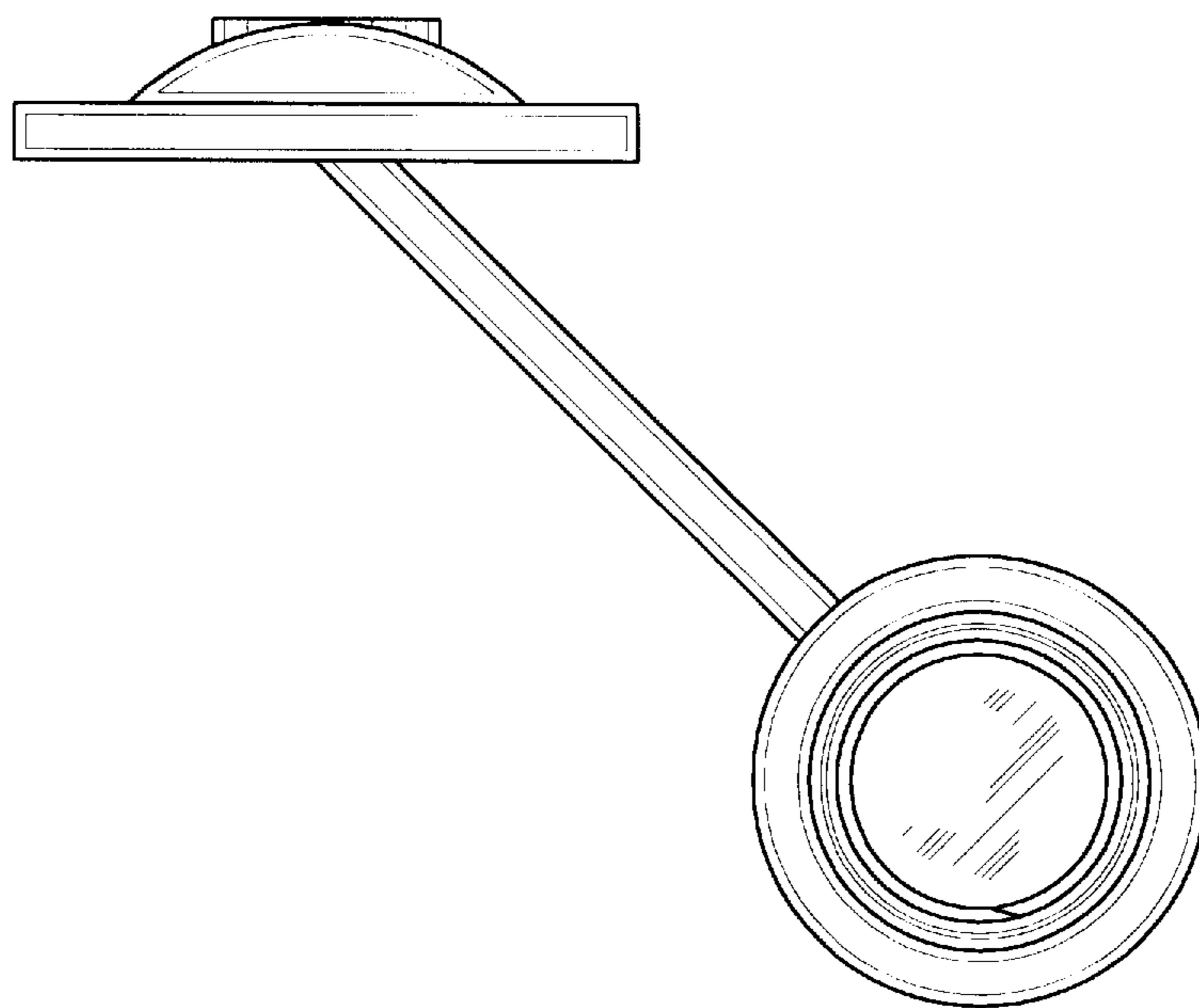
*Fig. 3*



*Fig. 4*



*Fig. 5*



*Fig. 6*