



US00D400178S

# United States Patent [19] Liu

[11] **Patent Number: Des. 400,178**

[45] **Date of Patent: \*\*Oct. 27, 1998**

[54] **EXTENSION COUPLER**

[75] Inventor: **Danny Liu, Hsin-Tien, Taiwan**

[73] Assignee: **Dan-Chief Enterprise Co., Ltd.,  
Taipei, Taiwan**

[\*\*] Term: **14 Years**

[21] Appl. No.: **69,523**

[22] Filed: **Apr. 24, 1997**

[51] **LOC (6) Cl. .... 13-03**

[52] **U.S. Cl. .... D13/147**

[58] **Field of Search ..... D13/133, 146-147;  
439/344, 350-354, 357, 358, 606-610,  
660, 676, 701**

[56] **References Cited**

**U.S. PATENT DOCUMENTS**

4,241,974	12/1980	Hardesty	.....	439/352	X
4,258,972	3/1981	Strate	.....	439/357	
4,648,678	3/1987	Archer	.....	439/676	X
4,904,209	2/1990	Nelson	.....	439/676	

**OTHER PUBLICATIONS**

AT&T Premises Distribution Products, Adapter—Item No. 267A2, p. 7, ©1987.

*Primary Examiner*—Alan P. Douglas  
*Assistant Examiner*—Lavone D. Tabor  
*Attorney, Agent, or Firm*—Madson & Metcalf

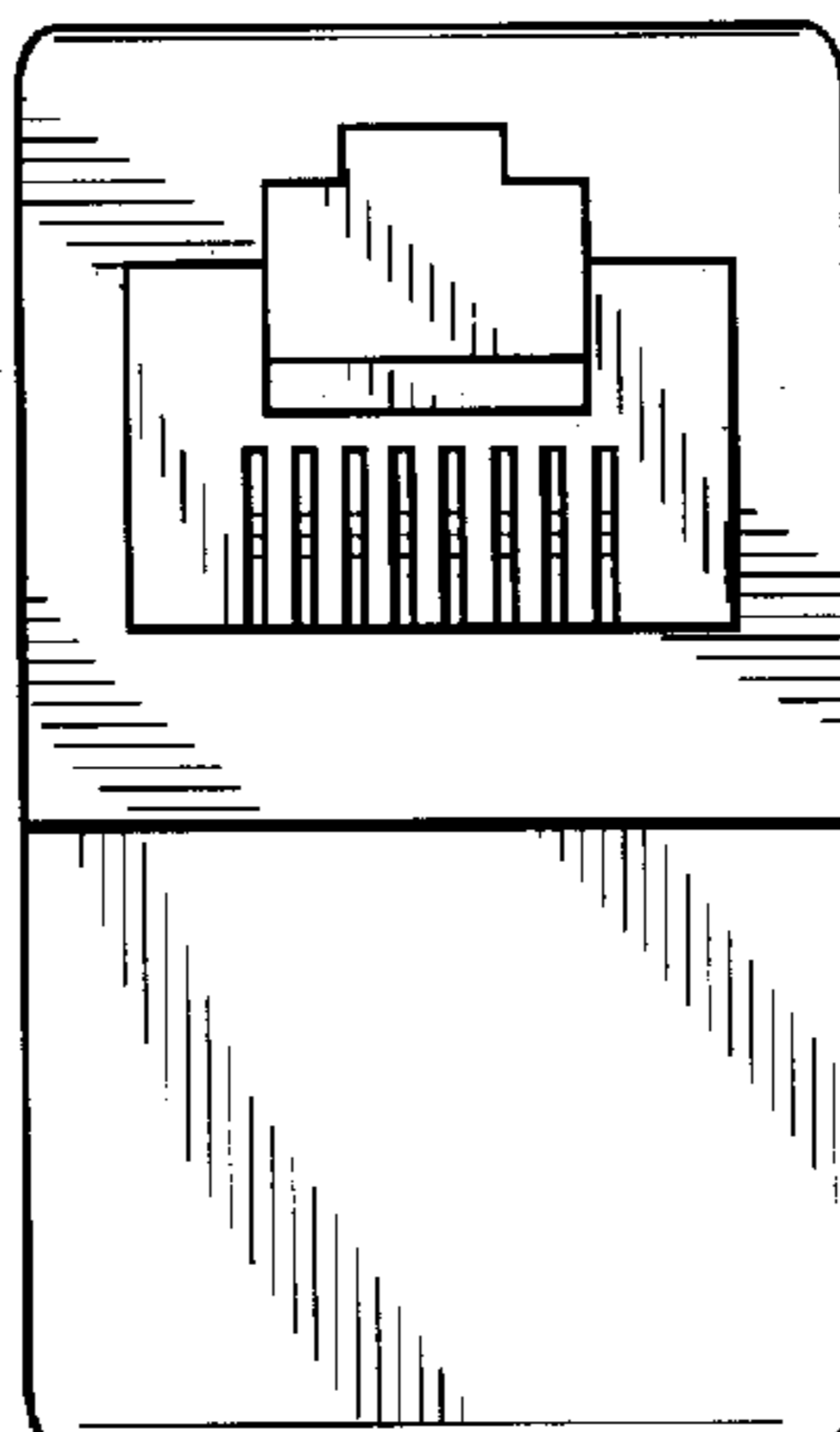
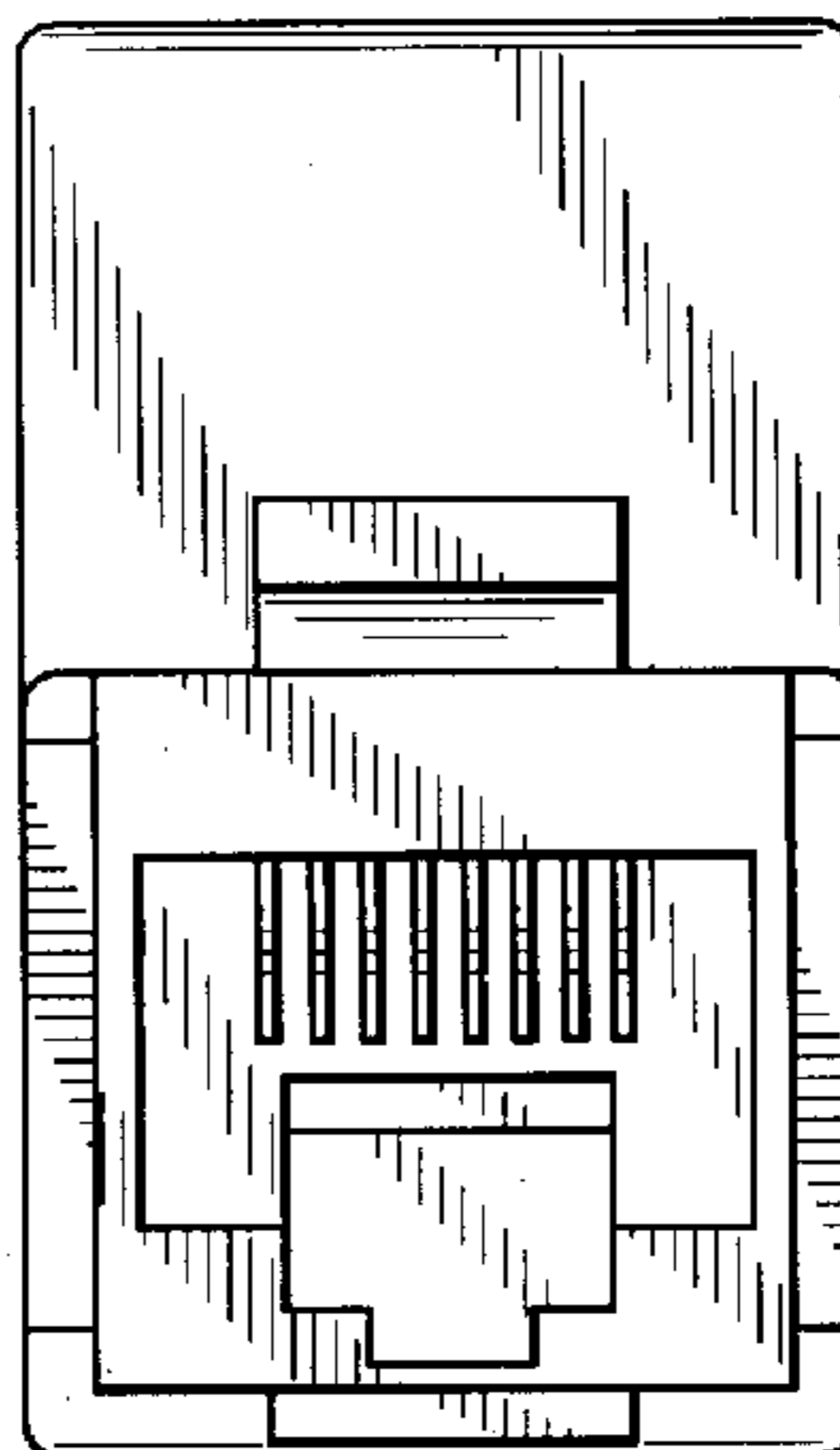
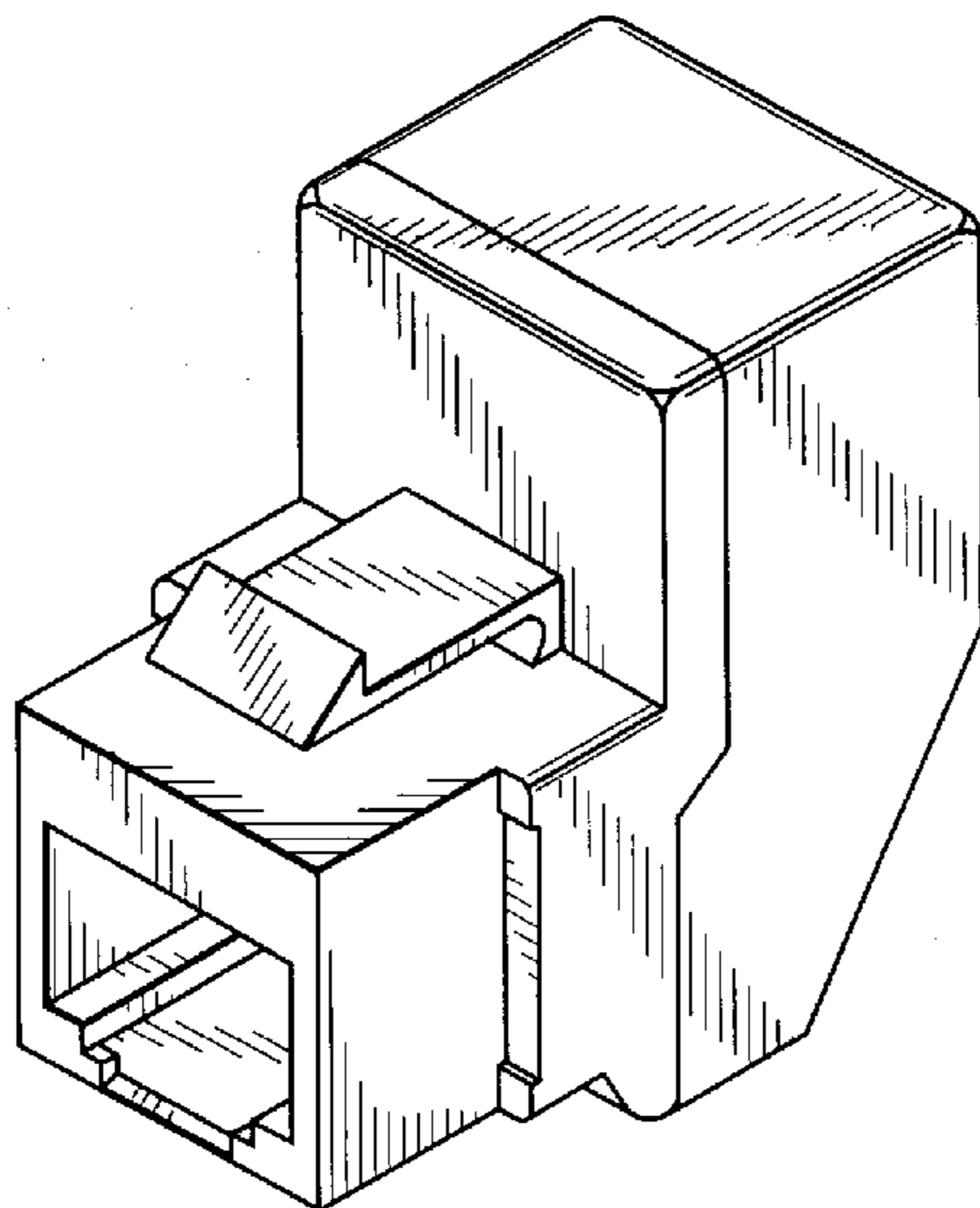
[57] **CLAIM**

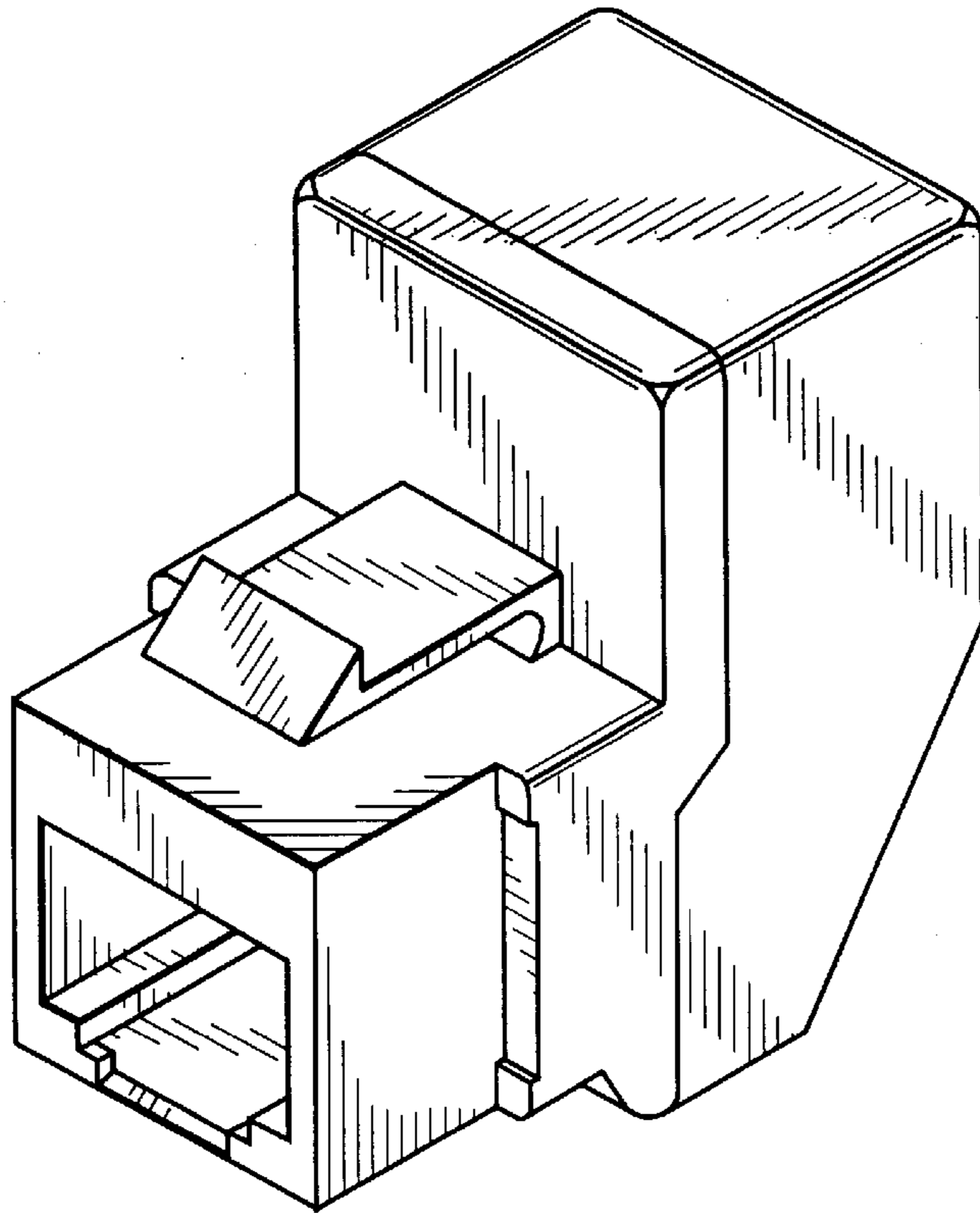
The ornamental design for an extension coupler, as shown and described.

**DESCRIPTION**

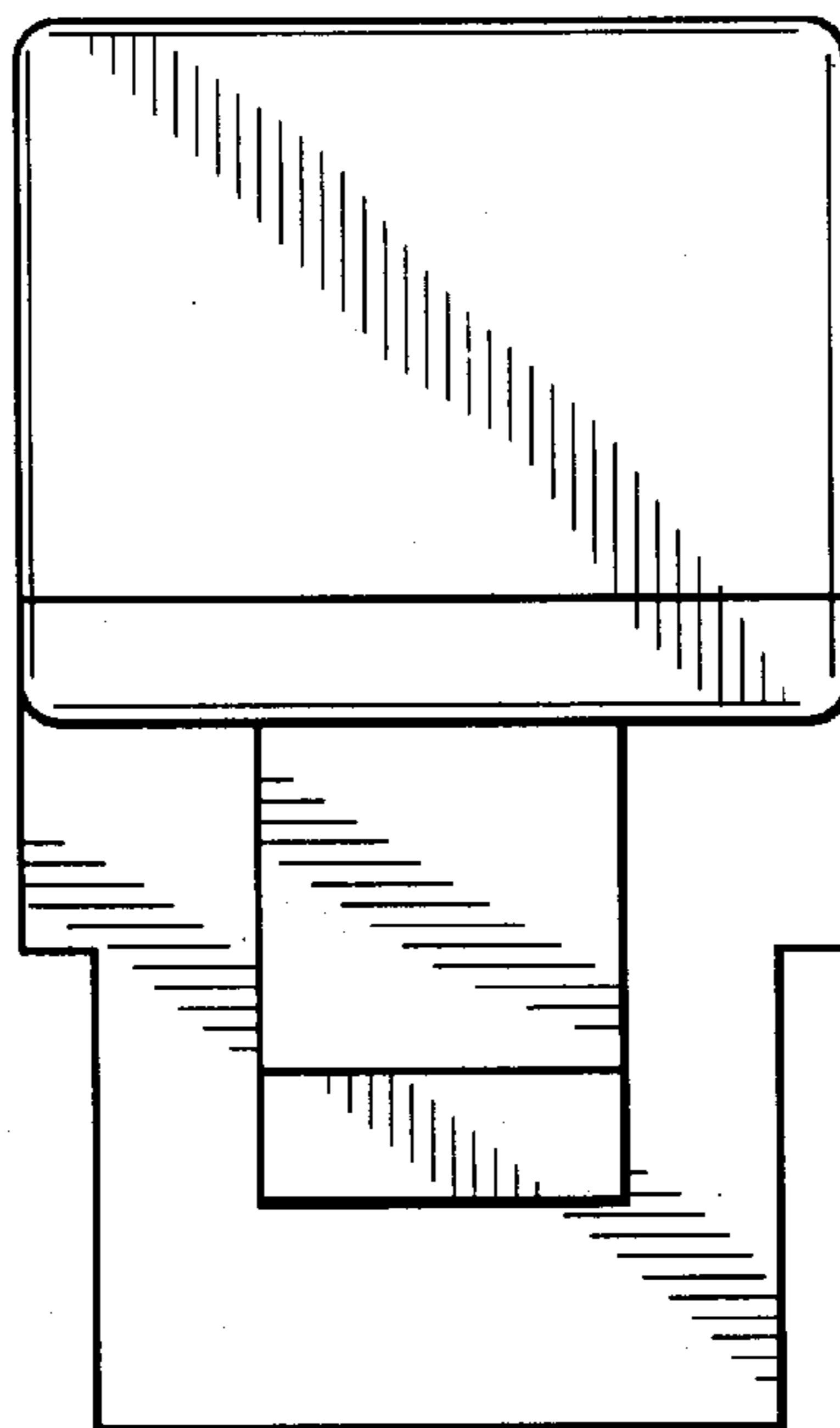
FIG. 1 is a perspective view of an extension coupler showing my new design;  
FIG. 2 is a top plan view thereof;  
FIG. 3 is a bottom plan view thereof;  
FIG. 4 is a front elevational view thereof;  
FIG. 5 is a rear elevational view thereof;  
FIG. 6 is a left side elevational view thereof; and,  
FIG. 7 is a right side elevational view thereof.

**1 Claim, 4 Drawing Sheets**

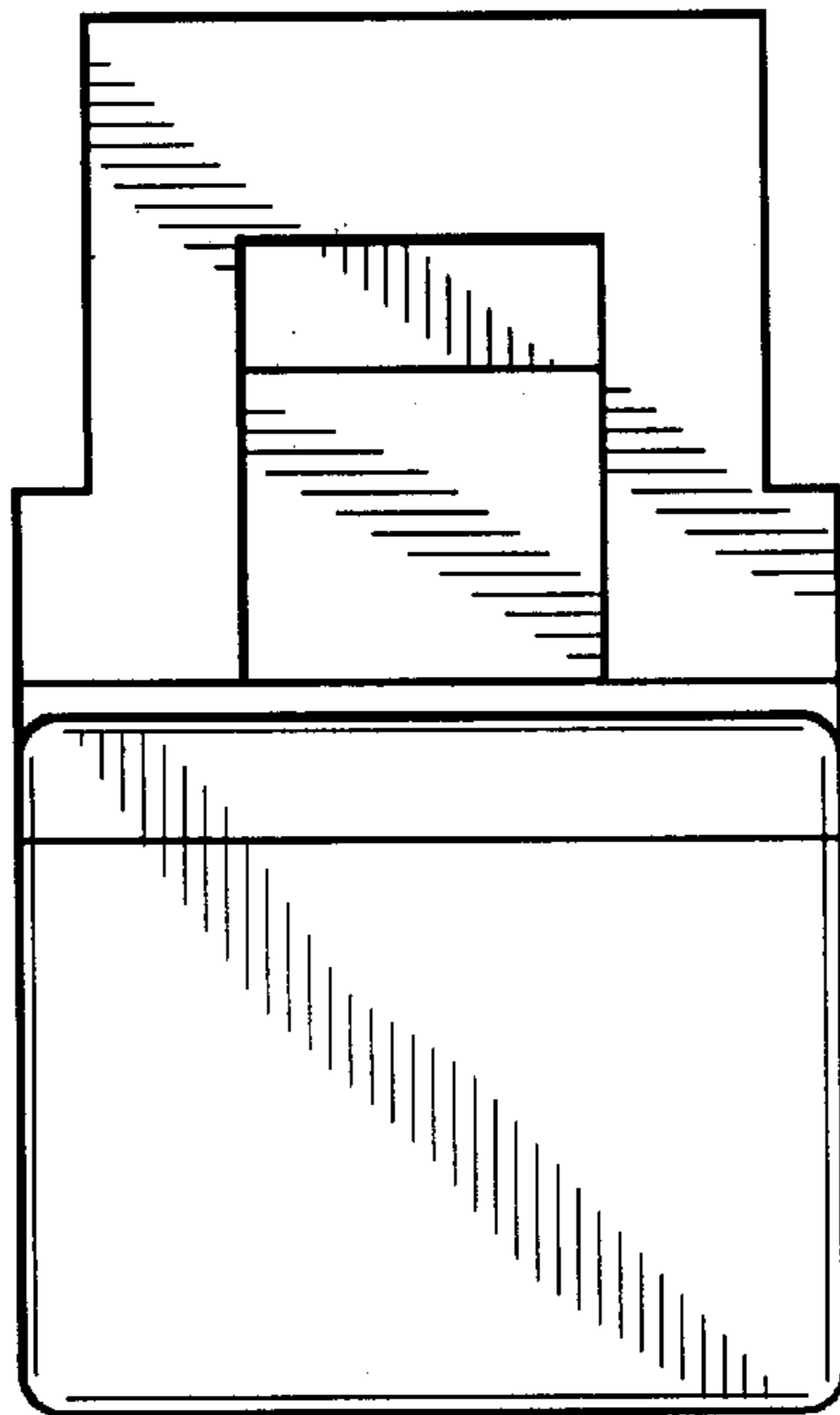




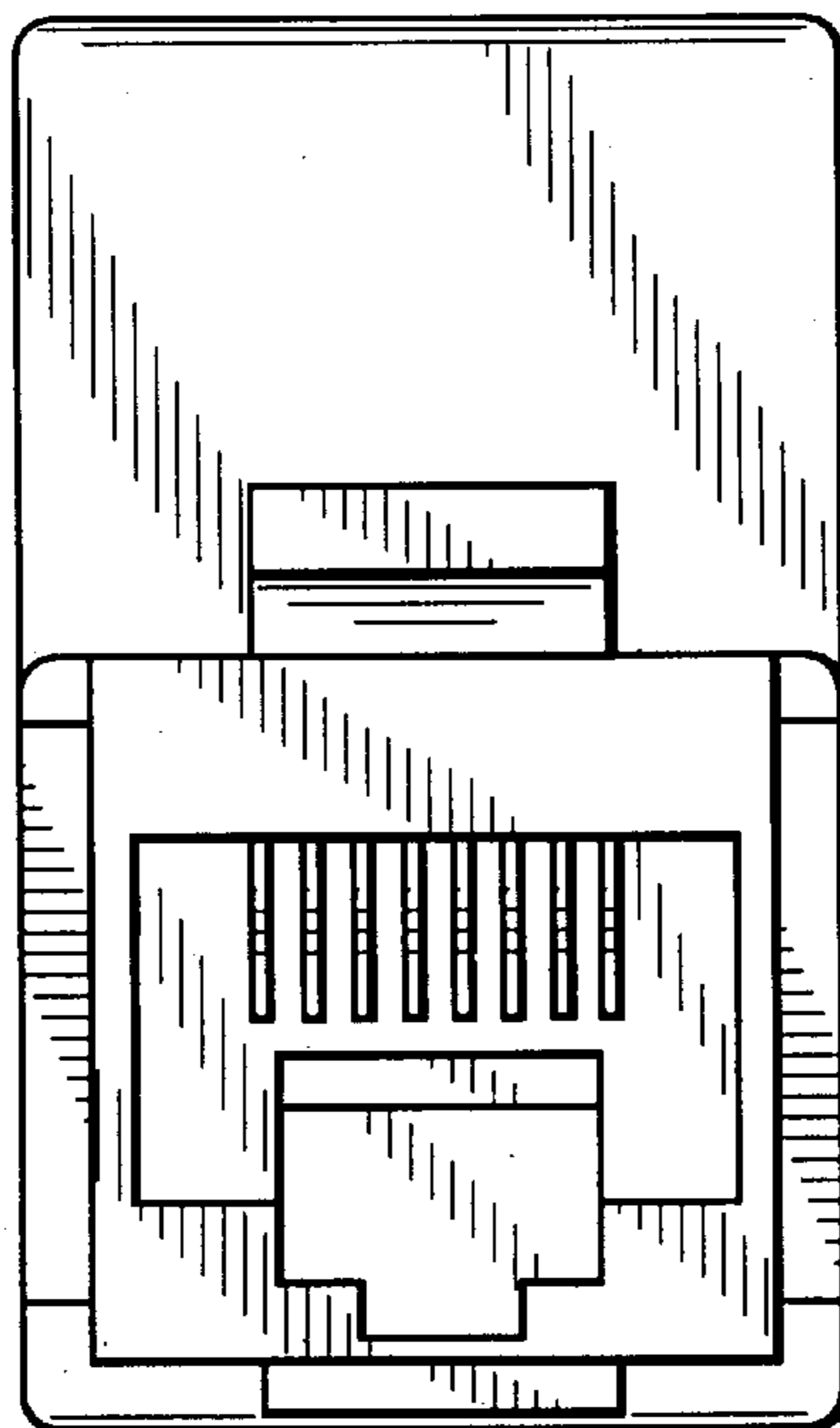
**Fig. 1**



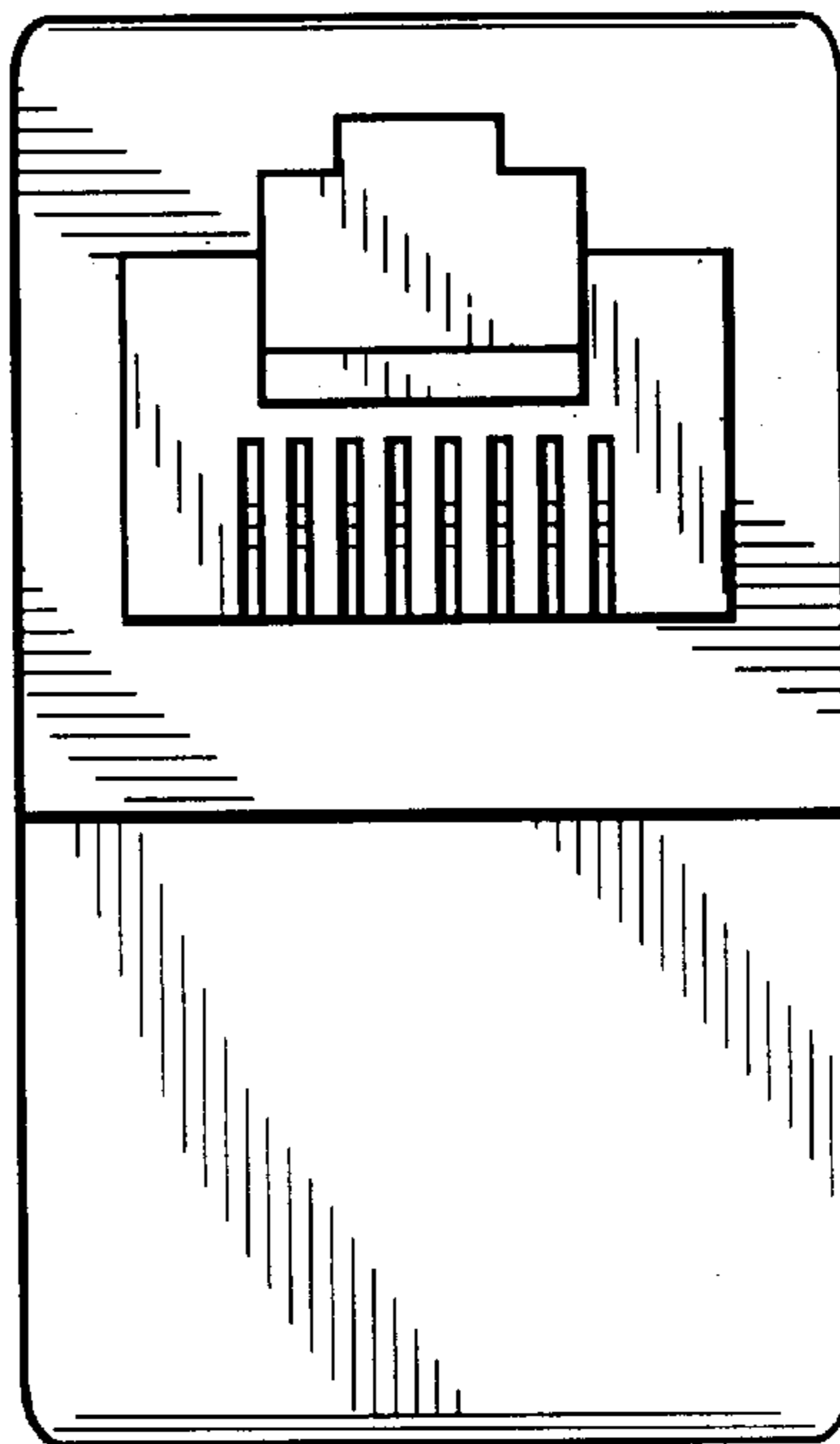
**Fig. 2**



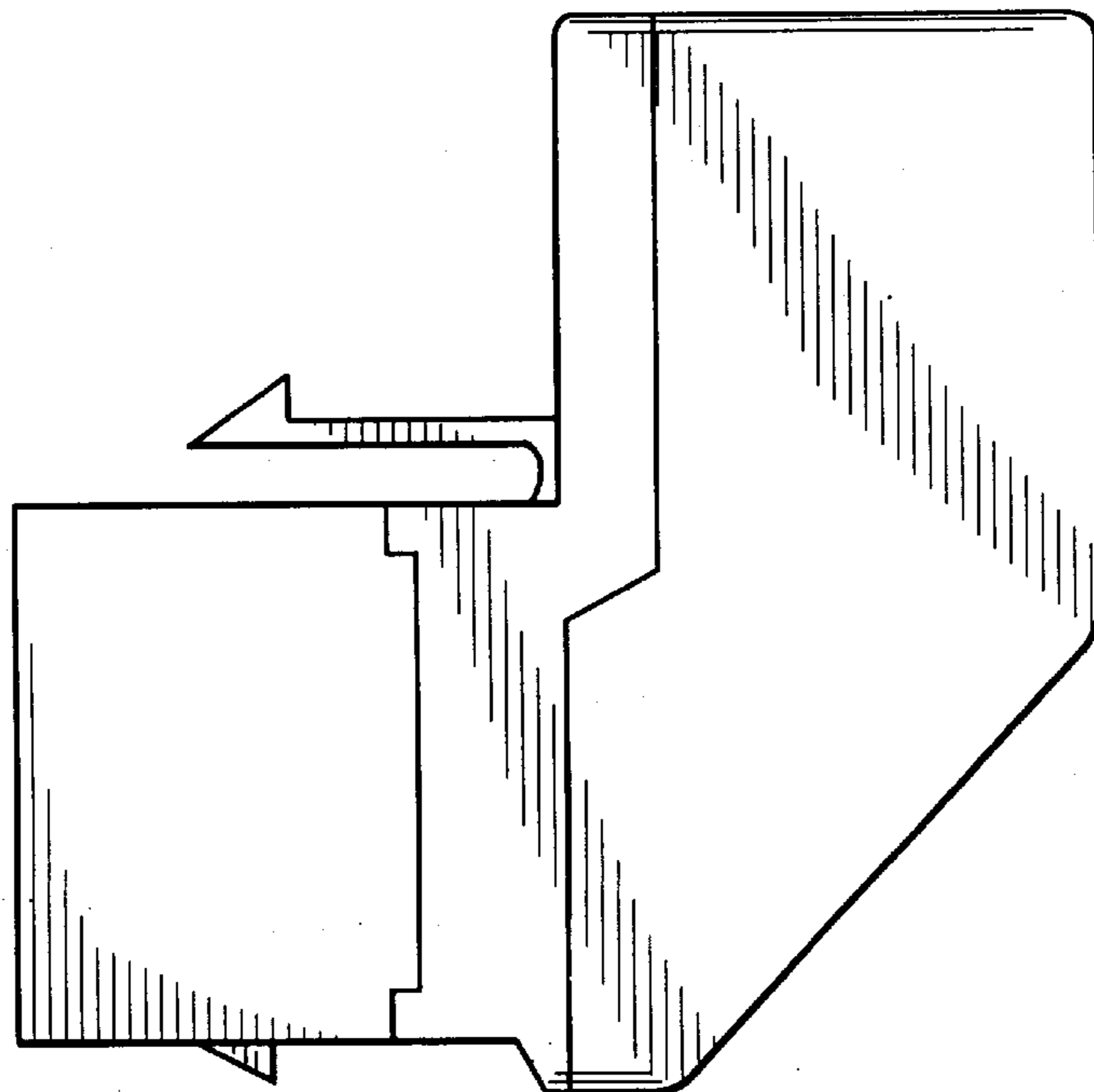
**Fig. 3**



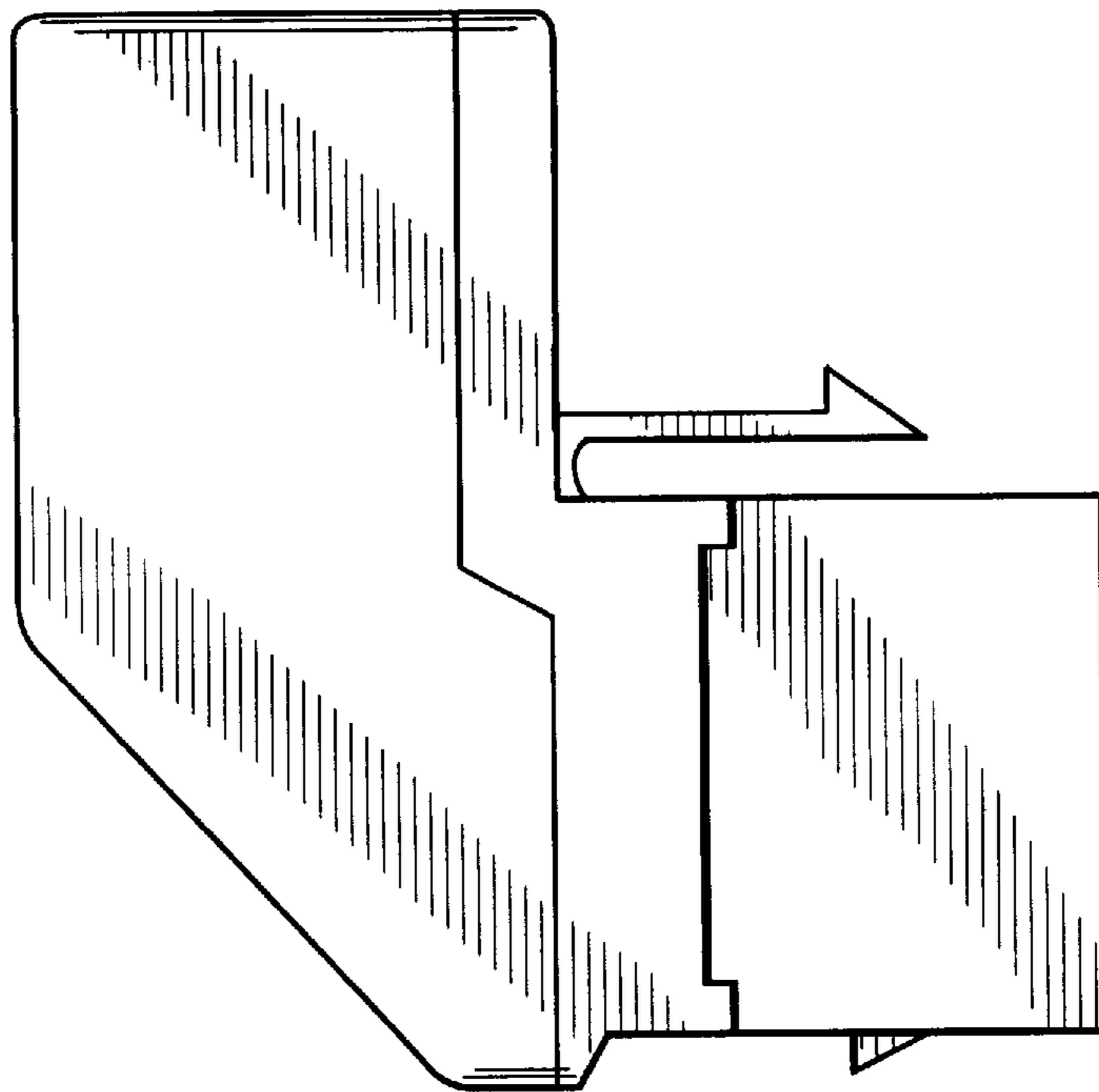
**Fig. 4**



**Fig. 5**



**Fig. 6**



**Fig. 7**