



US00D400177S

# United States Patent [19]

Jones

[11] **Patent Number: Des. 400,177**

[45] **Date of Patent: \*\*Oct. 27, 1998**

[54] **CIGARETTE LIGHTER ADAPTER**

[75] Inventor: **Christopher R. Jones**, Oak Lawn, Ill.

[73] Assignee: **Andrew Corporation**, Itasca, Ill.

[\*\*] Term: **14 Years**

[21] Appl. No.: **72,935**

[22] Filed: **Jun. 26, 1997**

[51] **LOC (6) Cl. .... 13-03**

[52] **U.S. Cl. .... D13/144**

[58] **Field of Search** ..... D13/144, 108,  
D13/107; D27/139, 142; 439/668, 669;  
337/216, 186; 363/146

[56] **References Cited**

**U.S. PATENT DOCUMENTS**

D. 345,960	4/1994	Boyd et al. ....	D13/144
D. 369,811	5/1996	Chen .....	D13/144
4,682,139	7/1987	Kuo .....	D13/144 X
5,230,641	7/1993	Wharton .....	439/668

*Primary Examiner*—Susan J. Lucas  
*Assistant Examiner*—Jennifer Rivard  
*Attorney, Agent, or Firm*—Lockwood, Alex, FitzGibbon & Cummings

[57] **CLAIM**

The ornamental design of the cigarette lighter adapter, as shown and described.

**DESCRIPTION**

FIG. 1 is a perspective view of the cigarette lighter adapter showing my new design;  
FIG. 2 is a top plan view of the cigarette lighter adapter showing my new design, the bottom plan view being a mirror image;  
FIG. 3 is a side view of the cigarette lighter adapter showing my new design, the opposite side view being a mirror image;  
FIG. 4 is a front elevational view of the cigarette lighter adapter showing my new design; and,  
FIG. 5 is a back elevational view of the cigarette lighter adapter showing my new design.

The broken lines are shown for illustrative purposes only and form no part of the claimed design.

**1 Claim, 1 Drawing Sheet**

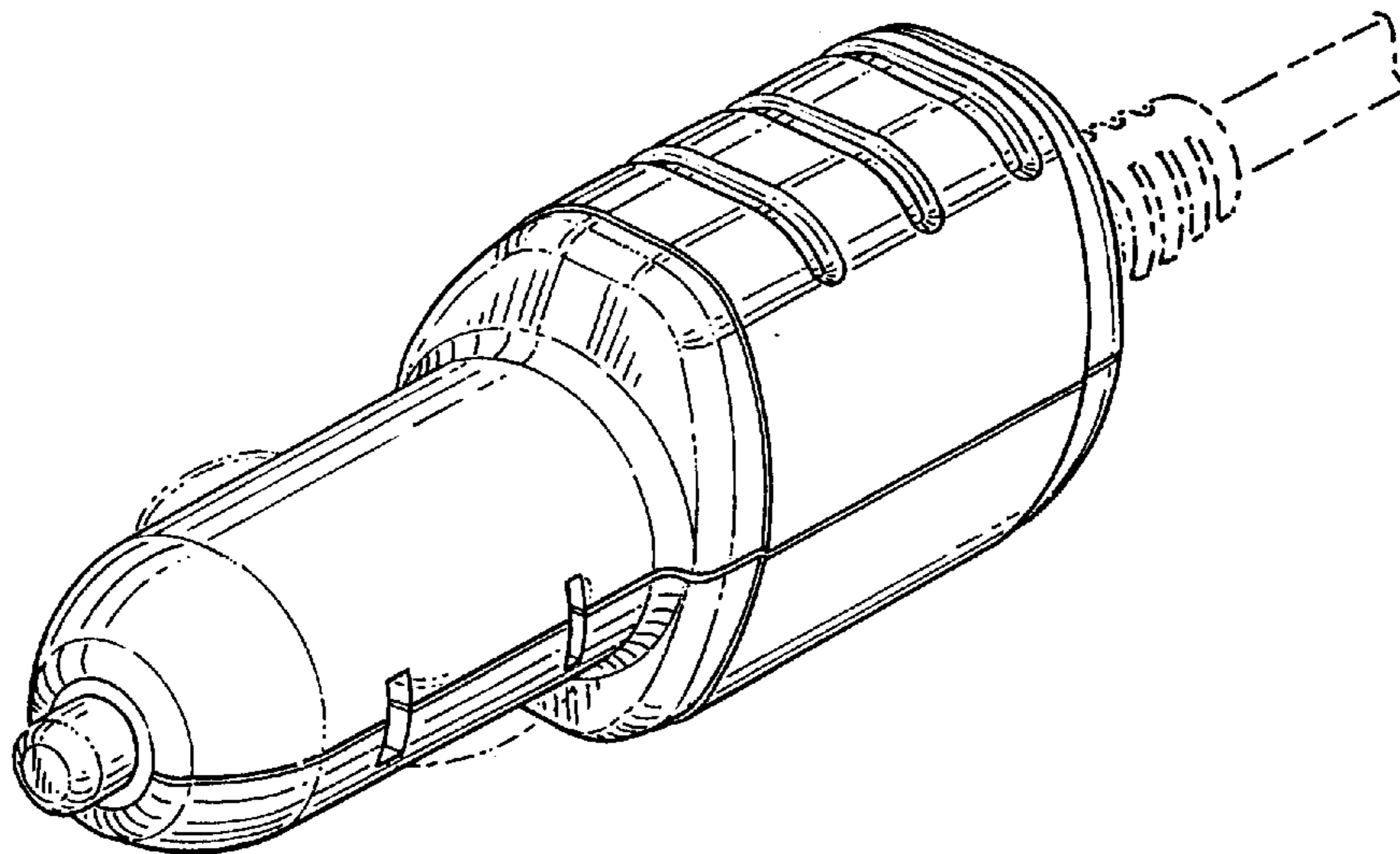


FIG. 1

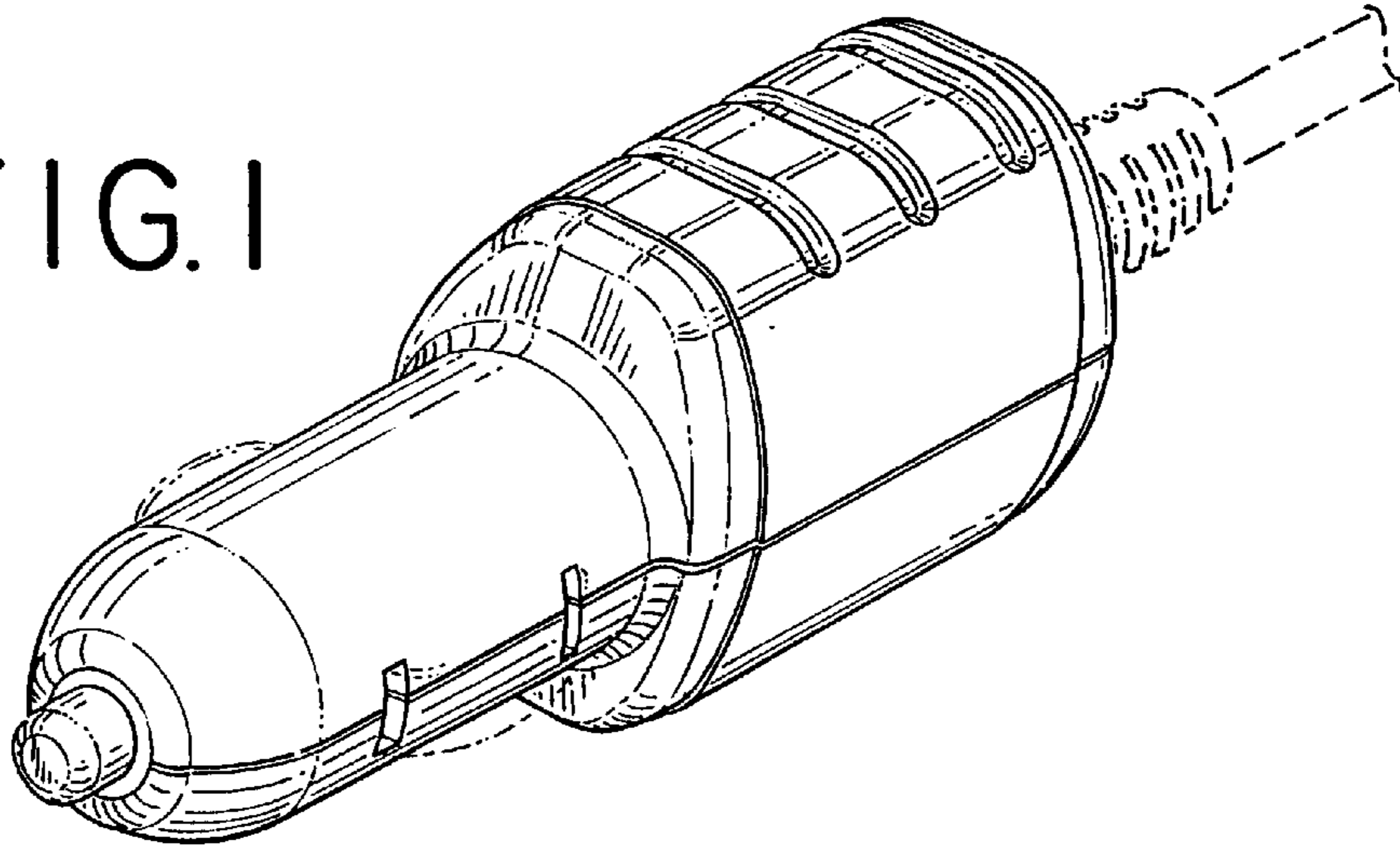


FIG. 2

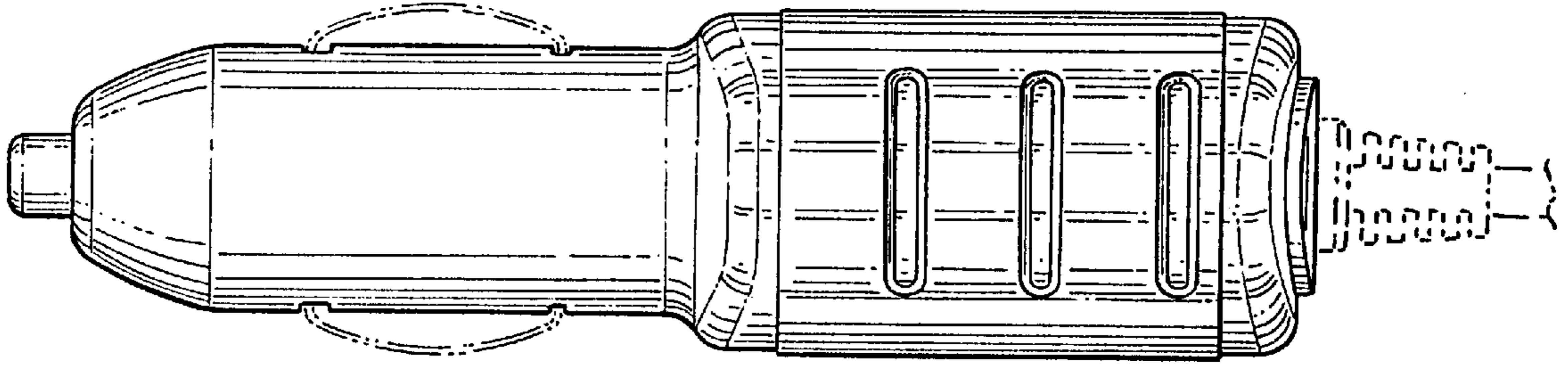


FIG. 3

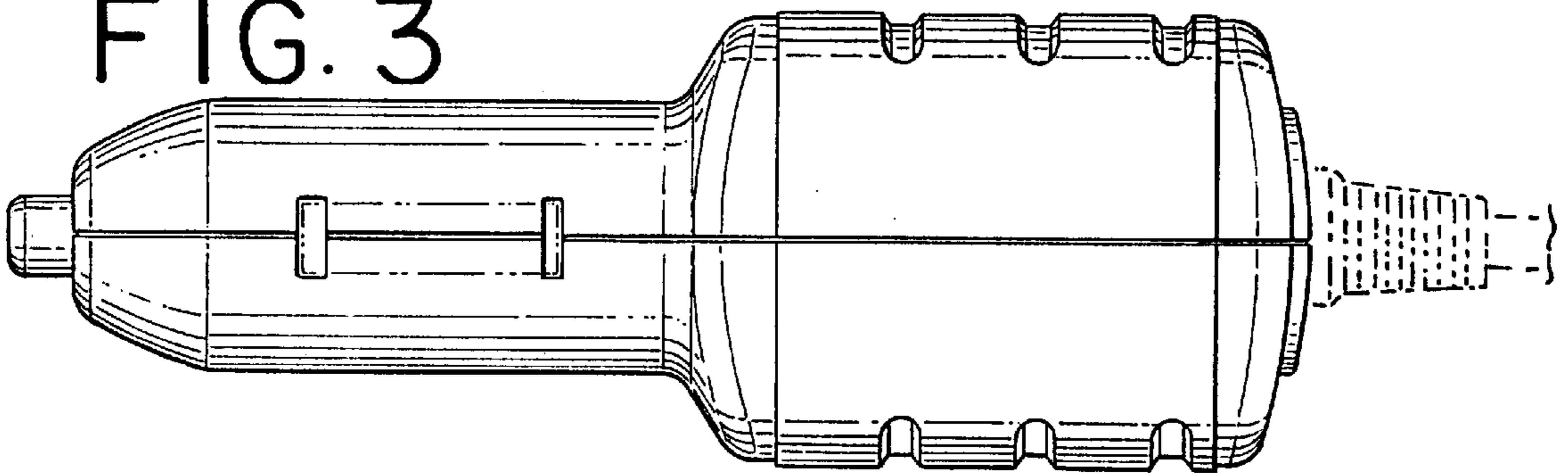


FIG. 4

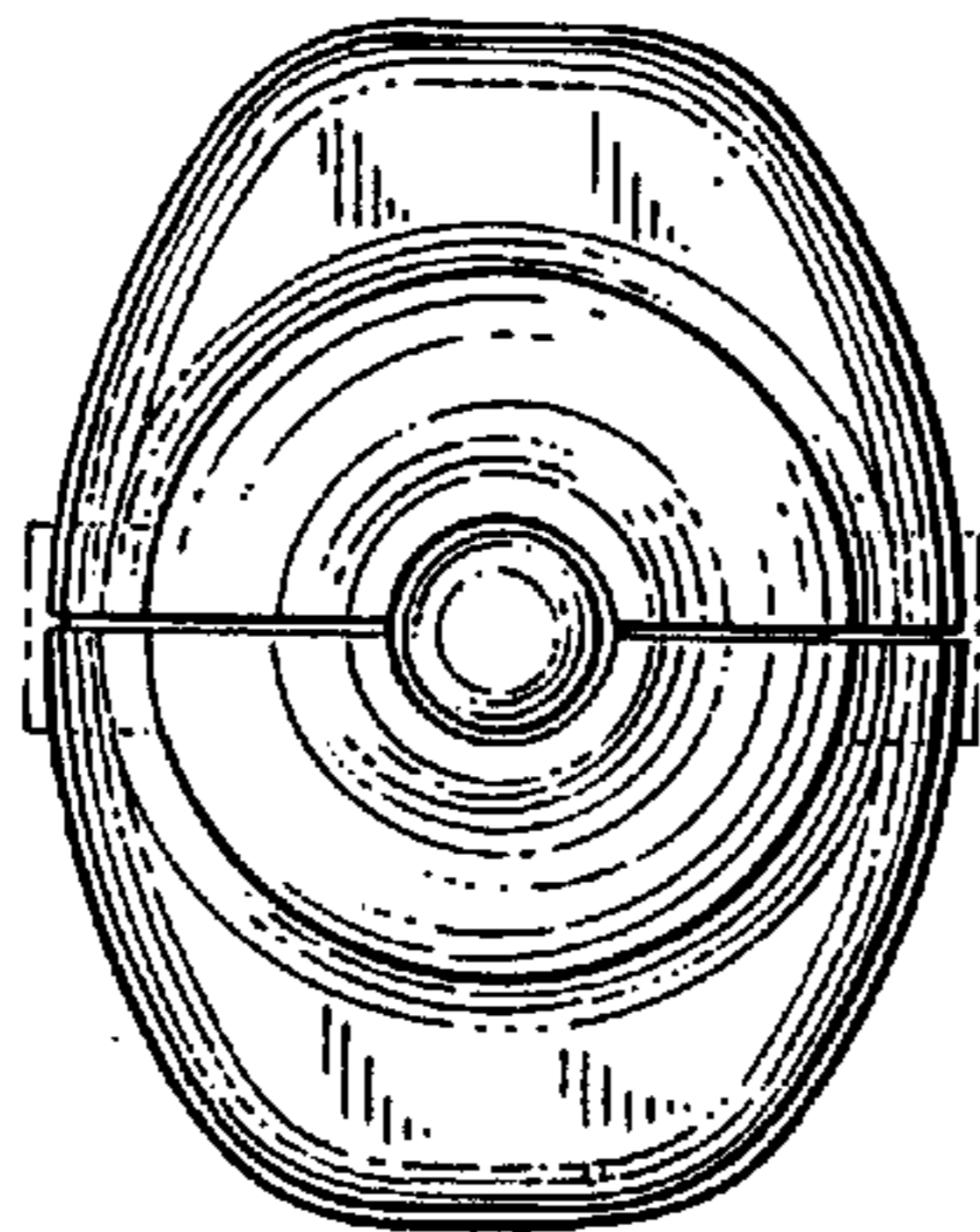


FIG. 5

