



US00D400176S

United States Patent [19]
Jones

[11] **Patent Number: Des. 400,176**

[45] **Date of Patent: **Oct. 27, 1998**

[54] **CIGARETTE LIGHTER ADAPTER**

[75] Inventor: **Christopher R. Jones**, Oak Lawn, Ill.

[73] Assignee: **Andrew Corporation**, Itasca, Ill.

[**] Term: **14 Years**

[21] Appl. No.: **70,717**

[22] Filed: **May 14, 1997**

[51] **LOC (6) Cl. 13-03**

[52] **U.S. Cl. D13/144**

[58] **Field of Search** D13/144, 107,
D13/108; D27/139, 142; 363/146; 439/668,
669; 337/216, 186

[56] **References Cited**

U.S. PATENT DOCUMENTS

| | | | |
|------------|--------|------------------|-----------|
| D. 345,960 | 4/1994 | Boyd et al. | D13/144 |
| D. 369,811 | 5/1996 | Chen | D13/144 |
| 4,682,139 | 7/1987 | Kuo | D13/144 X |
| 5,230,641 | 7/1993 | Wharton | 439/668 |

Primary Examiner—Susan J. Lucas
Assistant Examiner—Jennifer Rivard
Attorney, Agent, or Firm—Lockwood, Alex, FitzGibbon & Cummings

[57] **CLAIM**

The ornamental design of the cigarette lighter adapter, as shown and described.

DESCRIPTION

FIG. 1 is an perspective view of the cigarette lighter adapter showing my new design;

FIG. 2 is a side elevational view of the cigarette lighter adapter showing my new design, the opposite side view being a mirror image;

FIG. 3 is a top plan view of the cigartte lighter adapter showing my new design, the bottom plan view being a mirror image;

FIG. 4 is a front elevational view of the cigarette lighter adapter showing my new design; and,

FIG. 5 is a back elevational view of the cigarette lighter adapter showing my new design.

The broken lines are shown for illustrative purposes only and form no part of the claimed design.

1 Claim, 1 Drawing Sheet

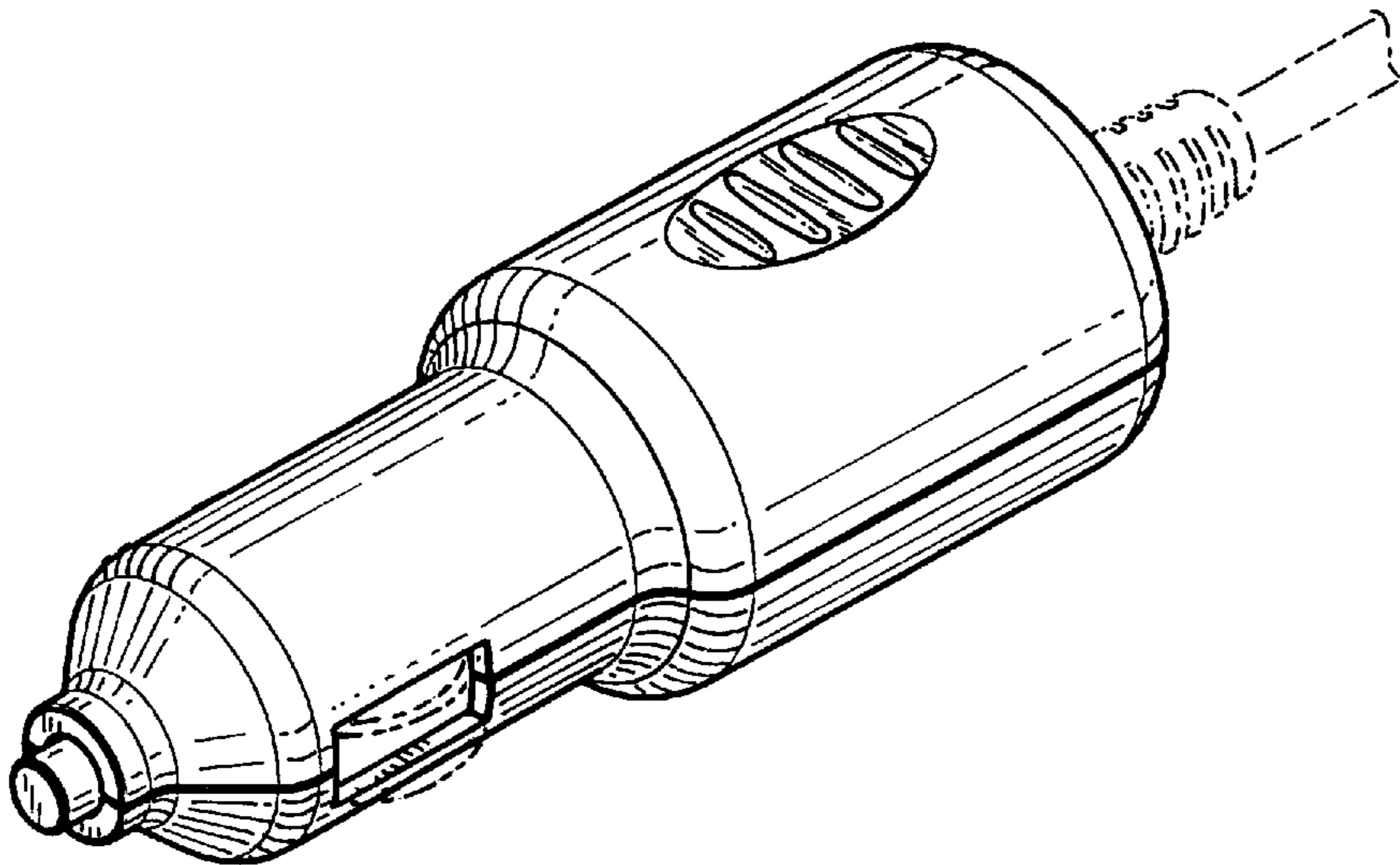


FIG. 1

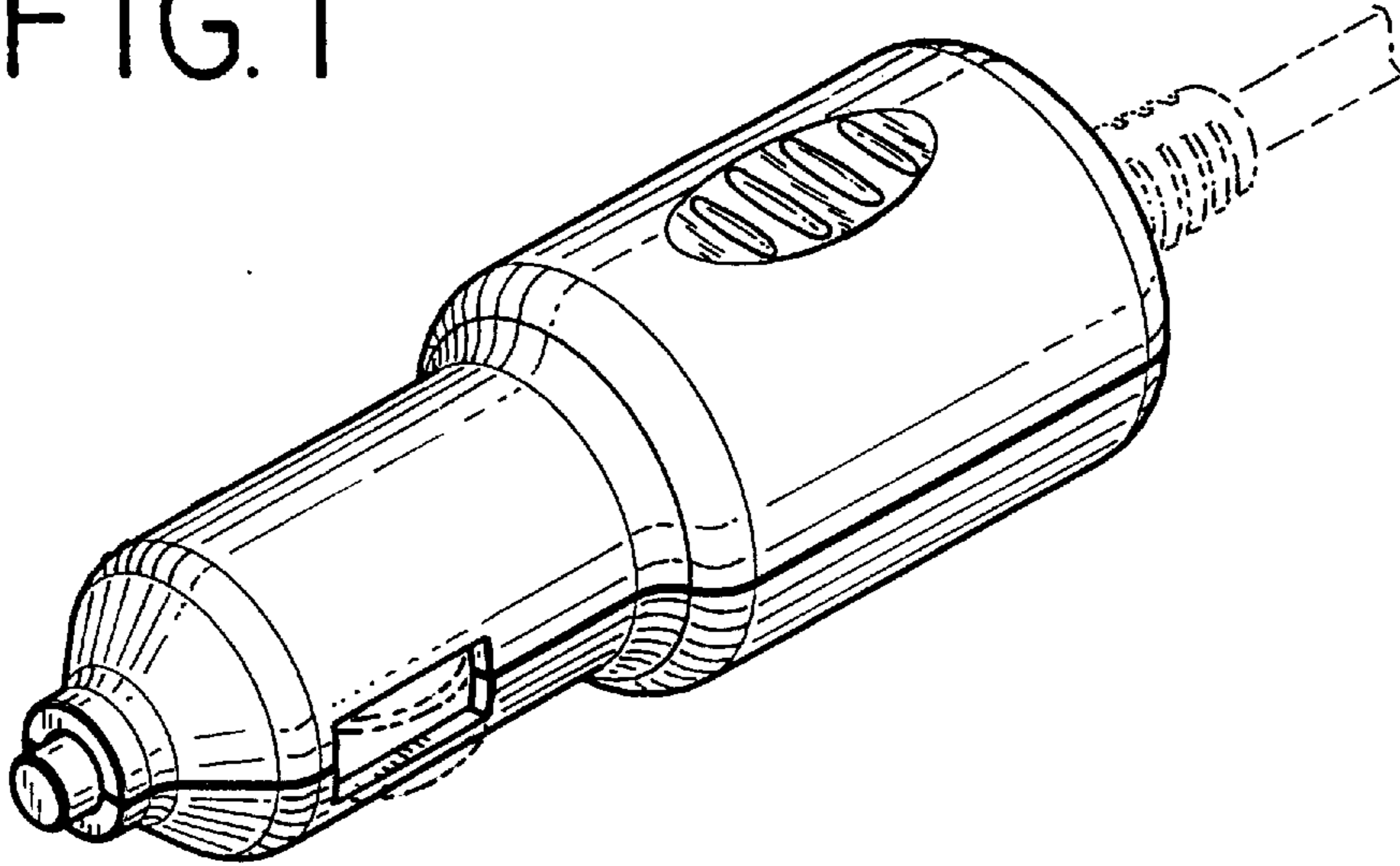


FIG. 2

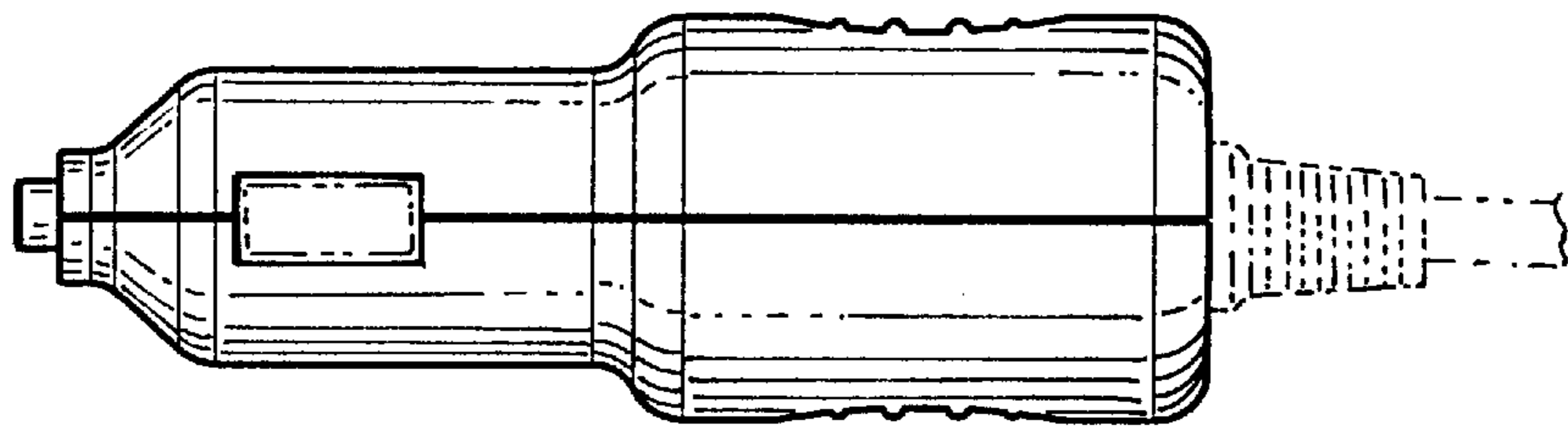


FIG. 3

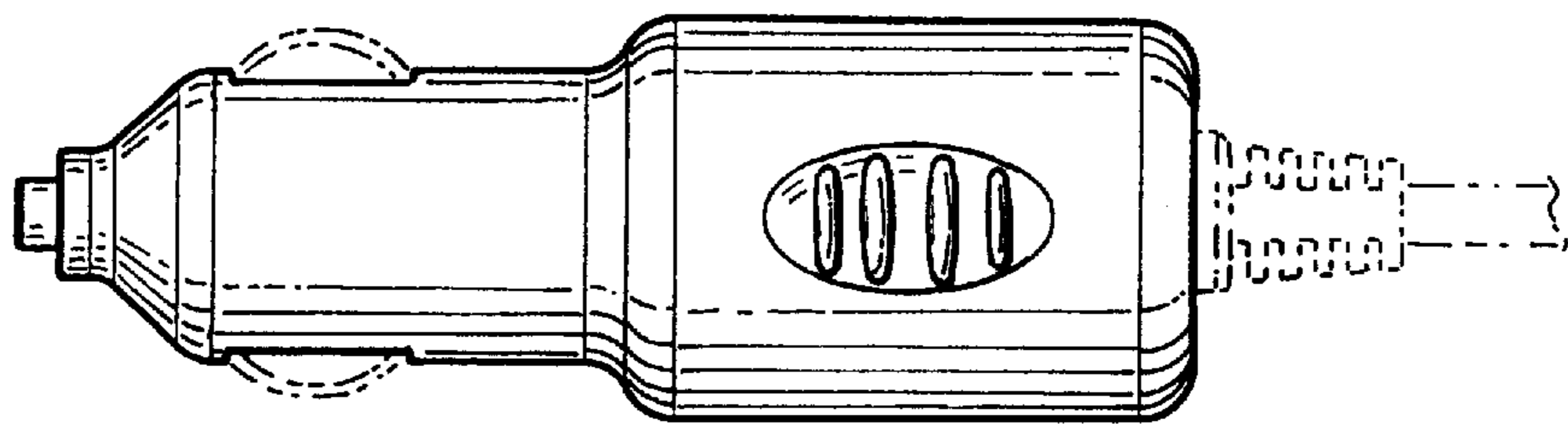


FIG. 4

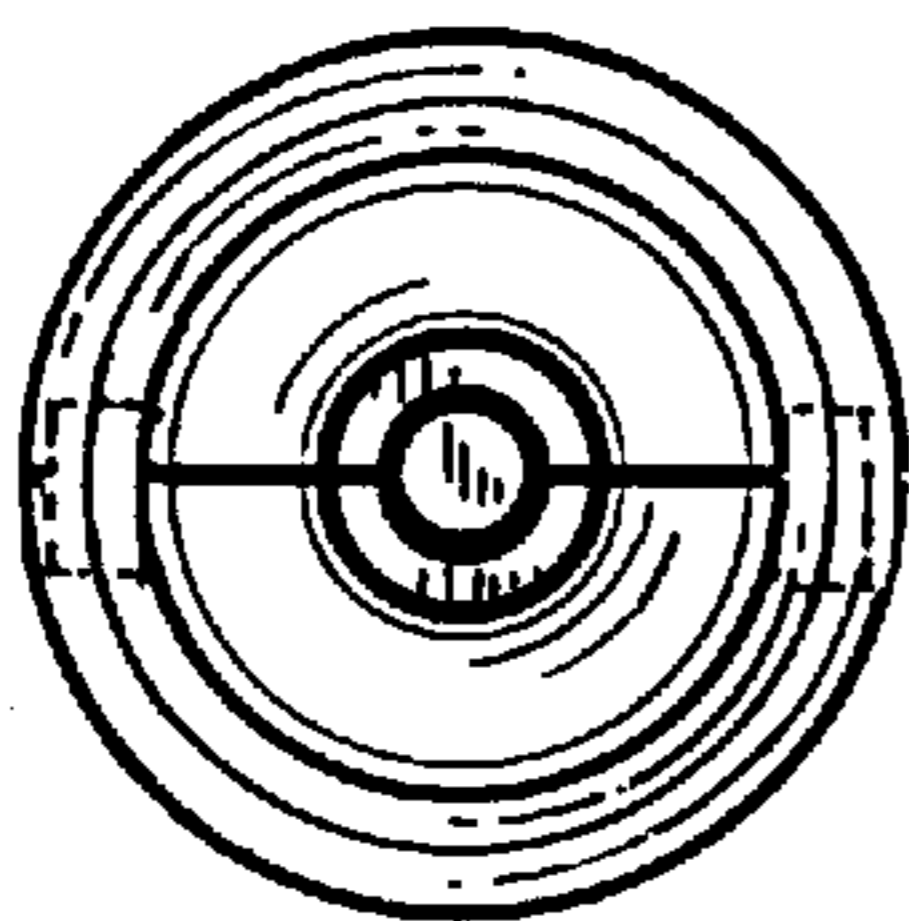


FIG. 5

