



US00D400175S

United States Patent [19]
Okamoto

[11] **Patent Number: Des. 400,175**

[45] **Date of Patent: **Oct. 27, 1998**

[54] **COMBINED OUTLET AND HAND REEL**

[75] Inventor: **Isao Okamoto**, Osaka, Japan

[73] Assignee: **Nichido Kogyo Kabushiki Kaisha**,
Osaka, Japan

[**] Term: **14 Years**

[21] Appl. No.: **70,067**

[22] Filed: **Apr. 25, 1997**

[51] **LOC (6) Cl.** **13-03**

[52] **U.S. Cl.** **D13/139.7; D8/359; D13/137.4**

[58] **Field of Search** 191/12 R, 12.4,
191/12.2 R; 242/400.1, 405.1, 405.2, 405.3;
439/501, 502, 4, 456, 459, 620, 654; D13/137.1-137.4,
139.1-139.8

[56] **References Cited**

U.S. PATENT DOCUMENTS

- D. 294,487 3/1988 Bannigan D13/137.4
- D. 298,214 10/1988 Adachi D8/359

- D. 327,873 7/1992 Luu D13/139.8
- 3,290,453 12/1966 Jensen 191/12.4

Primary Examiner—Susan J. Lucas
Assistant Examiner—Jennifer Rivard
Attorney, Agent, or Firm—McDermott, Will & Emery

[57] **CLAIM**

The ornamental design for a combined outlet and hand reel, as shown and described.

DESCRIPTION

FIG. 1 is a front view of the first embodiment of a combined outlet and hand reel showing my new design; FIG. 2 is a rear view thereof; FIG. 3 is a right side view thereof, the left side view being a mirror image; FIG. 4 is a top plan view thereof; FIG. 5 is a front perspective view thereof; FIG. 6 is a front perspective view of the second embodiment of a combined outlet and hand reel; and, FIG. 7 is a rear perspective view thereof.

1 Claim, 4 Drawing Sheets

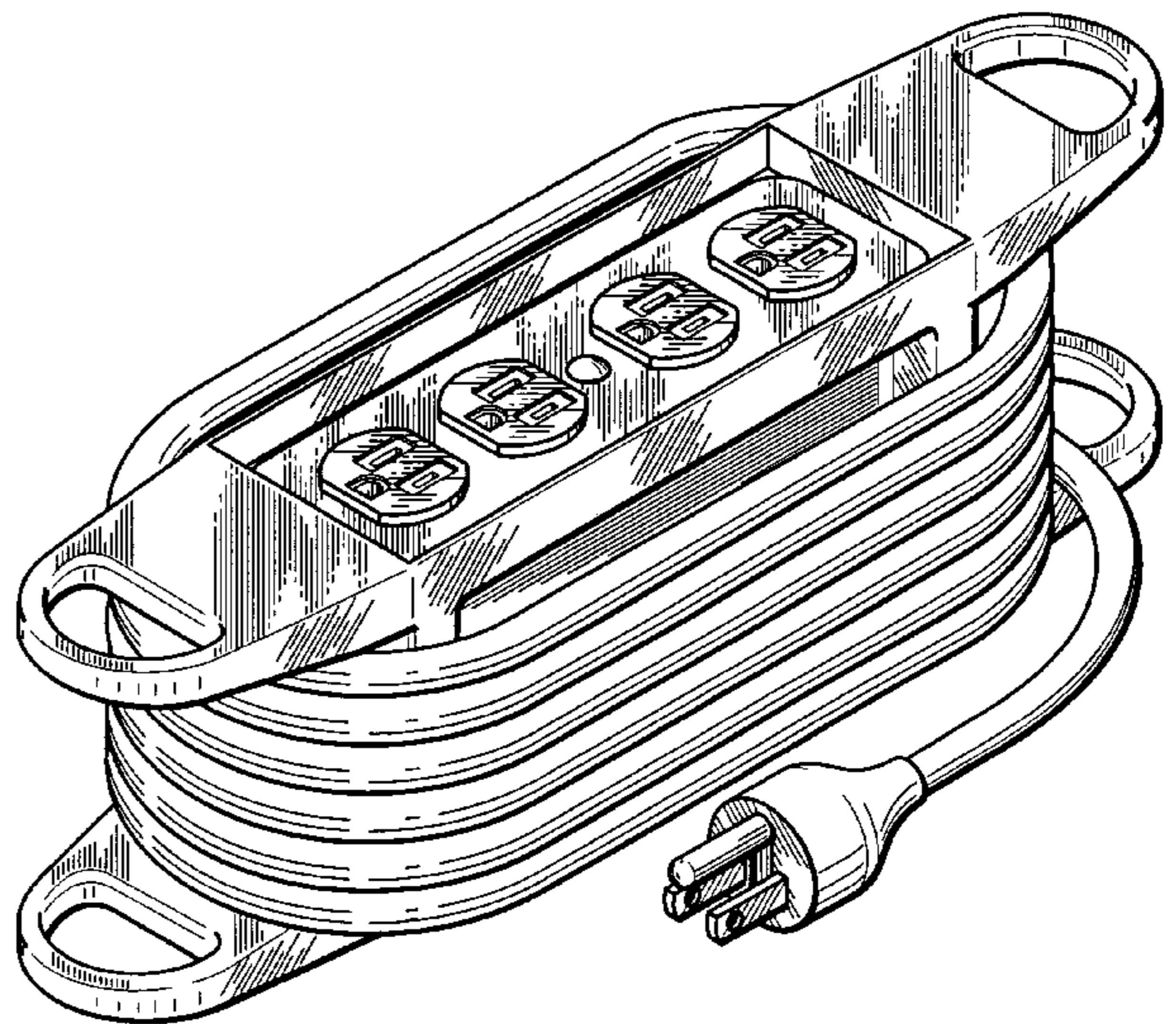
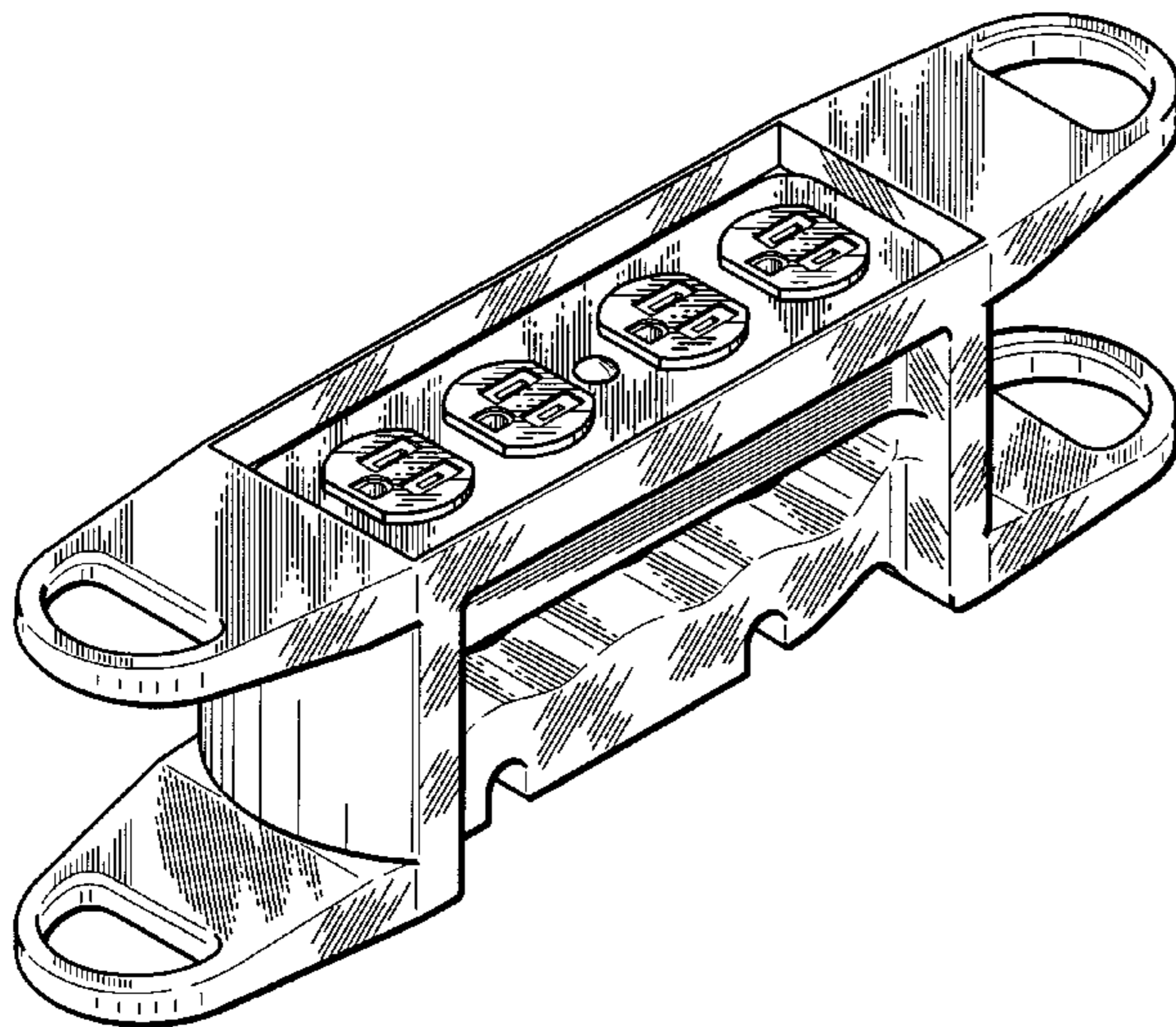


FIG.1

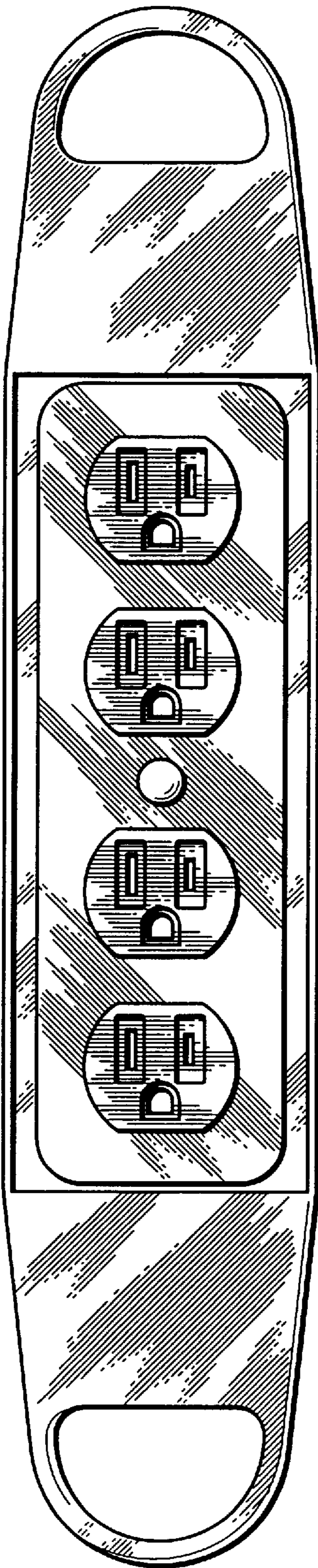


FIG.2

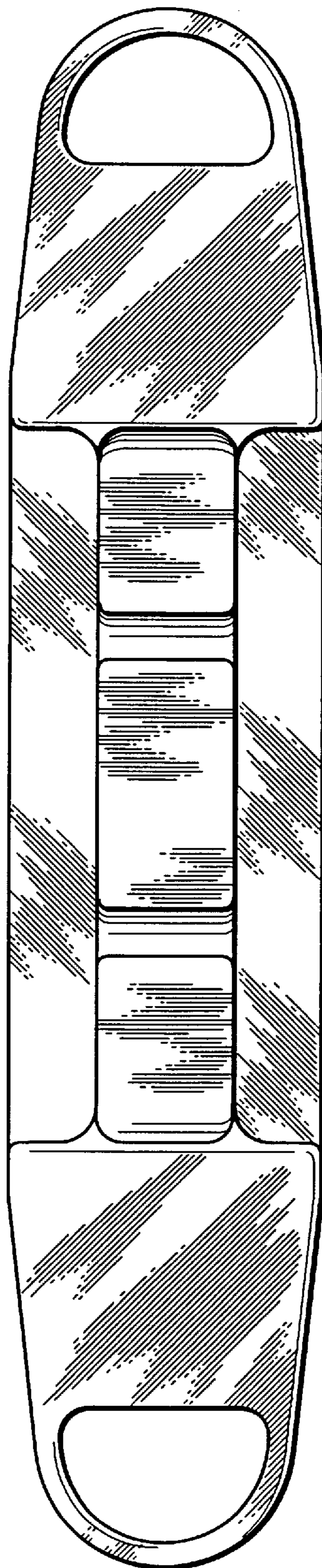


FIG.3

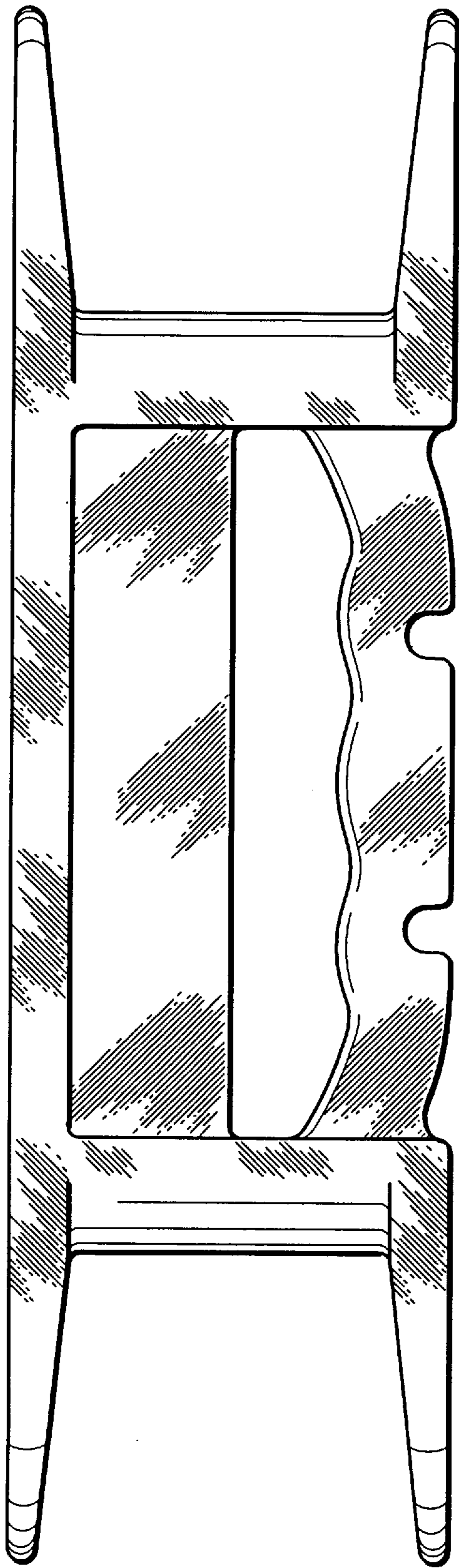


FIG.4

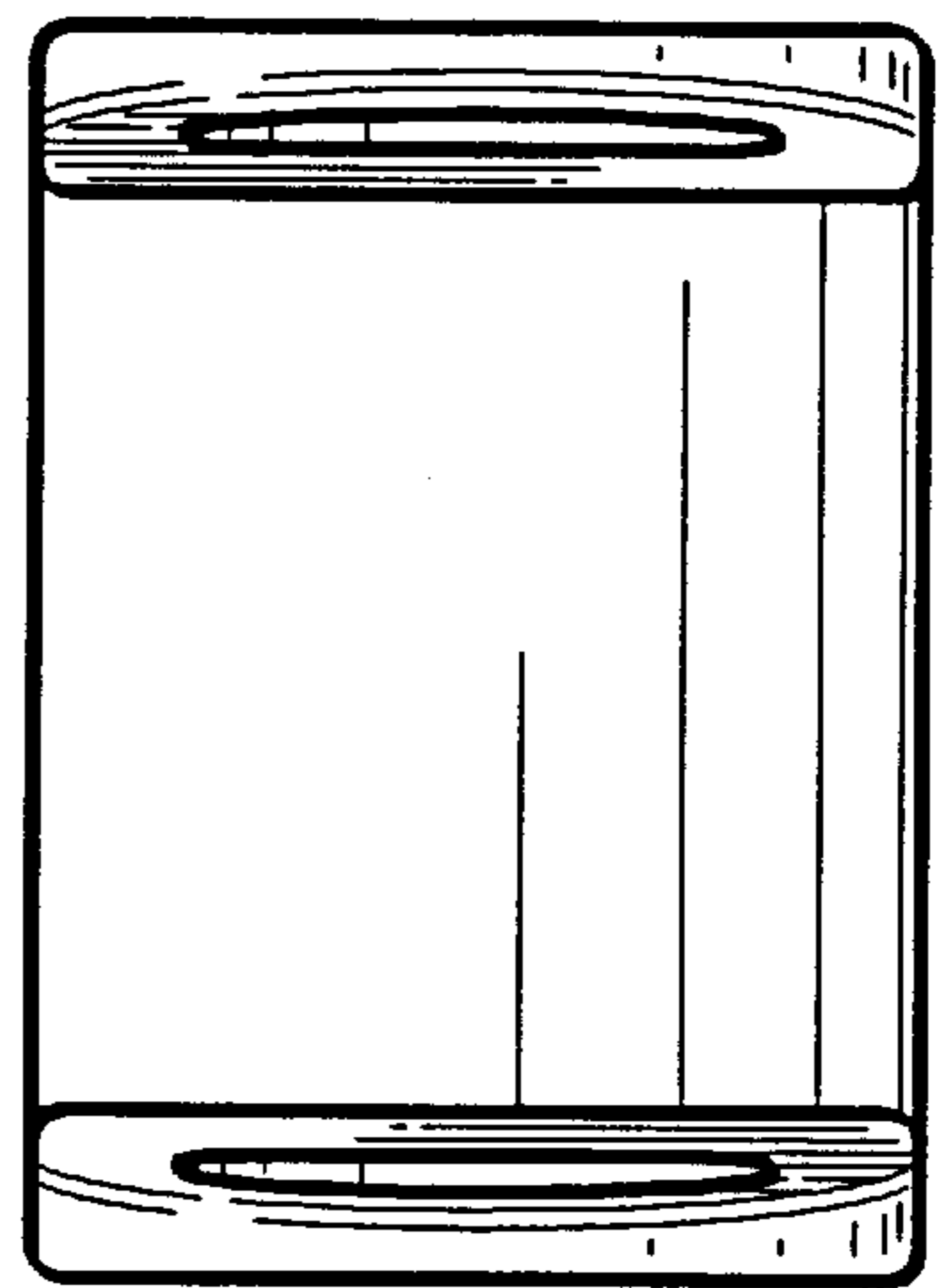


FIG.5

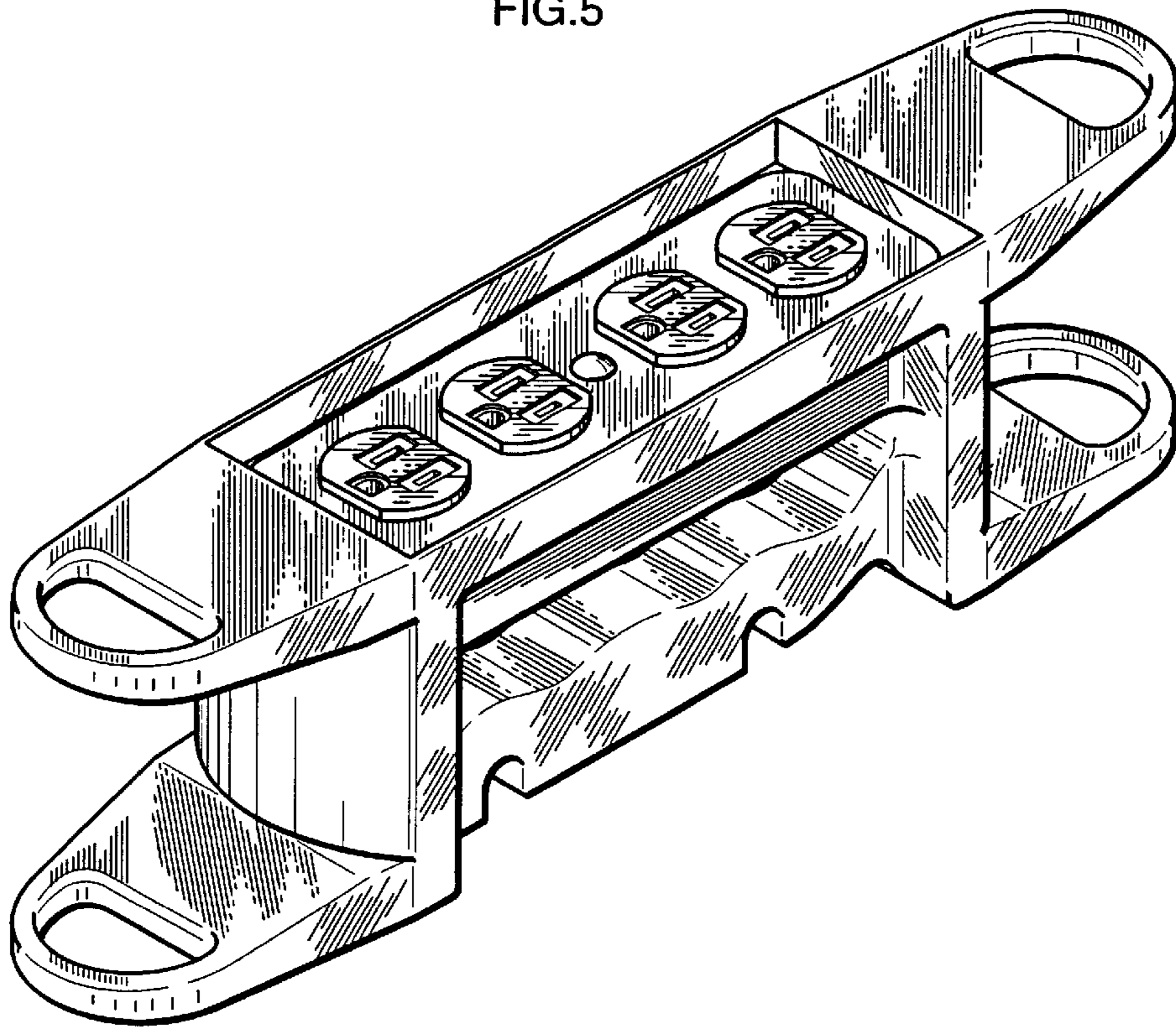


FIG.6

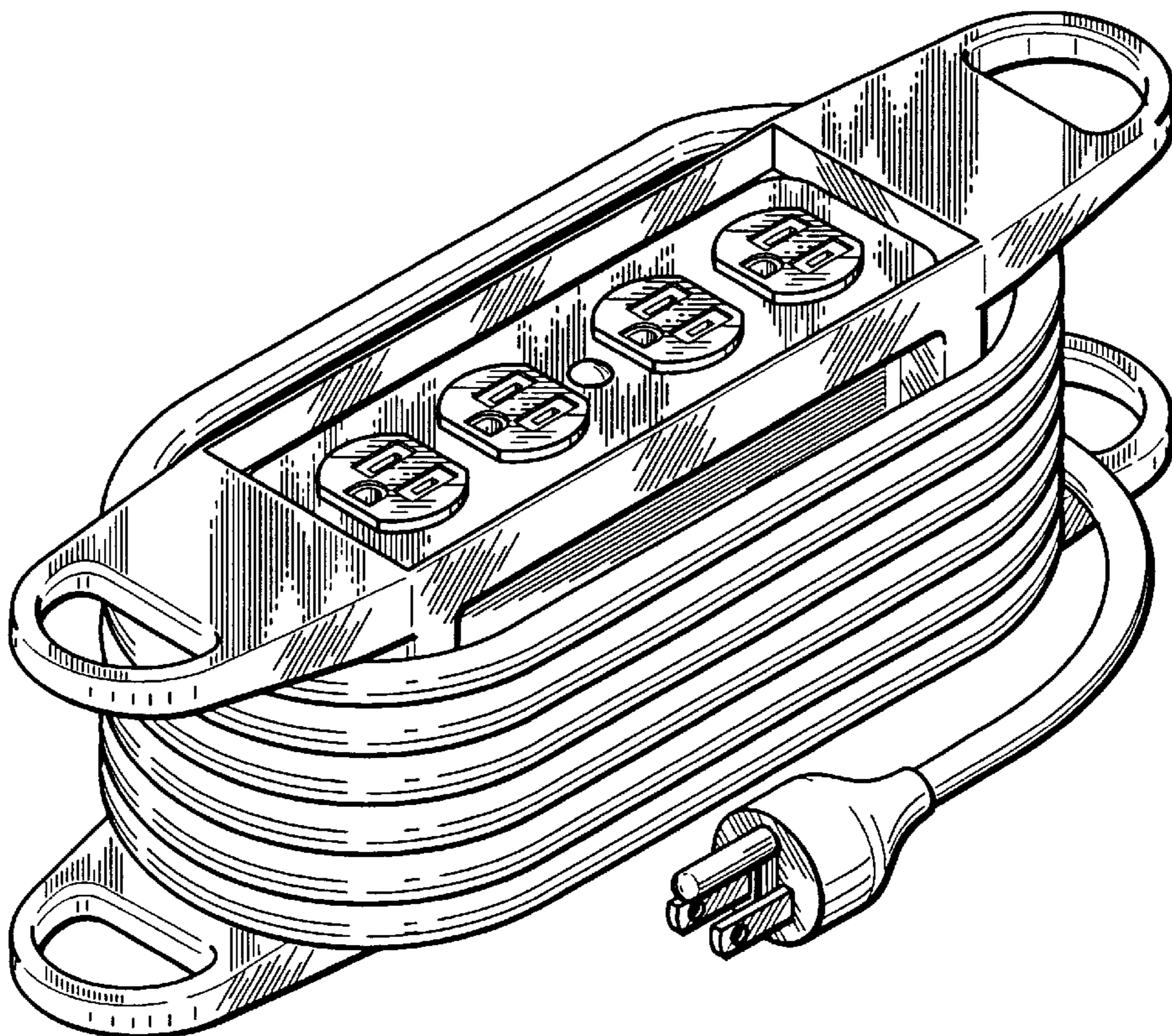


FIG.7

