



US00D400173S

United States Patent [19]

Starec et al.

[11] **Patent Number: Des. 400,173**

[45] **Date of Patent: **Oct. 27, 1998**

[54] **ELECTRICAL PLUG**

[75] Inventors: **Rado Starec; James Cowhey**, both of Tullamarine, Australia

[73] Assignee: **Greenshell Pty Ltd**, Tullamarine, Australia

[**] Term: **14 Years**

[21] Appl. No.: **71,975**

[22] Filed: **Jun. 11, 1997**

[30] Foreign Application Priority Data

Jan. 14, 1997 [AU] Australia 76/97

[51] **LOC (6) Cl.** **13-03**

[52] **U.S. Cl.** **D13/138.1**

[58] **Field of Search** D13/138.1-138.2, D13/137.1-137.4, 139.1-139.8; 439/606, 739, 295, 620, 692-695, 655, 682, 653, 555, 140, 141, 152, 160, 135-137, 736; 337/197

[56] References Cited

U.S. PATENT DOCUMENTS

- D. 245,417 8/1977 Kneller D13/145
- D. 355,160 2/1995 Velasco D13/138.2
- 3,794,957 2/1974 Winkler 439/295

- 4,854,894 8/1989 Harrell 439/606
- 4,963,102 10/1990 Gettig et al. 439/295 X
- 5,295,845 3/1994 Changxing 439/173
- 5,462,457 10/1995 Schroepfer et al. 439/736
- 5,476,396 12/1995 DeCastro 439/692
- 5,567,175 10/1996 Wardent et al. 439/736
- 5,603,638 2/1997 Brown et al. 439/606
- 5,660,567 8/1997 Nierlich et al. 439/620

Primary Examiner—Susan J. Lucas
Assistant Examiner—Jennifer Rivard
Attorney, Agent, or Firm—Madson & Metcalf

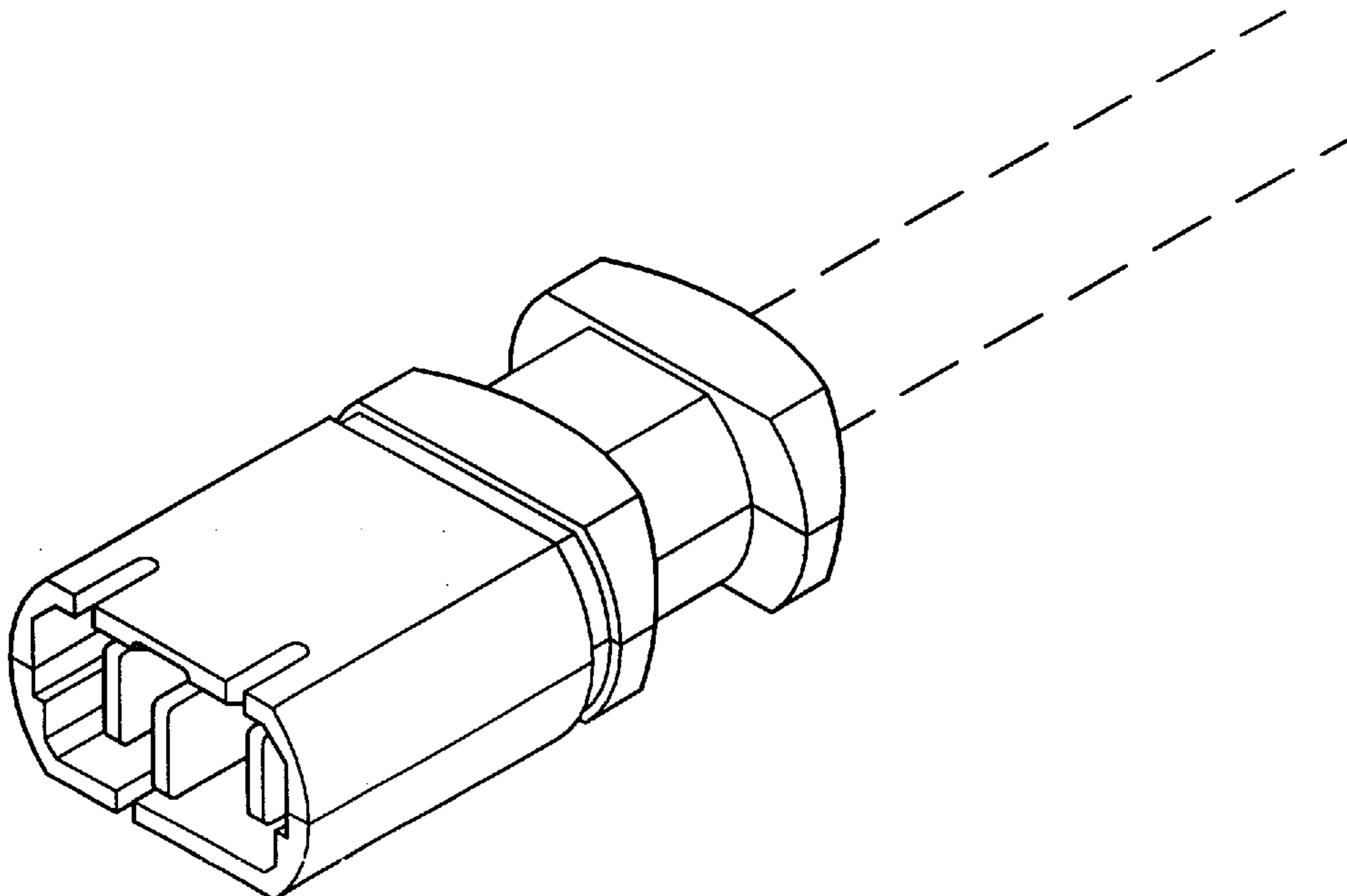
[57] CLAIM

The ornamental design for a electrical plug, as shown and described.

DESCRIPTION

FIG. 1 is a perspective view of an electrical plug according to the present invention;
FIG. 2 is a bottom view of the electrical plug of FIG. 1;
FIG. 3 is a right side view of the electrical plug of FIG. 1, the left side view being a mirror image;
FIG. 4 is a top view of the electrical plug of FIG. 1;
FIG. 5 is a front side view of the electrical plug of FIG. 1; and,
FIG. 6 is a back side view of the electrical plug of FIG. 1. The broken lines are shown for illustrative purposes only and form no part of the claimed design.

1 Claim, 1 Drawing Sheet



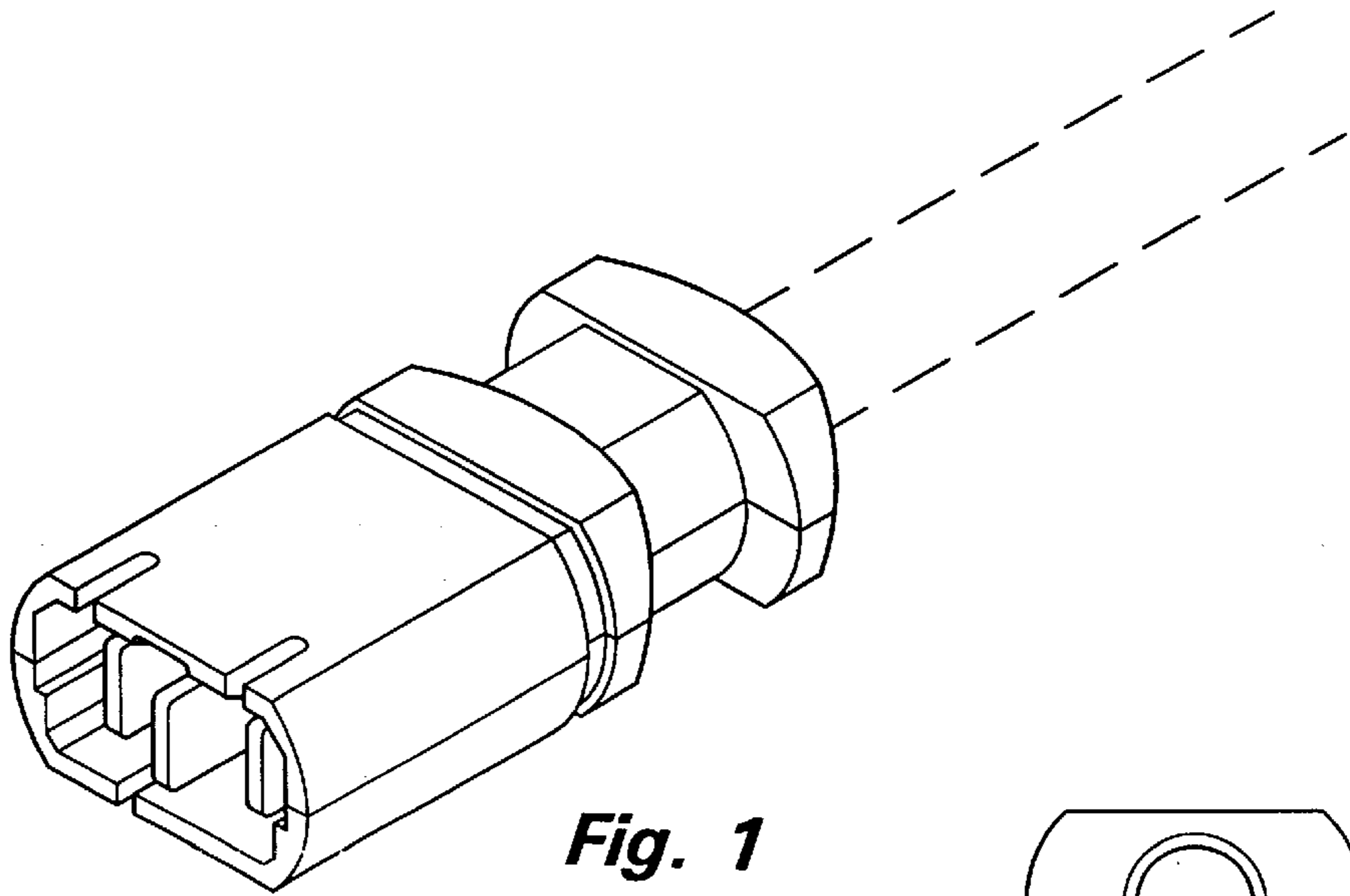


Fig. 1

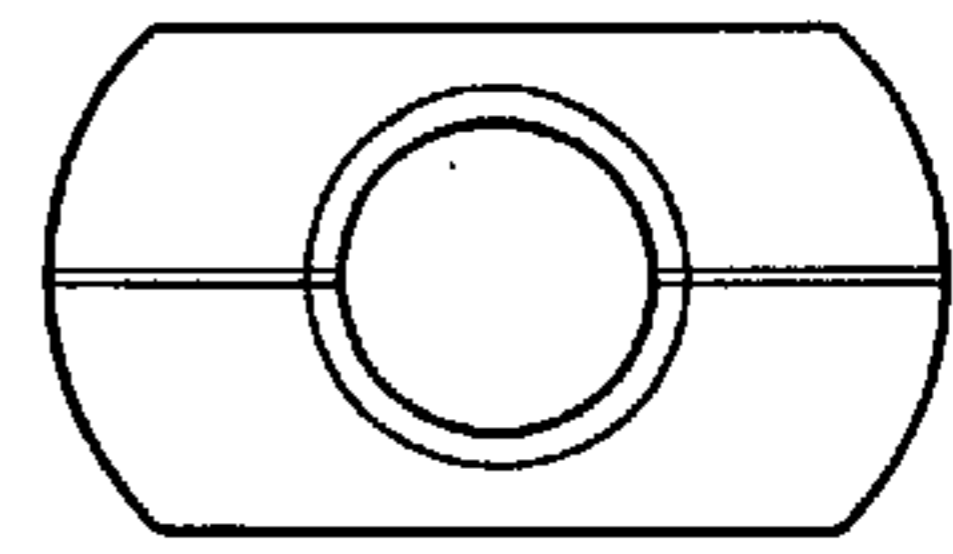


Fig. 6

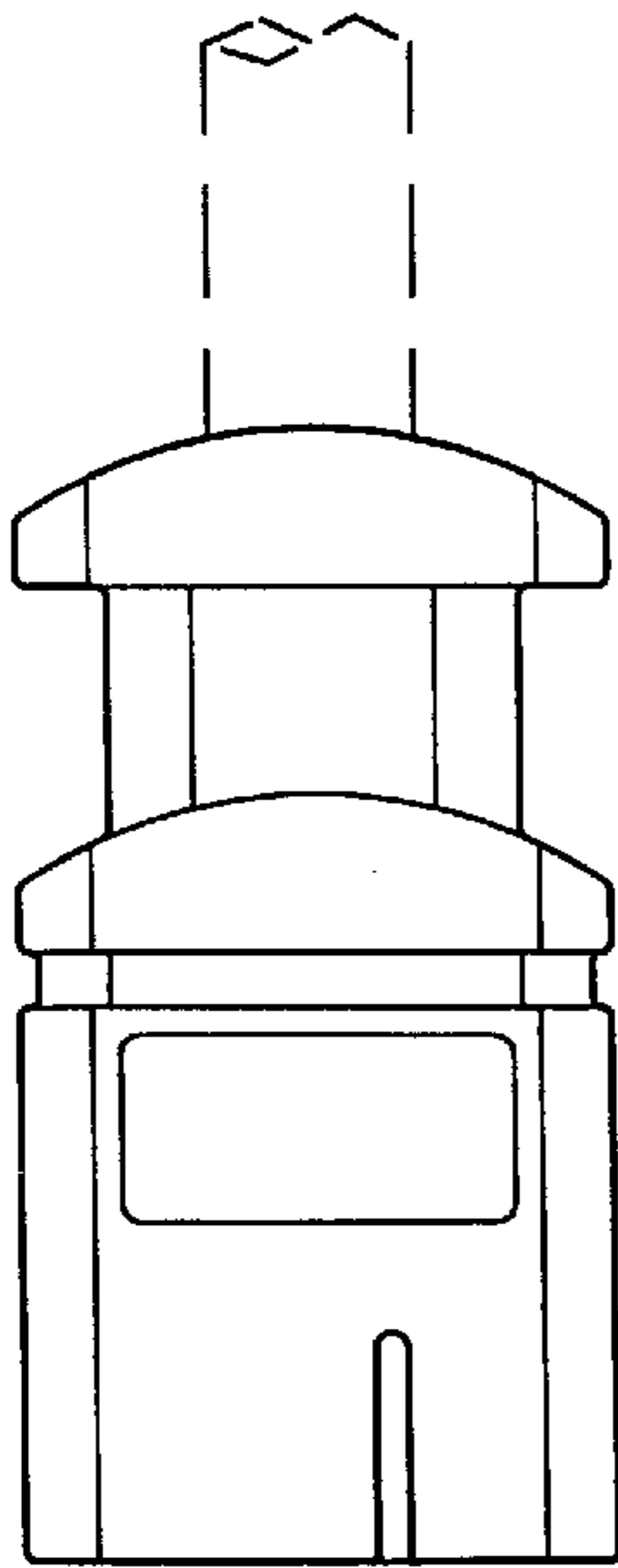


Fig. 2

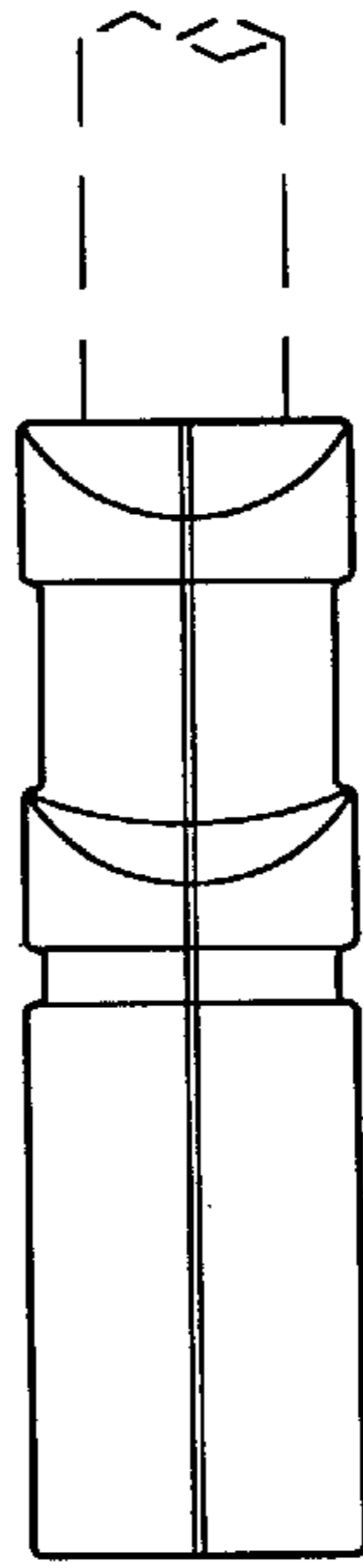


Fig. 3

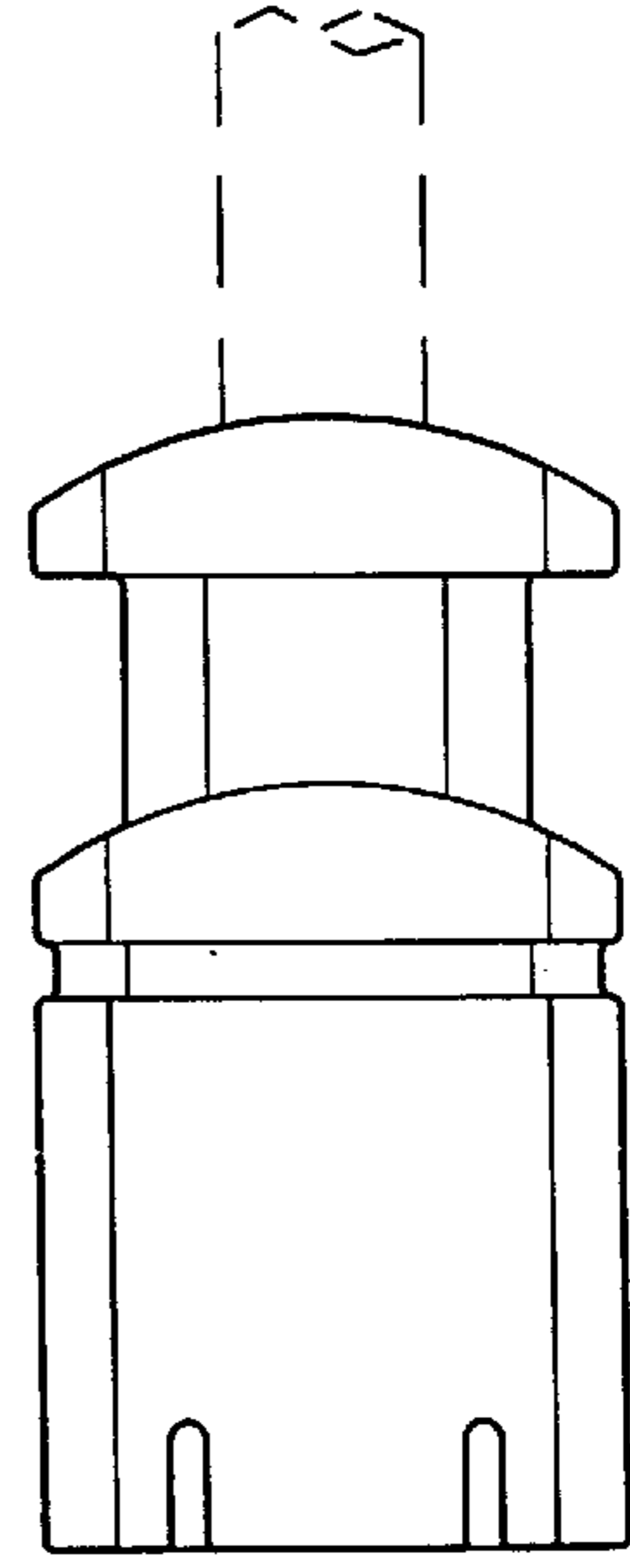


Fig. 4

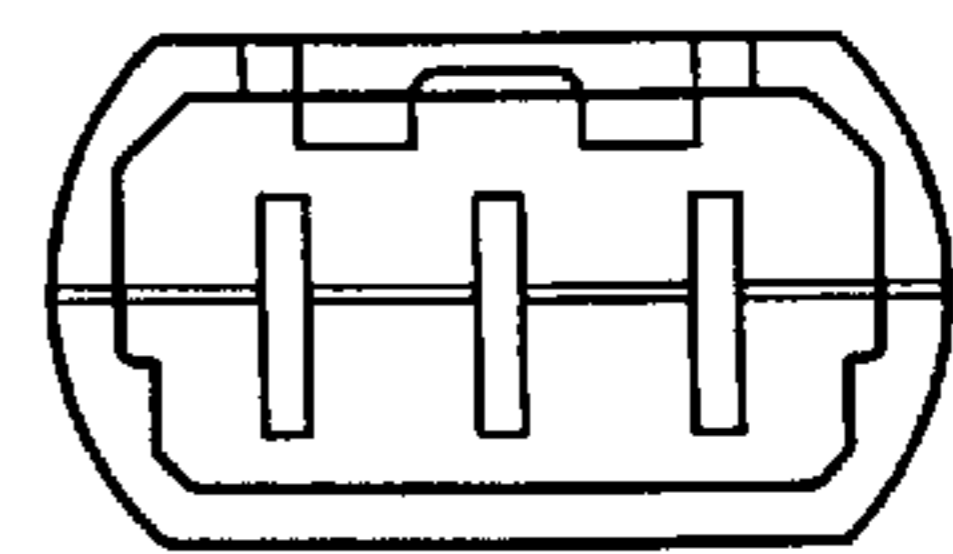


Fig. 5