



US00D400172S

# United States Patent [19]

[11] **Patent Number: Des. 400,172**

**Aromin**

[45] **Date of Patent: \*\*Oct. 27, 1998**

[54] **MINI APPLIANCE LEAKAGE CURRENT INTERRUPTER**

[75] Inventor: **Victor V. Aromin**, West Warwick, R.I.

[73] Assignee: **Tower Manufacturing Corporation**, Providence, R.I.

[\*\*] Term: **14 Years**

[21] Appl. No.: **69,750**

[22] Filed: **Apr. 22, 1997**

[51] **LOC (6) Cl. .... 13-03**

[52] **U.S. Cl. .... D13/138.1; D13/145**

[58] **Field of Search** ..... D13/138.1, 138.2, D13/137.1-137.4, 139.1-139.8, 145; 439/490, 620, 622, 650-653, 692-695, 676-678, 606, 600, 601, 104, 103, 106, 107, 597; 361/43, 93, 100-101; 307/114, 146, 156; 200/52.02, 51 R, 51 LM

[56] **References Cited**

**U.S. PATENT DOCUMENTS**

|            |        |                           |             |
|------------|--------|---------------------------|-------------|
| D. 307,742 | 5/1990 | Serr et al. ....          | D13/138.2   |
| D. 314,177 | 1/1991 | Heiligenstein et al. .... | D13/138.1   |
| D. 325,380 | 4/1992 | Rao et al. ....           | D13/138.1 X |
| D. 357,459 | 4/1995 | Warden ....               | D13/138.2   |
| 4,752,243  | 6/1988 | Meidan ....               | 439/622     |
| 5,148,344  | 9/1992 | Rao et al. ....           | 361/115 X   |

*Primary Examiner*—Susan J. Lucas  
*Assistant Examiner*—Jennifer Rivard  
*Attorney, Agent, or Firm*—Kriegsman & Kriegsman

[57] **CLAIM**

The ornamental design for a mini appliance leakage current interrupter, as shown and described.

**DESCRIPTION**

FIG. 1 is a perspective view of a first embodiment of a mini appliance leakage current interrupter showing my new design;

FIG. 2 is a top plan view thereof;

FIG. 3 is a bottom plan view thereof;

FIG. 4 is a rear elevational view thereof;

FIG. 5 is a front elevational view thereof;

FIG. 6 is a right side elevational view thereof;

FIG. 7 is a left side elevational view thereof;

FIG. 8 is a perspective view of a second embodiment of a mini appliance leakage current interrupter showing my new design;

FIG. 9 is a top plan view thereof;

FIG. 10 is a bottom plan view thereof;

FIG. 11 is a rear elevational view thereof;

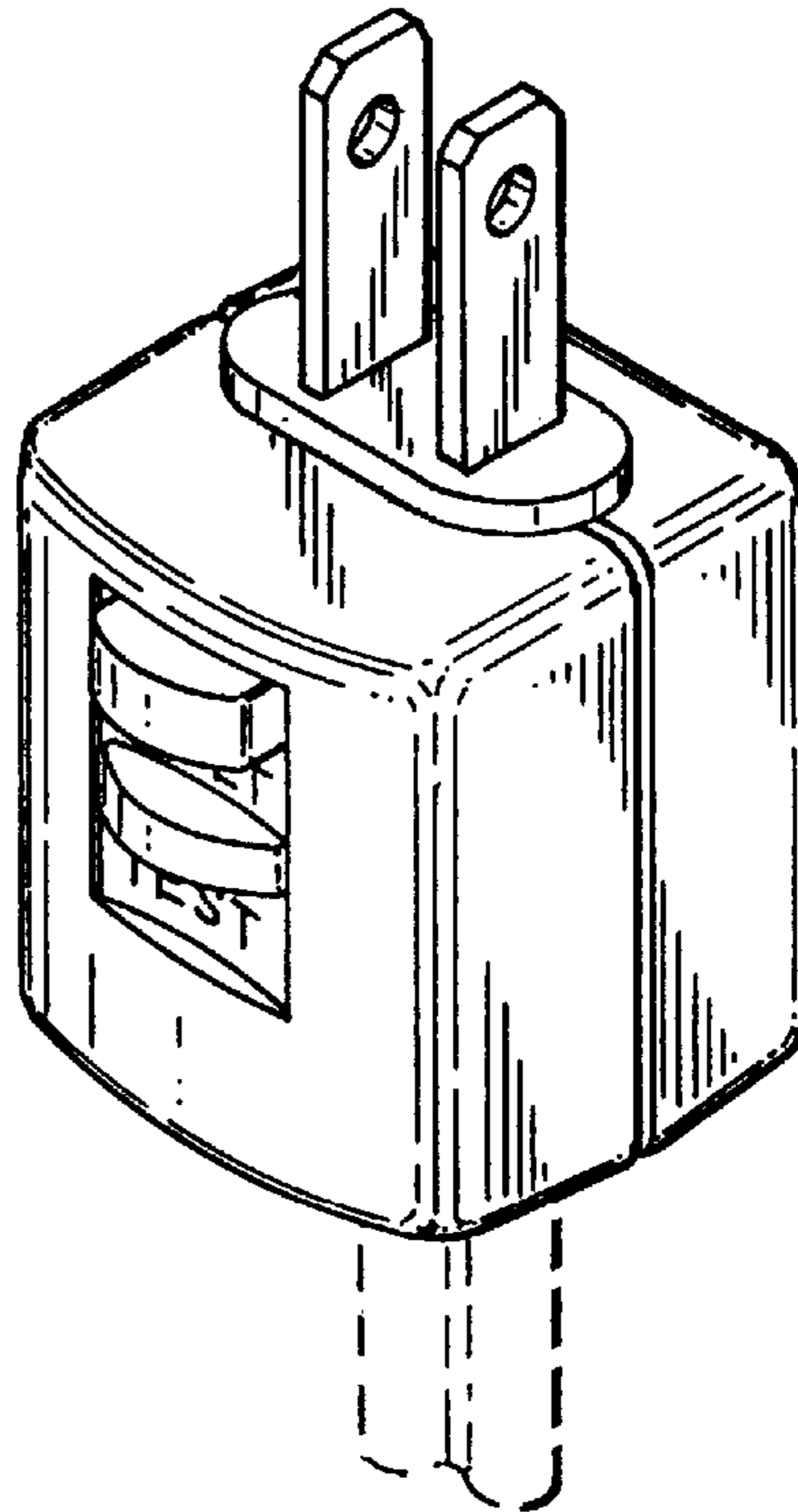
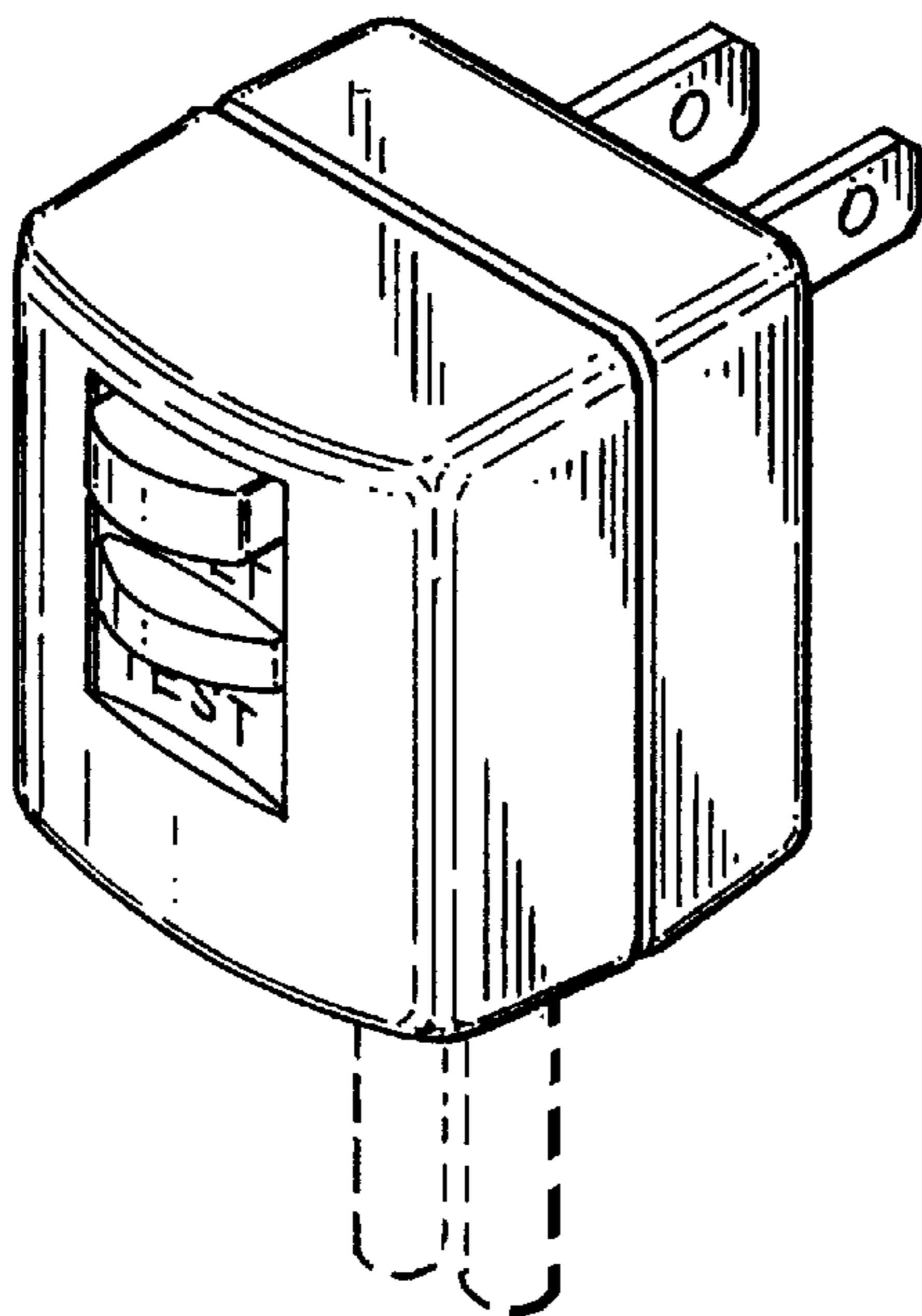
FIG. 12 is a front elevational view thereof;

FIG. 13 is a right side elevational view thereof; and,

FIG. 14 is a left side elevational view thereof.

The broken lines are shown for illustrative purposes only and form no part of the claimed design.

**1 Claim, 4 Drawing Sheets**



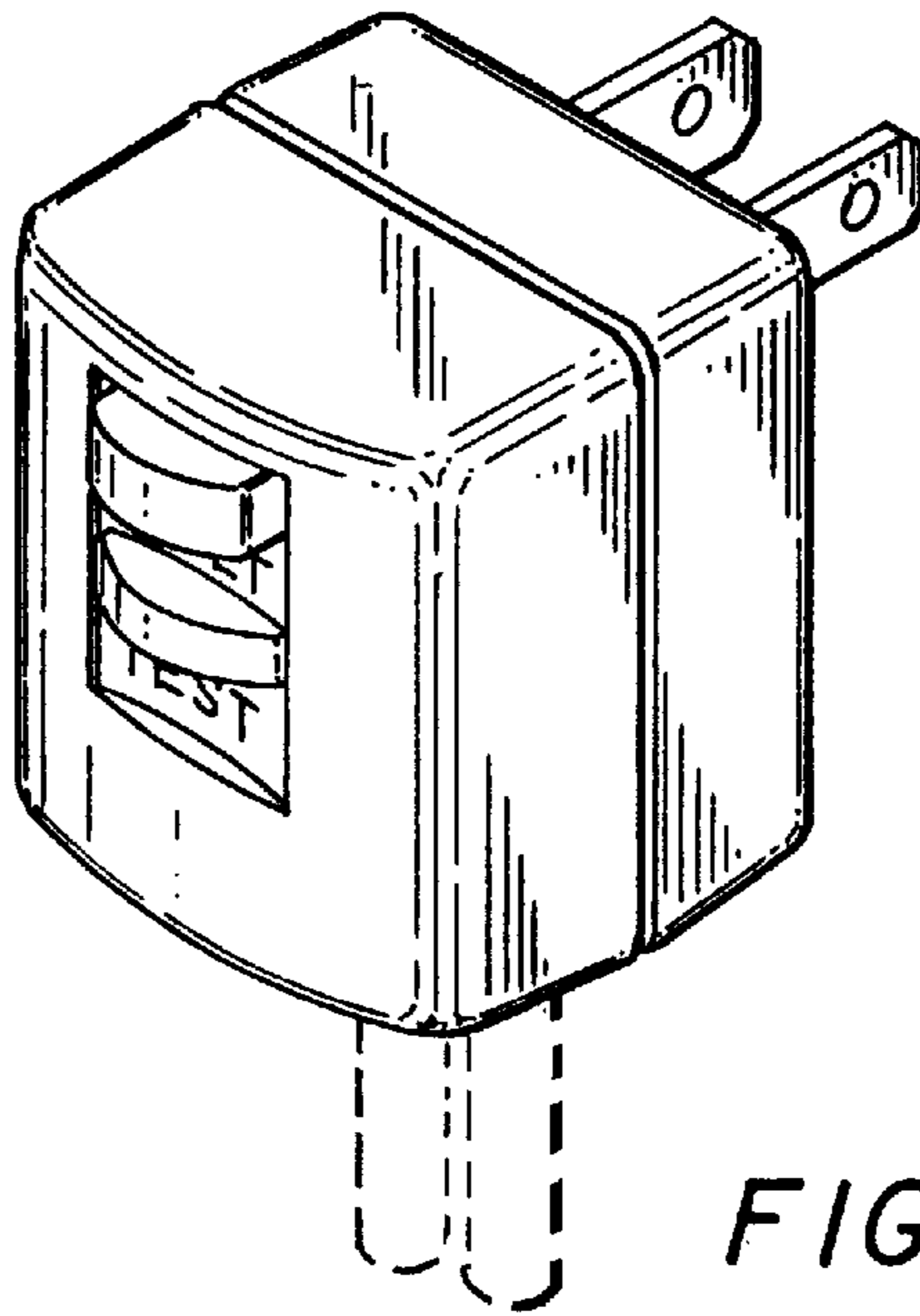


FIG. 1

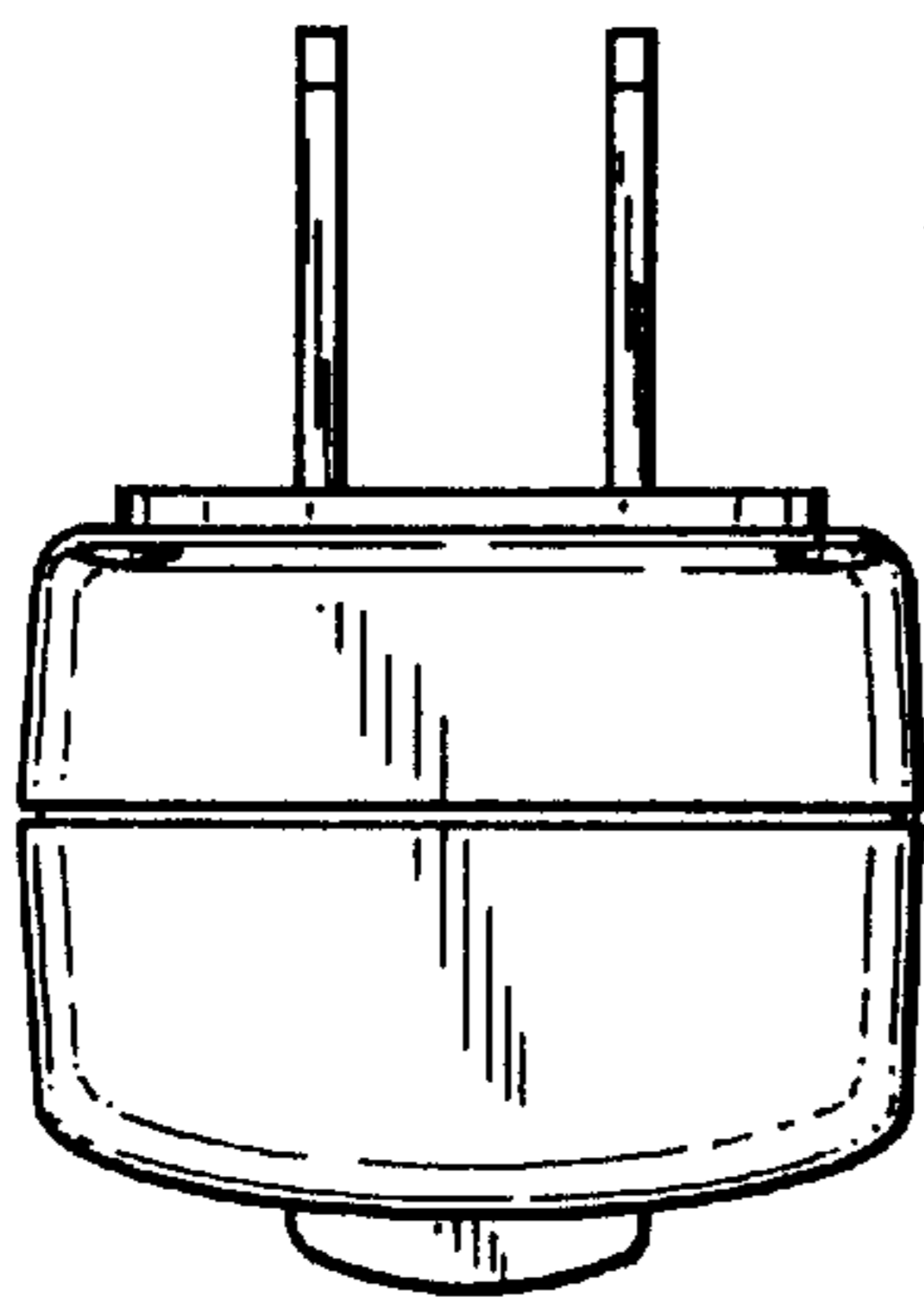


FIG. 2

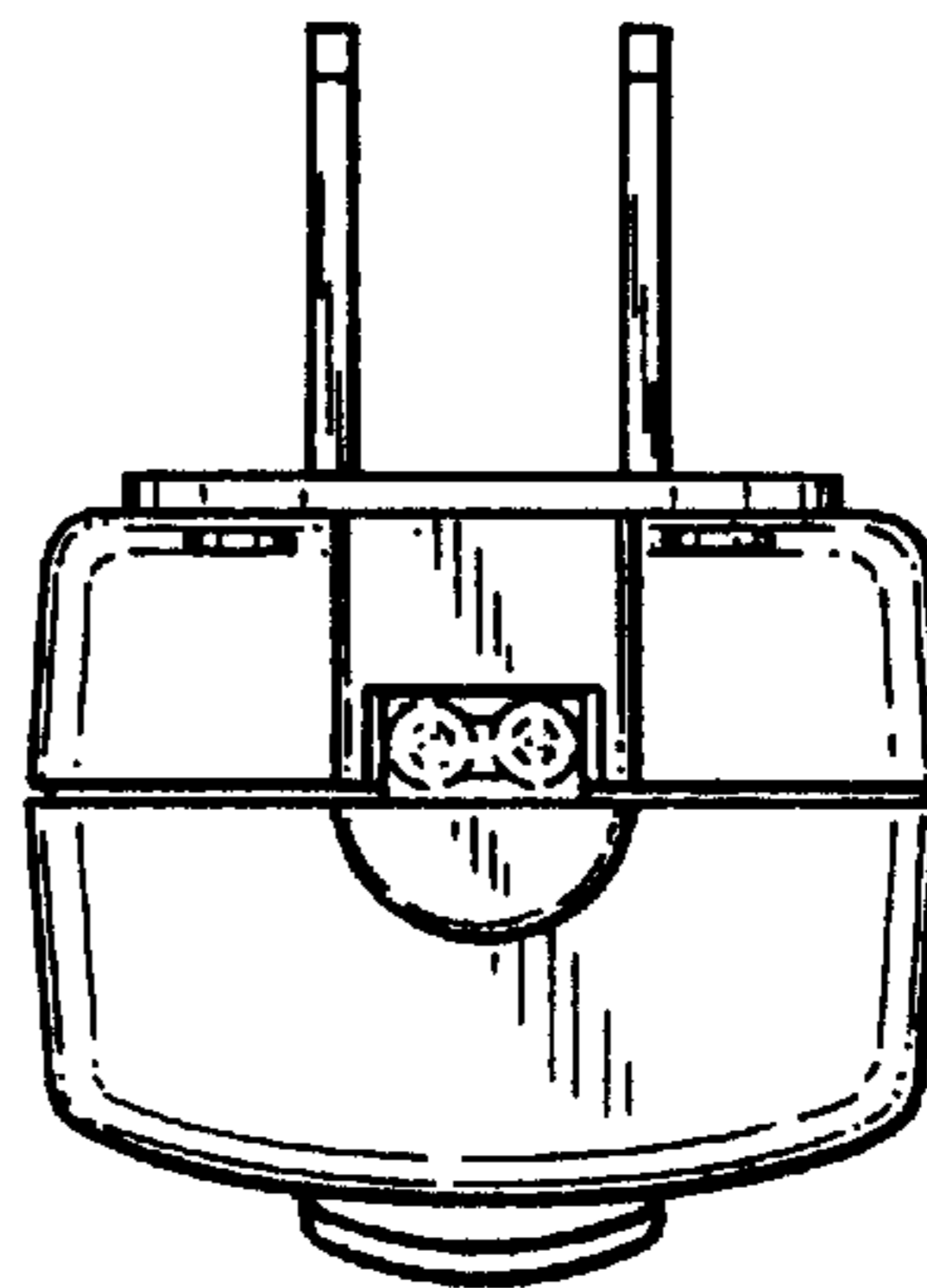


FIG. 3

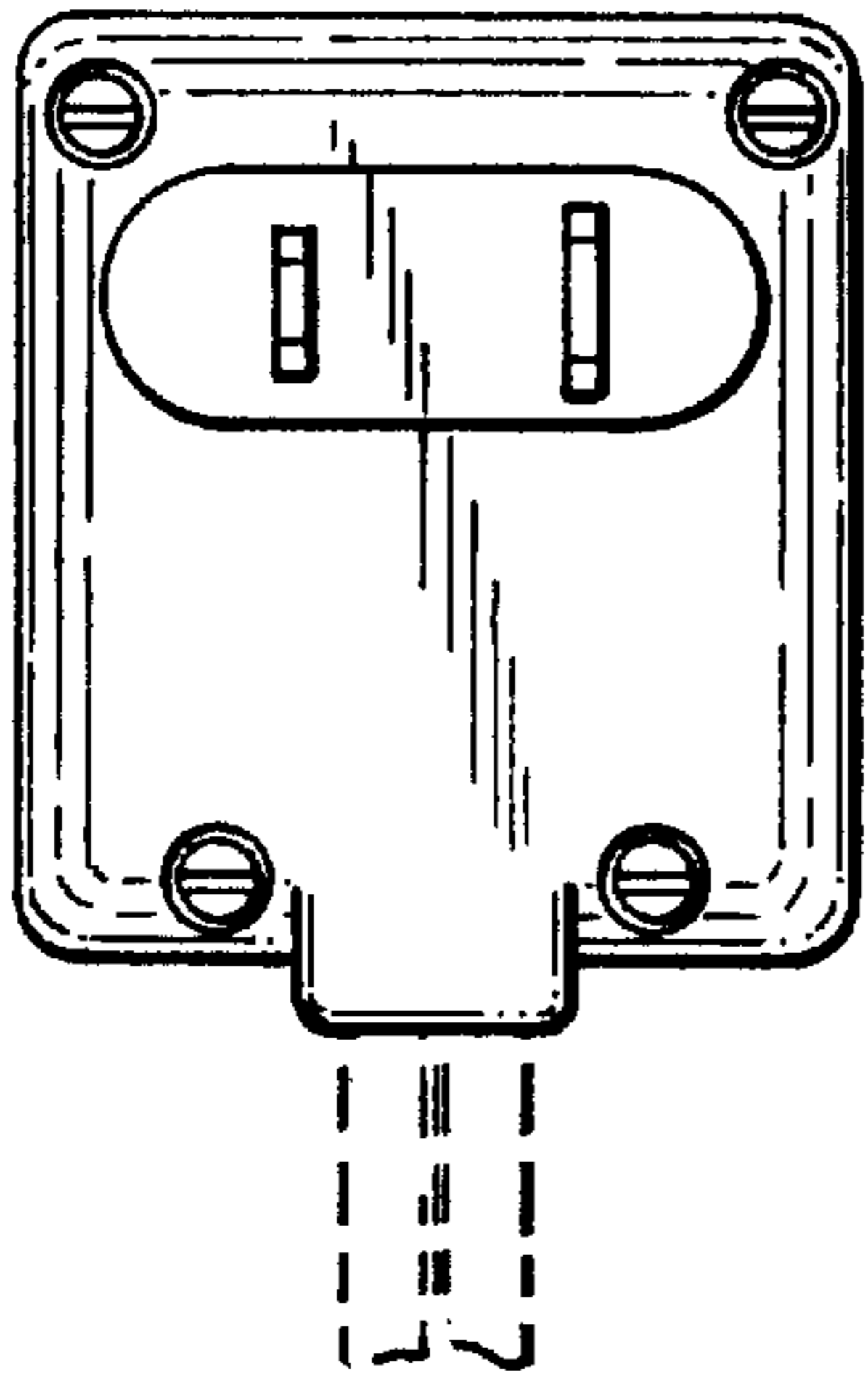


FIG. 4

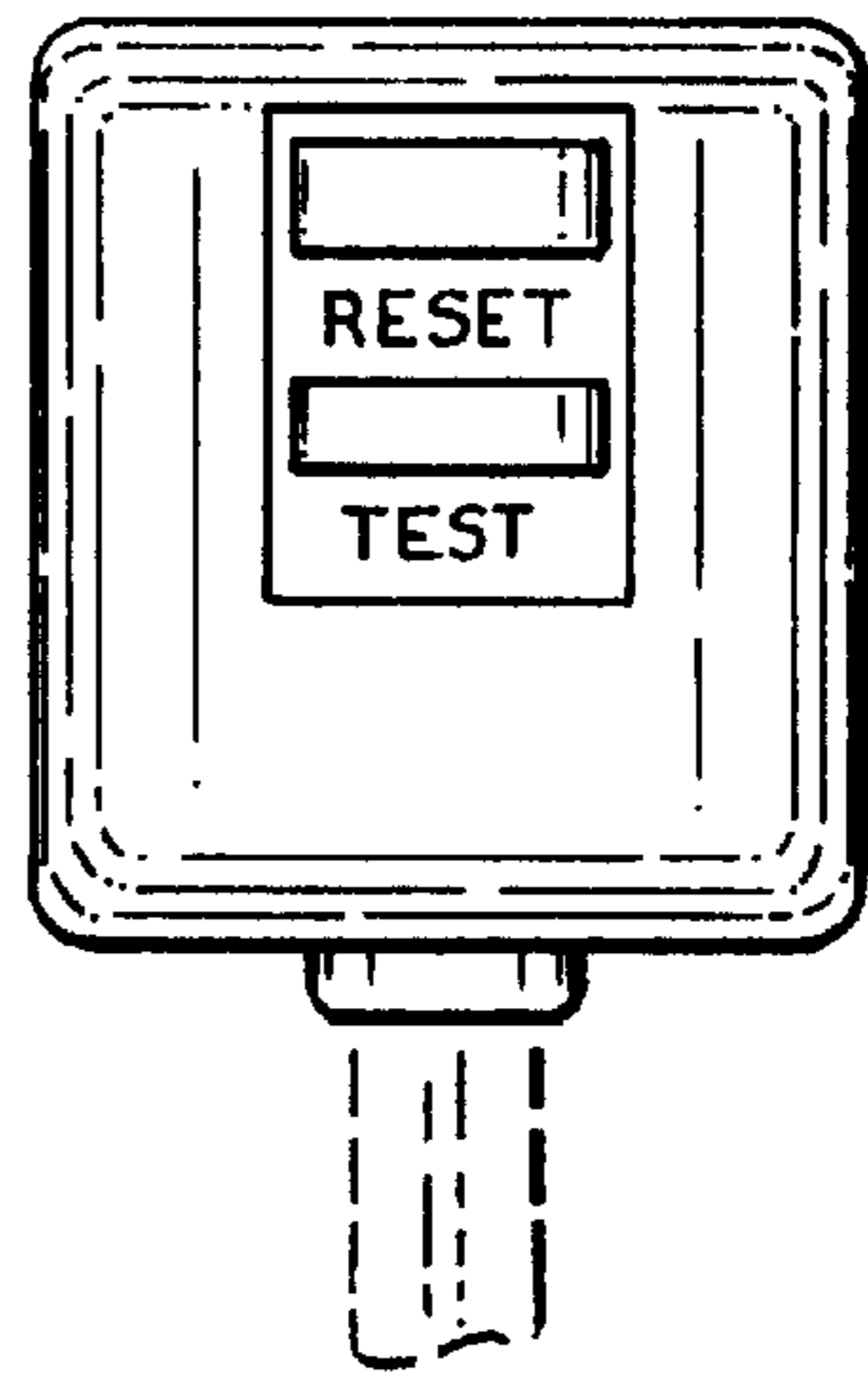


FIG. 5

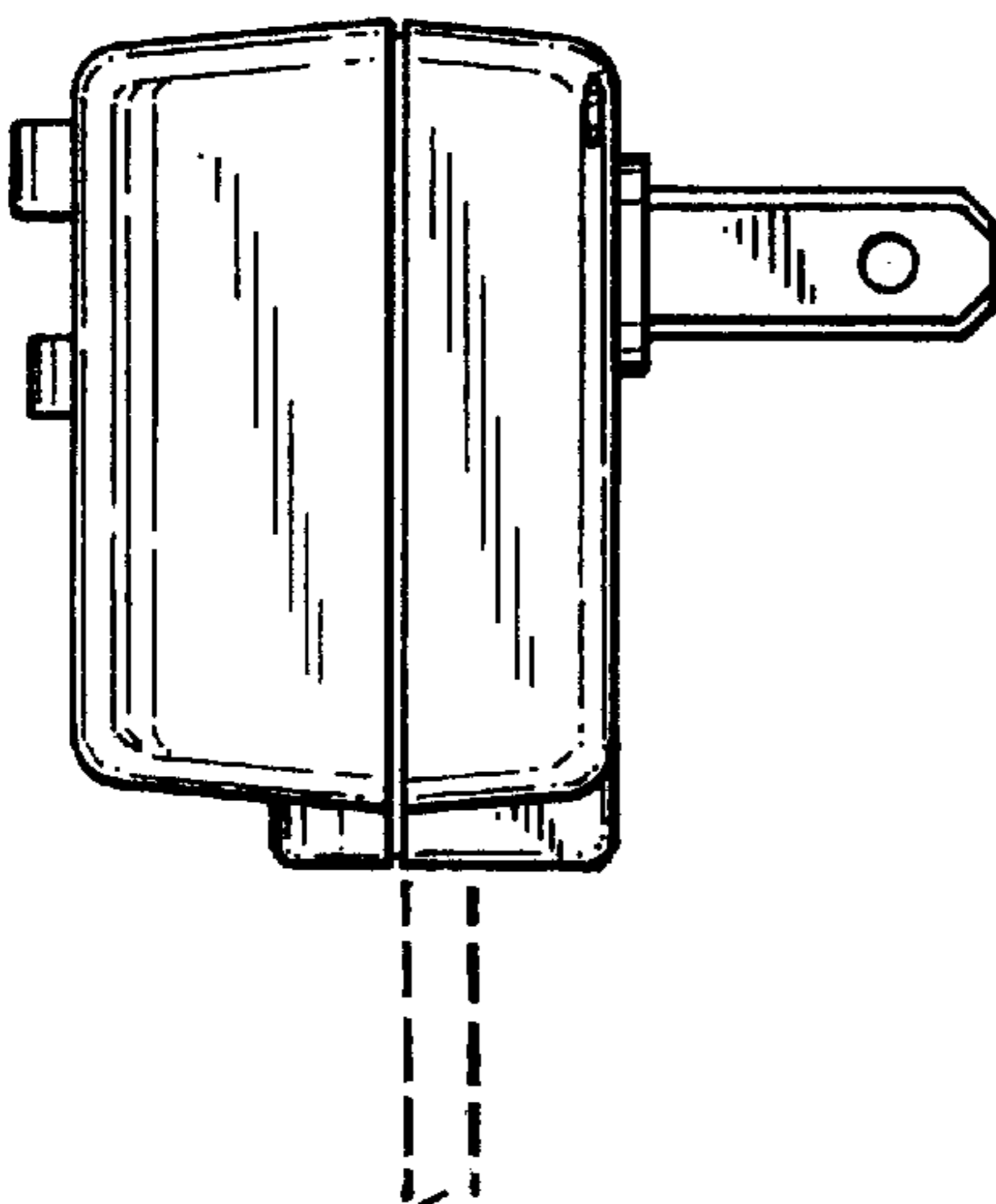


FIG. 6

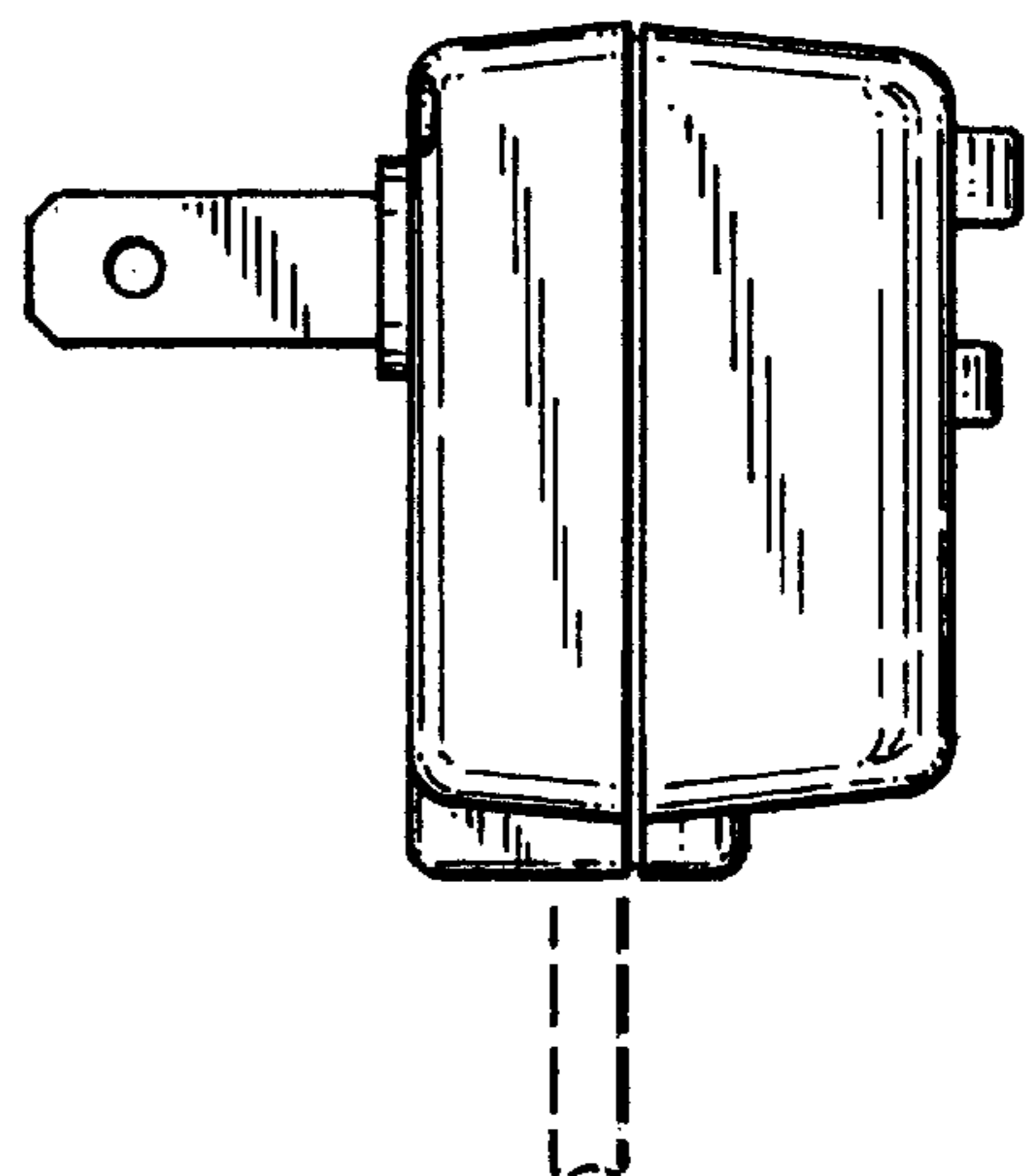


FIG. 7

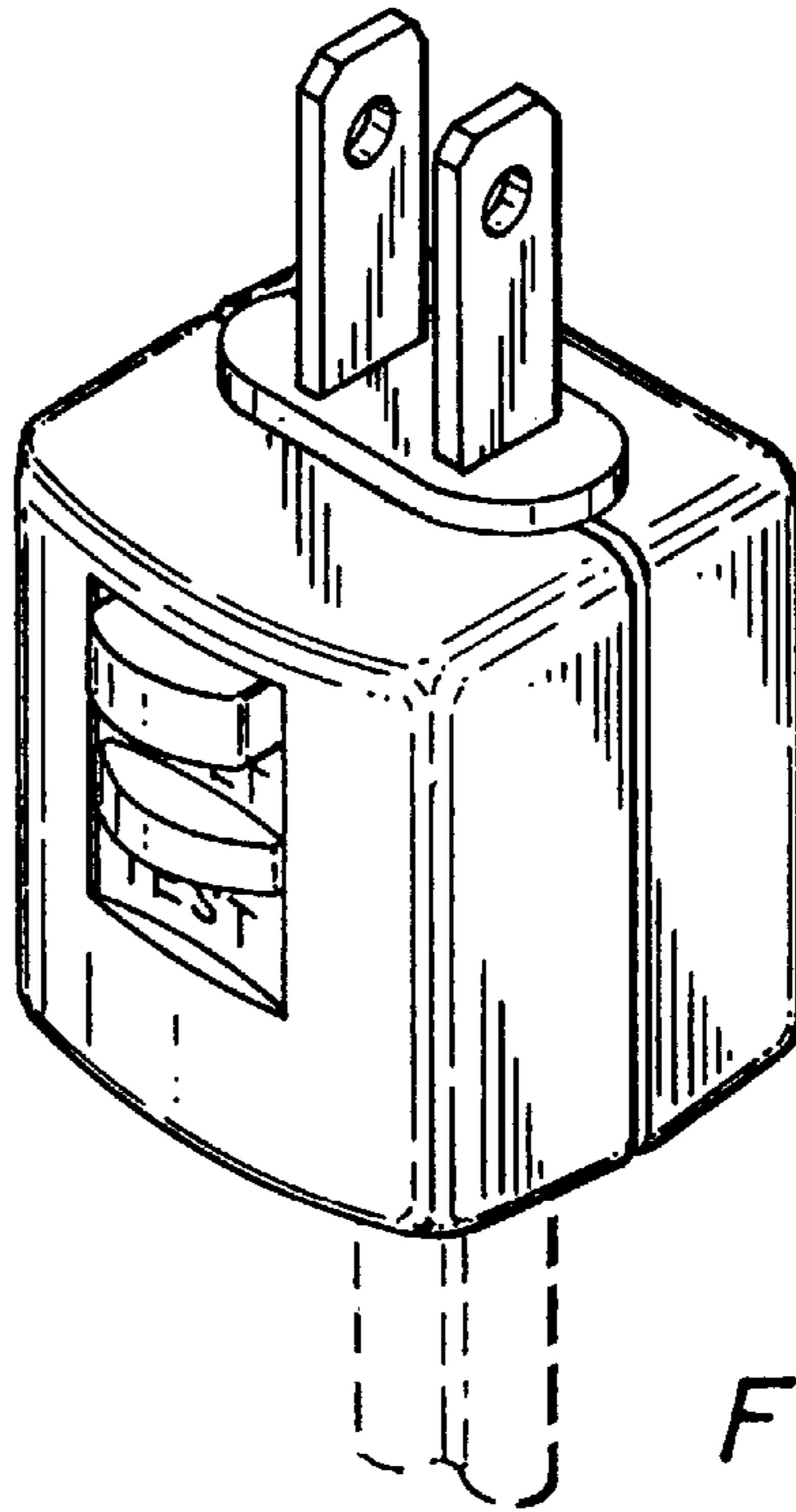


FIG. 8

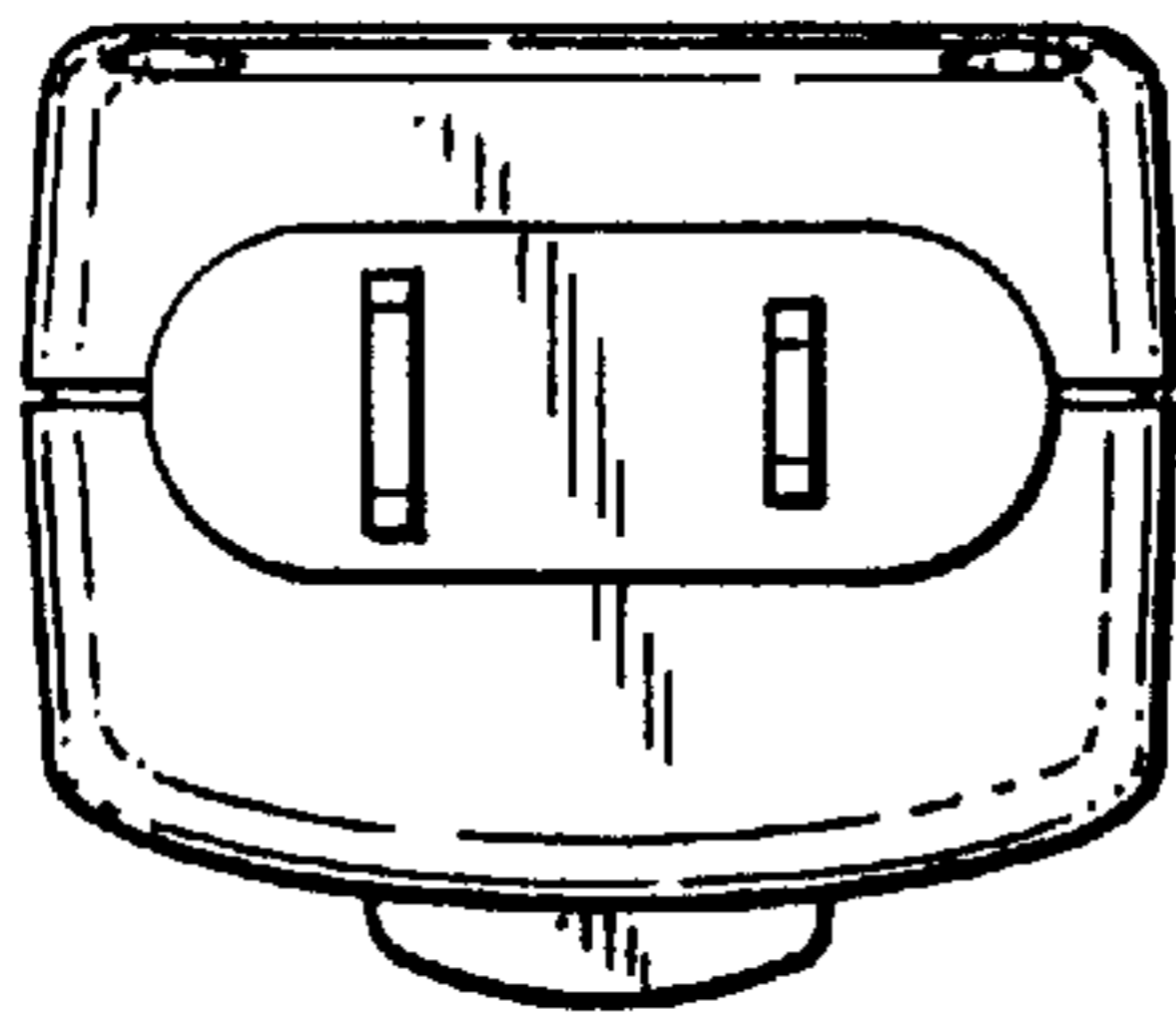


FIG. 9

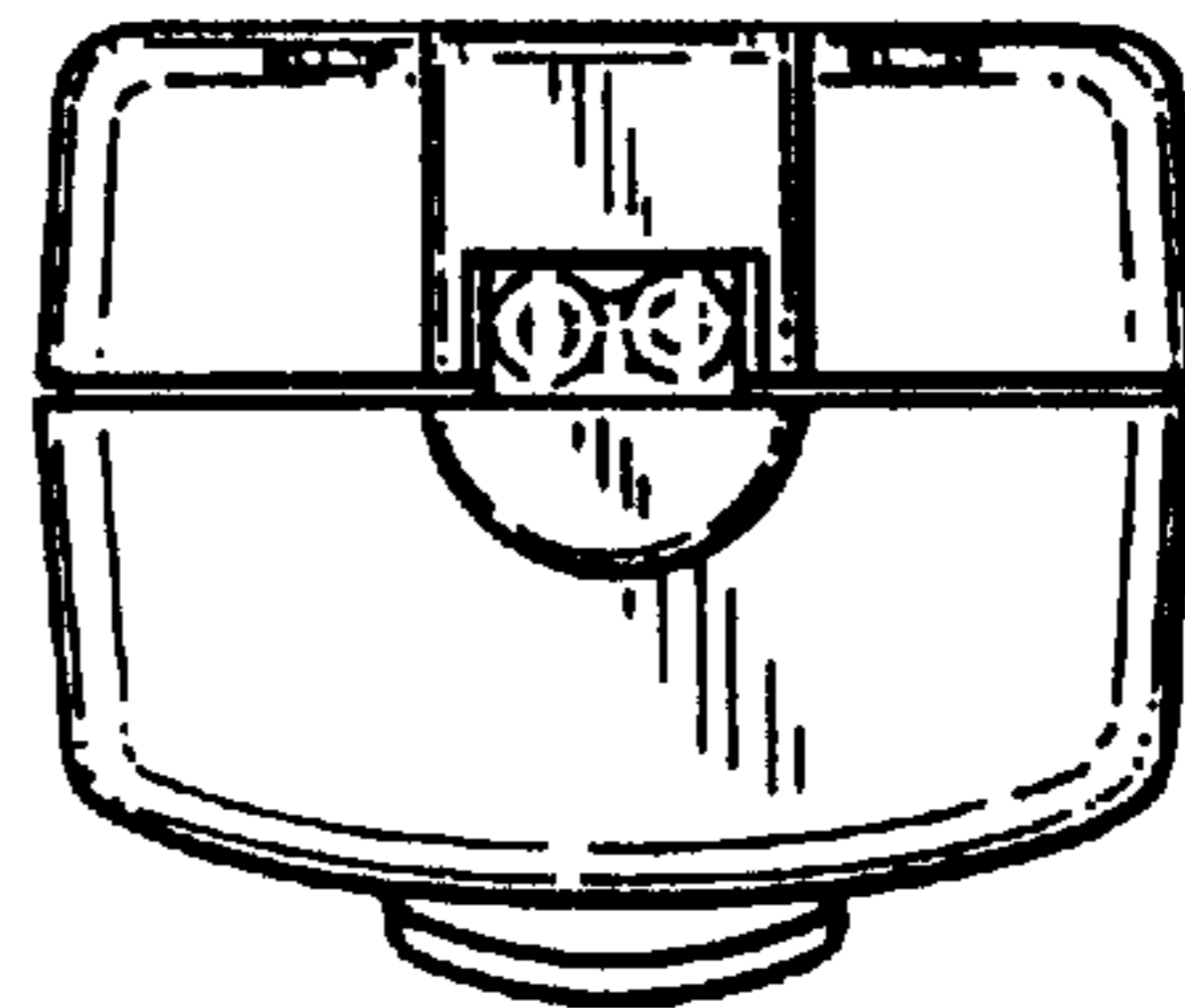


FIG. 10

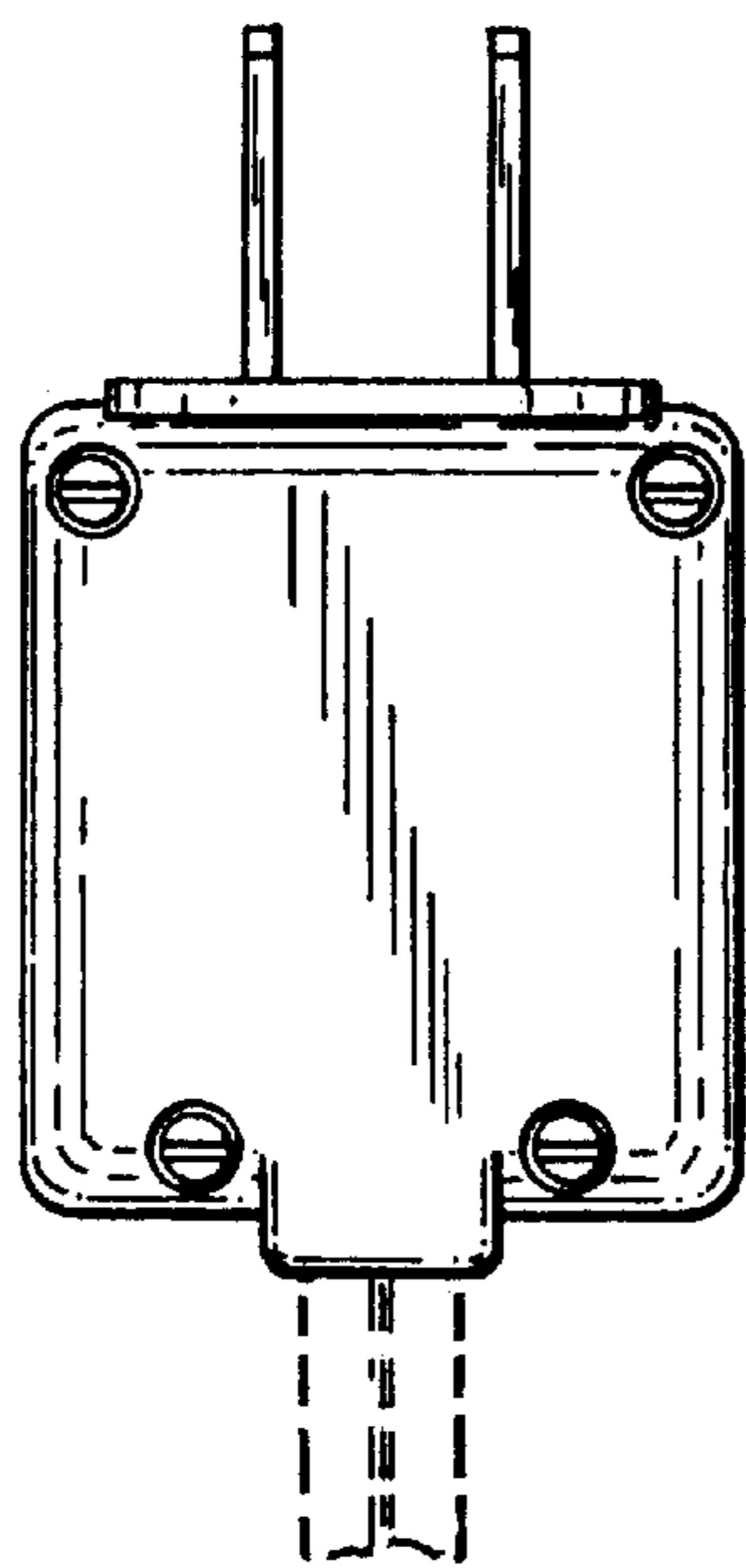


FIG. 11

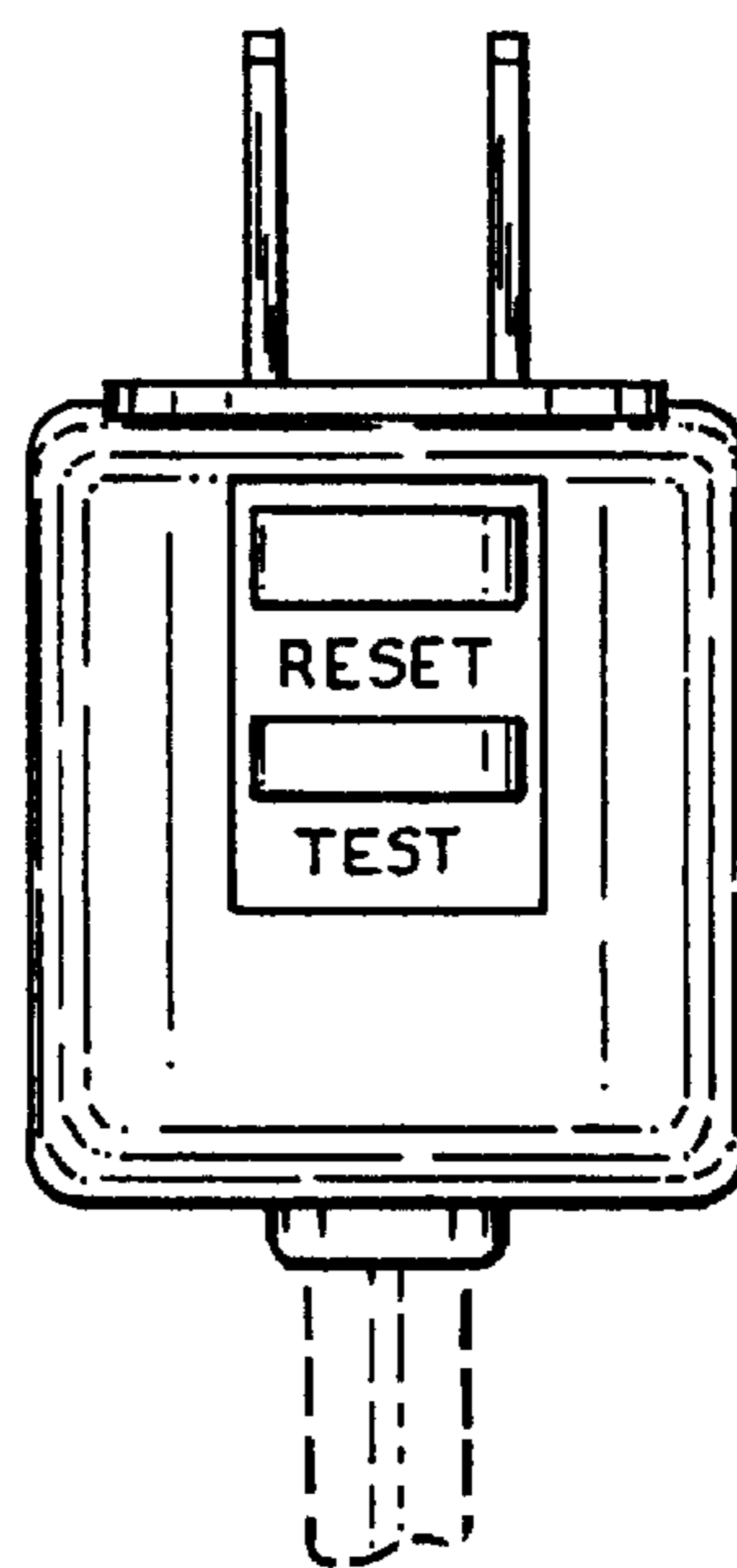


FIG. 12



FIG. 13

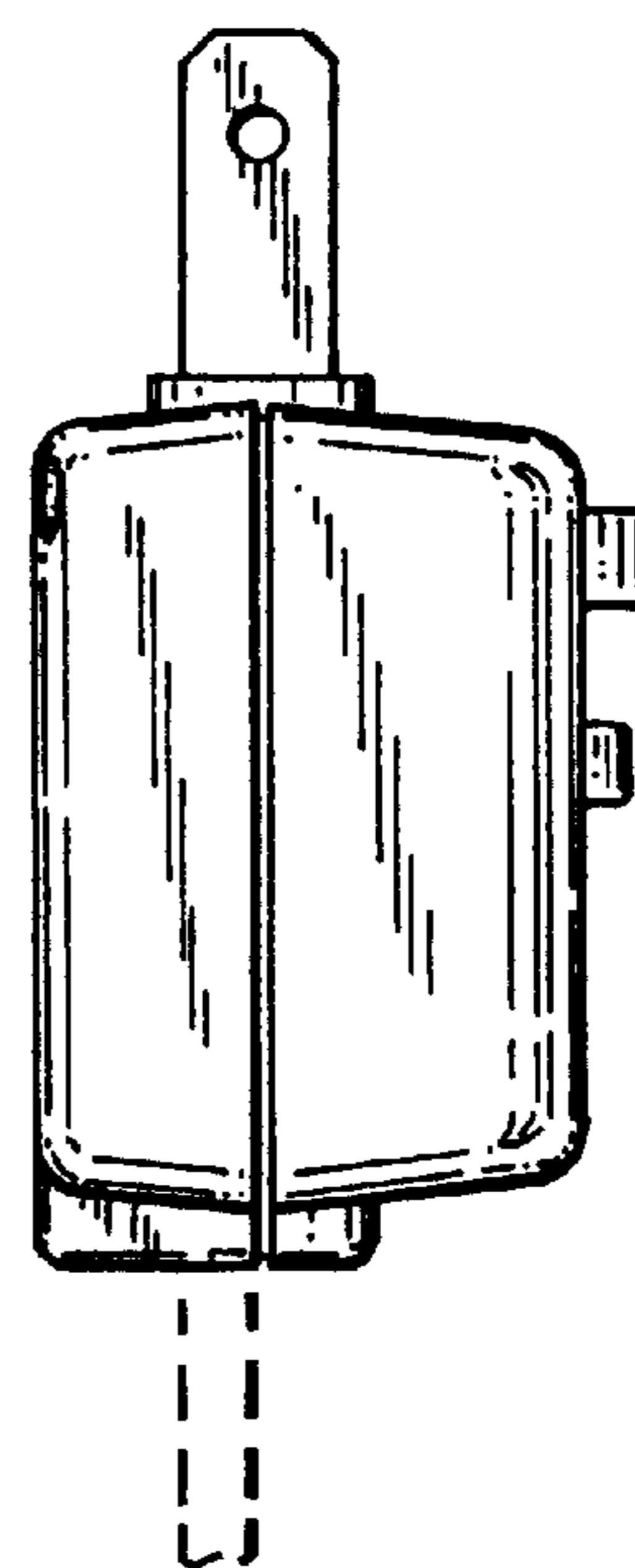


FIG. 14