



US00D400170S

United States Patent [19]

Asai et al.

[11] **Patent Number: Des. 400,170**

[45] **Date of Patent: **Oct. 27, 1998**

[54] **COAXIAL CONNECTOR**

[75] Inventors: **Kiyoshi Asai; Katsuhisa Serizawa; Yoshiyuki Kaku**, all of Tokyo, Japan

[73] Assignee: **SMK Corporation**, Tokyo, Japan

[**] Term: **14 Years**

[21] Appl. No.: **61,169**

[22] Filed: **Oct. 17, 1996**

[30] Foreign Application Priority Data

Jun. 13, 1996 [JP] Japan 8-17543

[51] **LOC (6) Cl.** **13-03**

[52] **U.S. Cl.** **D13/133**

[58] **Field of Search** D13/133; 439/63, 439/394, 578, 581-585

[56] References Cited

U.S. PATENT DOCUMENTS

5,078,621 1/1992 Nishikawa et al. 439/581

5,180,315 1/1993 Nagashima 439/581

5,190,474 3/1993 Ginet 439/581

5,466,160 11/1995 Ogura 439/63

5,662,480 9/1997 Togashi 439/63

Primary Examiner—Alan P. Douglas

Assistant Examiner—Lavone D. Tabor

Attorney, Agent, or Firm—Armstrong, Westerman, Hattori, McLeland, and Naughton

[57] CLAIM

The ornamental design for a coaxial connector, as shown and described.

DESCRIPTION

FIG. 1 is a perspective view taken from the top right hand end of FIG. 2 of a coaxial connector showing my new ornamental design;

FIG. 2 is a top view thereof;

FIG. 3 is a bottom view thereof;

FIG. 4 is a rear elevational view thereof;

FIG. 5 is a front elevational view thereof;

FIG. 6 is a side view thereof taken from the left side; and,

FIG. 7 is a side view thereof taken from the right side.

1 Claim, 2 Drawing Sheets

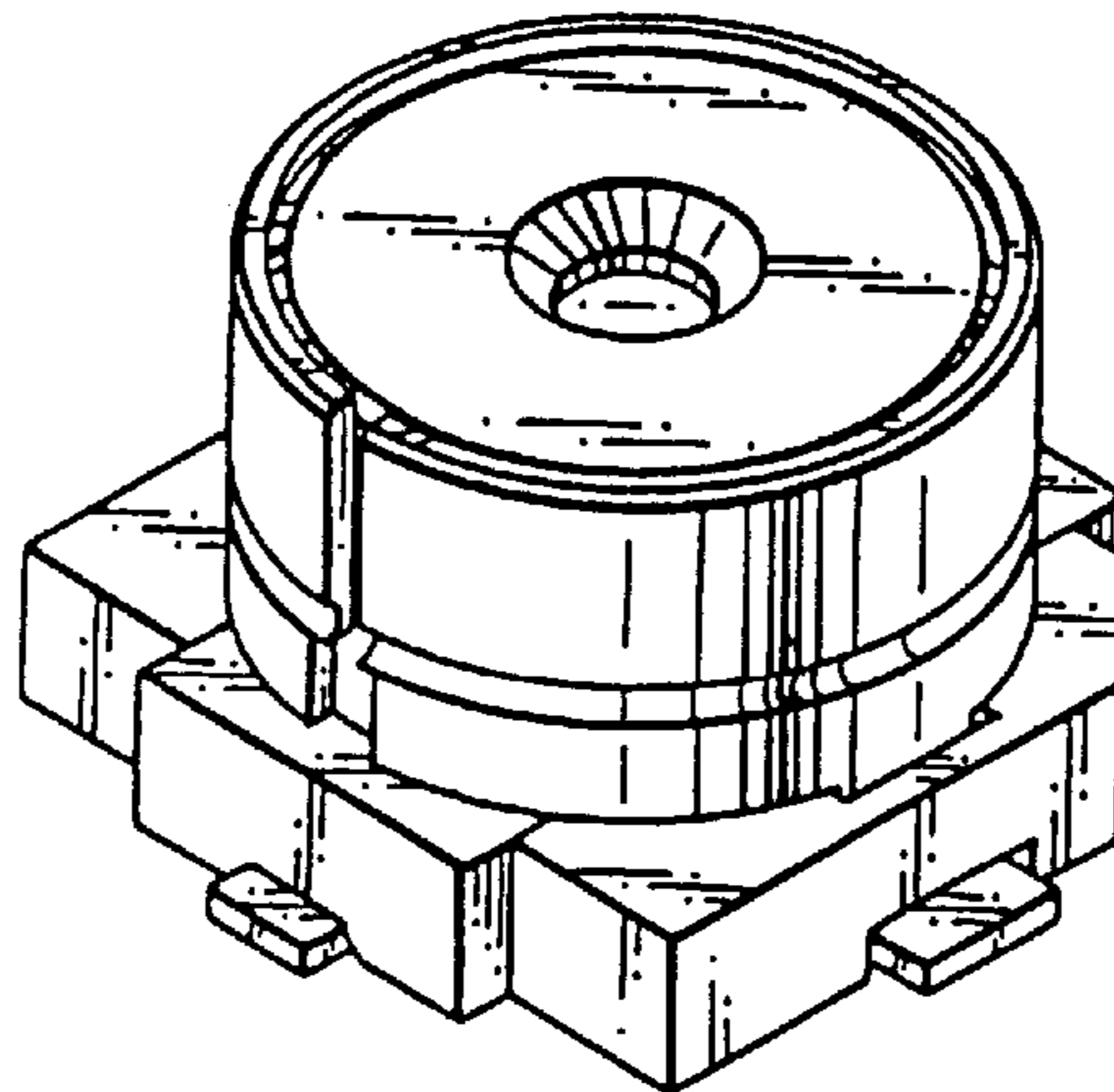


FIG. 1

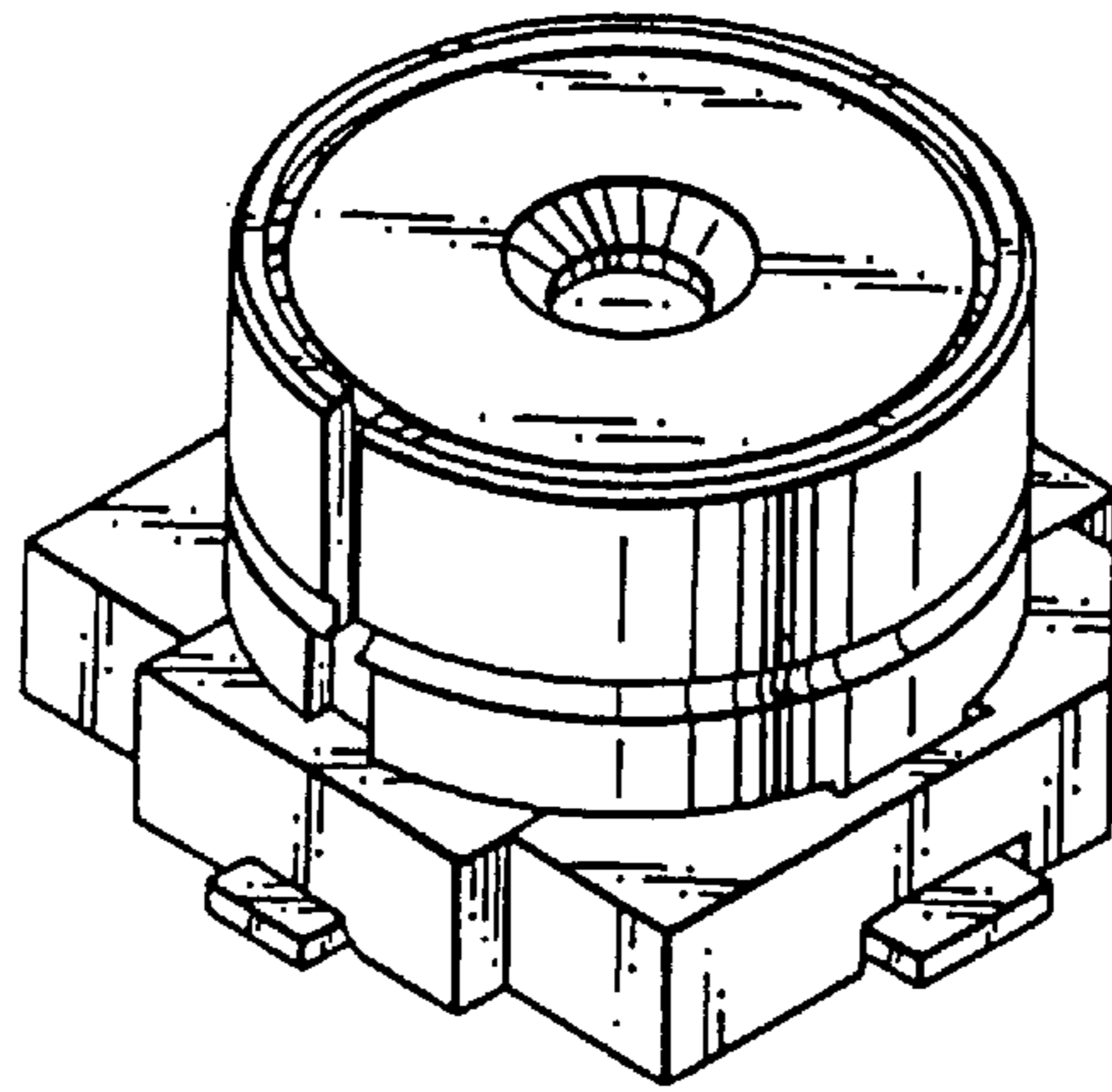


FIG. 2

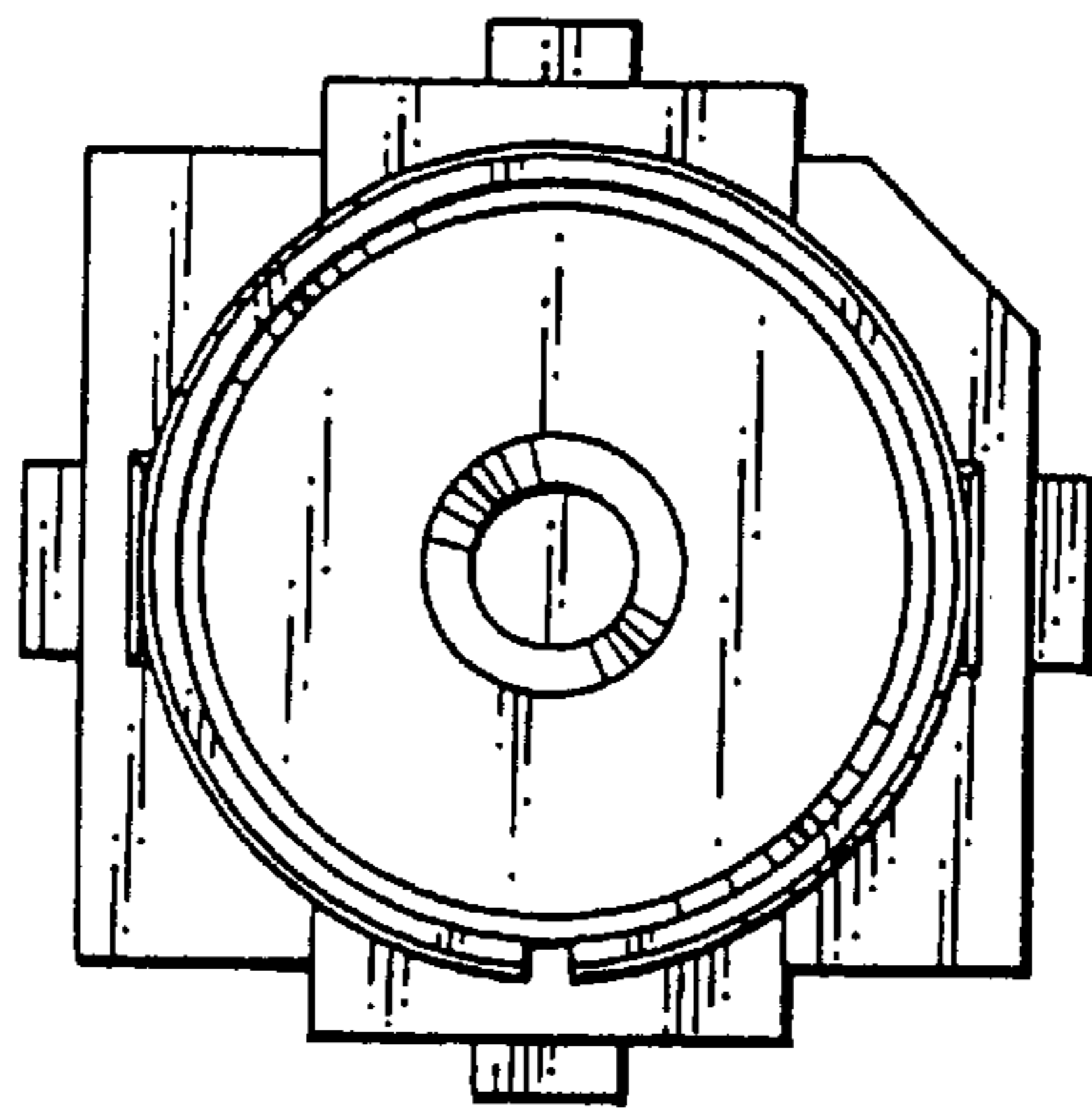


FIG. 3

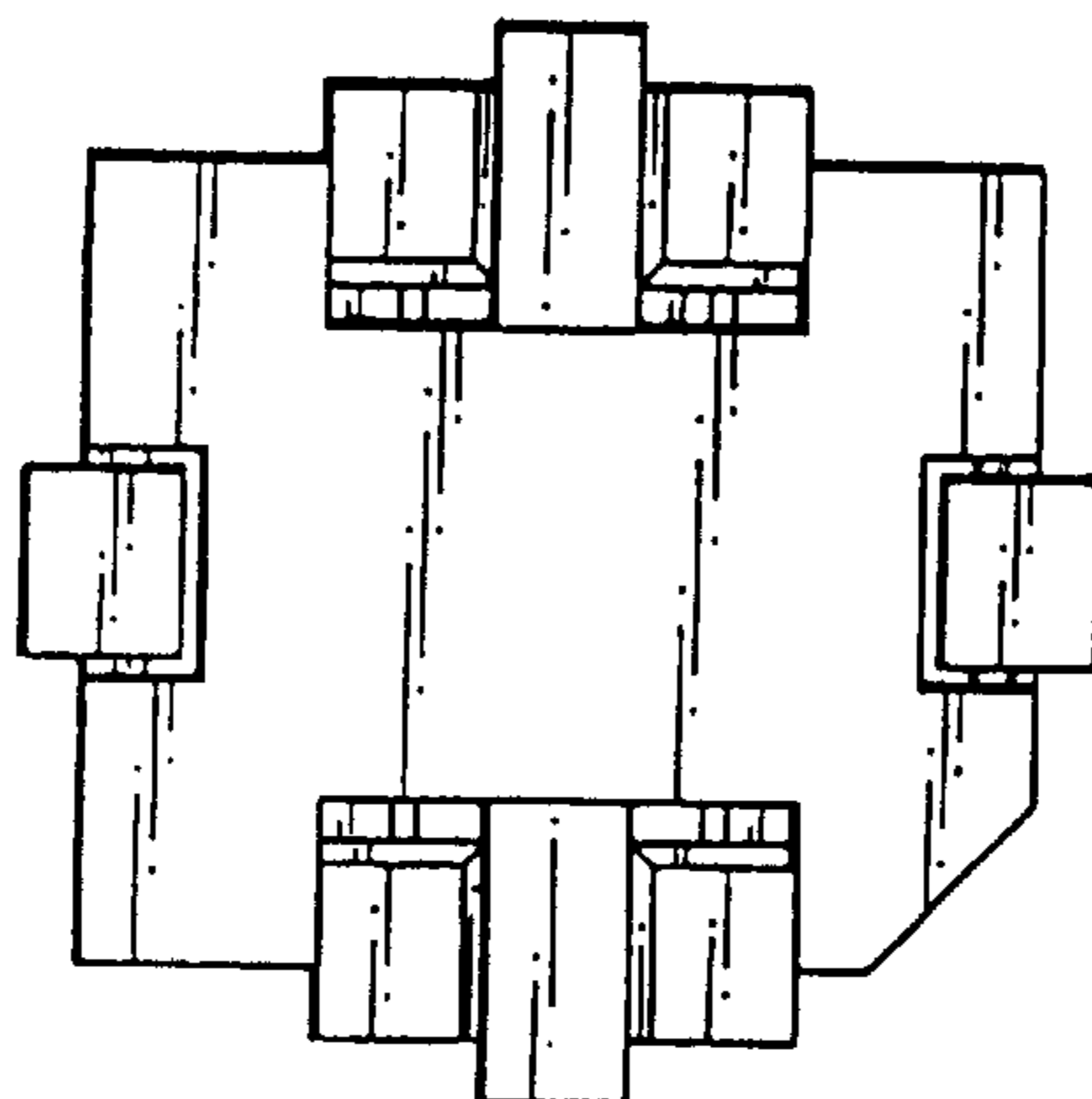


FIG. 4

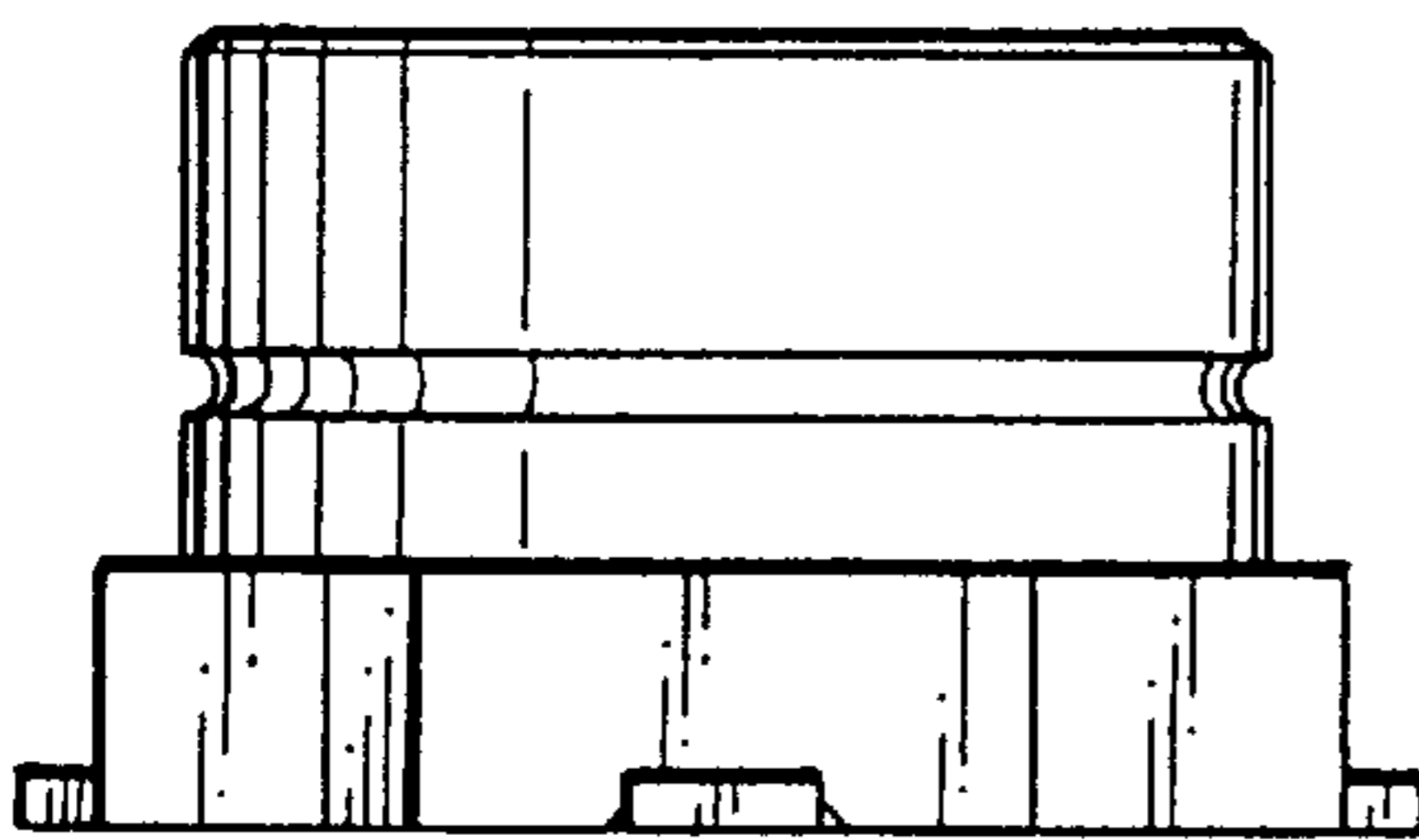


FIG. 5

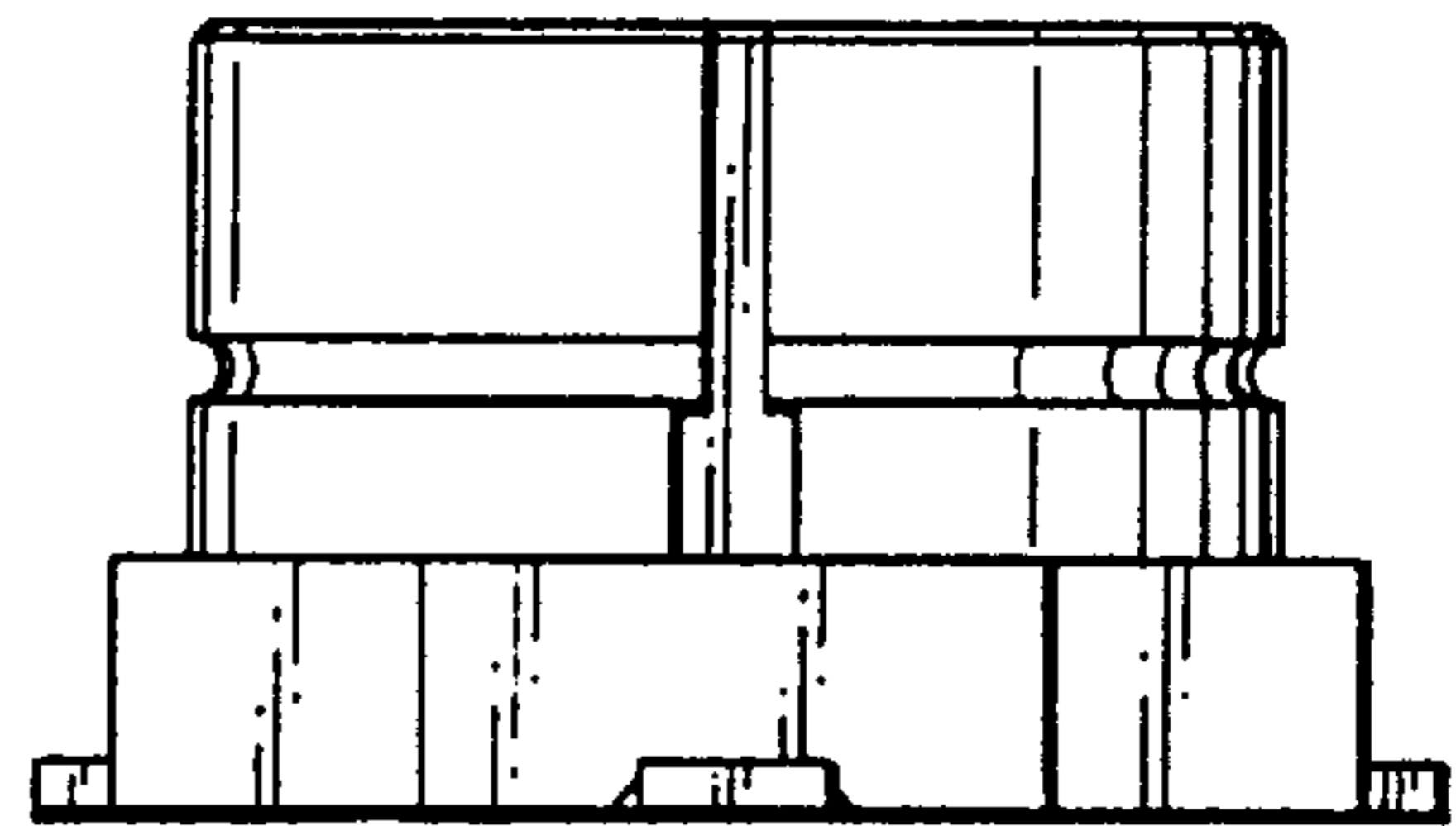


FIG. 6

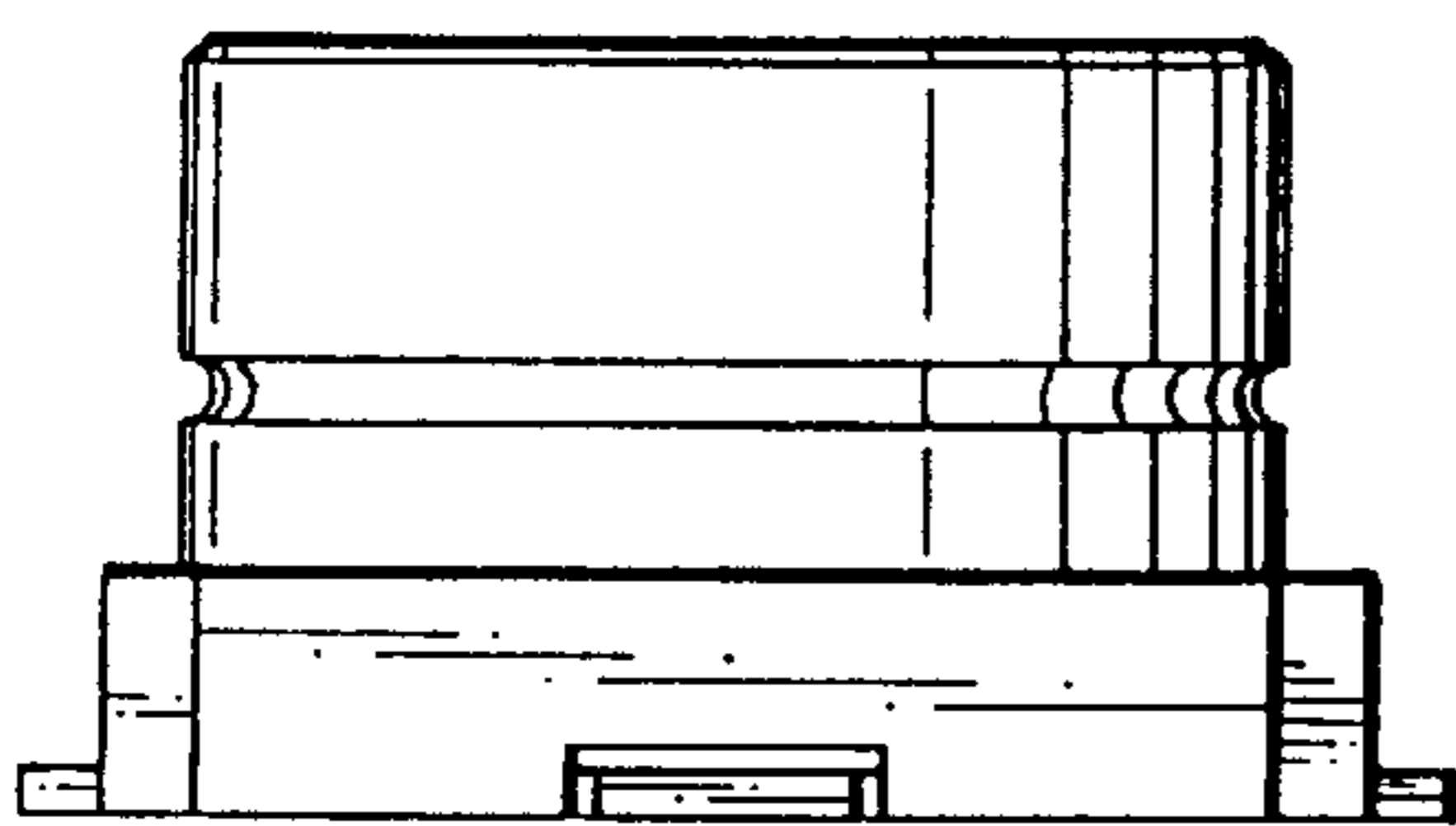


FIG. 7

