



US00D400167S

United States Patent [19]

Klaus

[11] Patent Number: **Des. 400,167**

[45] Date of Patent: ****Oct. 27, 1998**

[54] TRACK-LIGHTING POWER SUPPLY

[75] Inventor: **Dale A. Klaus**, St. Albans, Mo.

[73] Assignee: **Dal Partnership**, St. Louis, Mo.

[**] Term: **14 Years**

[21] Appl. No.: **73,239**

[22] Filed: **Jul. 10, 1997**

[51] LOC (6) Cl. **13-02**

[52] U.S. Cl. **D13/110**

[58] Field of Search D13/101, 110,
D13/118, 123; 174/52.1, 59, 61, 64, DIG. 2

[56] References Cited

U.S. PATENT DOCUMENTS

- D. 290,524 6/1987 Kusmer D13/110
- D. 331,294 11/1992 Wereley .
- D. 355,501 2/1995 Roos et al. .
- D. 383,114 9/1997 Wandler et al. D13/110

OTHER PUBLICATIONS

TRESCO International Ltd. Co., "TRESCO-12" (Commercial/Residential Halogen Track Lighting) pub'd Apr. 1995.

Primary Examiner—Brian N. Vinson
Attorney, Agent, or Firm—Polster, Lieder, Woodruff & Lucchesi

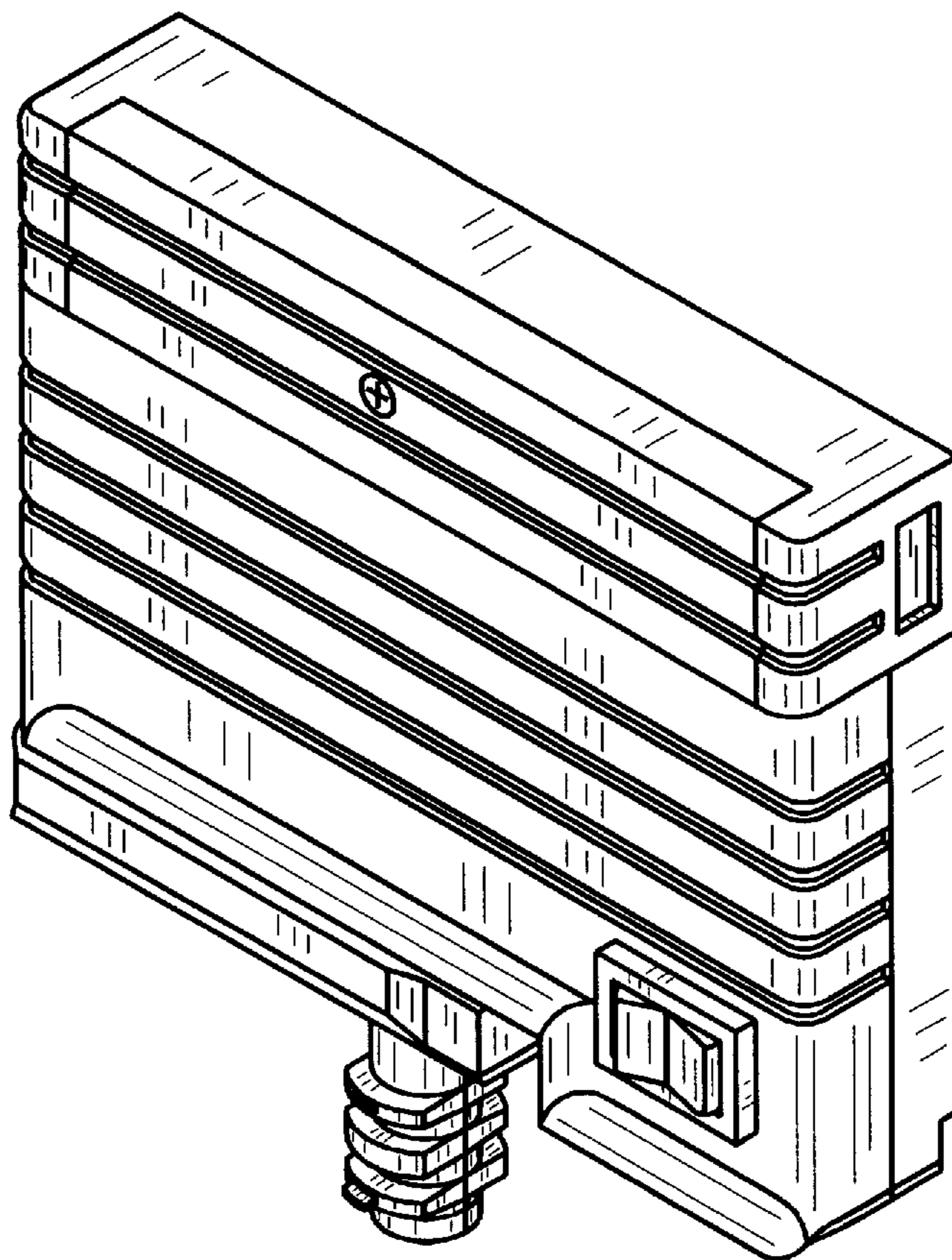
[57] CLAIM

The ornamental design for track-lighting power supply, as shown and described.

DESCRIPTION

FIG. 1 is perspective view of a track lighting supply of the present invention;
FIG. 2 is a bottom plan view of the lighting fixture;
FIG. 3 is a top plan view of the power supply;
FIG. 4 is a left side elevational view of the power supply;
FIG. 5 is a right side elevational view of the power supply;
FIG. 6 is a front elevational view of the power supply; and,
FIG. 7 is a back elevational view of the power supply.

1 Claim, 2 Drawing Sheets



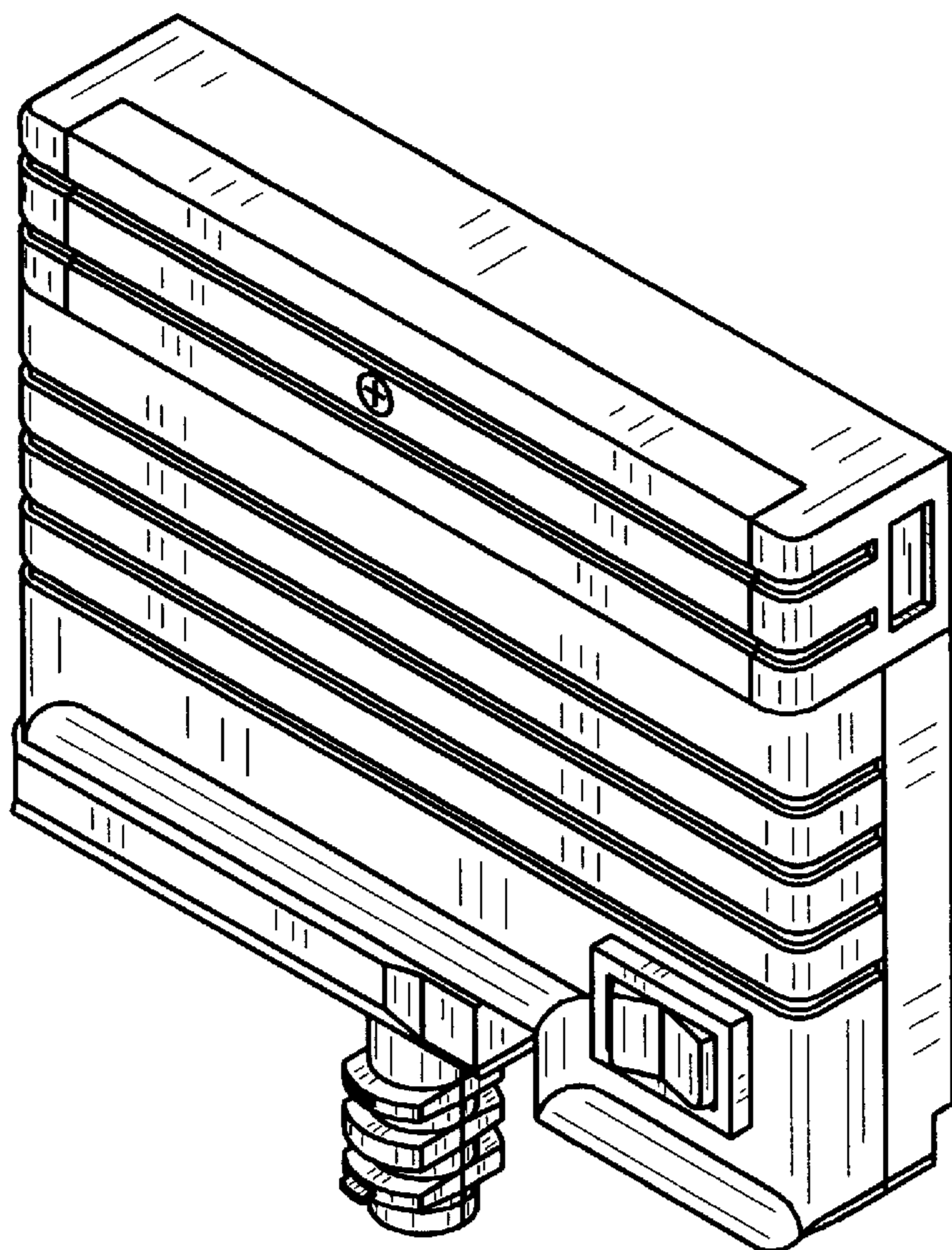


FIG. 1

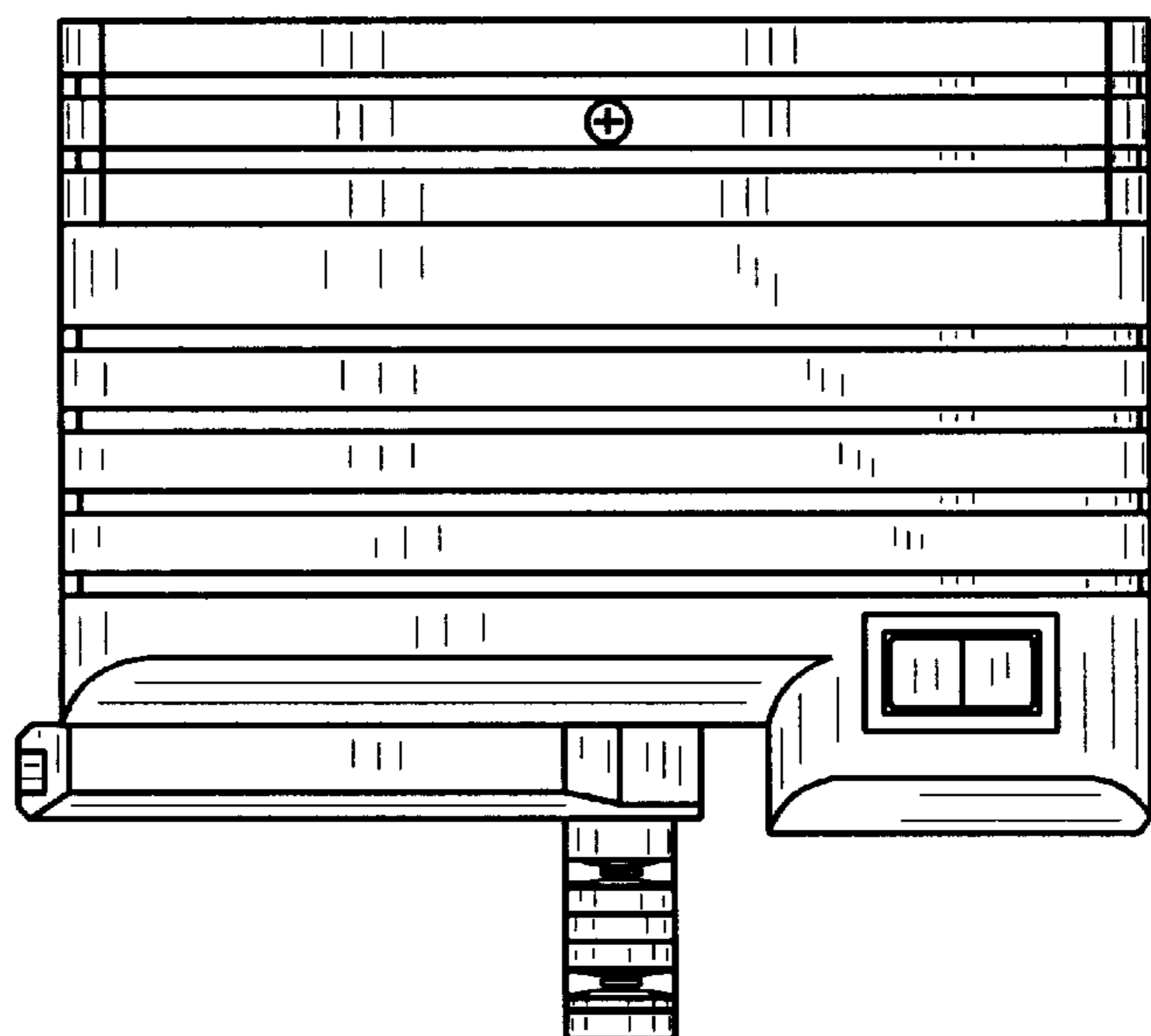


FIG. 2

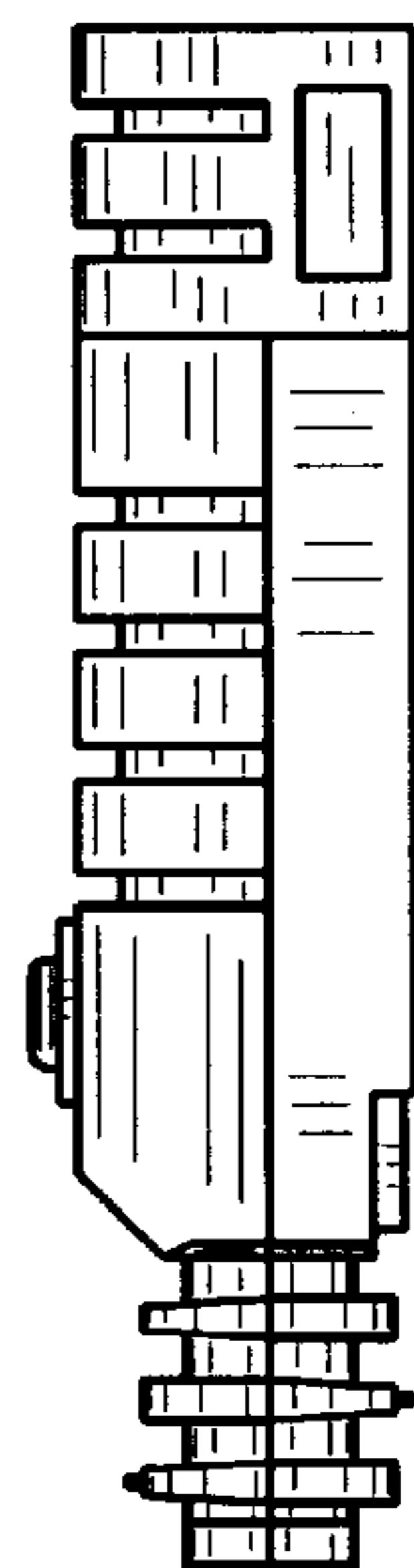


FIG. 4

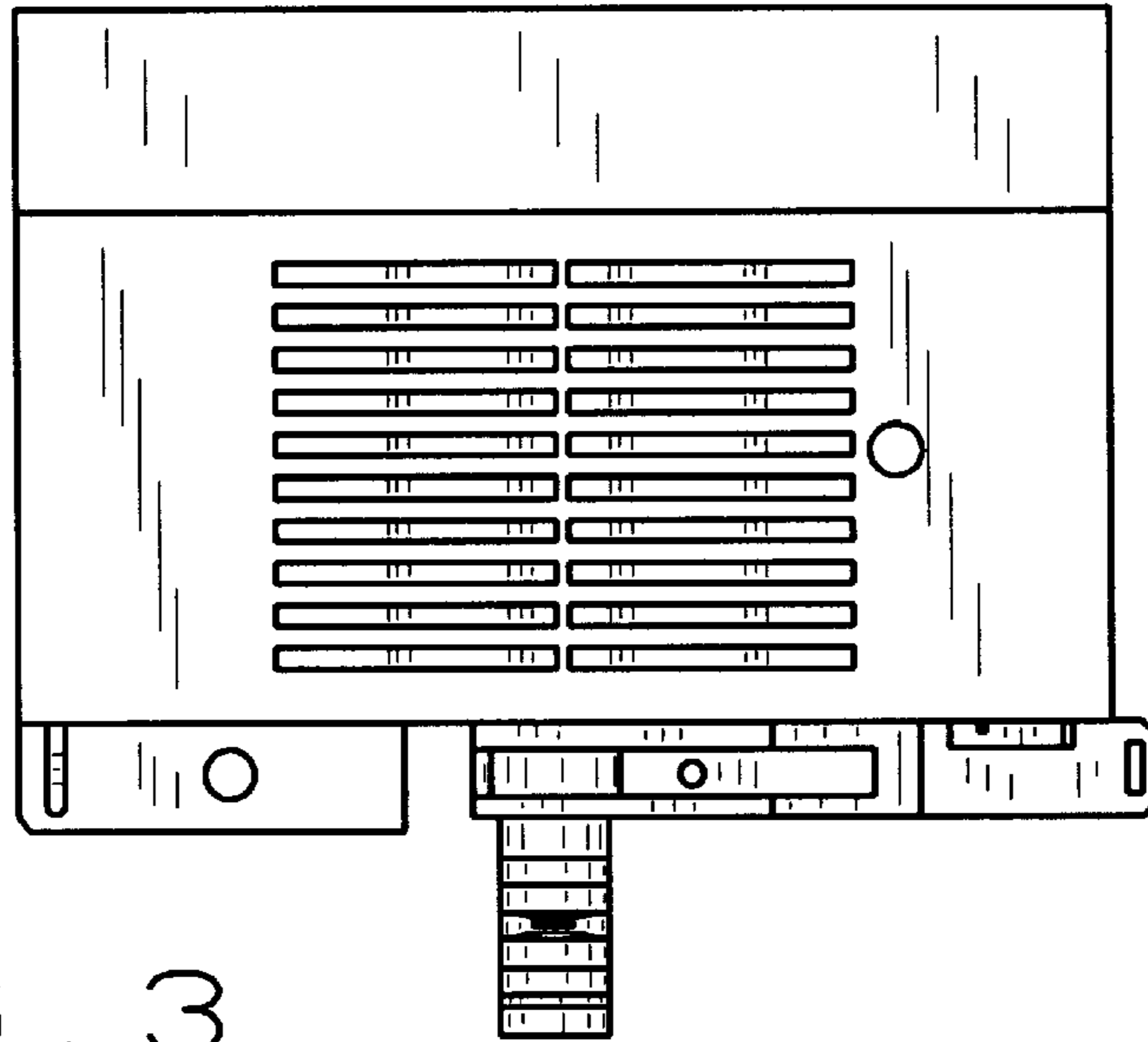


FIG. 3

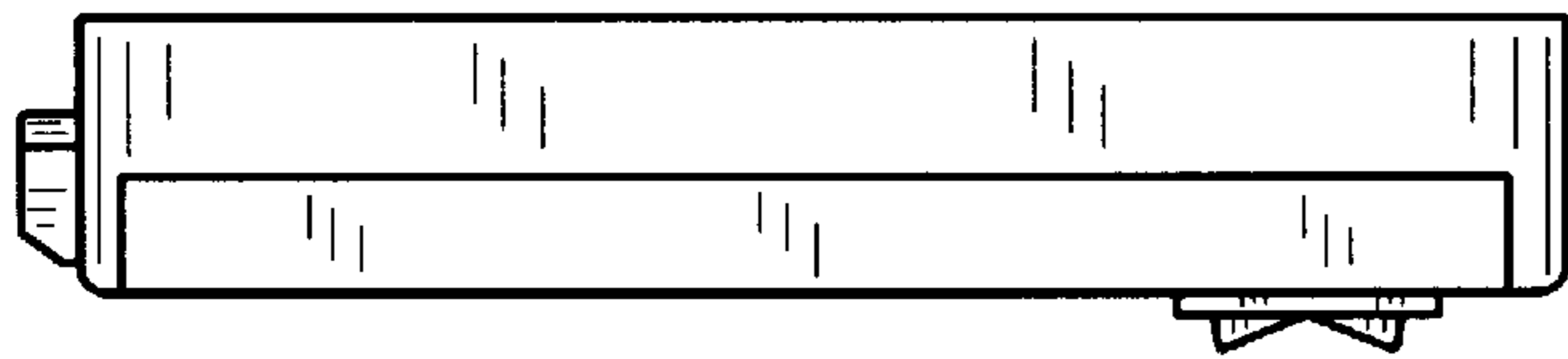


FIG. 6

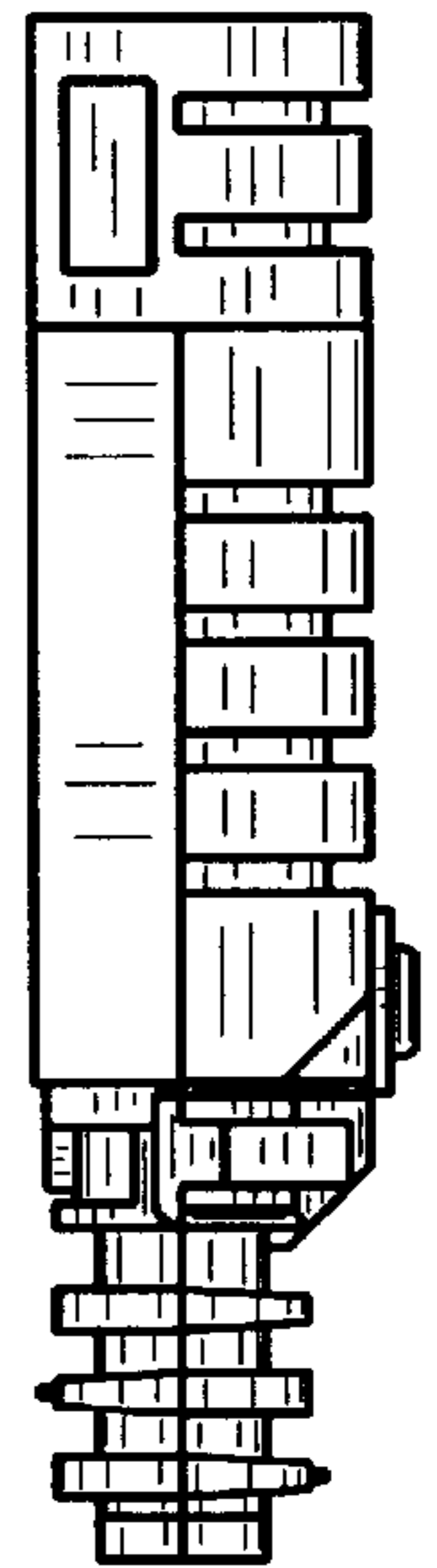


FIG. 5

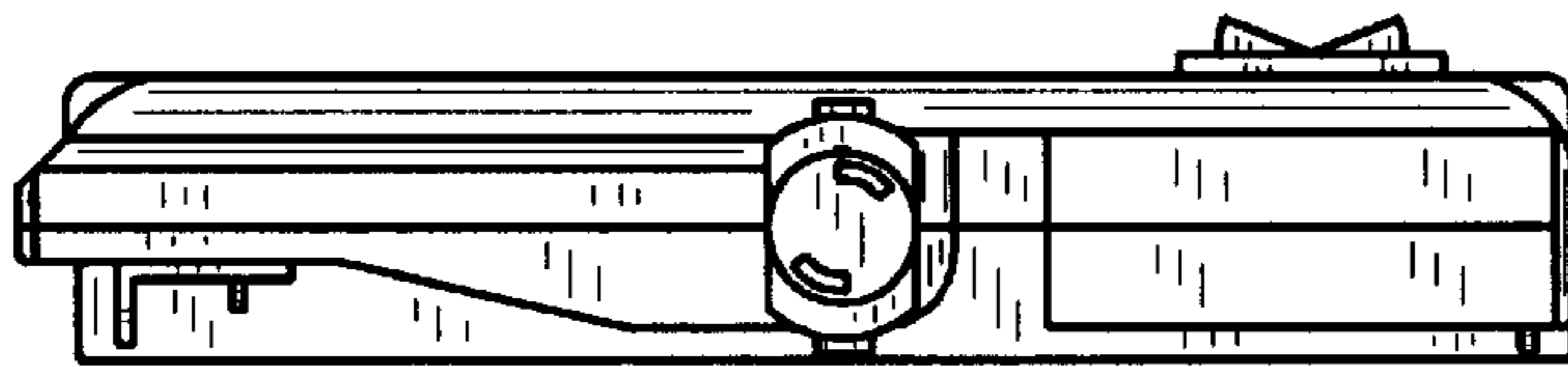


FIG. 7