



US00D400165S

# United States Patent [19]

Nagele et al.

[11] **Patent Number: Des. 400,165**

[45] **Date of Patent: \*\*Oct. 27, 1998**

[54] **CHARGER FOR A PORTABLE COMMUNICATION DEVICE**

[75] Inventors: **Albert L. Nagele**, Wilmette; **Steven C. Emmert**, Crystal Lake, both of Ill.

[73] Assignee: **Motorola, Inc.**, Schaumburg, Ill.

[\*\*] Term: **14 Years**

[21] Appl. No.: **72,436**

[22] Filed: **Jun. 17, 1997**

[51] **LOC (6) Cl.** ..... **13-02**

[52] **U.S. Cl.** ..... **D13/108**

[58] **Field of Search** ..... D13/107, 108, D13/118; D14/251, 253, 149; 320/110-115

[56] **References Cited**

**U.S. PATENT DOCUMENTS**

- D. 346,786 5/1994 Nagele et al. .... D13/108
- D. 363,491 10/1995 Hellier et al. .... D14/253 X
- D. 365,824 1/1996 Danielson et al. .... D14/253 X

- D. 374,014 9/1996 Nagele et al. .... D13/107
- D. 385,283 10/1997 Snyder et al. .... D14/253
- D. 390,824 2/1998 Foster et al. .... D13/108
- D. 393,625 4/1998 Riccobon ..... D13/107
- 5,321,349 6/1994 Chang ..... 320/115 X
- 5,371,784 12/1994 Yankura ..... 320/115 X
- 5,479,486 12/1995 Saji ..... 320/115 X

*Primary Examiner*—Joel Sincavage  
*Attorney, Agent, or Firm*—John G. Rauch

[57] **CLAIM**

The ornamental design for a charger for a portable communication device, as shown and described.

**DESCRIPTION**

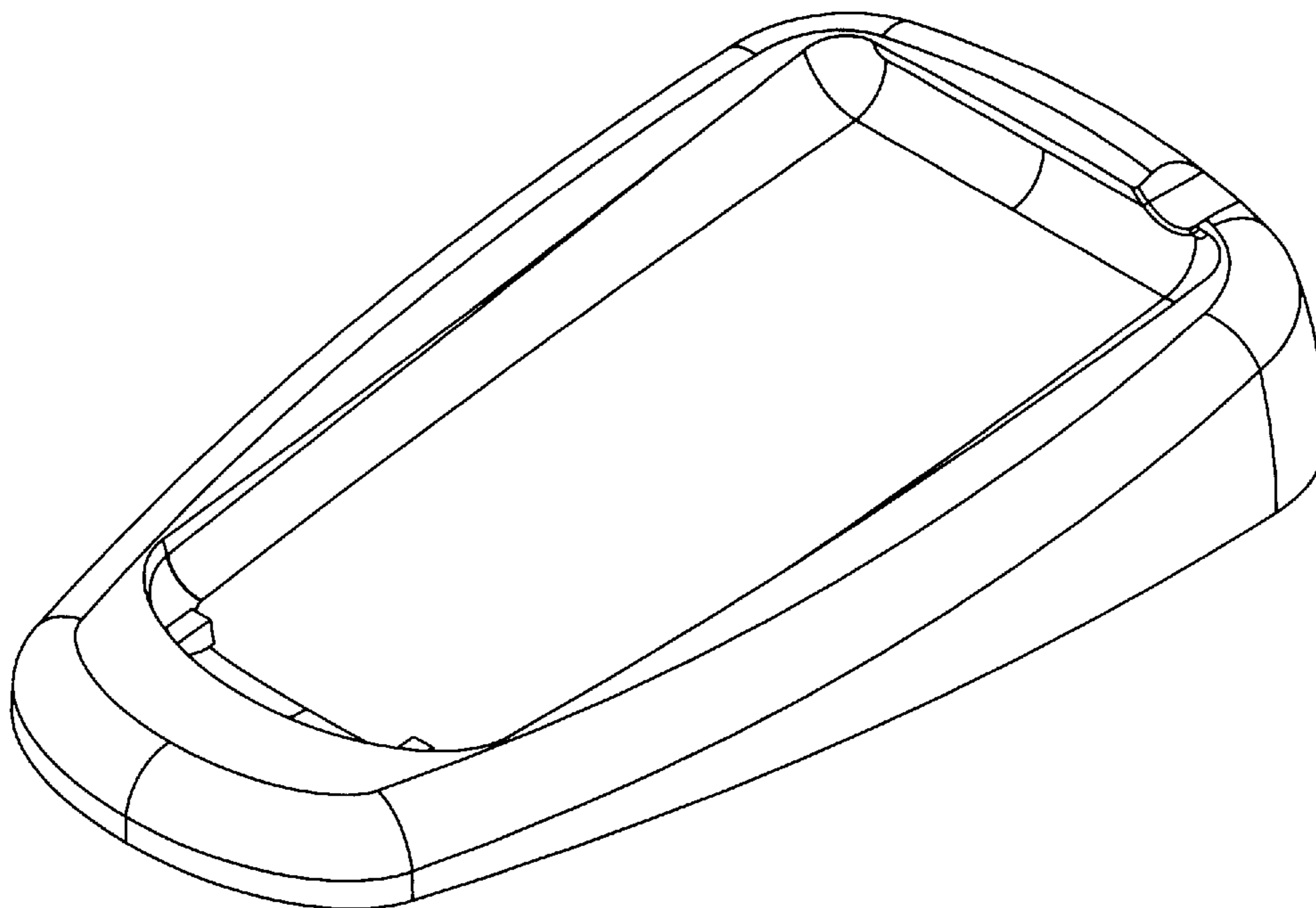
FIG. 1 is a bottom, right, front perspective view of a charger for a portable communication device showing our new design;

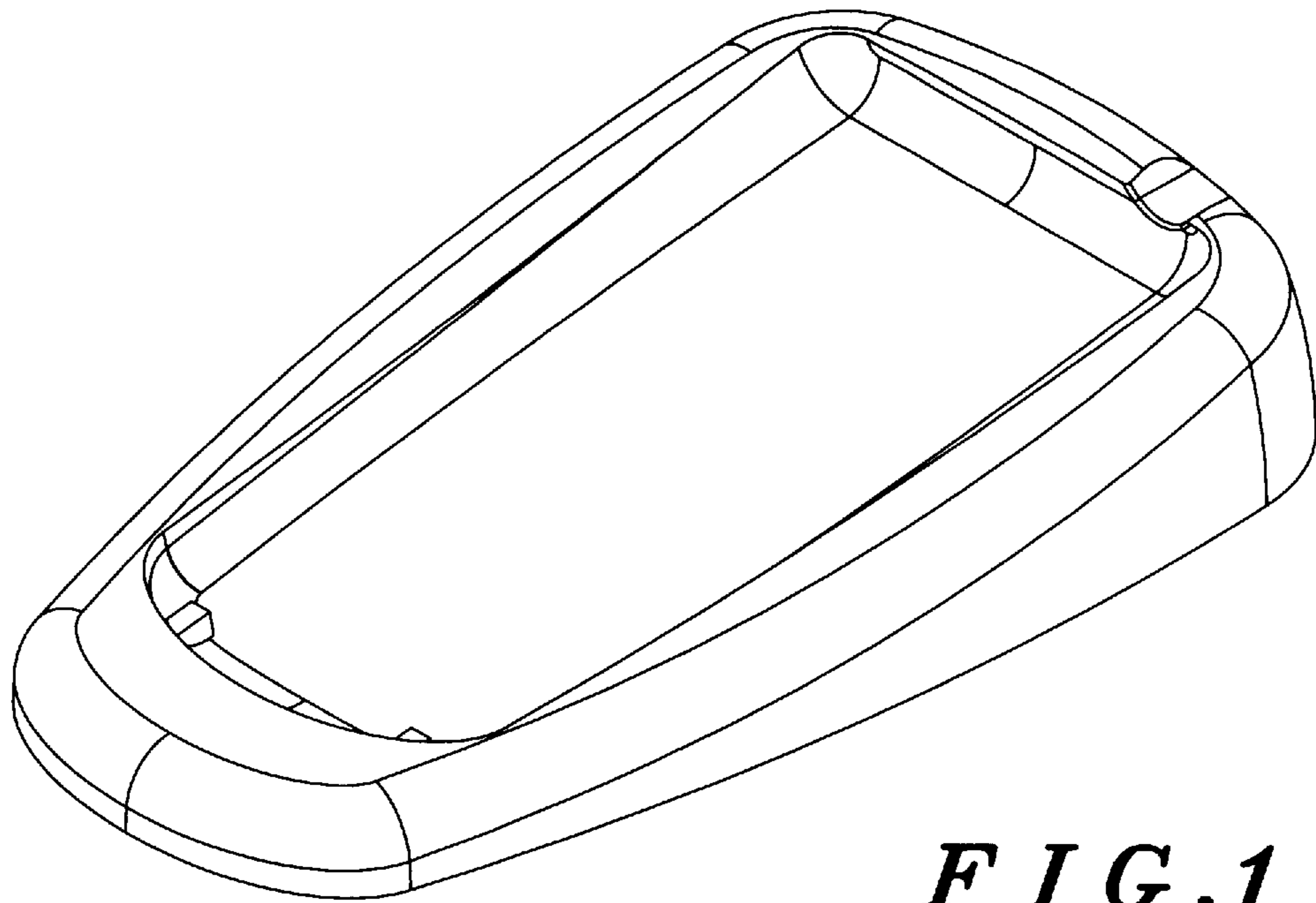
FIG. 2 is a top elevation view thereof;

FIG. 3 is a rear elevation view thereof; and,

FIG. 4 is a left elevation view thereof.

**1 Claim, 2 Drawing Sheets**

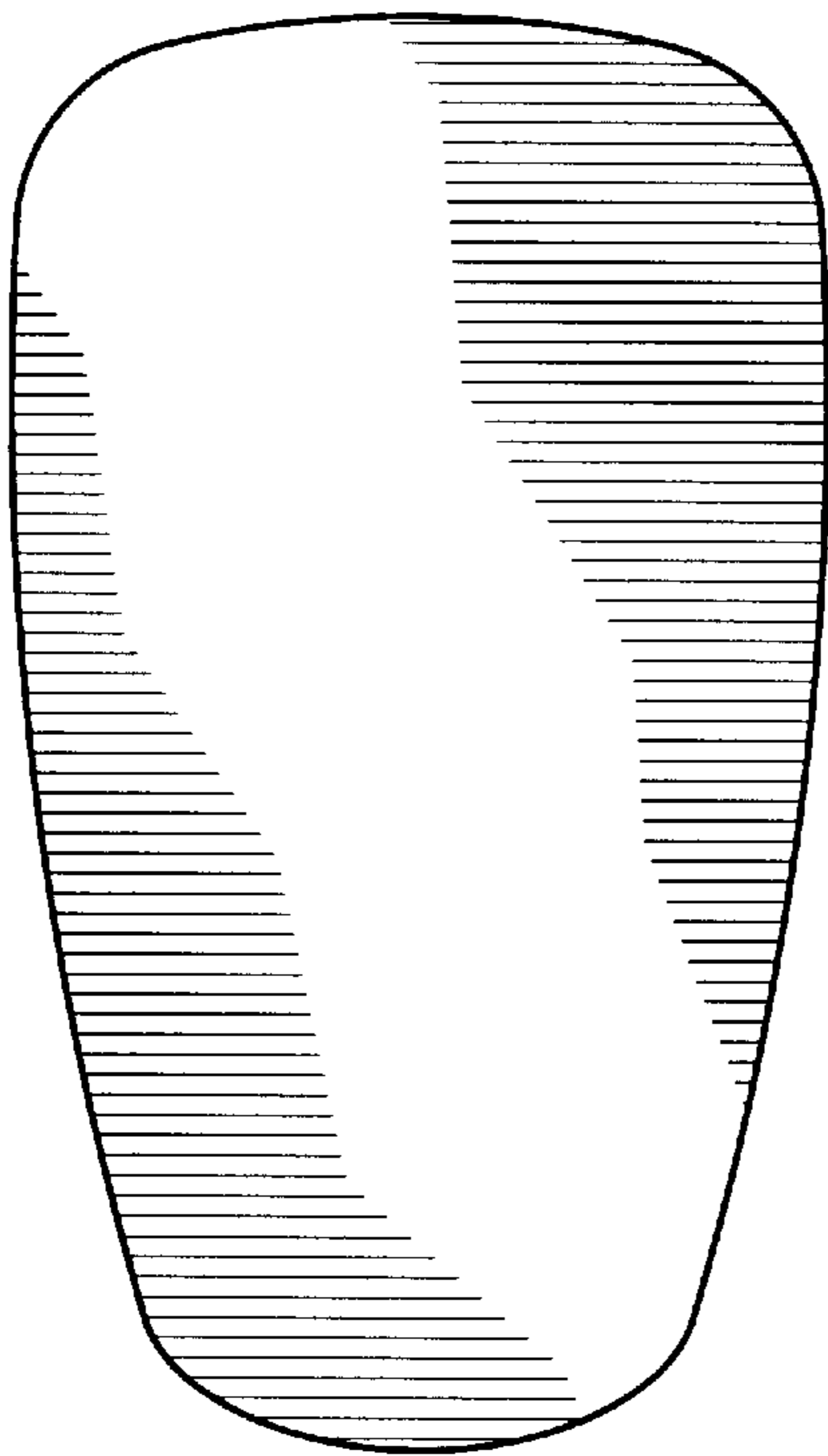




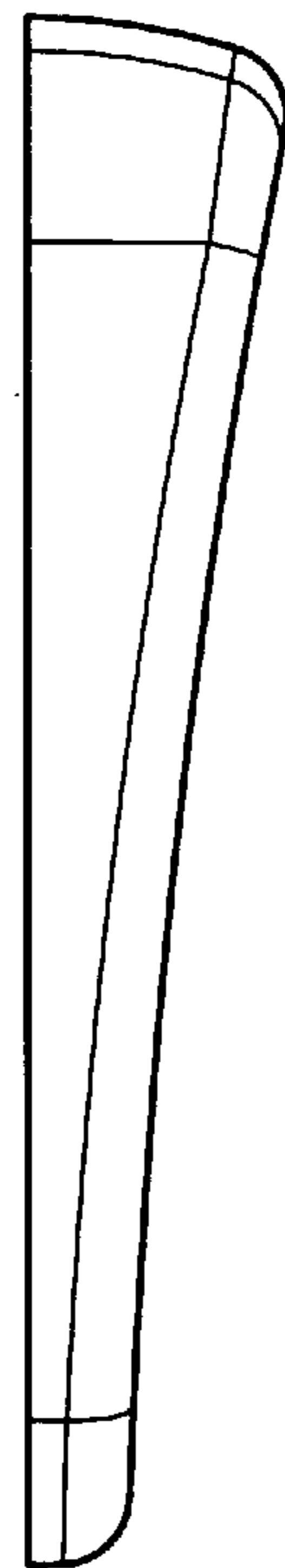
*FIG. 1*



**FIG. 2**



**FIG. 3**



**FIG. 4**