



US00D400162S

United States Patent [19] Lam

[11] **Patent Number: Des. 400,162**

[45] **Date of Patent: **Oct. 27, 1998**

[54] **SOLAR POWERED BATTERY CHARGER**

[76] Inventor: **Yuen-Ming Lam**, 15/F., Tak King Industrial Building, 27 Lee Chung Street, Chaiwan, Hong Kong

[**] Term: **14 Years**

[21] Appl. No.: **60,689**

[22] Filed: **Oct. 4, 1996**

[51] **LOC (6) Cl.** **13-02**

[52] **U.S. Cl.** **D13/107**

[58] **Field of Search** D13/107, 108;
320/2, 3, 4, 15

[56] **References Cited**

U.S. PATENT DOCUMENTS

D. 278,702	5/1985	Chiodo et al.	D13/107
D. 278,703	5/1985	Chiodo et al.	D13/107
D. 352,927	11/1994	Williams	D13/107
D. 358,363	5/1995	Usami	D13/107
D. 375,934	11/1996	Rosen et al.	D13/107

OTHER PUBLICATIONS

Battery chargers on p. 365 of Hong Kong Enterprise, Jun. 1994.

Primary Examiner—Joel Sincavage

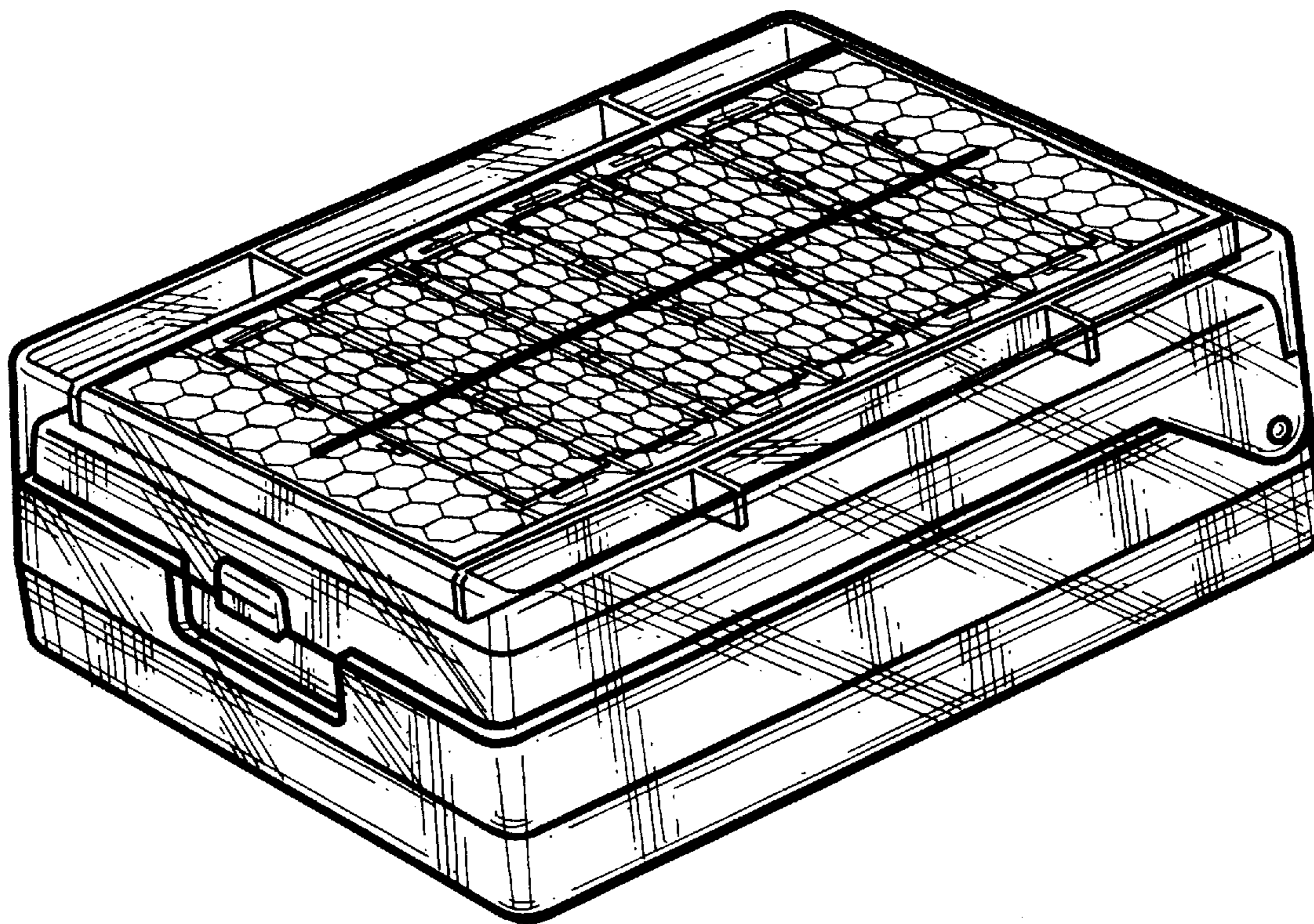
[57] **CLAIM**

The ornamental design for a “solar powered battery charger”, as shown and described.

DESCRIPTION

FIG. 1 is a front view of a “solar powered battery charger” showing my design;
FIG. 2 is a rear view thereof;
FIG. 3 is a top plan view thereof;
FIG. 4 is a bottom plan view thereof;
FIG. 5 is a left side elevational view thereof;
FIG. 6 is a right side elevational view thereof;
FIG. 7 is a perspective view thereof; and,
FIG. 8 is a perspective view thereof with the cover in the open position.

1 Claim, 8 Drawing Sheets



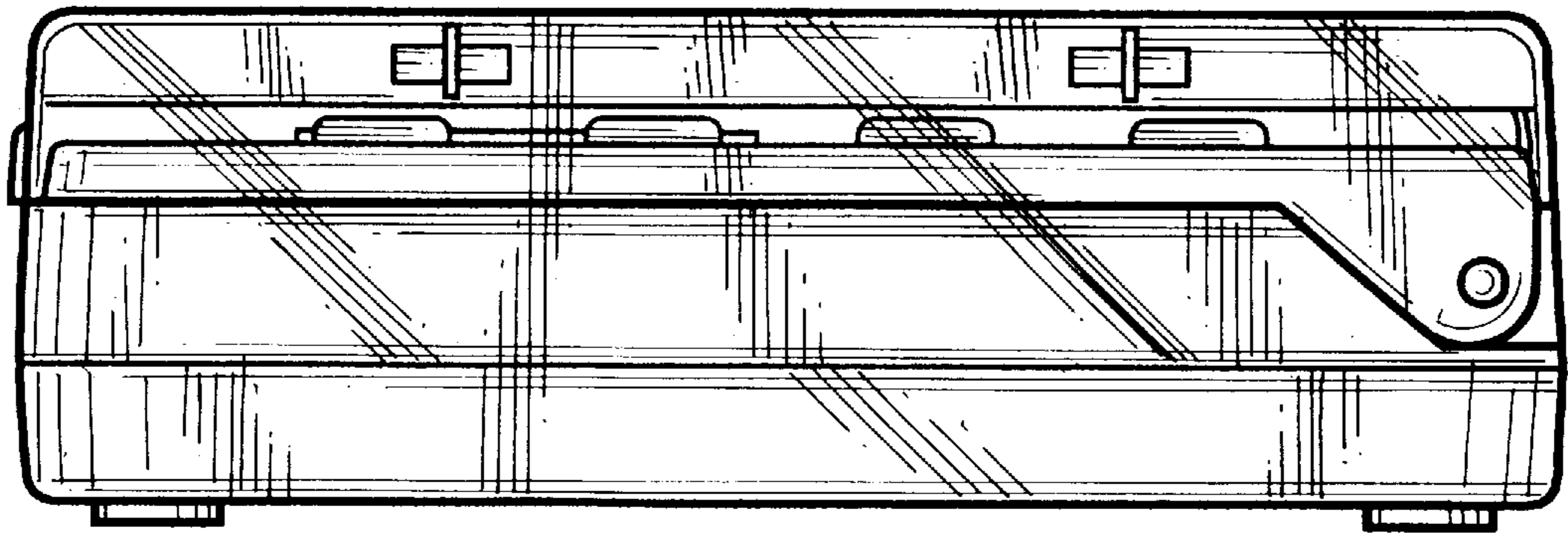


FIG. 1

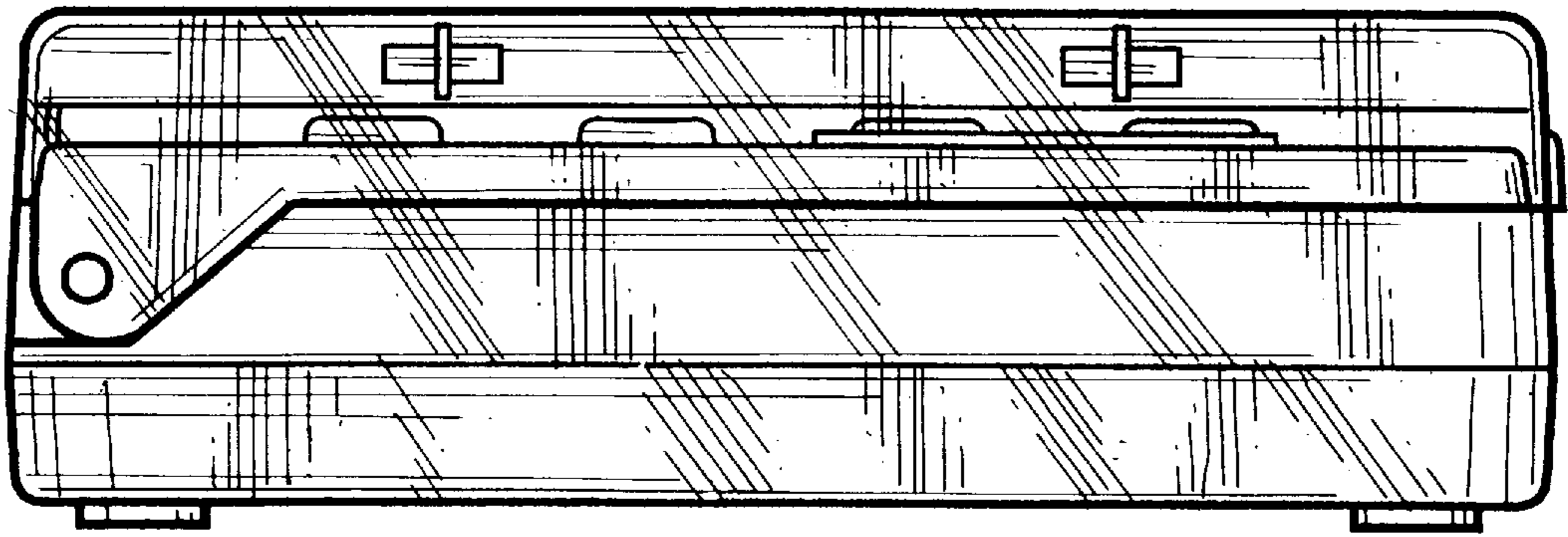


FIG. 2

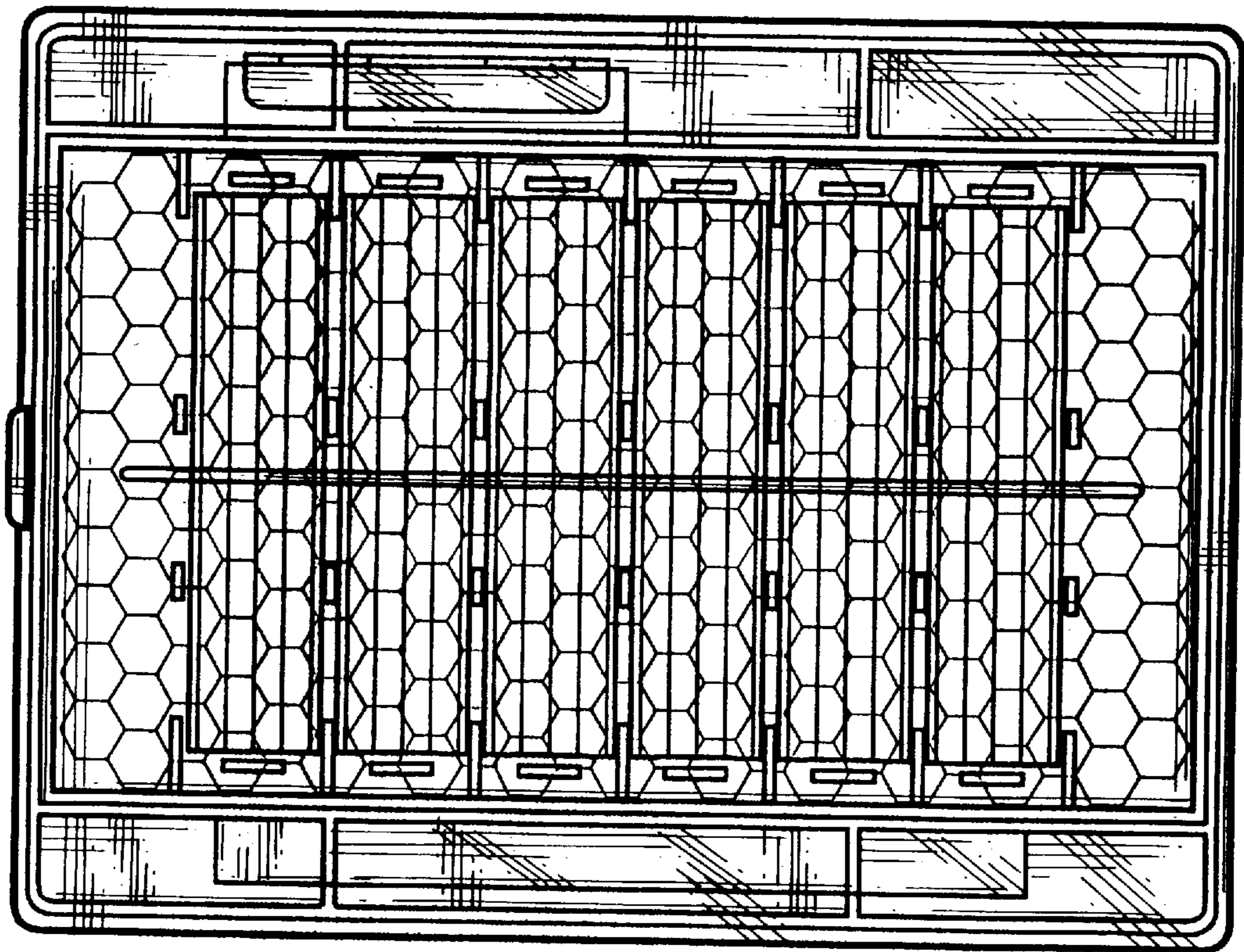


FIG. 3

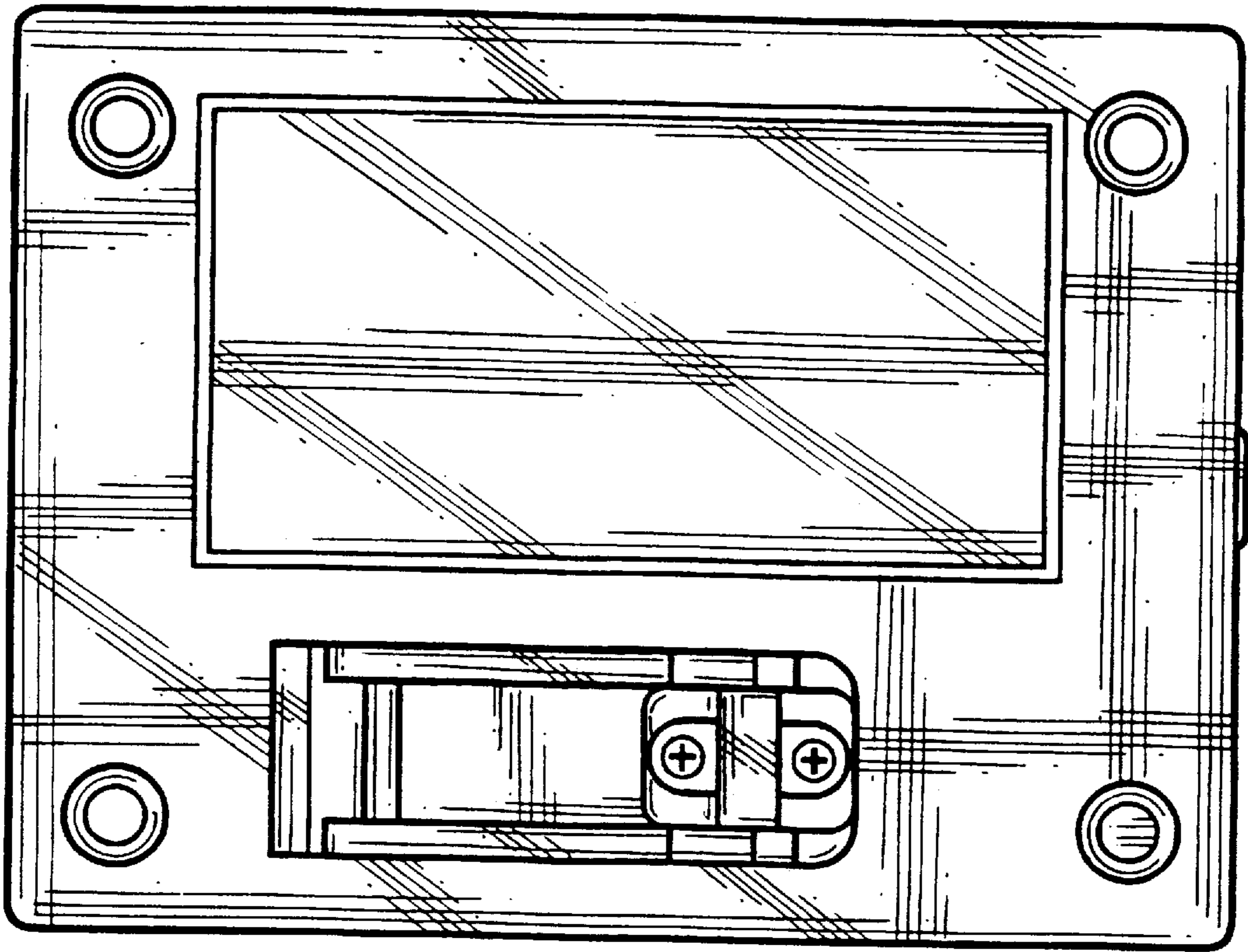


FIG. 4

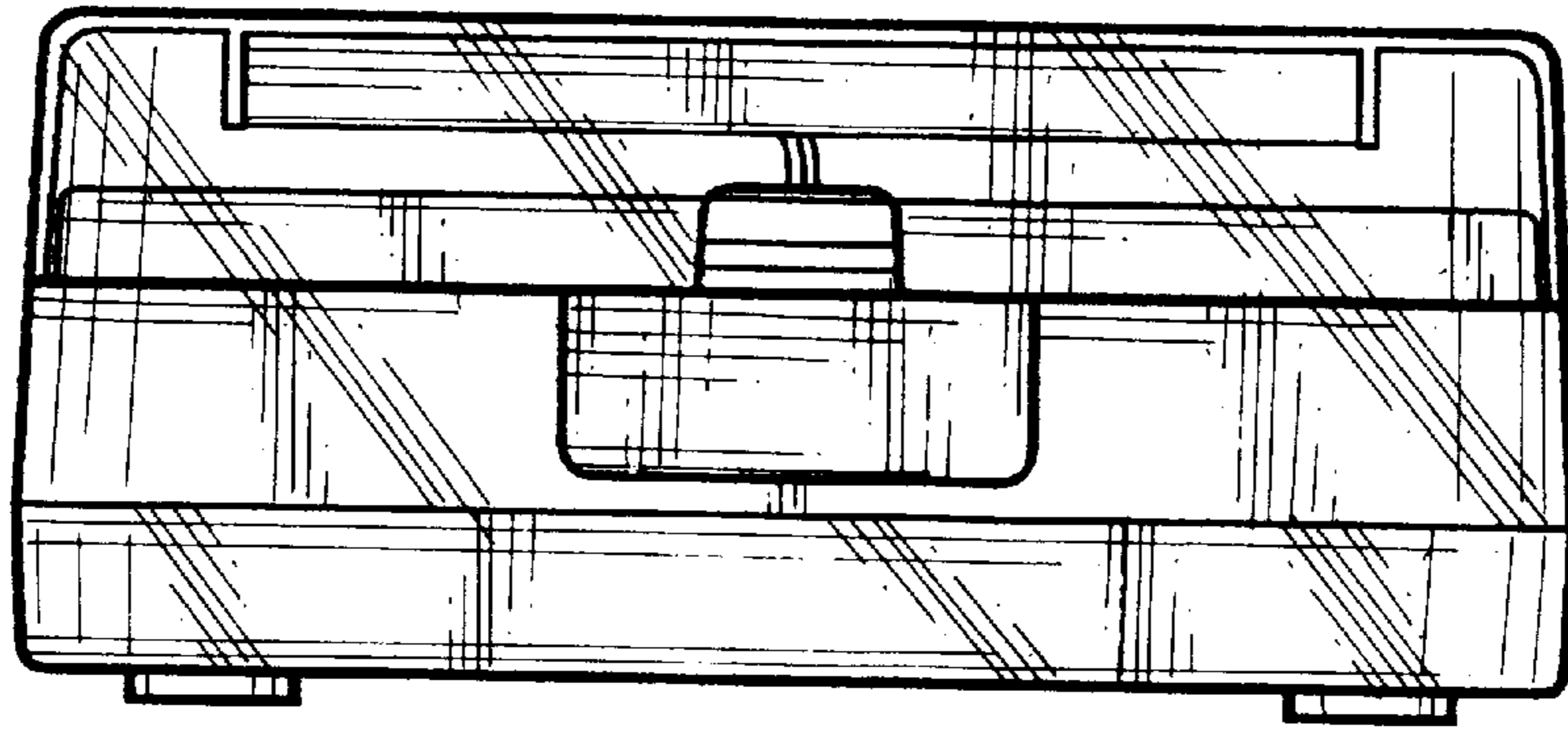


FIG. 5

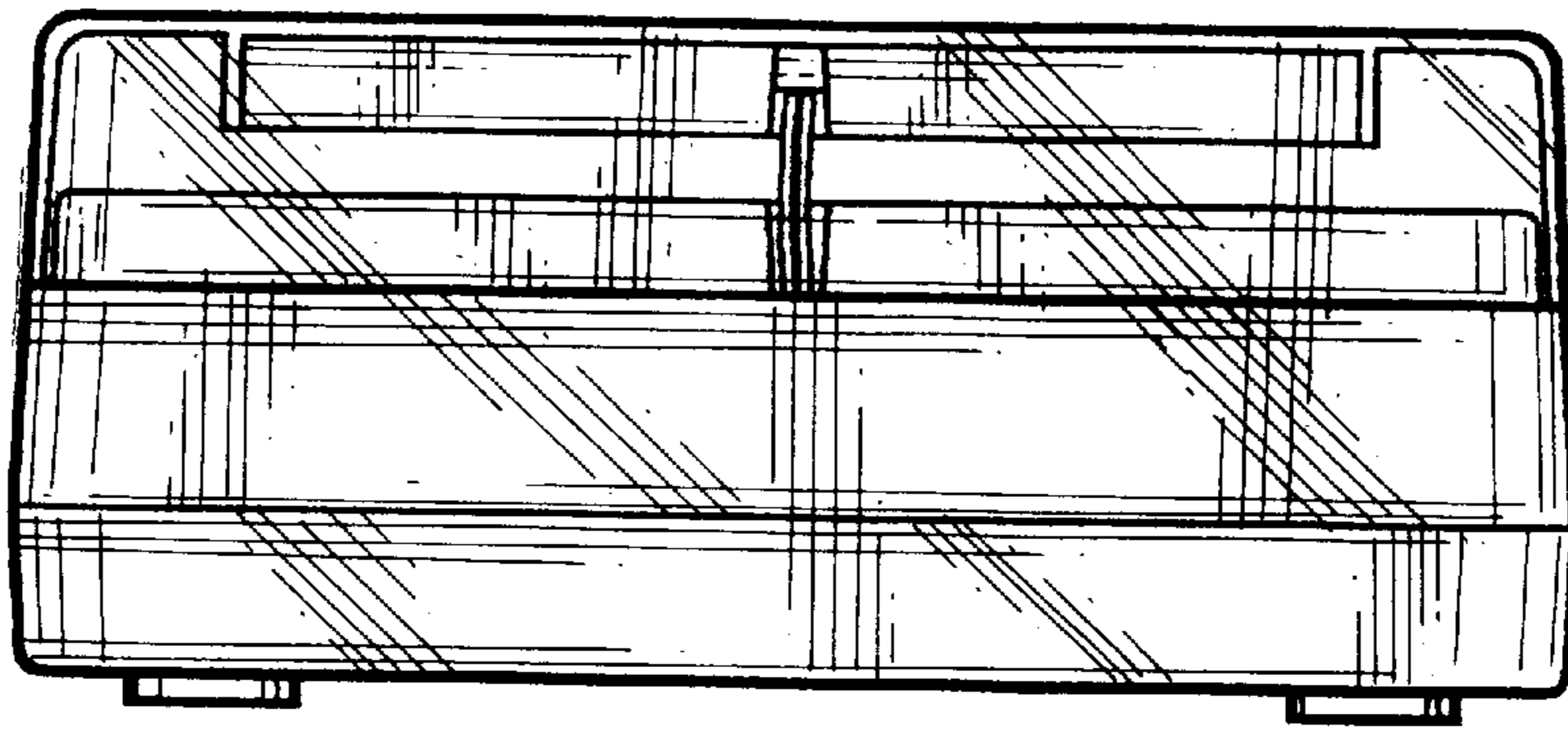


FIG. 6

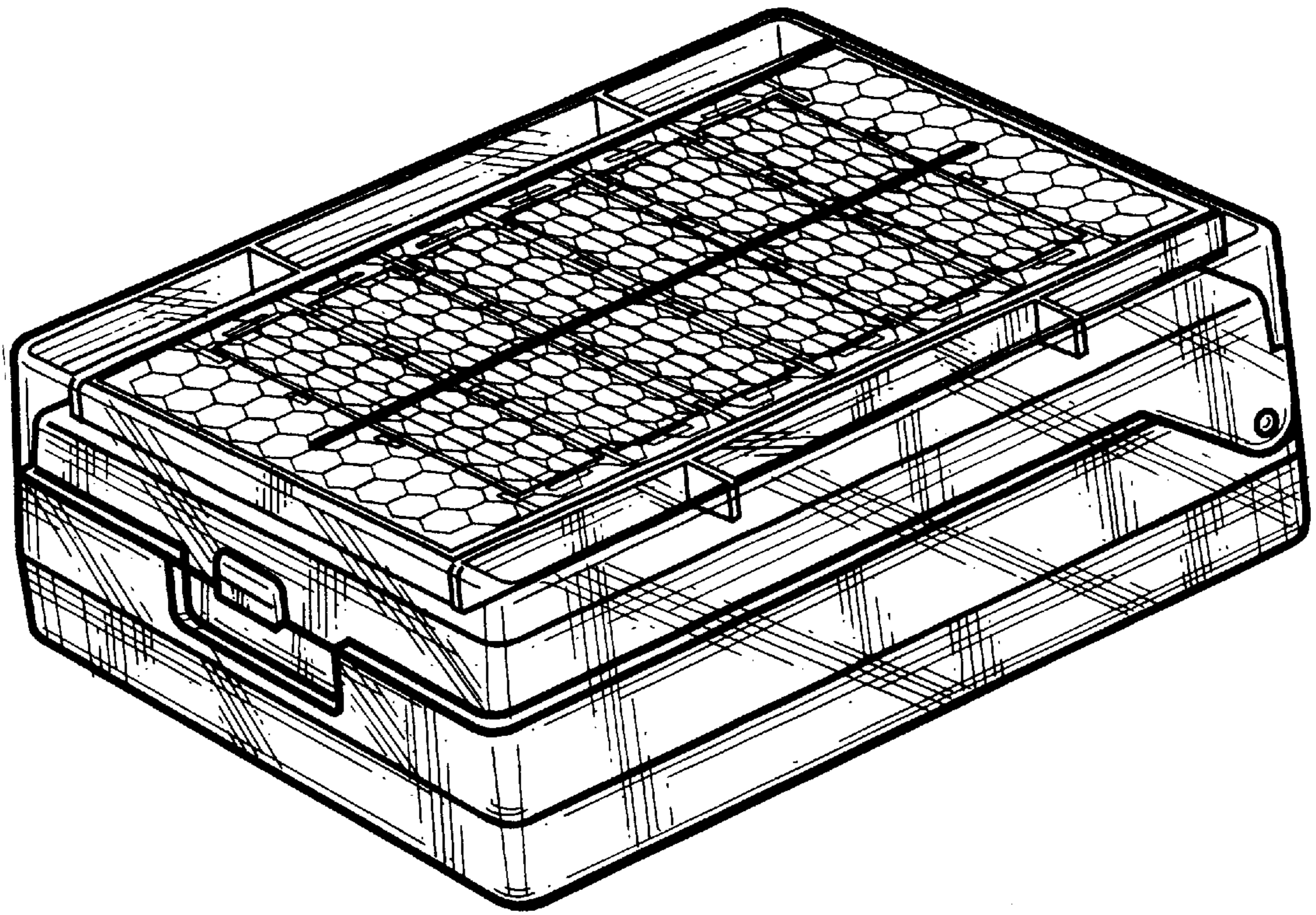


FIG. 7

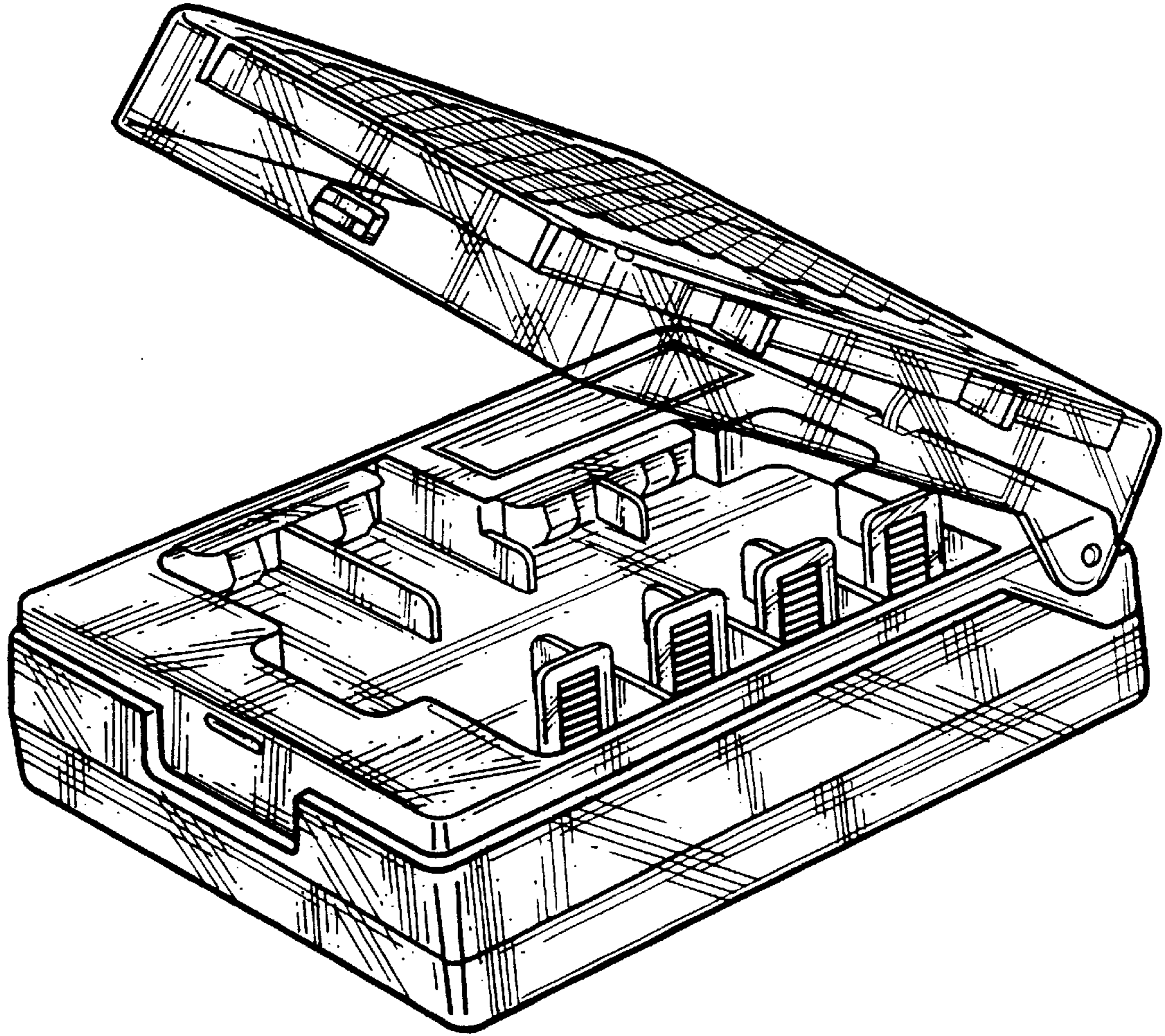


FIG. 8