

US00D400161S

United States Patent [19]

Nagele et al.

[11] Patent Number: **Des. 400,161**

[45] Date of Patent: ****Oct. 27, 1998**

[54] **BATTERY HOUSING**

[75] Inventors: **Albert L. Nagele**, Wilmette; **John F. Hannon**, Gurnee; **Lisa M. Kaye**, Palatine, all of Ill.

[73] Assignee: **Motorola, Inc.**, Schaumburg, Ill.

[**] Term: **14 Years**

[21] Appl. No.: **74,460**

[22] Filed: **Jul. 31, 1997**

[51] **LOC (6) Cl.** **13-02**

[52] **U.S. Cl.** **D13/103**

[58] **Field of Search** D13/103; 429/96-100, 429/163, 176

[56] **References Cited**

U.S. PATENT DOCUMENTS

D. 344,260	2/1994	Leiserson et al.	D13/103
D. 367,640	3/1996	Nagele et al.	D13/103
D. 374,424	10/1996	Nagele et al.	D13/103
D. 375,932	11/1996	Nagele et al.	D13/103
D. 376,127	12/1996	Nagele et al.	D13/103
D. 382,536	8/1997	Amero, Jr.	D13/103

Primary Examiner—Joel Sincavage
Attorney, Agent, or Firm—John J. King

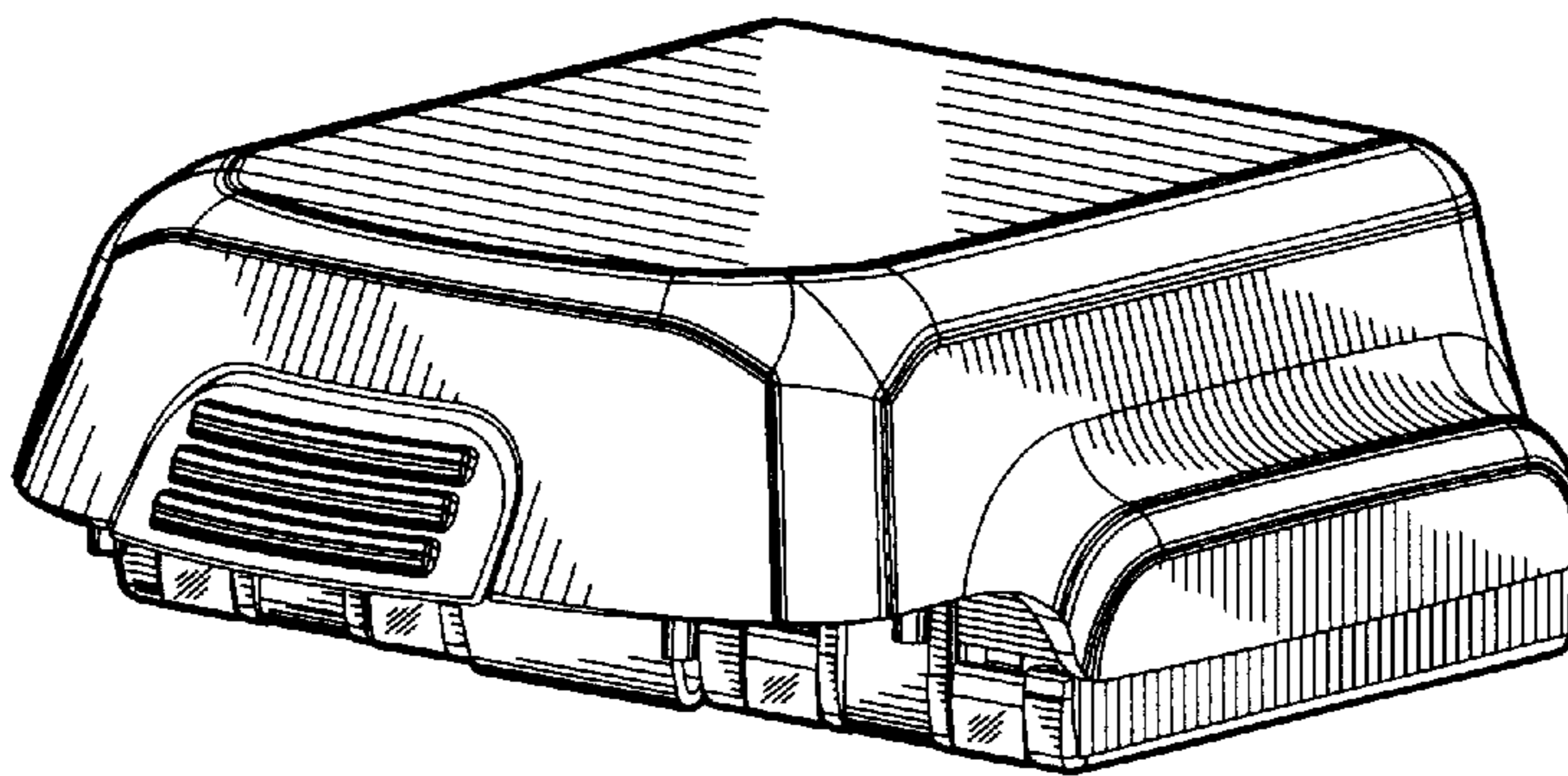
[57] **CLAIM**

We claim the ornamental design for the battery housing, as shown and described.

DESCRIPTION

FIG. 1 is a front, right, top perspective view of one embodiment the battery housing;
 FIG. 2 is a rear, left, top perspective view of the battery housing shown in FIG. 1;
 FIG. 3 is a front elevational view of the battery housing shown in FIG. 1;
 FIG. 4 is a bottom plan view of the battery housing shown in FIG. 1;
 FIG. 5 is a right side elevational view of the battery housing shown in FIG. 1;
 FIG. 6 is a front, right, top perspective view of one embodiment the battery housing;
 FIG. 7 is a front, right, top perspective view of the battery housing shown in FIG. 6;
 FIG. 8 is a front elevational view of the battery housing shown in FIG. 6;
 FIG. 9 is a bottom plan view of the battery housing shown in FIG. 6; and,
 FIG. 10 is a right side elevational view of the battery housing shown in FIG. 6.
 The broken line showing in FIGS. 1, 3, 4, and 5 is included for the purpose of illustrating environmental structure only and forms no part of the battery housing design embodied in FIGS. 1-5.

1 Claim, 4 Drawing Sheets



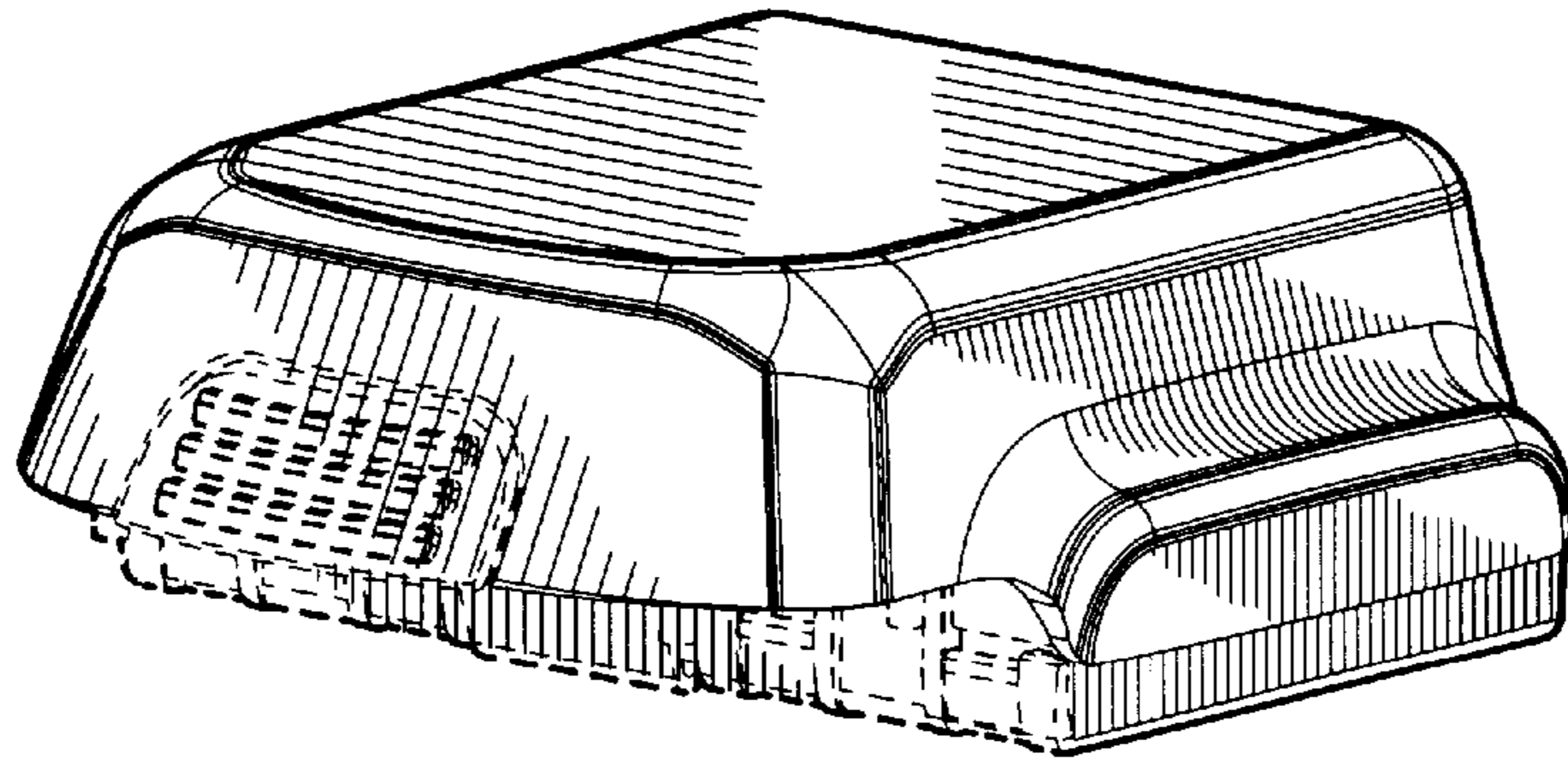


FIG. 1

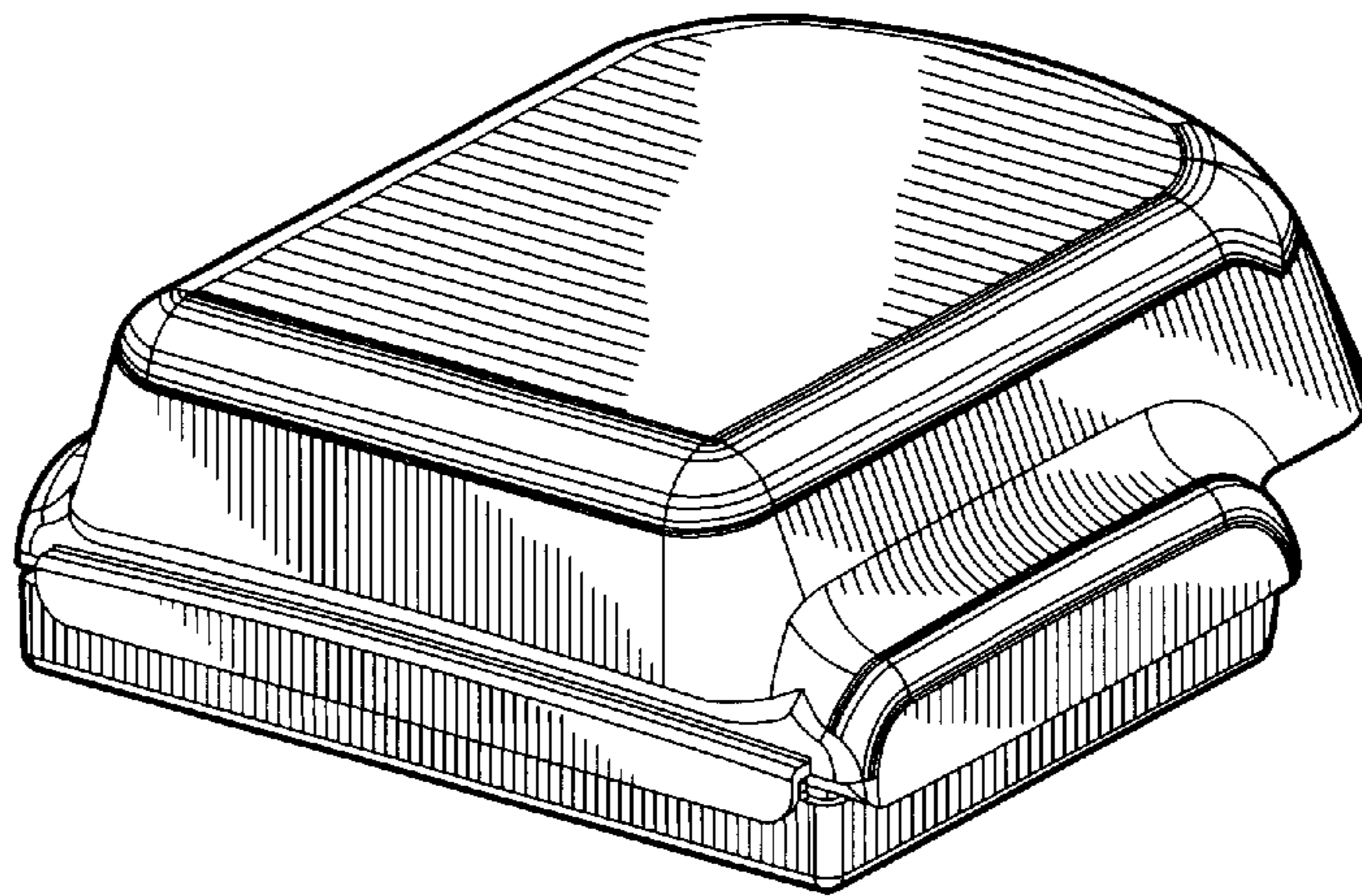


FIG. 2

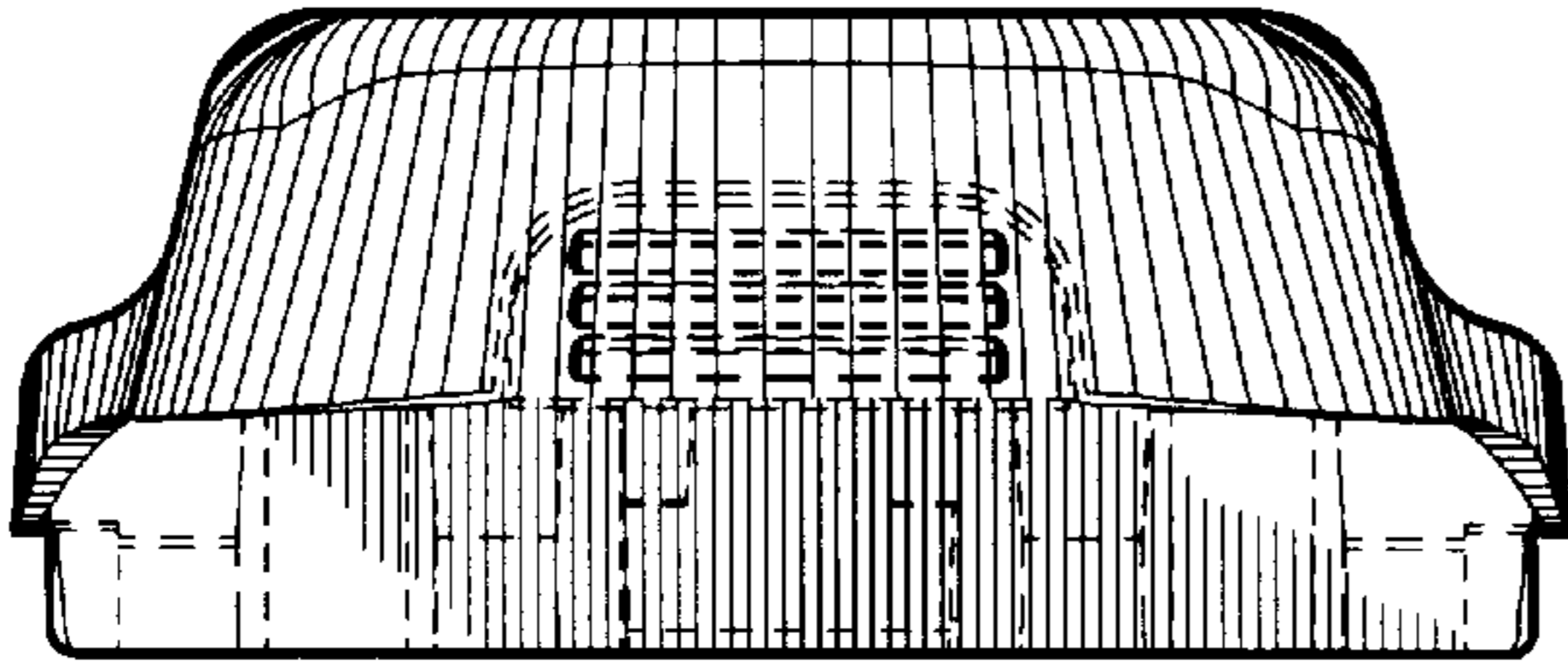


FIG. 3

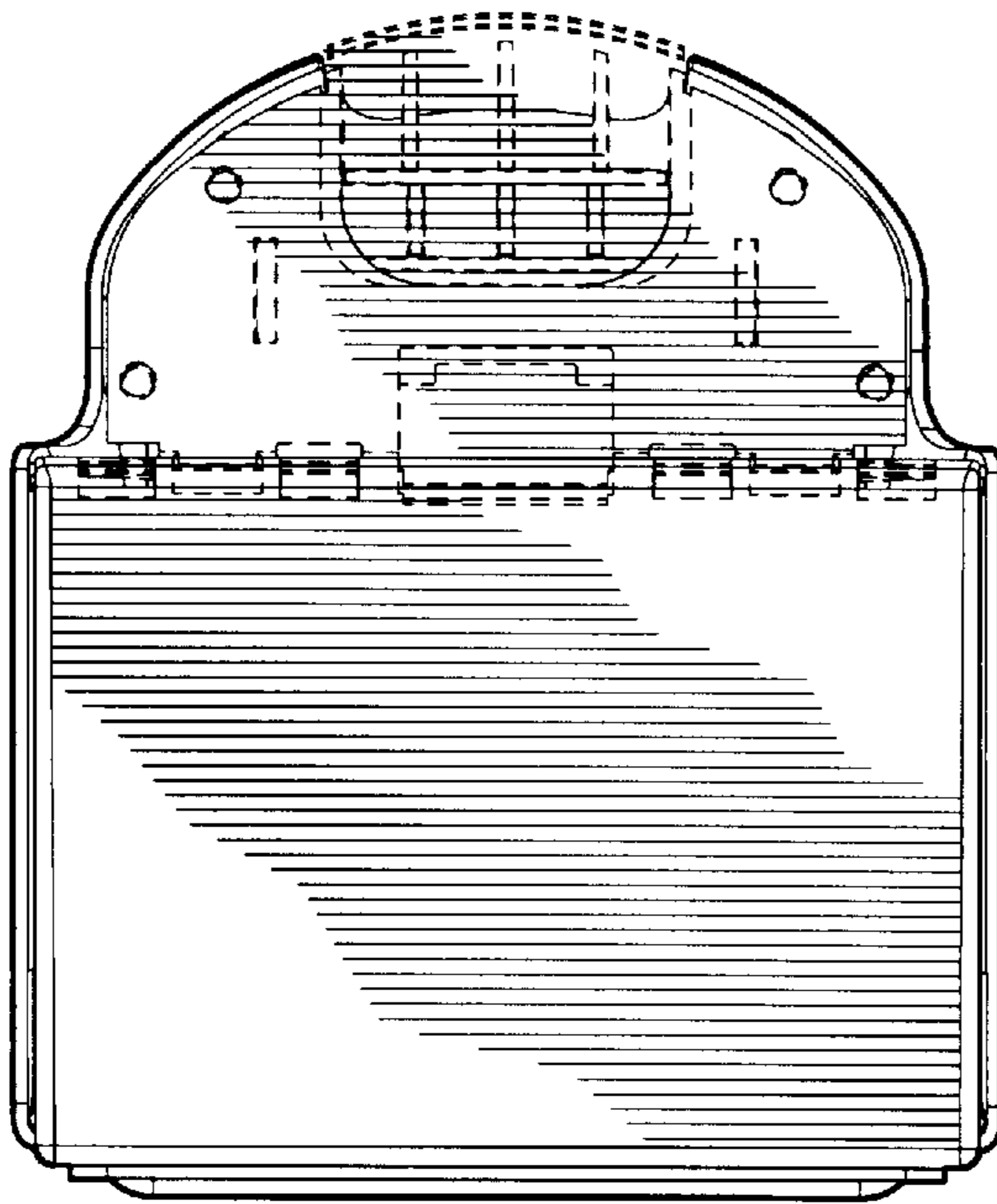


FIG. 4

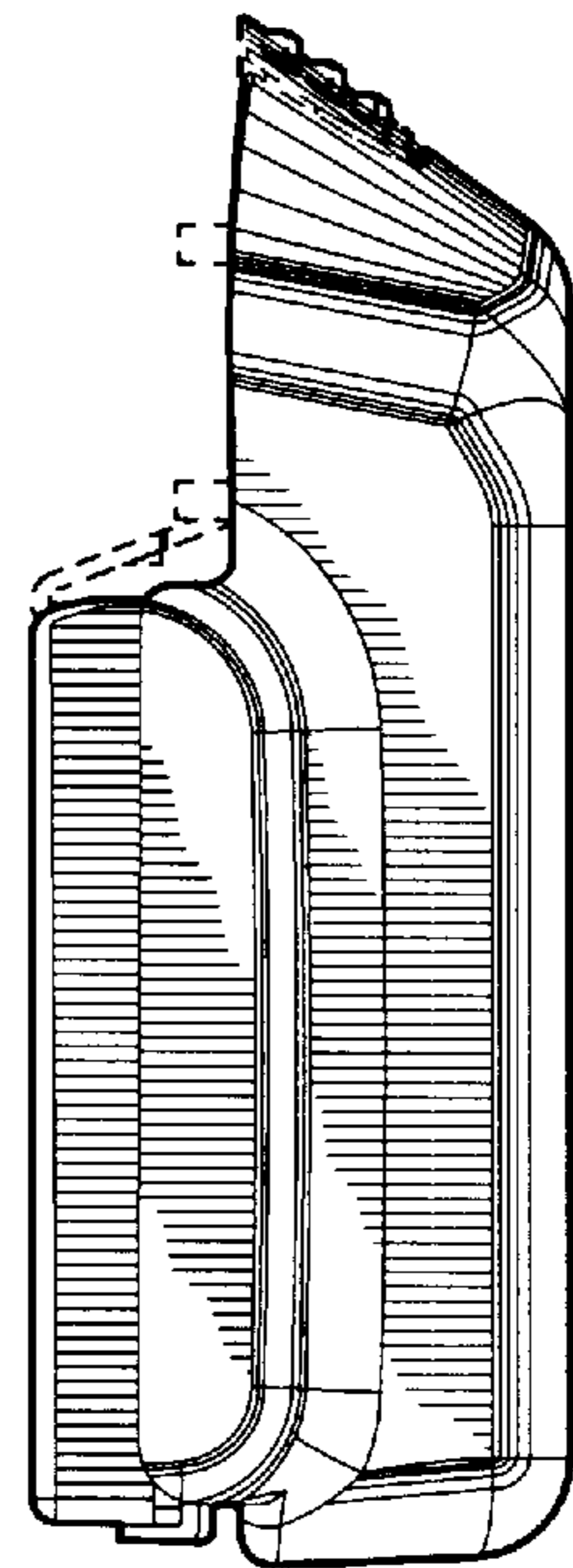


FIG. 5

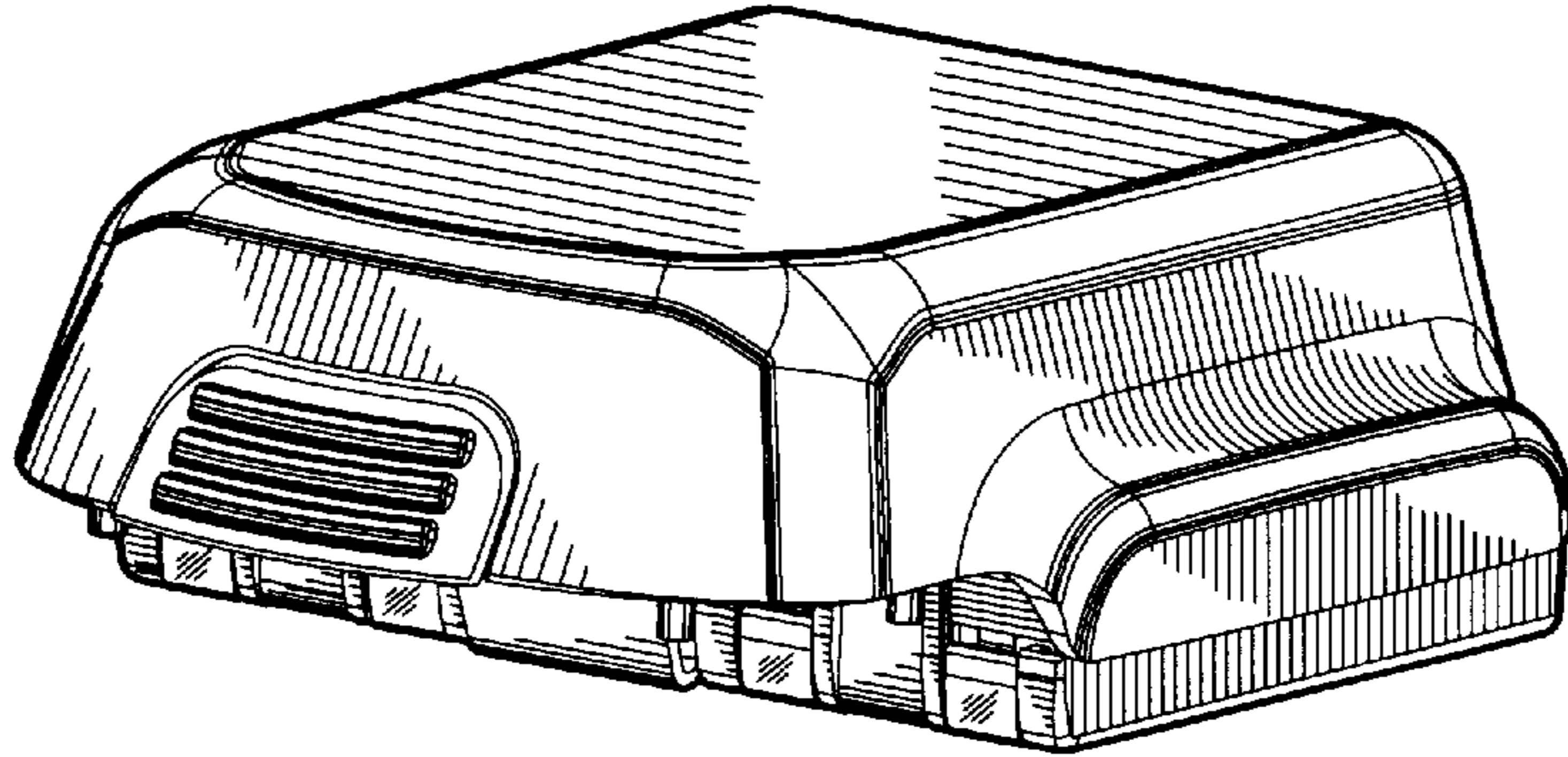


FIG. 6

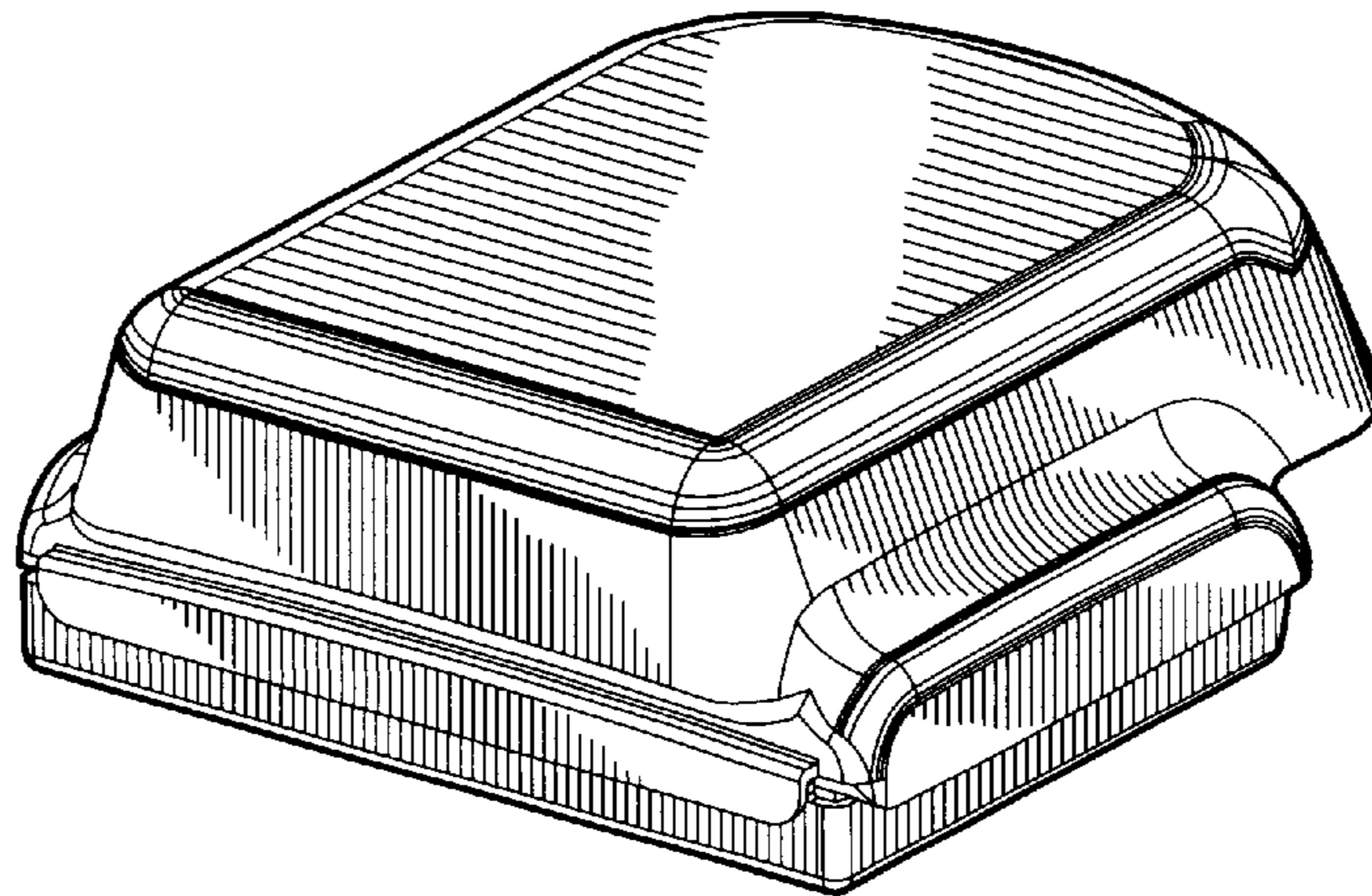


FIG. 7

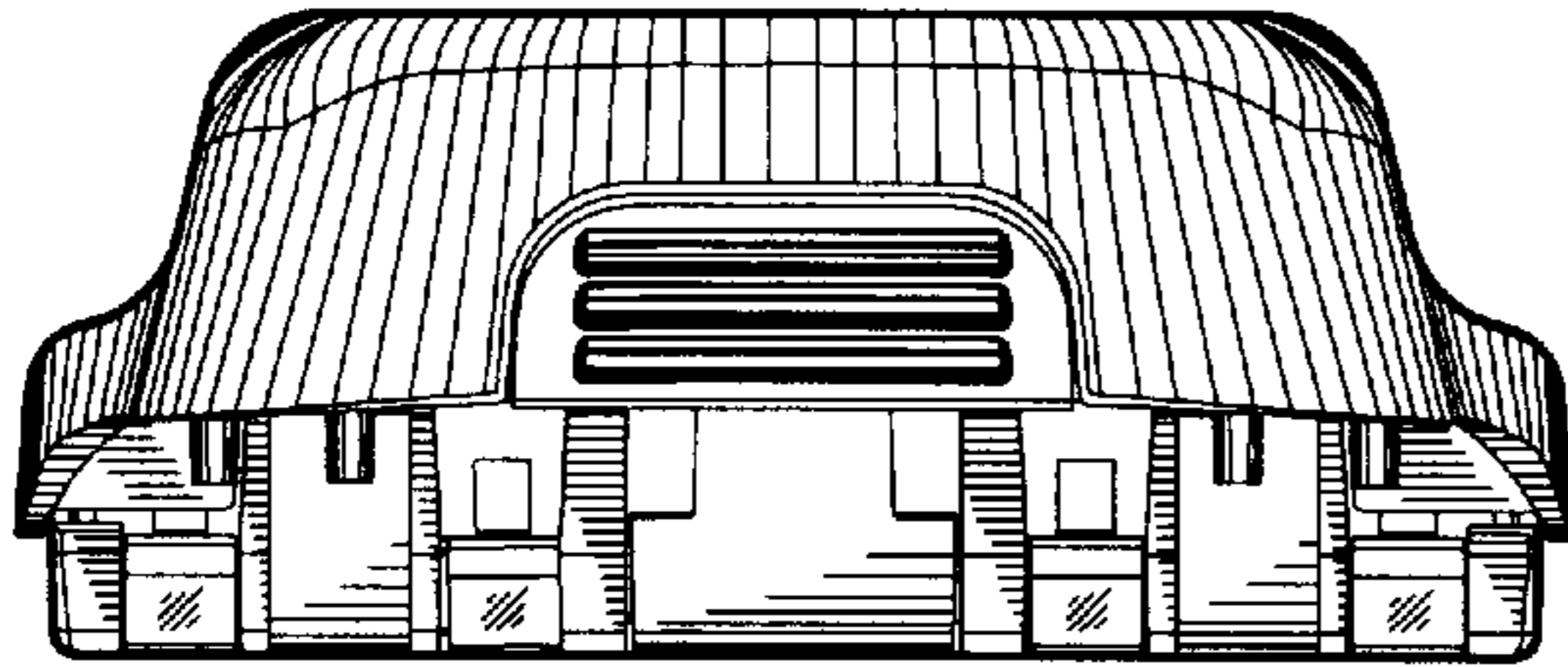


FIG. 8

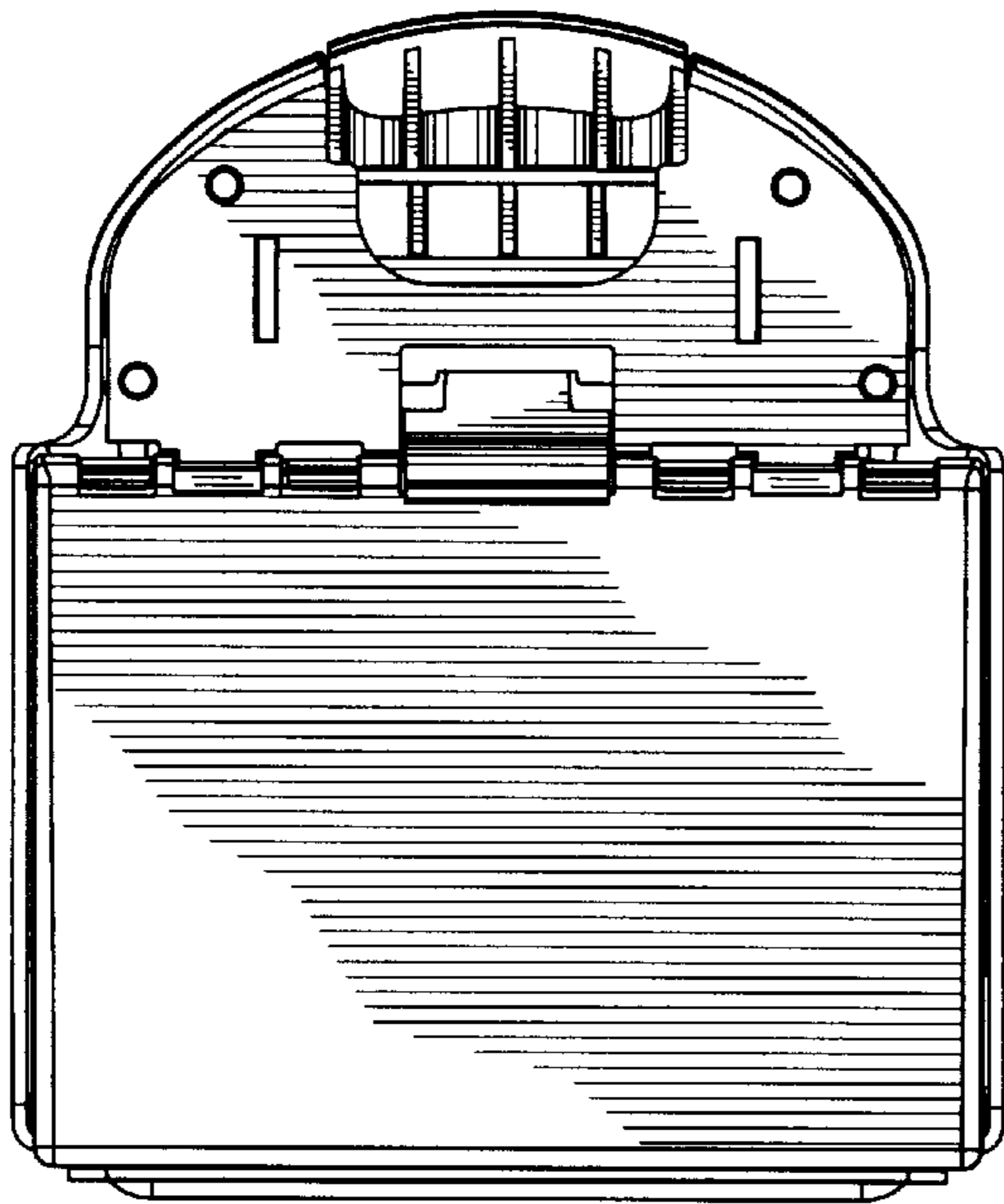


FIG. 9

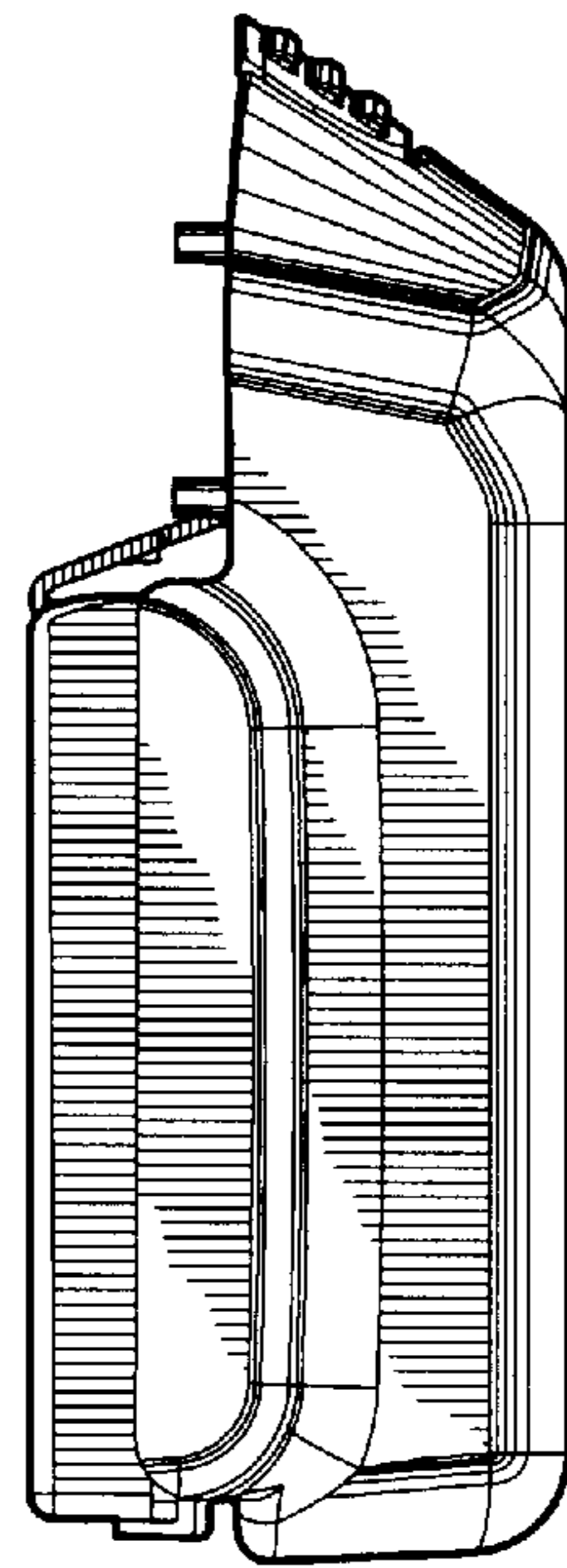


FIG. 10