



US00D400160S

United States Patent [19]
Nagano

[11] **Patent Number: Des. 400,160**

[45] **Date of Patent: **Oct. 27, 1998**

[54] **BATTERY CASE**

[75] Inventor: **Toshiyuki Nagano**, Takarazuka, Japan

[73] Assignee: **Cateye Co., Ltd.**, Japan

[**] Term: **14 Years**

[21] Appl. No.: **58,054**

[22] Filed: **Aug. 7, 1996**

[51] **LOC (6) Cl.** **13-02**

[52] **U.S. Cl.** **D13/103**

[58] **Field of Search** D13/103, 118;
429/96-100, 163, 176

[56] **References Cited**

U.S. PATENT DOCUMENTS

D. 231,990	7/1974	Peasley	D13/119
1,676,945	7/1928	Ellis	429/96 X
4,644,244	2/1987	Kittelson	429/96 X

Primary Examiner—Joel Sincavage

Attorney, Agent, or Firm—Olson & Hierl, Ltd.

[57] **CLAIM**

The ornamental design for a battery case, as shown and described.

DESCRIPTION

FIG. 1 is a front view of a battery case showing my new design;
 FIG. 2 is a rear view thereof;
 FIG. 3 is a top plan view thereof;
 FIG. 4 is a bottom plan view thereof;
 FIG. 5 is a left side view thereof;
 FIG. 6 is a right side view thereof;
 FIG. 7 is a front perspective view thereof;
 FIG. 8 is a referential perspective view thereof showing the state in which hook members are unlocked;
 FIG. 9 is a cross sectional view thereof taken along with line A—A in FIG. 1; and,
 FIG. 10 is a cross sectional view thereof taken along with line B—B in FIG. 3.

1 Claim, 4 Drawing Sheets

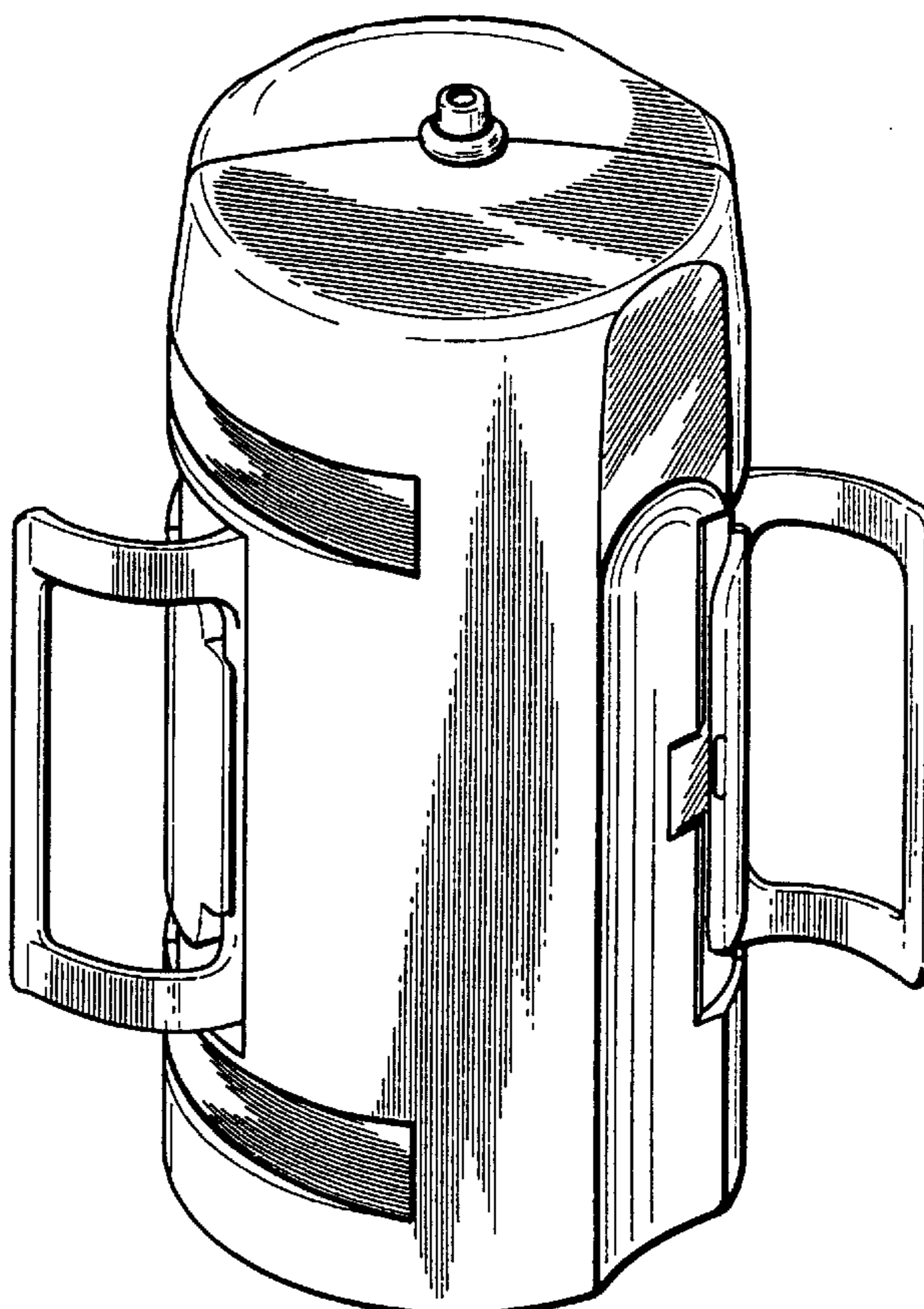
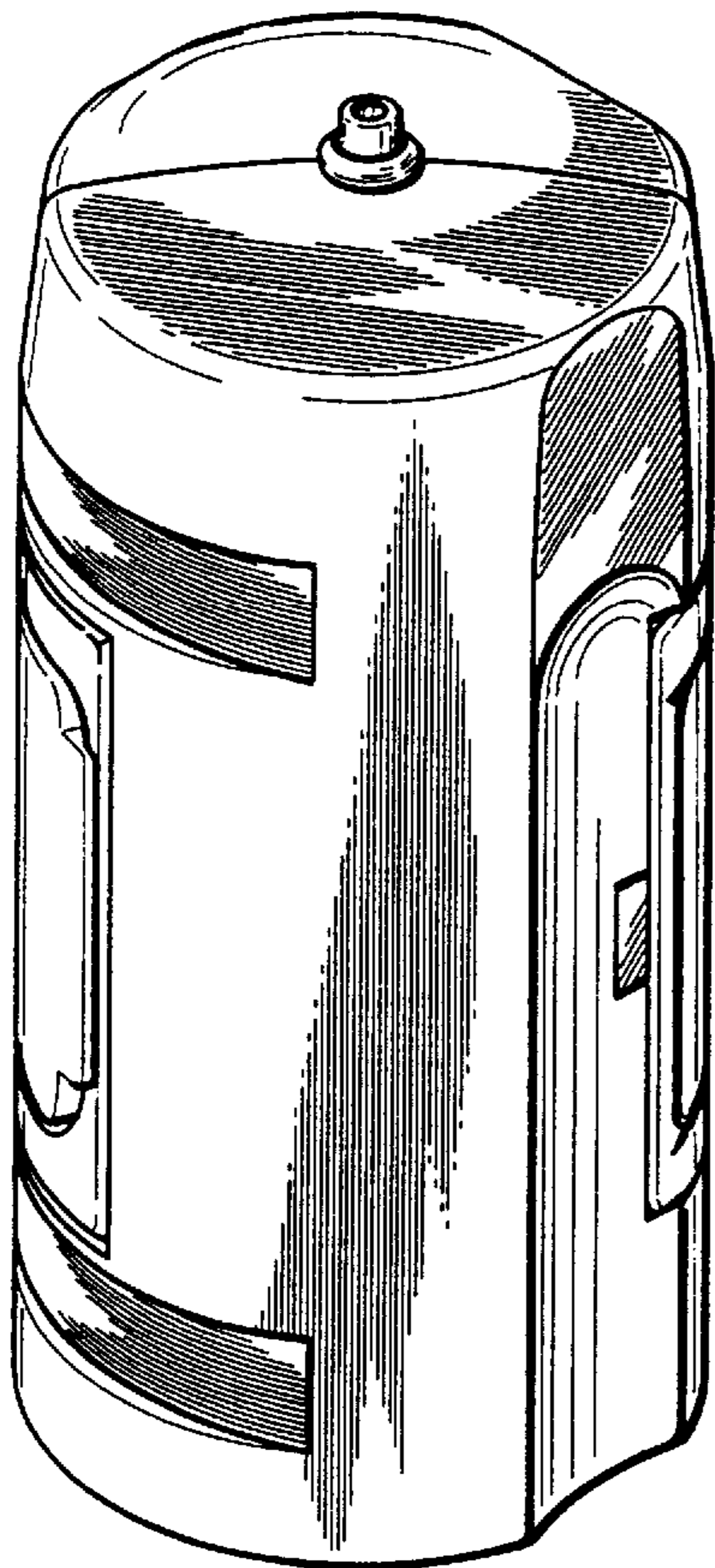


FIG.1

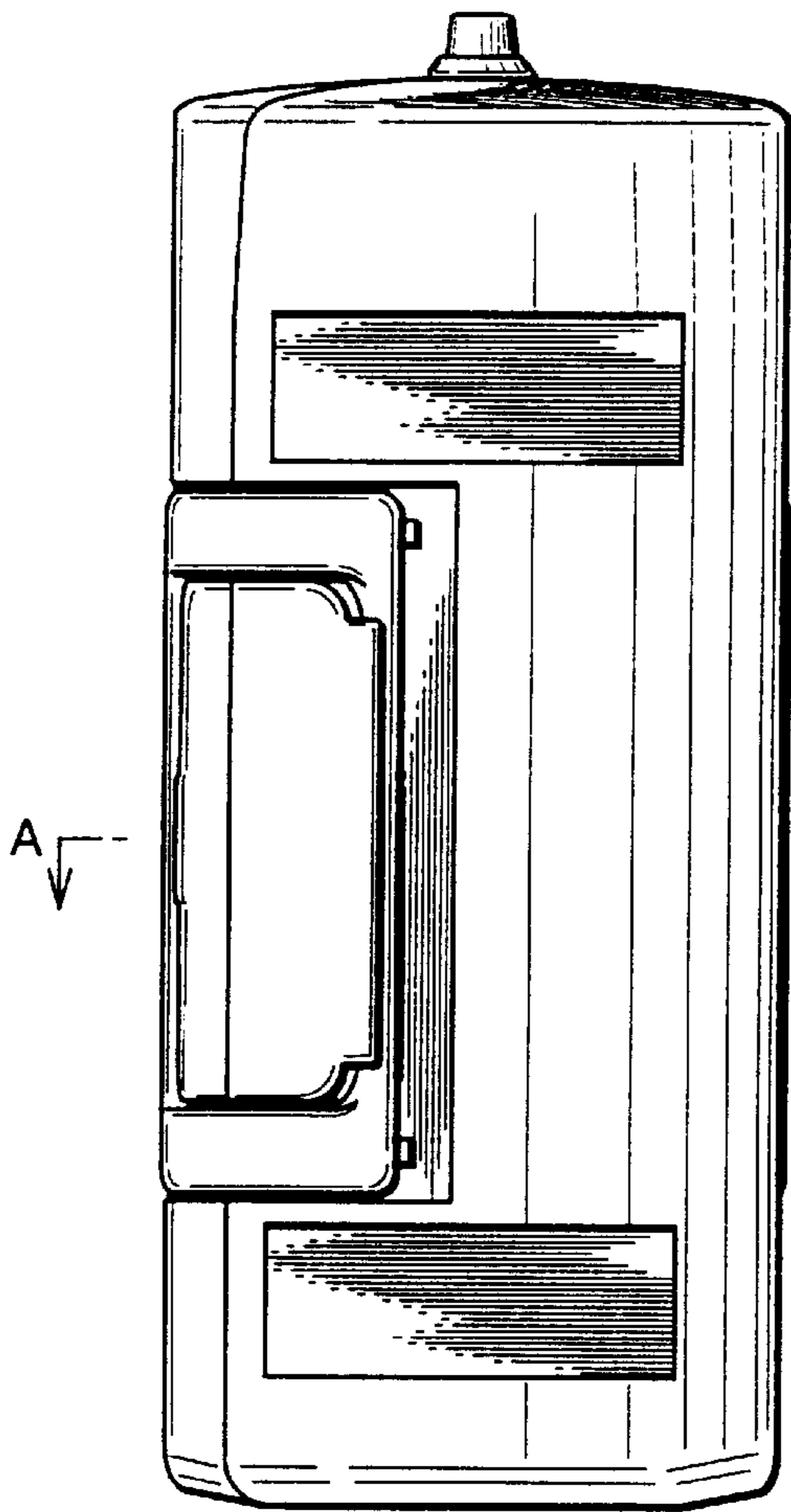


FIG.2

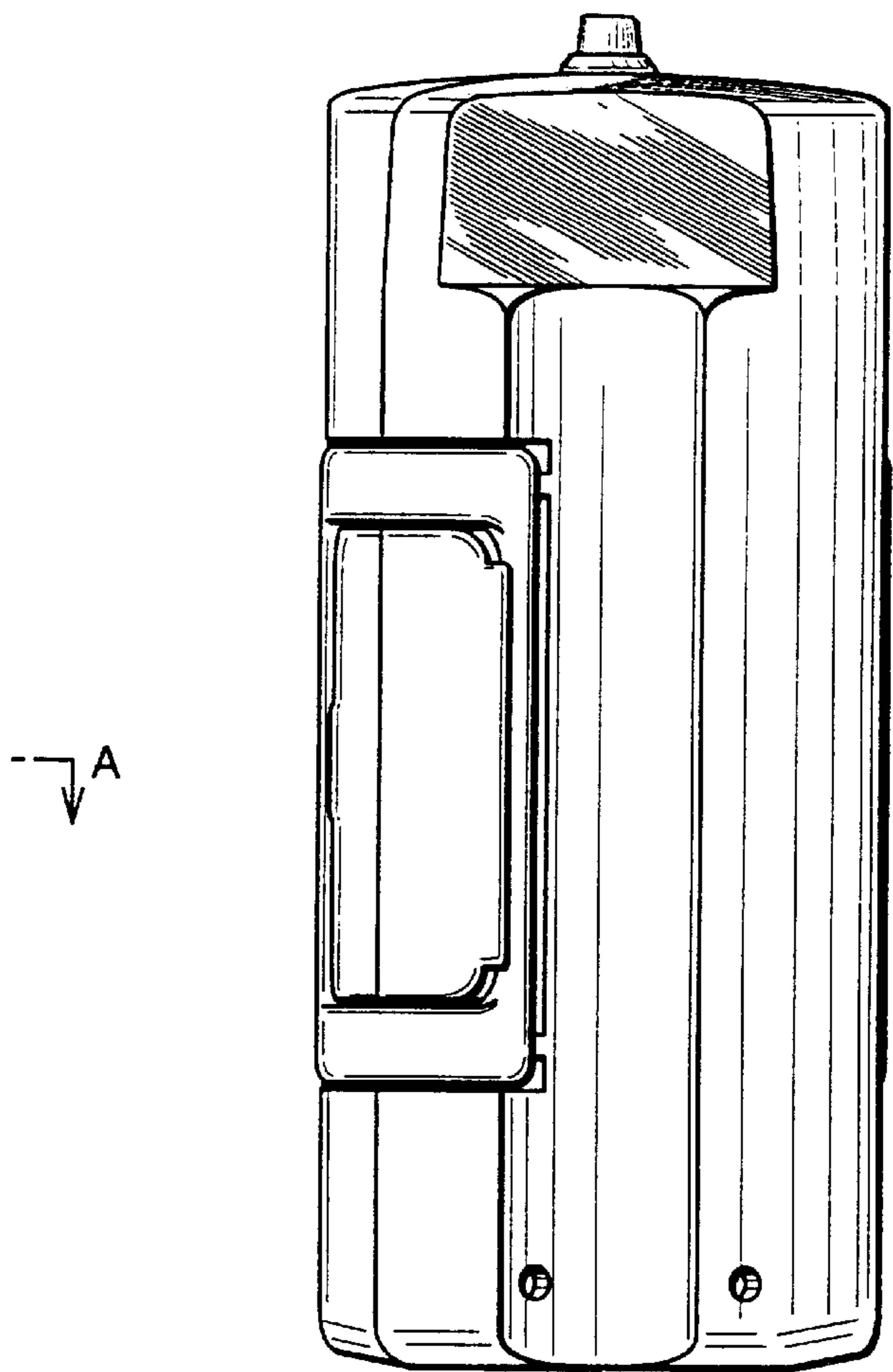


FIG.3

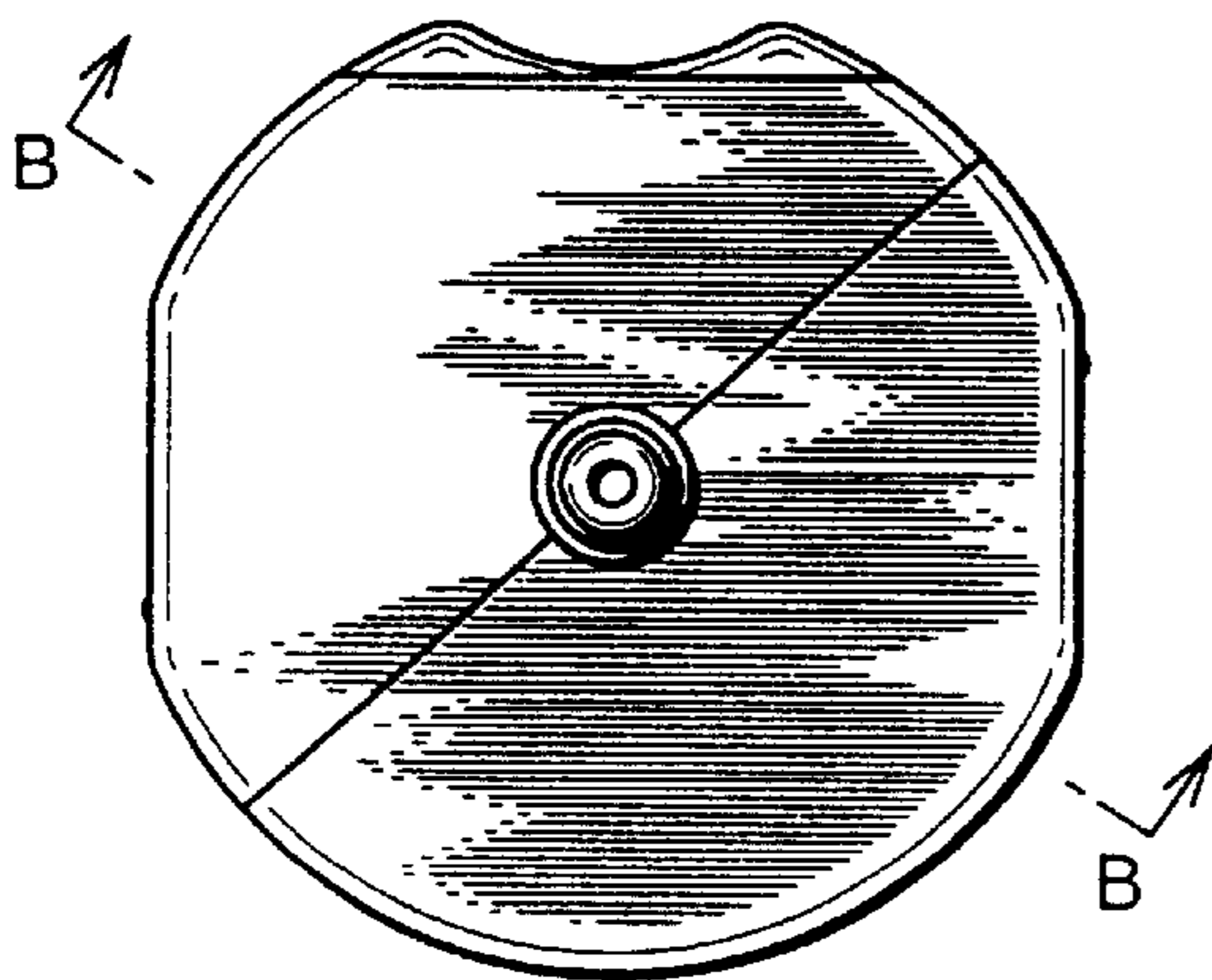


FIG.4

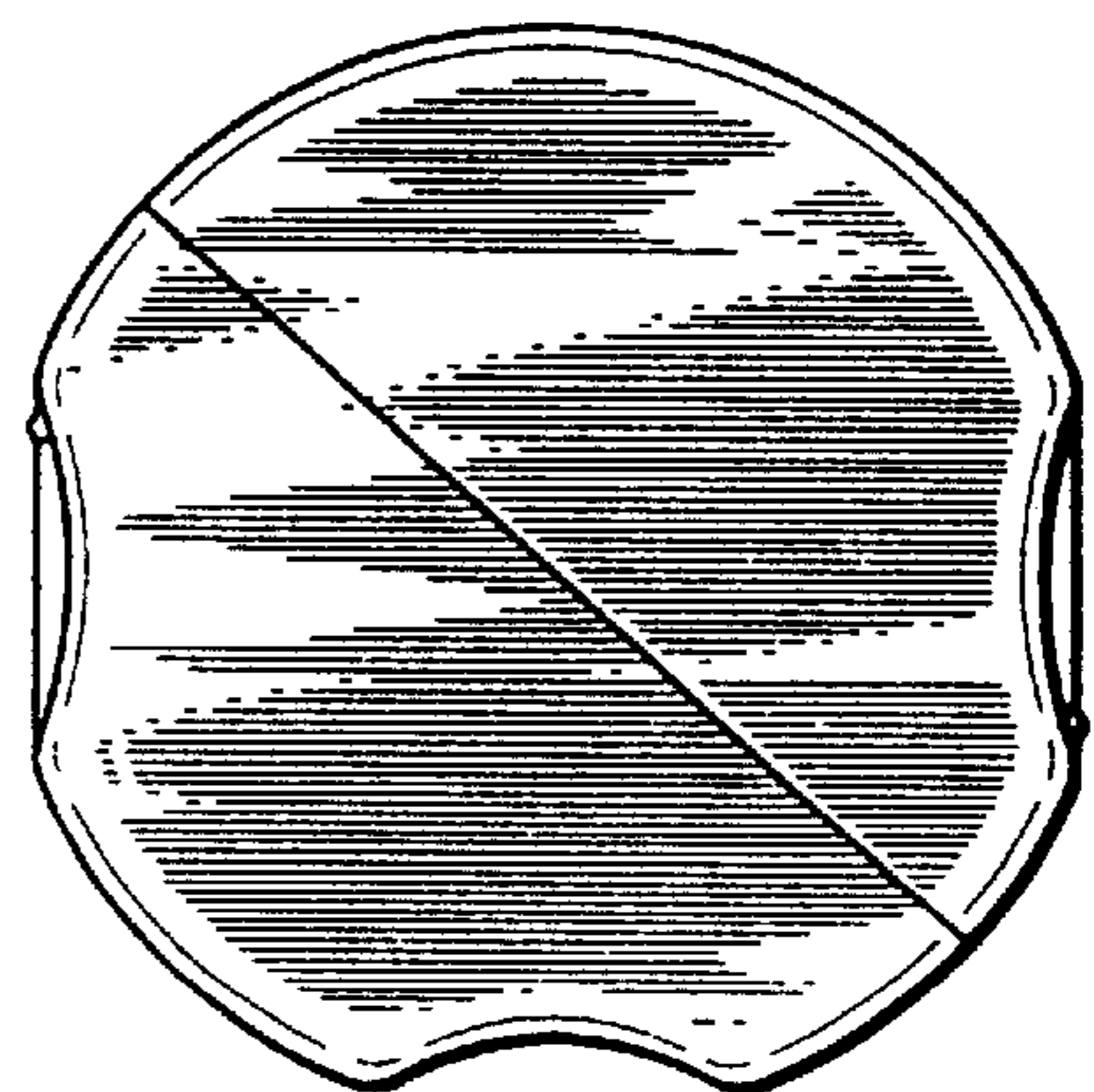


FIG.5

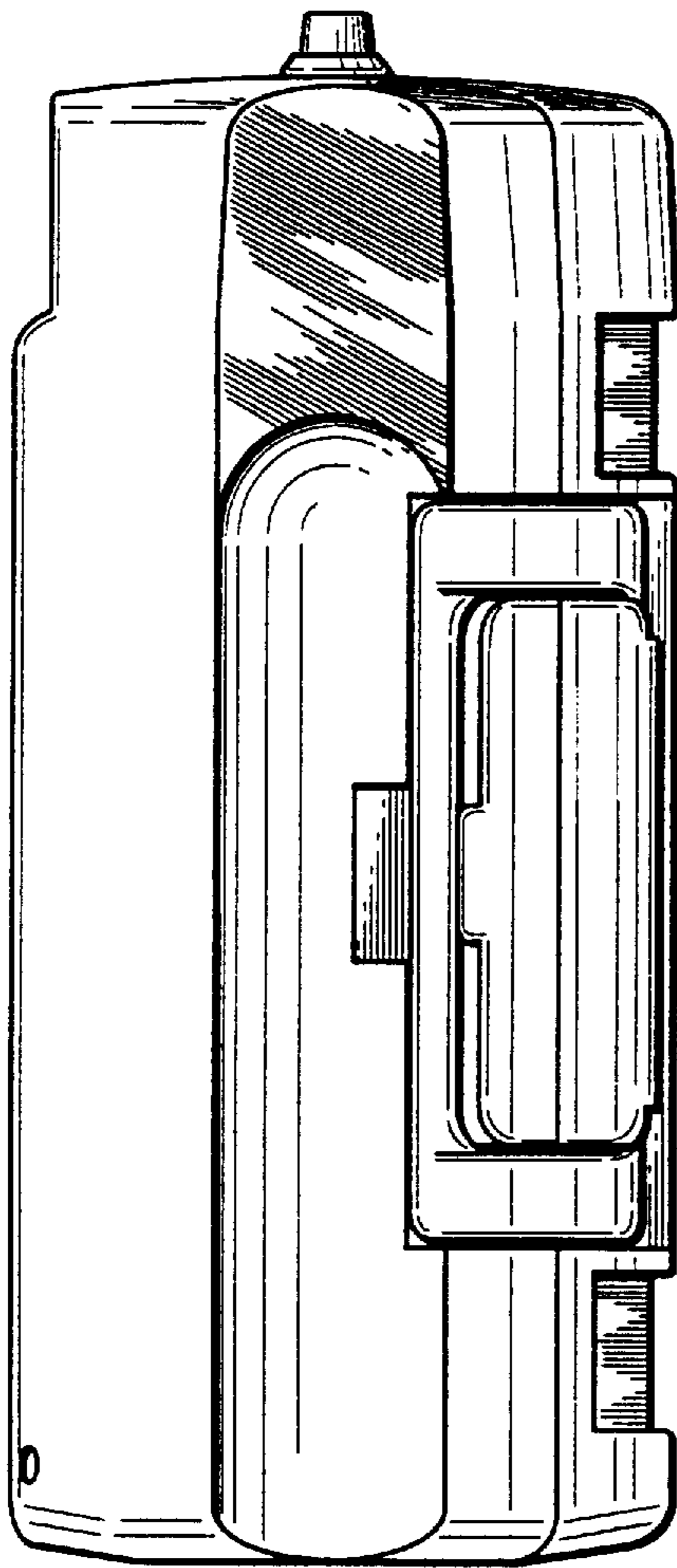


FIG.6

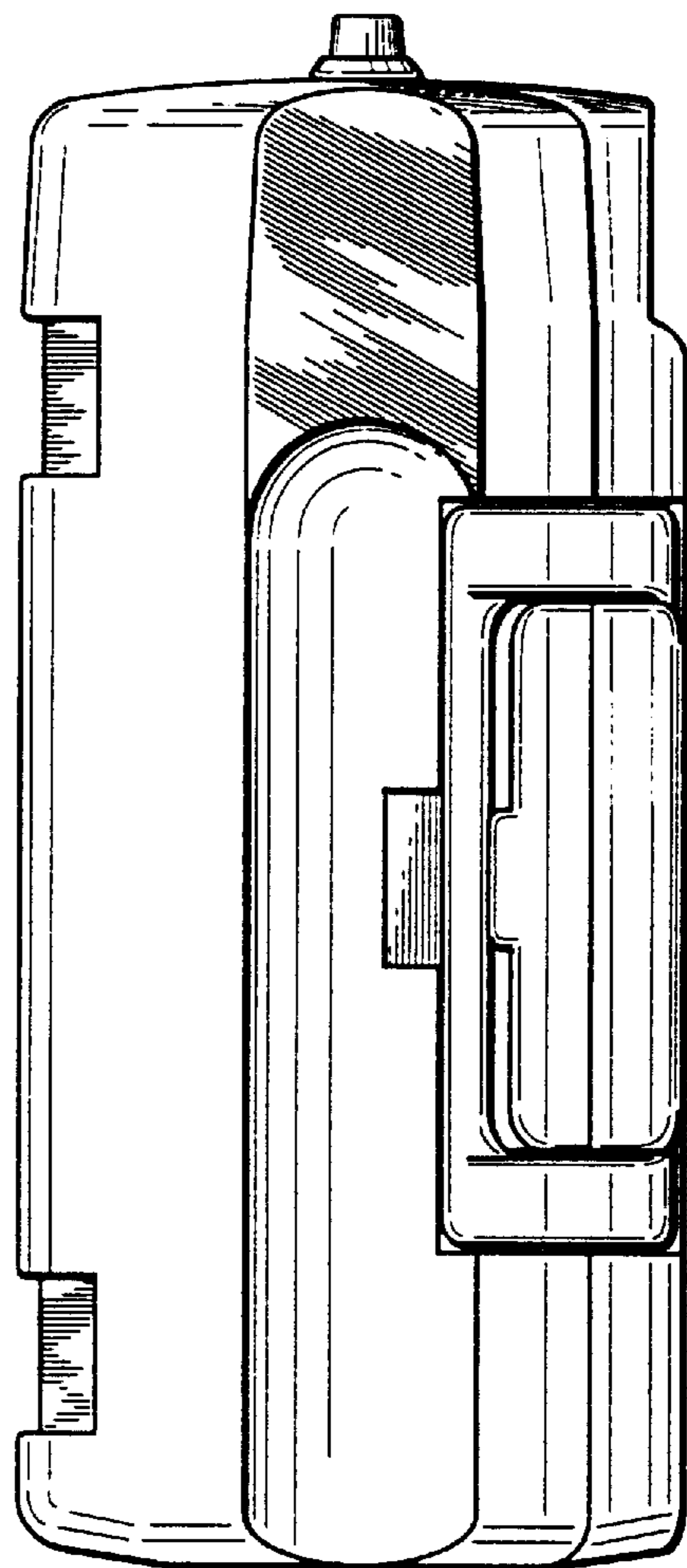


FIG.7

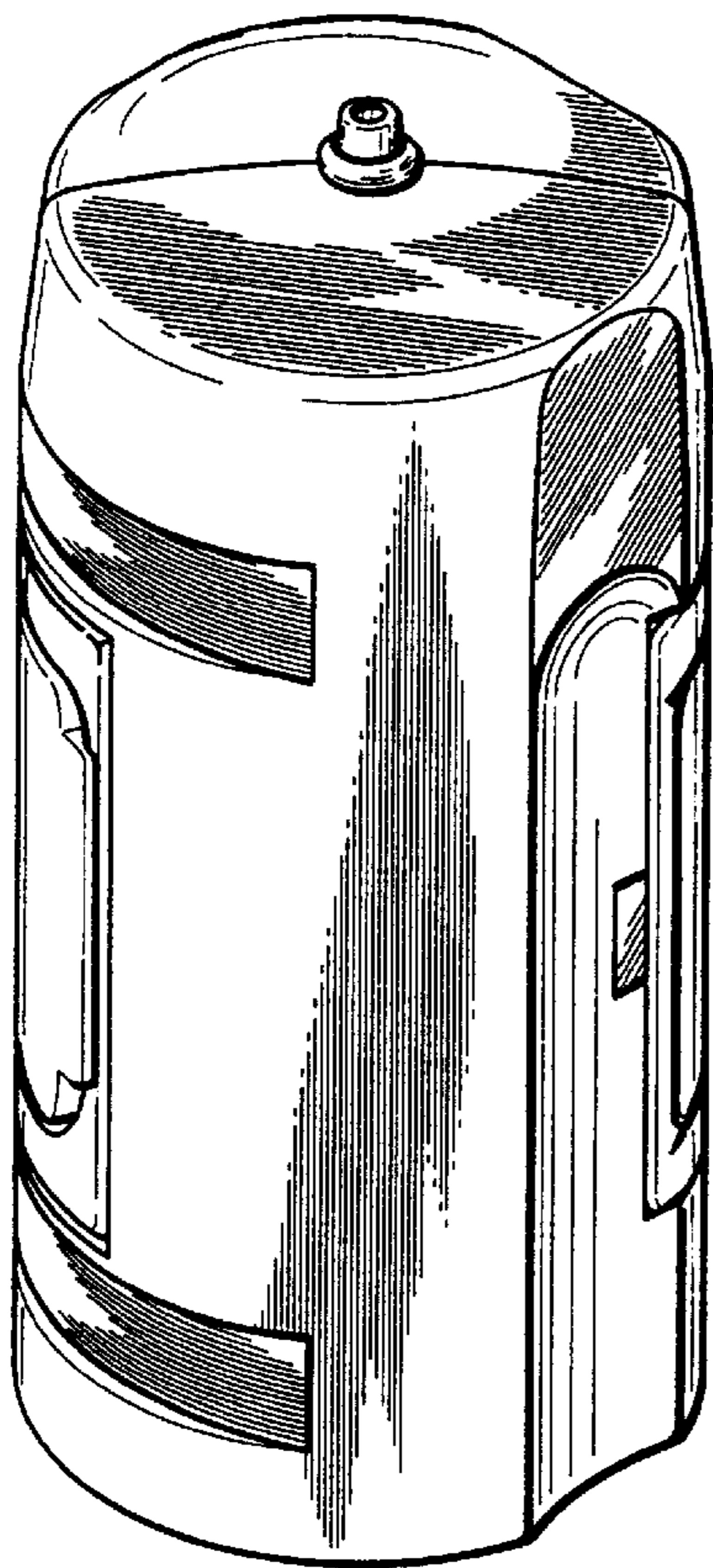


FIG.8

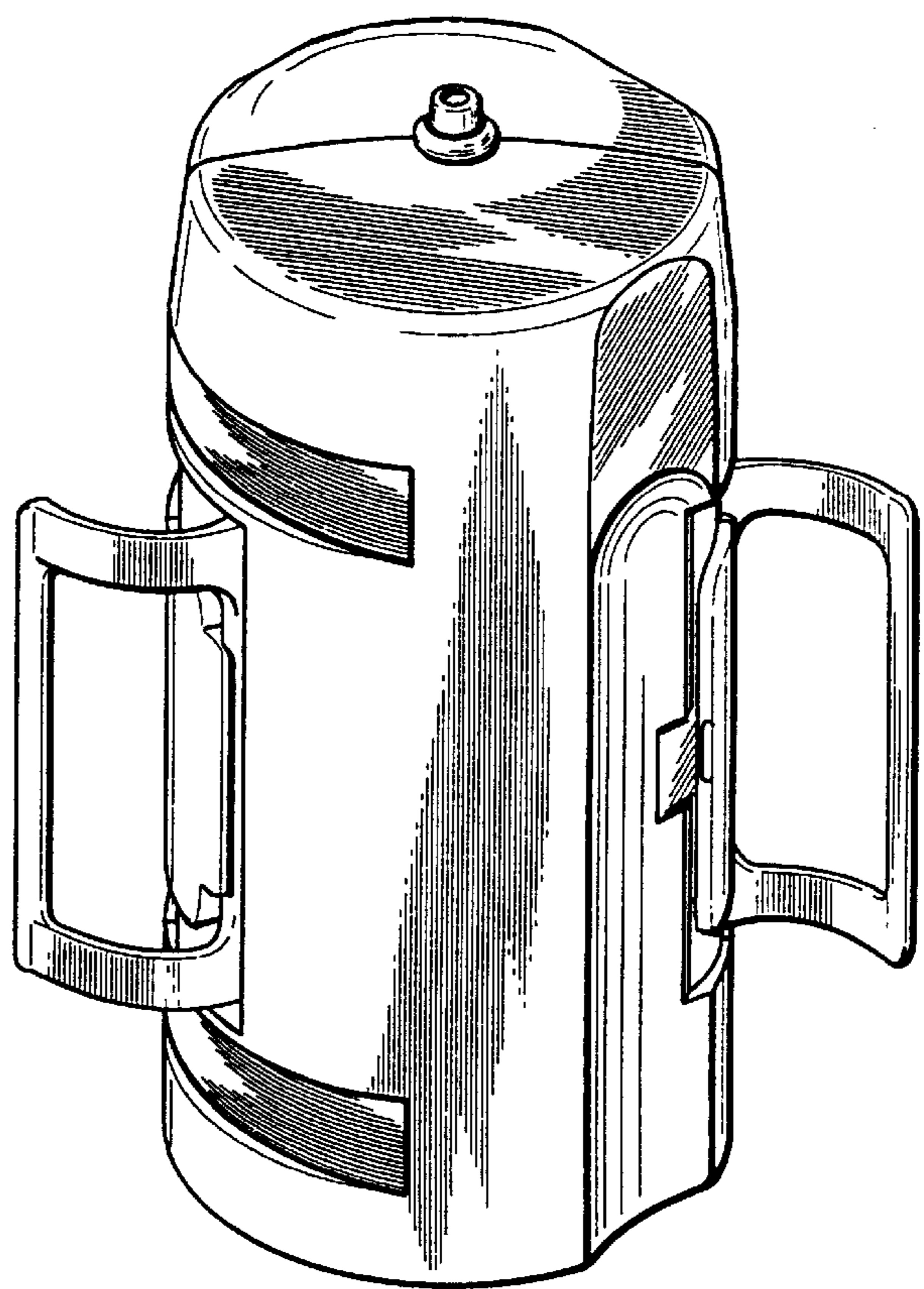


FIG.9

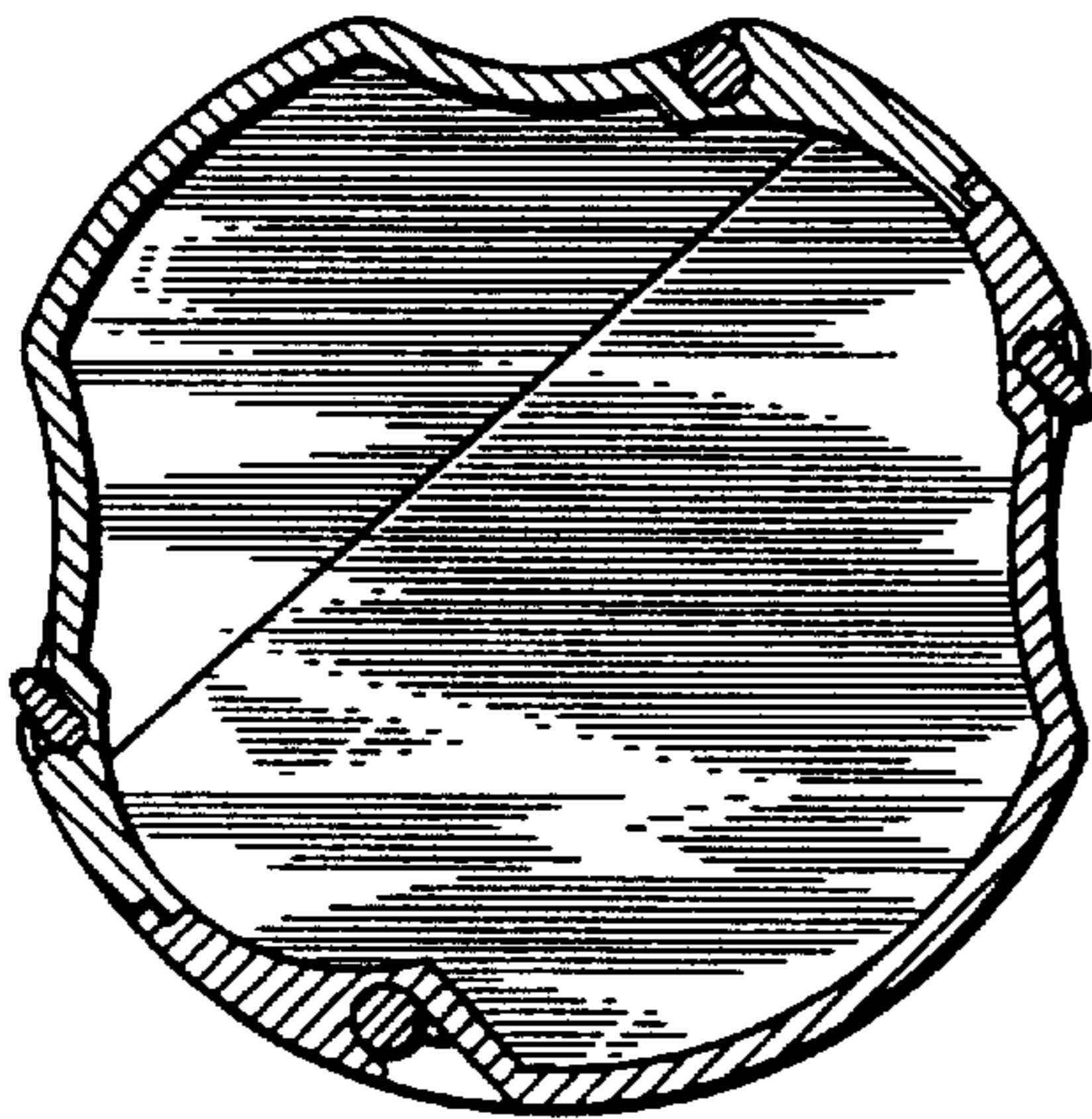
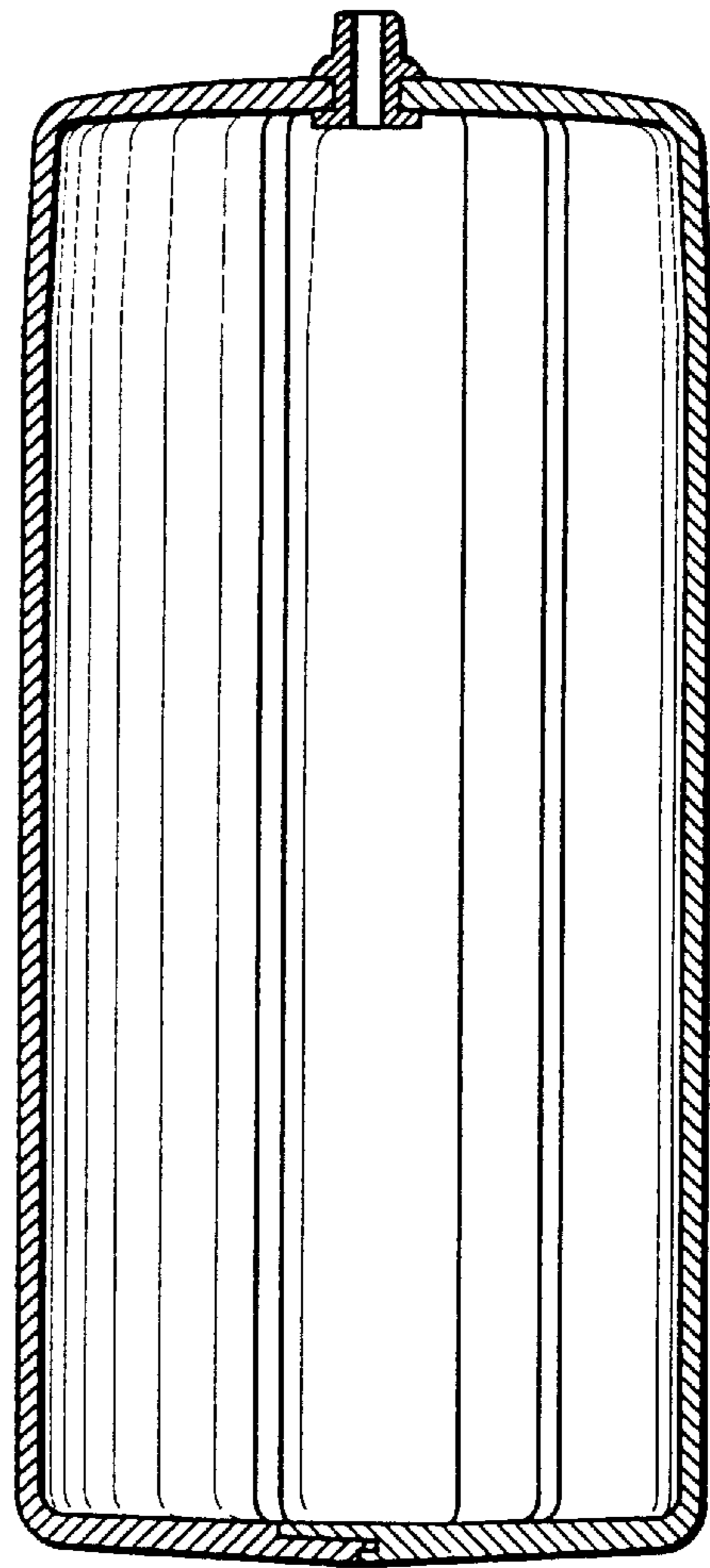


FIG.10



UNITED STATES PATENT AND TRADEMARK OFFICE
CERTIFICATE OF CORRECTION

PATENT NO. : Des. 400,160
DATED : October 27, 1998
INVENTOR(S) : Toshiyuki Nagano

Page 1 of 1

It is certified that error appears in the above-identified patent and that said Letters Patent is hereby corrected as shown below:

Title page.

Item [30], under **Foreign Application Priority Data**, insert

-- July 25, 1996 [JP] Japan..... 8-22599 --

Signed and Sealed this

Fourteenth Day of May, 2002

Attest:



Attesting Officer

JAMES E. ROGAN
Director of the United States Patent and Trademark Office