



US00D400159S

# United States Patent [19]

Niemi et al.

[11] Patent Number: **Des. 400,159**

[45] Date of Patent: **\*\*Oct. 27, 1998**

[54] **TRUCK CARGO BED UTILITY BOX**

[75] Inventors: **Karl A. Niemi**, Waunakee; **Patrick J. Quigley**, Portage, both of Wis.

[73] Assignee: **Penda Corporation**, Portage, Wis.

[\*\*] Term: **14 Years**

[21] Appl. No.: **69,775**

[22] Filed: **Apr. 23, 1997**

[51] **LOC (6) Cl.** ..... **12-16**

[52] **U.S. Cl.** ..... **D12/423**

[58] **Field of Search** ..... D12/423, 412,  
D12/424, 406; 296/24.1, 37.1, 37.6; 224/539-541,  
400, 403, 404; D3/905, 273, 294; D9/341;  
280/901

[56] **References Cited**

**U.S. PATENT DOCUMENTS**

D. 285,673	9/1986	Waters	.....	D12/423
D. 294,935	3/1988	Grossman	.....	D12/423
D. 298,308	11/1988	Vankirk	.....	D12/423
D. 300,019	2/1989	Dickinson	.....	D12/423

D. 305,502	1/1990	Waters	.....	D12/423 X
D. 317,865	7/1991	Waters	.....	D12/423 X
D. 317,868	7/1991	Fielder	.....	D12/423 X
D. 324,197	2/1992	Dickinson	.....	D12/423
D. 352,496	11/1994	Gower	.....	D12/423
D. 369,342	4/1996	Williams	.....	D12/423
D. 373,989	9/1996	Dickinson	.....	D12/423

*Primary Examiner*—James Gandy  
*Assistant Examiner*—Stacia Sinuik  
*Attorney, Agent, or Firm*—Lathrop & Clark

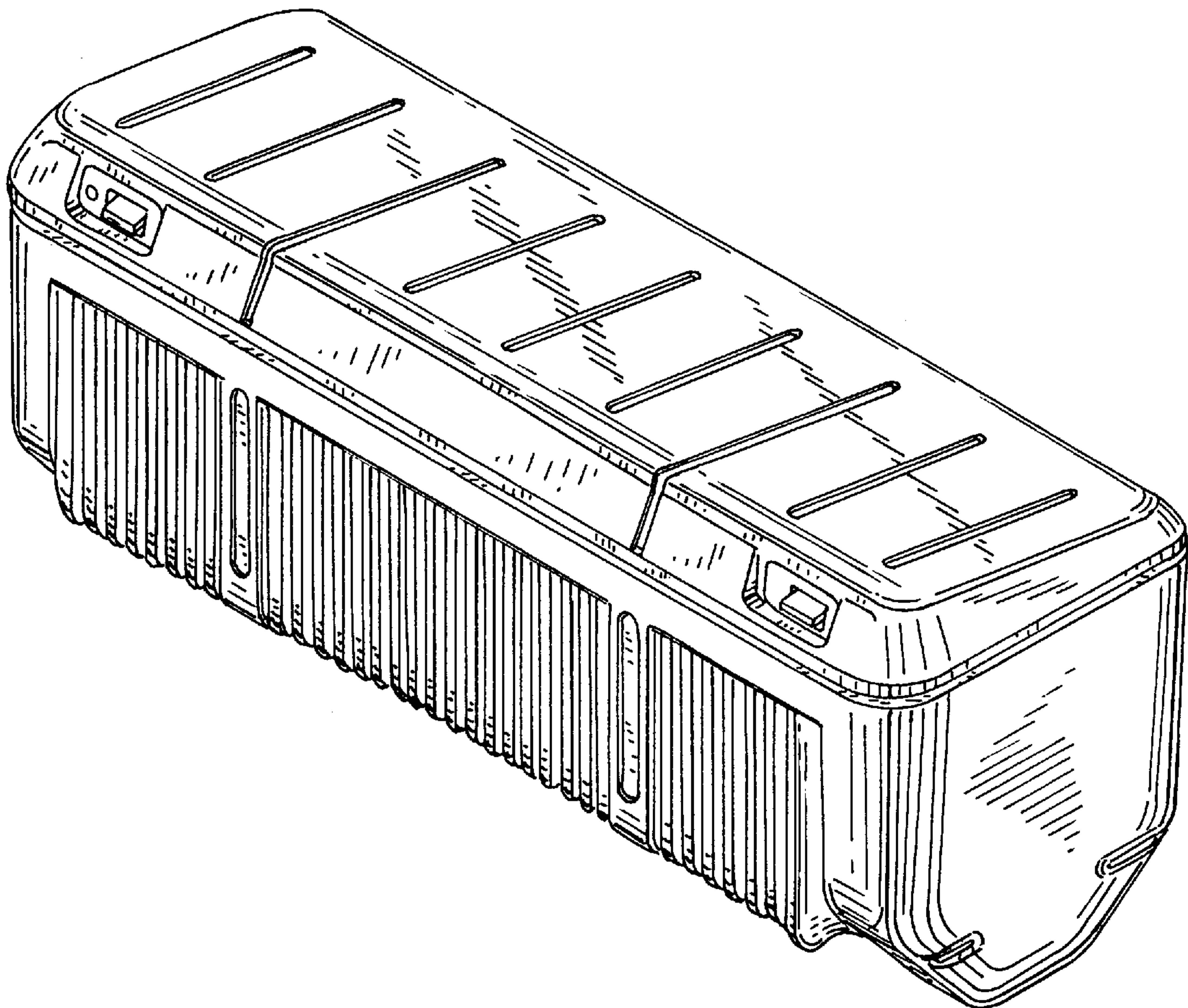
[57] **CLAIM**

The ornamental design for a truck cargo bed utility box, as shown and described.

**DESCRIPTION**

FIG. 1 is an isometric view of the truck cargo bed utility box design of this invention;  
FIG. 2 is an enlarged right side elevational view thereof, the side opposite being a mirror image thereof;  
FIG. 3 is an enlarged front elevational view thereof;  
FIG. 4 is an enlarged rear elevational view thereof;  
FIG. 5 is an enlarged top plan view thereof; and,  
FIG. 6 is an enlarged bottom plan view thereof.

**1 Claim, 5 Drawing Sheets**



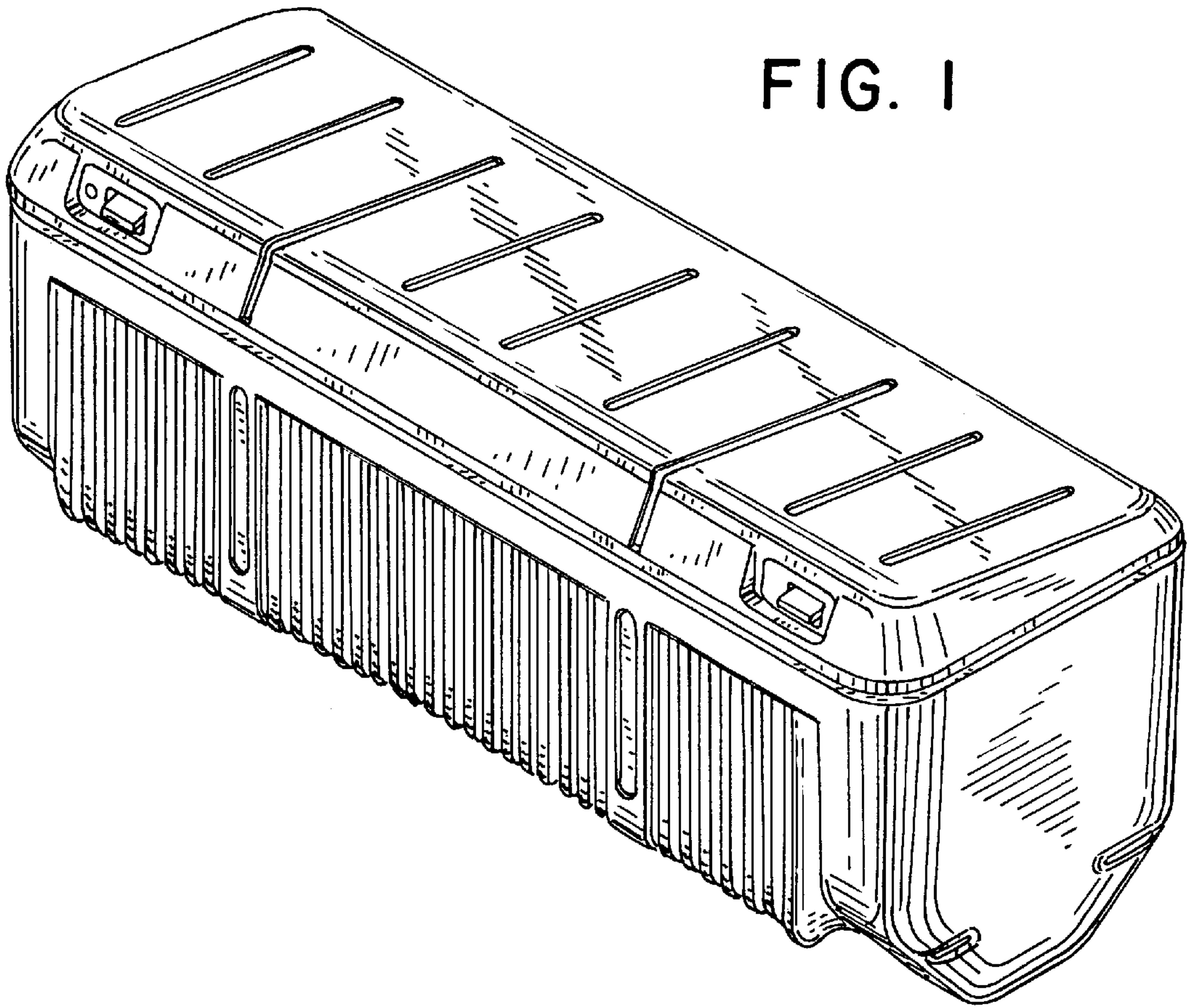


FIG. 1

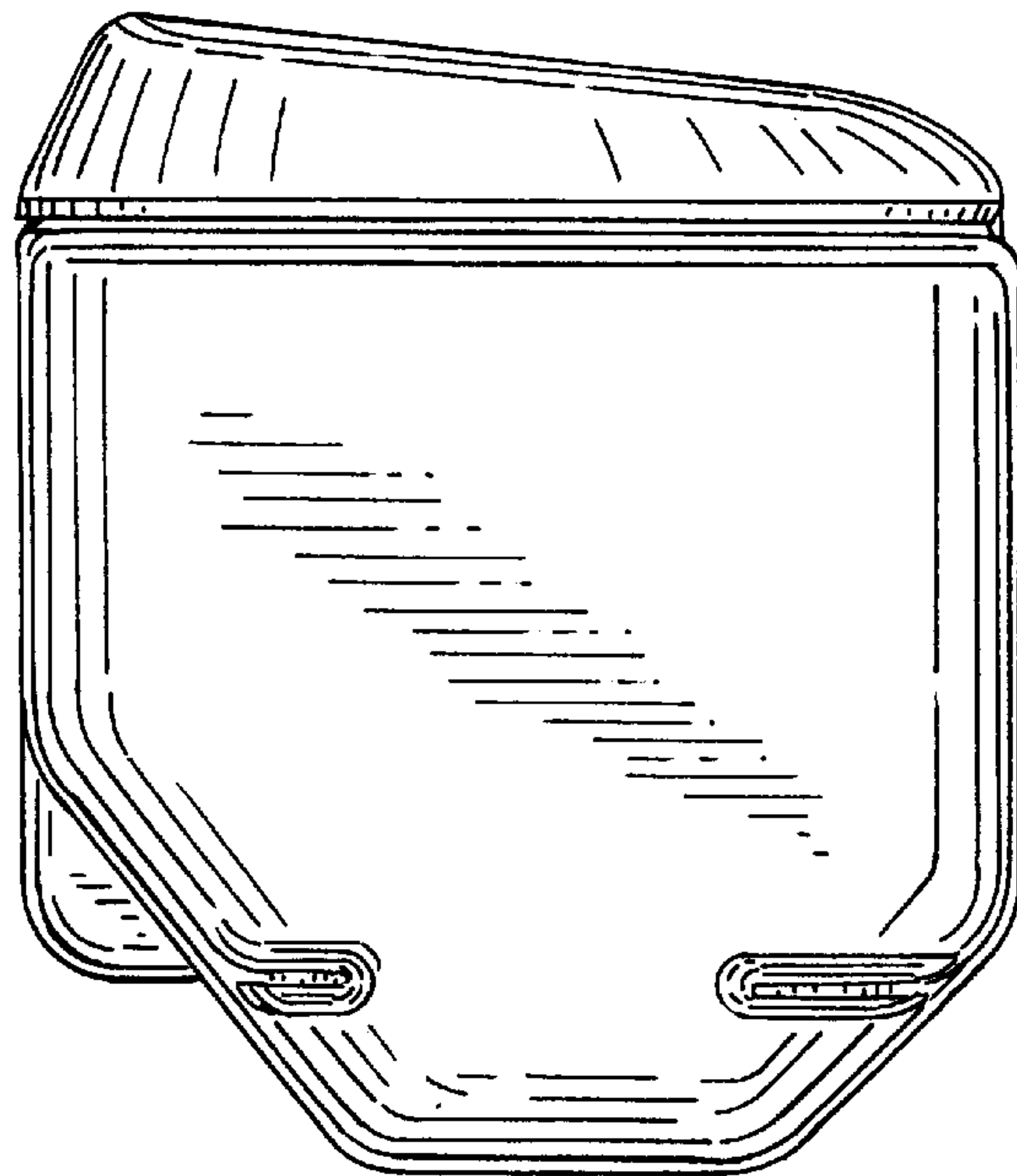


FIG. 2

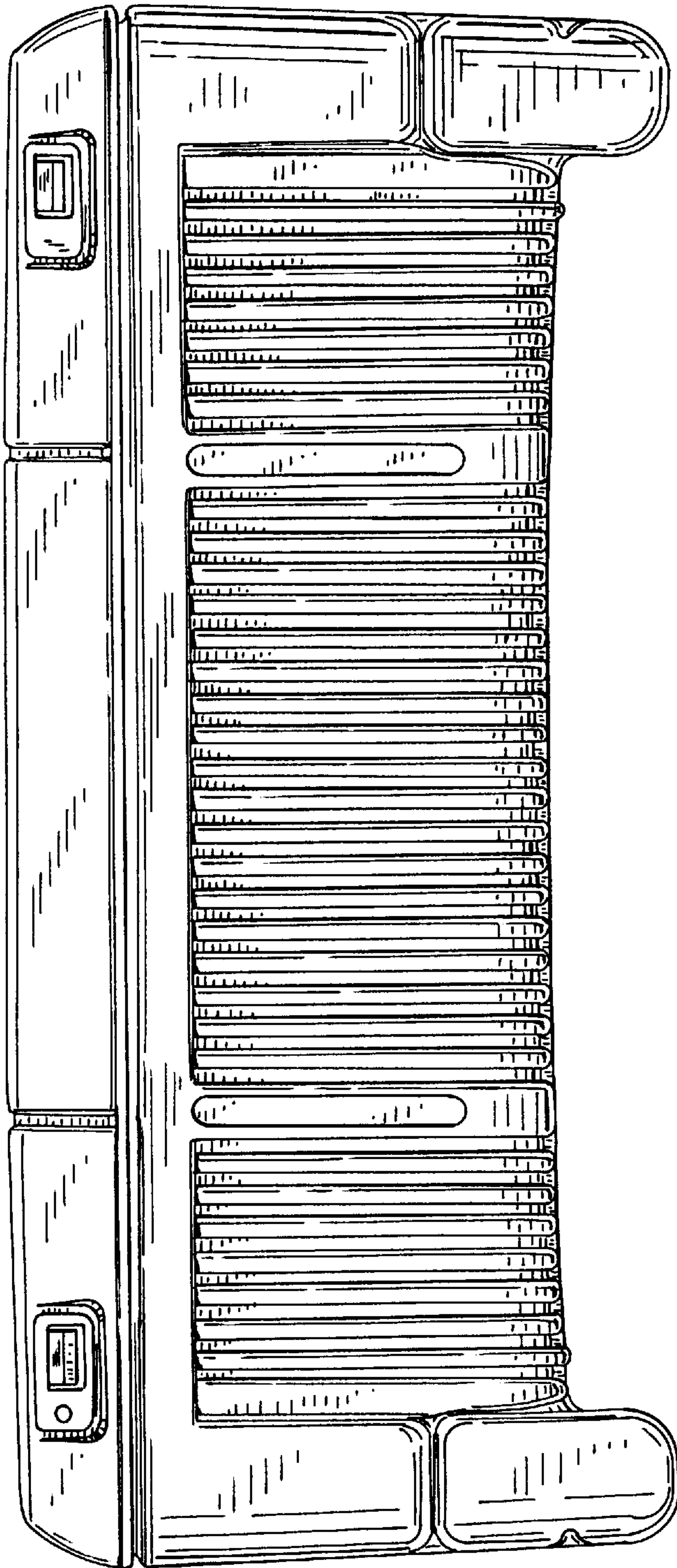


FIG. 3



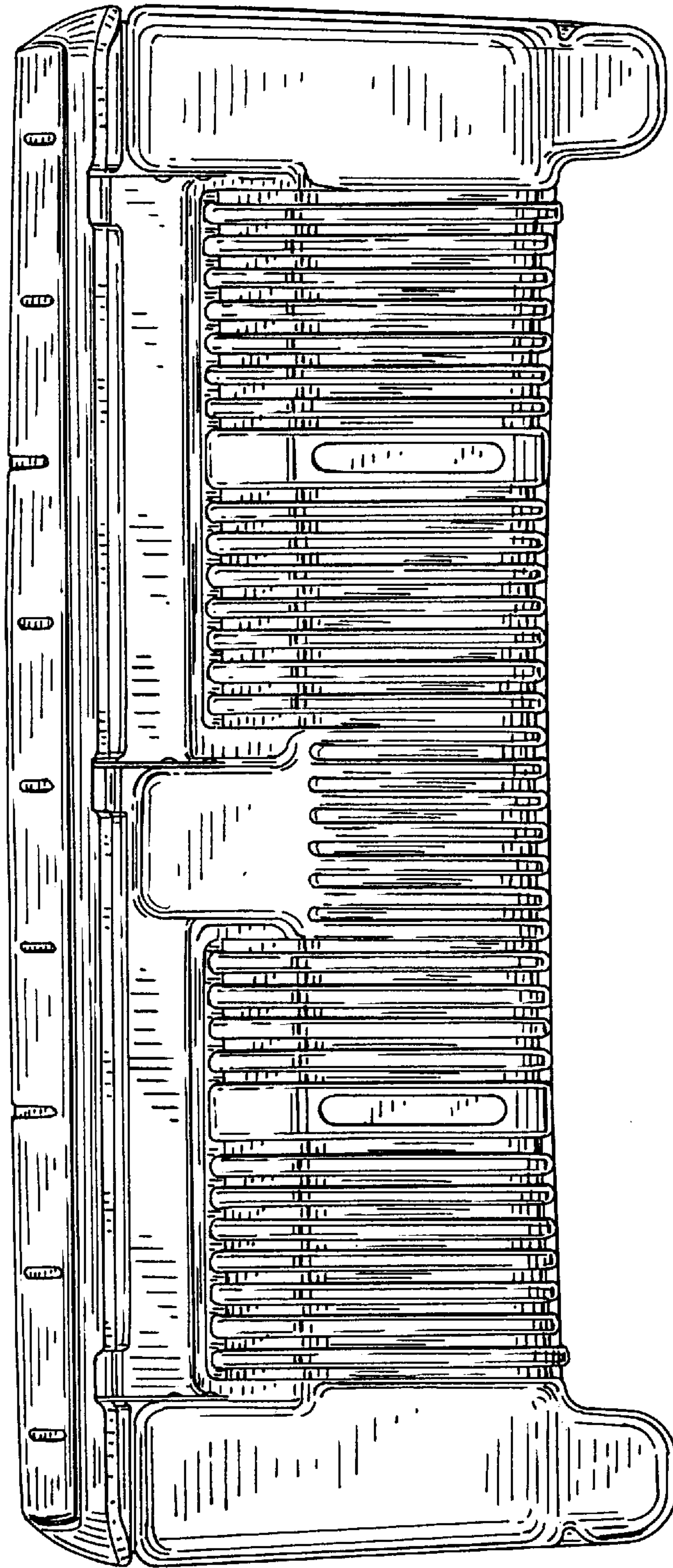


FIG. 4

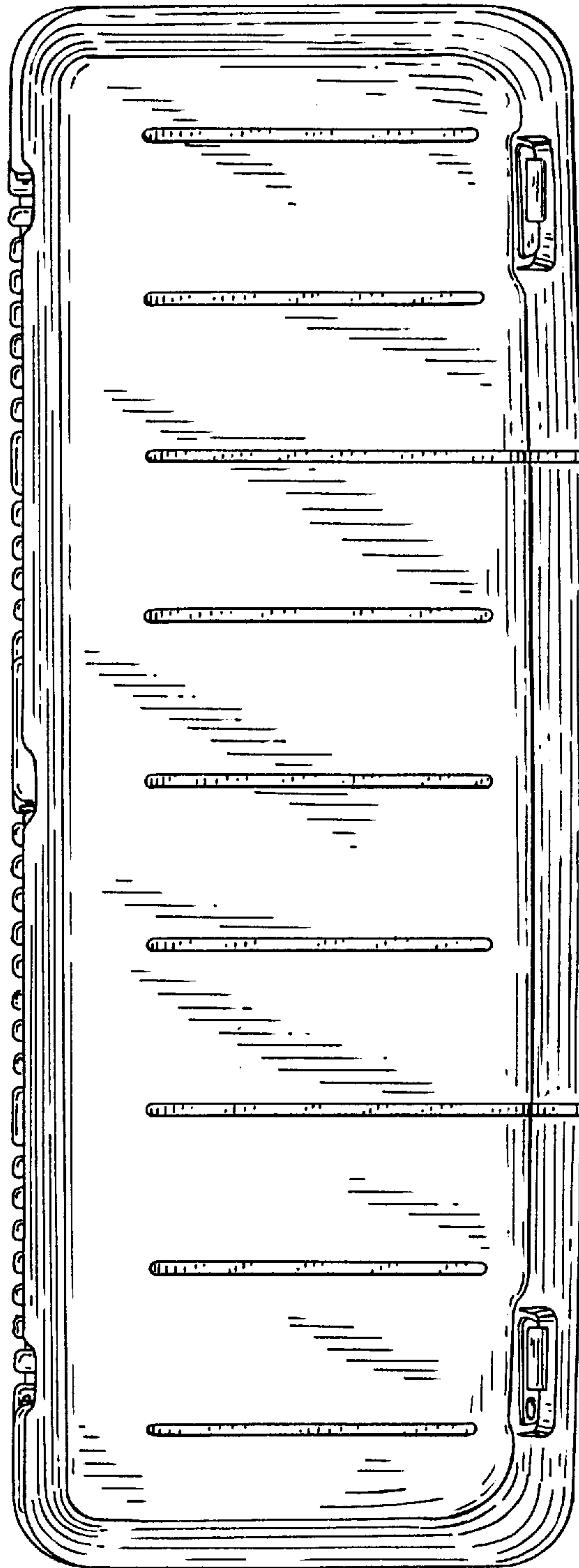


FIG. 5

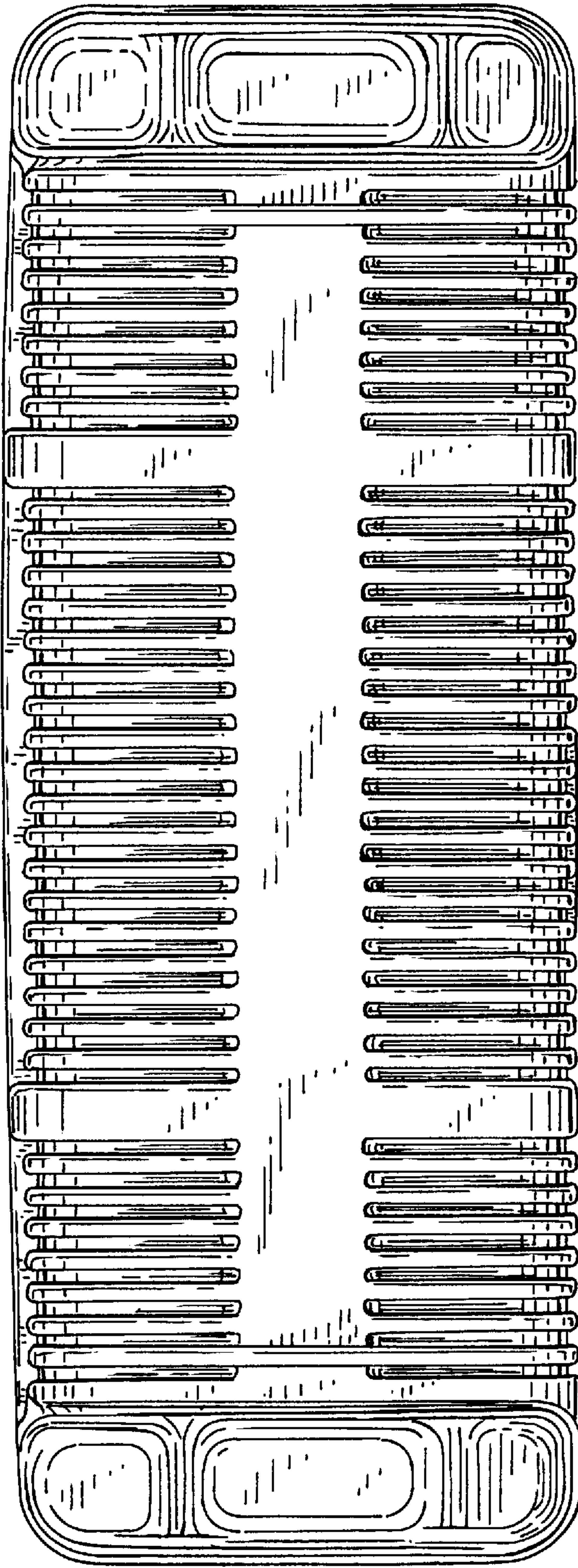


FIG. 6