



US00D400158S

United States Patent [19]

[11] **Patent Number: Des. 400,158**

Meryman et al.

[45] **Date of Patent: **Oct. 27, 1998**

[54] **TRUCK ROOF FAIRING**

[75] Inventors: **Roy L. Meryman**, Renton; **Wayne K. Simons**, Kent, both of Wash.

[73] Assignee: **Paccar Inc.**, Bellevue, Wash.

[**] Term: **14 Years**

[21] Appl. No.: **53,891**

[22] Filed: **May 1, 1996**

[51] **LOC (6) Cl.** **12-16**

[52] **U.S. Cl.** **D12/401**

[58] **Field of Search** D12/401, 400;
296/37.7, 180.1, 180.2, 180.3, 183

[56] **References Cited**

U.S. PATENT DOCUMENTS

D. 249,783	10/1978	Herpel	296/180.2
4,290,639	9/1981	Herpel	296/180.3
4,401,338	8/1983	Caldwell	296/180.2
4,750,772	6/1988	Haegert	296/180.2
4,883,307	11/1989	Hacker et al.	296/180.2
4,957,322	9/1990	Marlowe et al.	296/180.2
5,249,837	10/1993	Luttrell	296/180.3

OTHER PUBLICATIONS

- “Kenworth: Historical Background” (undated); Kenworth Truck Company brochure, Kirkland, WA.
- “Kenworth T300” (undated); Kenworth Truck Company brochure, Kirkland, WA.
- “Kenworth C500B The Ultimate Survivor”; Kenworth Truck Company brochure, Kirkland, WA.
- “Kenworth’s T600: Ten Years of Innovation”, Kenworth Truck Company brochure, Kirkland, WA (Jun. 1995).
- “Kenworth T600”, Kenworth Truck Company brochure, Kirkland, WA.
- “Kenworth T600A, The Conventional Made Extraordinary”, Kenworth Truck Company Brochure, Kirkland, WA.

“Kenworth T800”, Kenworth Truck Company brochure, Kirkland, WA.

“Kenworth W900”, Kenworth Company brochure, Kirkland, WA.

“Kenworth W900L Aerocab”, Kenworth Truck Company brochure, Kirkland, WA.

“Kenworth Construction Trucks”, Canadian Kenworth Company brochure, Mississauga, Ontario.

“Kenworth Aerocab”, Kenworth Truck Company brochure, Kirkland, WA.

“Last Year, One Idea Changed A Lot of Attitudes About Driver Retention—Aerocab”, Kenworth Truck Company brochure, Kirkland, WA.

“Kenworth Studio Sleeper”, Kenworth Truck Company brochure, Kirkland, WA.

Primary Examiner—Doris V. Coles

Assistant Examiner—Catherine R. Oliver

Attorney, Agent, or Firm—Wells, St. John, Roberts, Gregory & Matkin, P.S.

[57] **CLAIM**

We claim the ornamental design for truck roof fairing, as shown and described.

DESCRIPTION

FIG. 1 is a side elevational view of a first embodiment of the truck roof fairing showing our new design, in a position of use;

FIG. 2 is a side elevational view shown in larger scale, the opposite side elevational view being a mirror image thereof;

FIG. 3 is front view thereof;

FIG. 4 is a top view thereof;

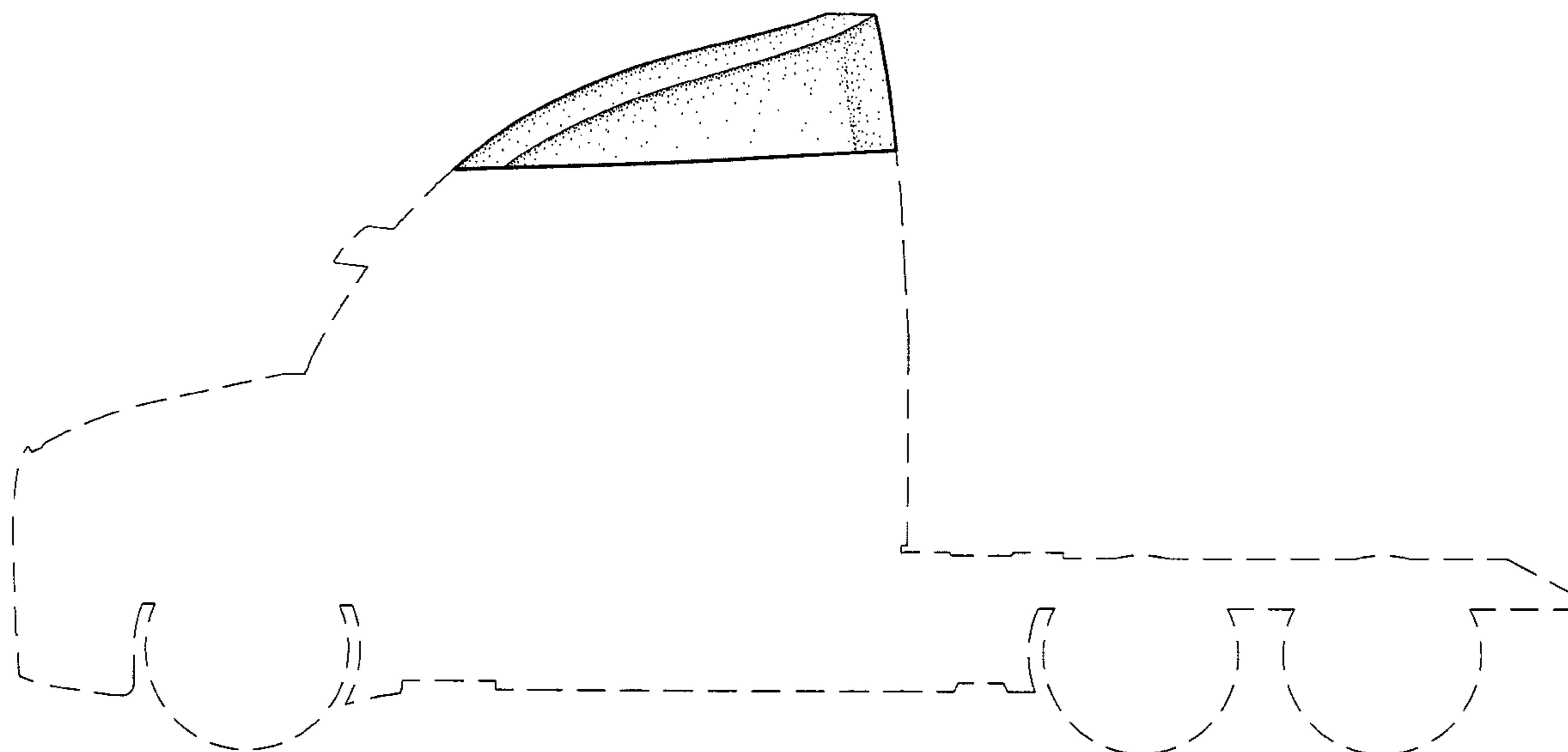
FIG. 5 is a side elevational view of a second embodiment, with the opposite side elevational view being a mirror image thereof;

FIG. 6 is a front view thereof; and,

FIG. 7 is a top view.

The bottom view and rear elevational view, not shown, are plan and unornamented.

1 Claim, 5 Drawing Sheets



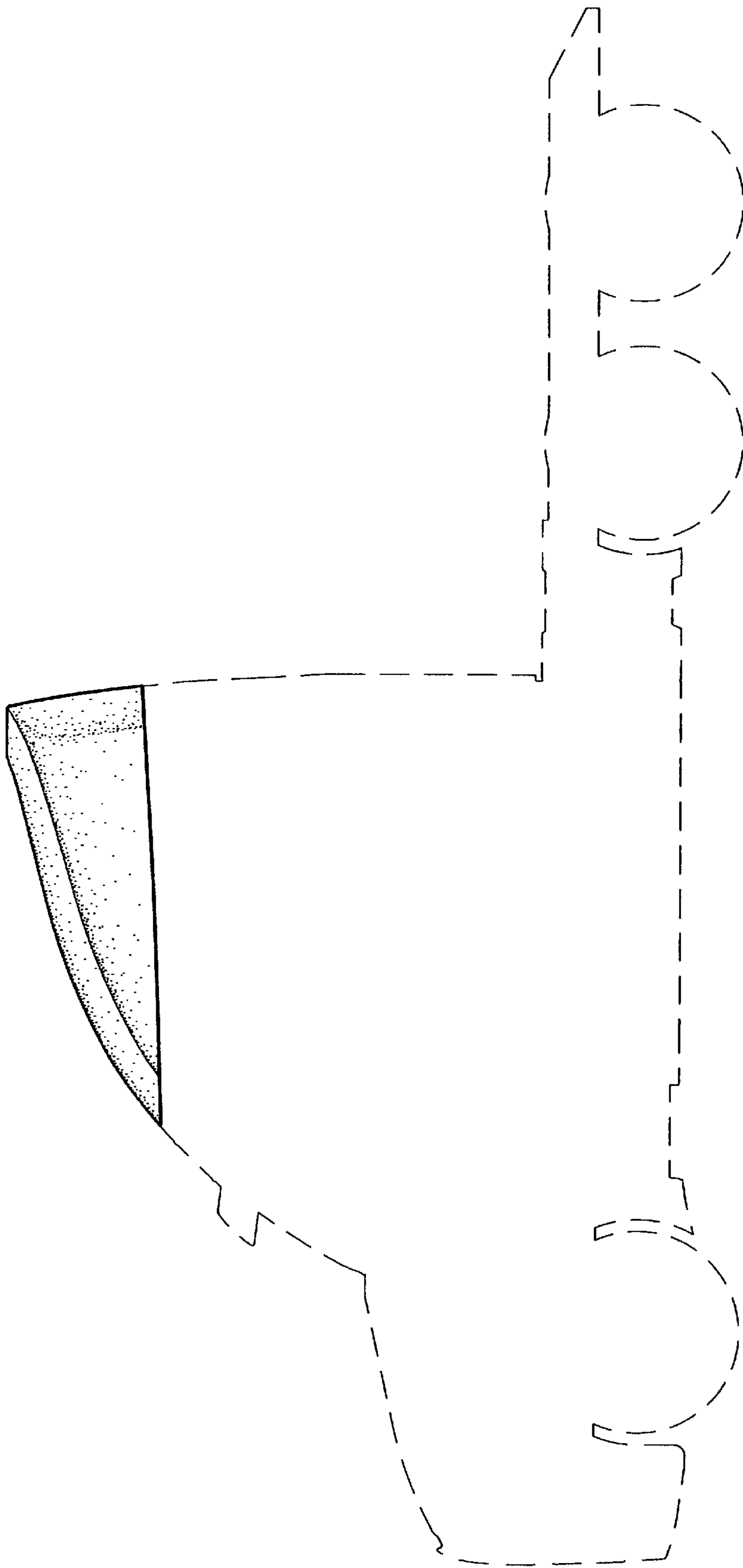


FIG. 1

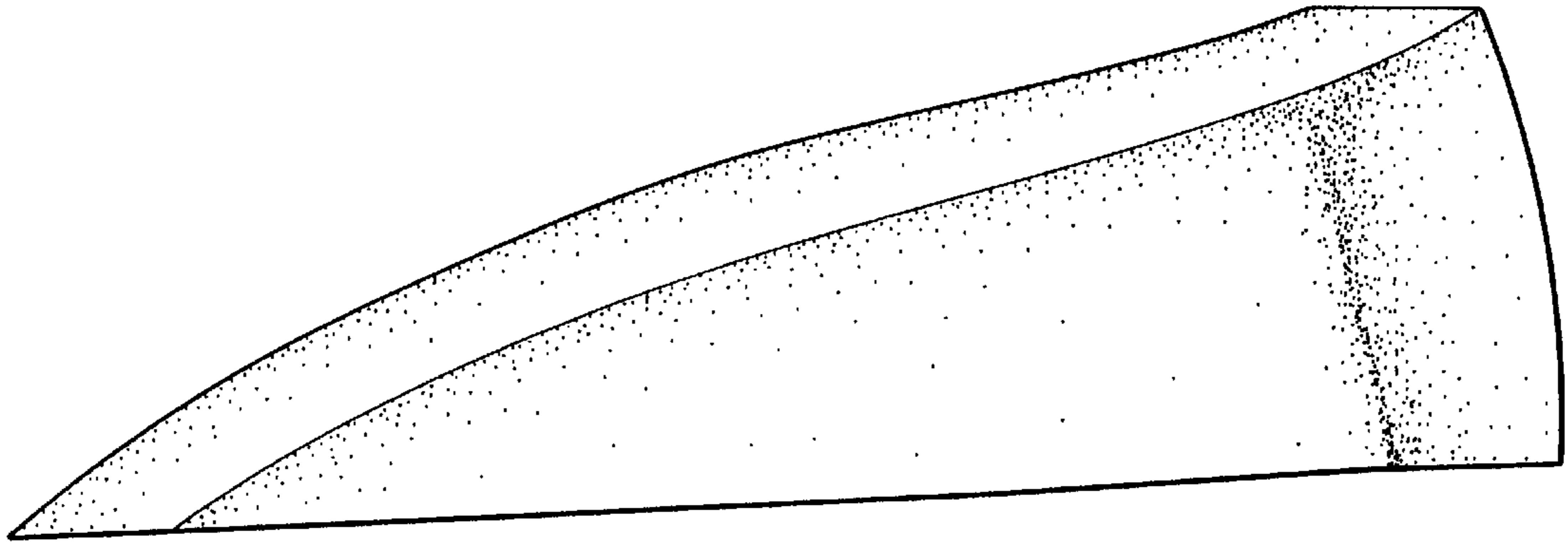


FIG. 2

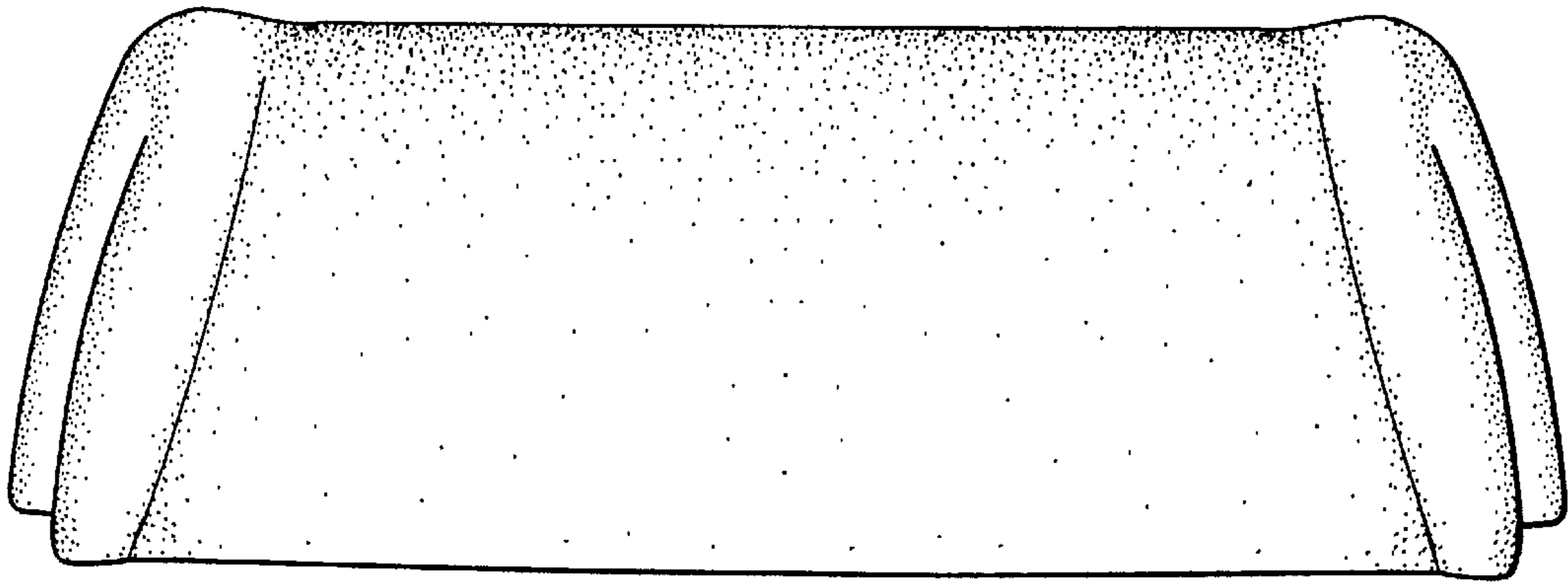


FIG. 3

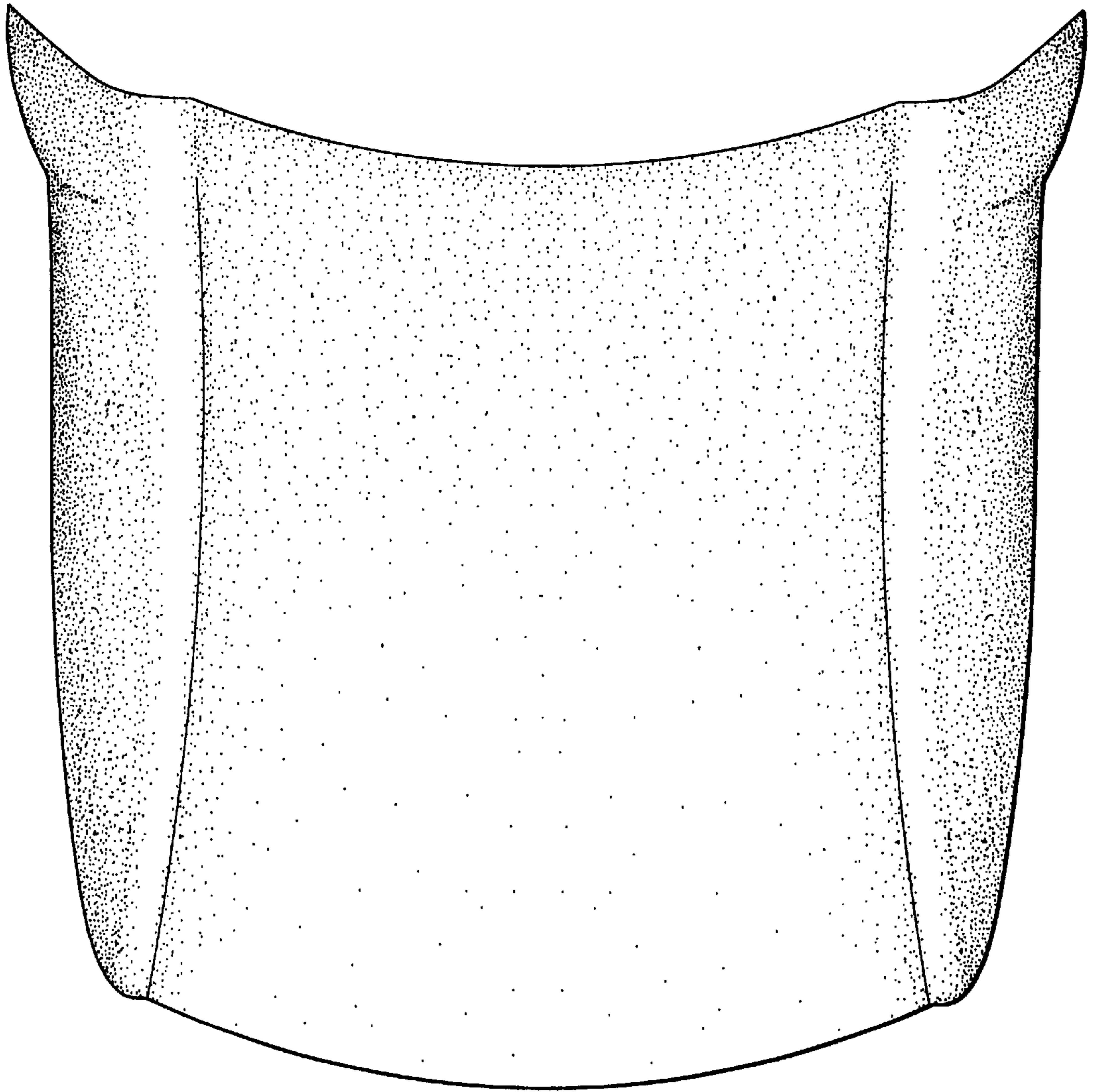
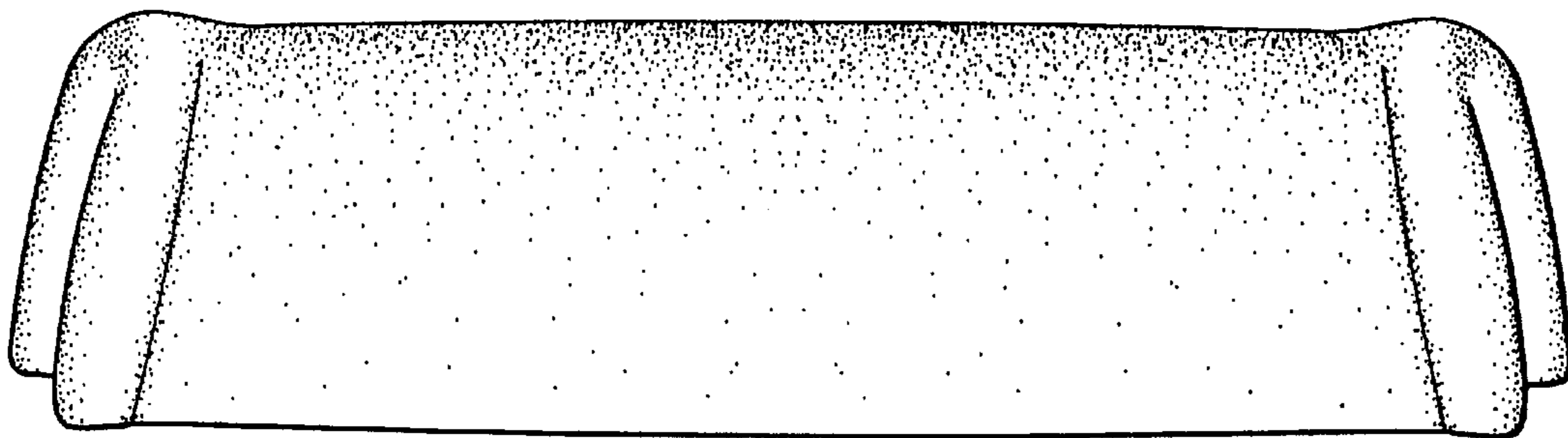
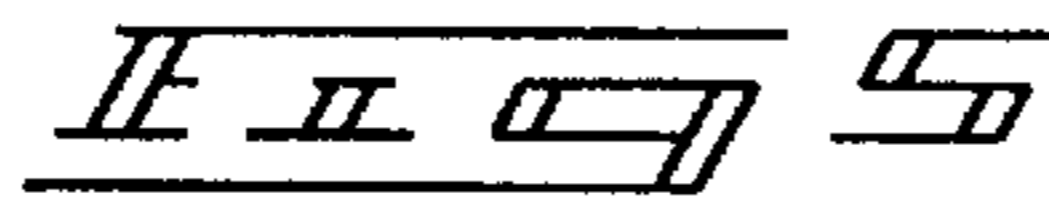
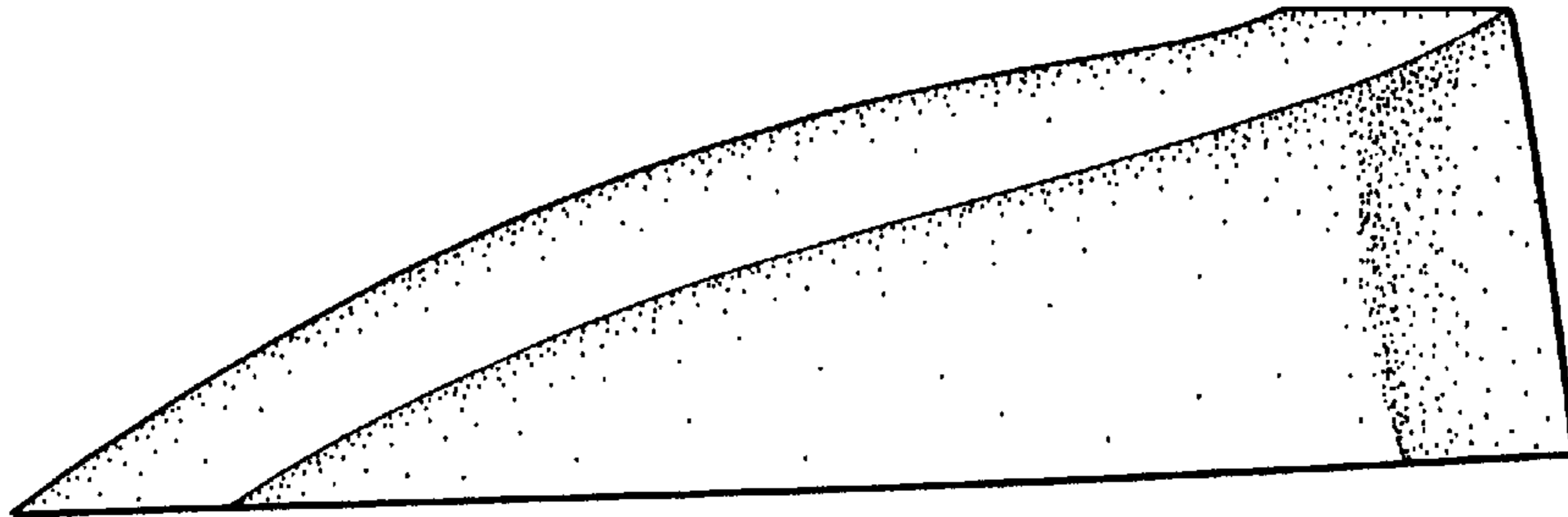


FIG. 4



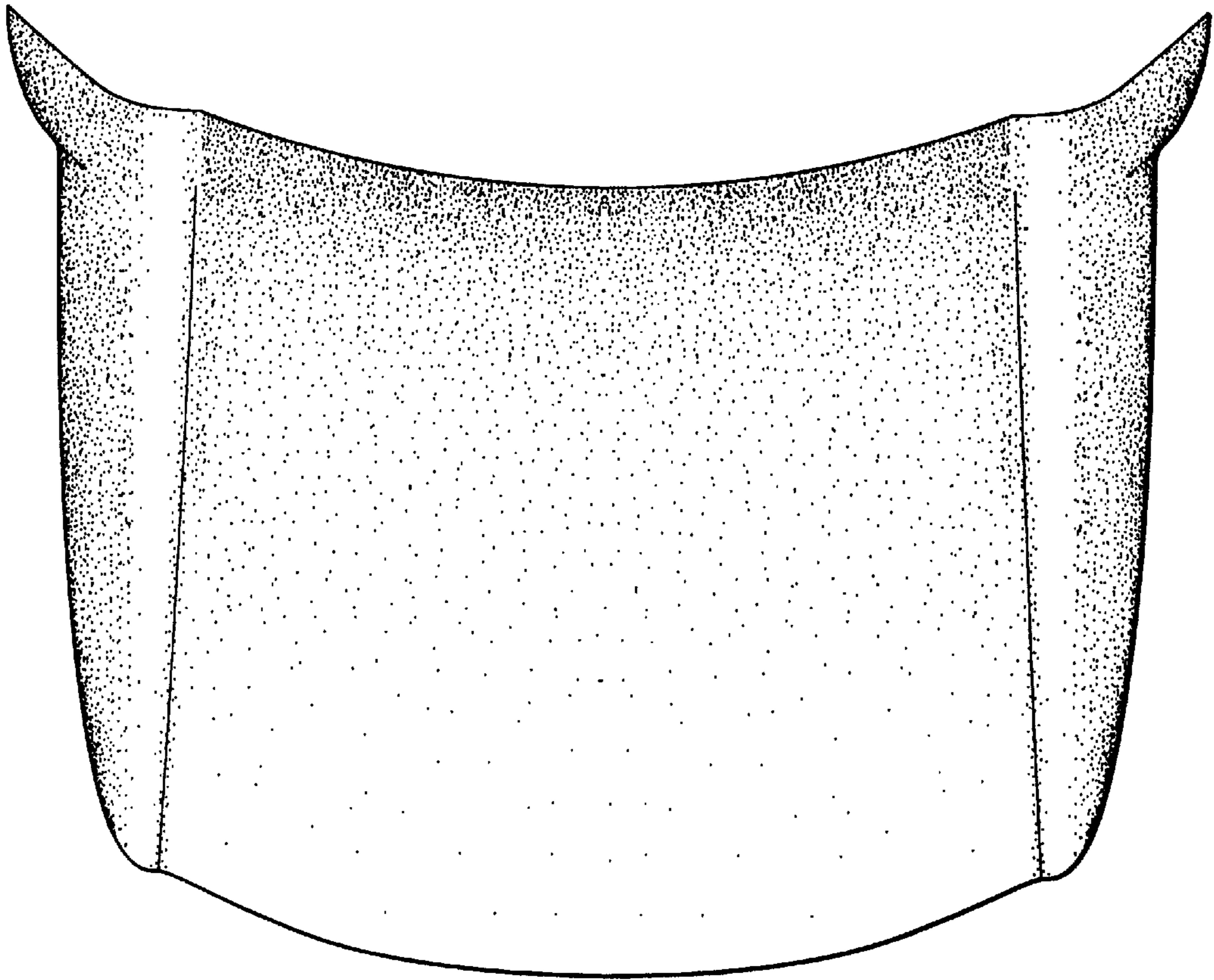


FIG. 5