



US00D400146S

# United States Patent [19]

Marsceau et al.

[11] **Patent Number: Des. 400,146**

[45] **Date of Patent: \*\*Oct. 27, 1998**

[54] **VEHICLE BUMPER**

[76] Inventors: **DeWayne Timothy Marsceau**, 157  
Haley Mill Rd., Easley, S.C. 29640;  
**Christopher James Sullivan**, 120  
Pennwood La., Greenville, S.C. 29609

[\*\*] Term: **14 Years**

[21] Appl. No.: **76,956**

[22] Filed: **Sep. 23, 1997**

[51] **LOC (6) Cl.** ..... **12-16**

[52] **U.S. Cl.** ..... **D12/169**

[58] **Field of Search** ..... D12/169; 293/102,  
293/115, 120

[56] **References Cited**

**U.S. PATENT DOCUMENTS**

- D. 297,924 10/1988 Trinnaman ..... D12/169
- D. 311,894 11/1990 Hensley et al. .... D12/169
- D. 352,019 11/1994 Rivero et al. .... D12/169

*Primary Examiner*—Melody N. Brown

[57] **CLAIM**

The ornamental design for a vehicle bumper, as shown and described.

**DESCRIPTION**

FIG. 1 is a right front perspective view of a vehicle bumper illustrating our new design, it being understood that the broken lines are for illustrative purposes, showing attachment on a front end of an automotive vehicle, and form no part of the claimed design;

FIG. 2 is a front elevation further illustrating our new design;

FIG. 3 is an enlarged left side elevation thereof;

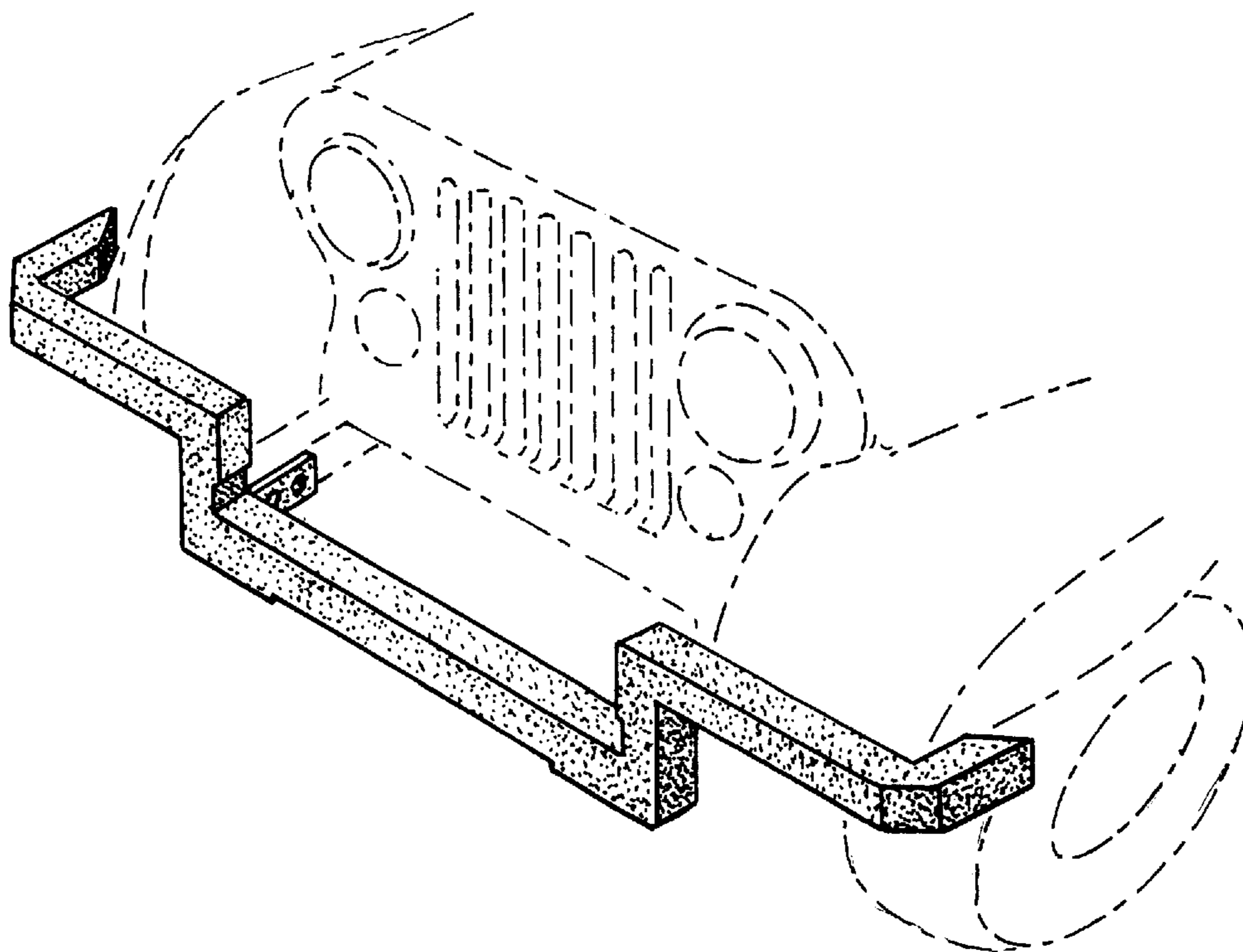
FIG. 4 is a rear elevation thereof;

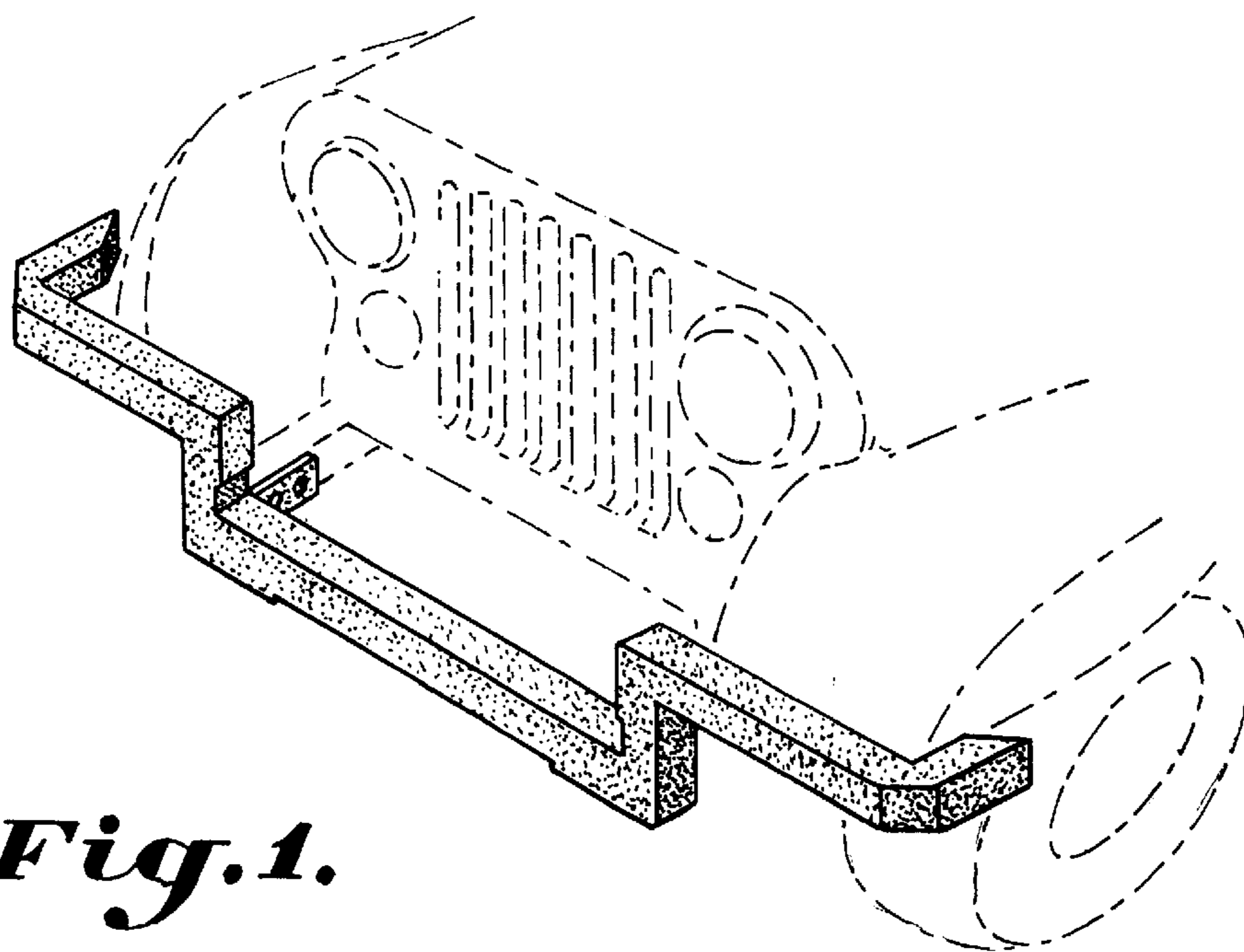
FIG. 5 is a top plan view thereof;

FIG. 6 is a bottom plan view thereof; and,

FIG. 7 is an enlarged right front perspective view of the left hand portion of the vehicle bumper.

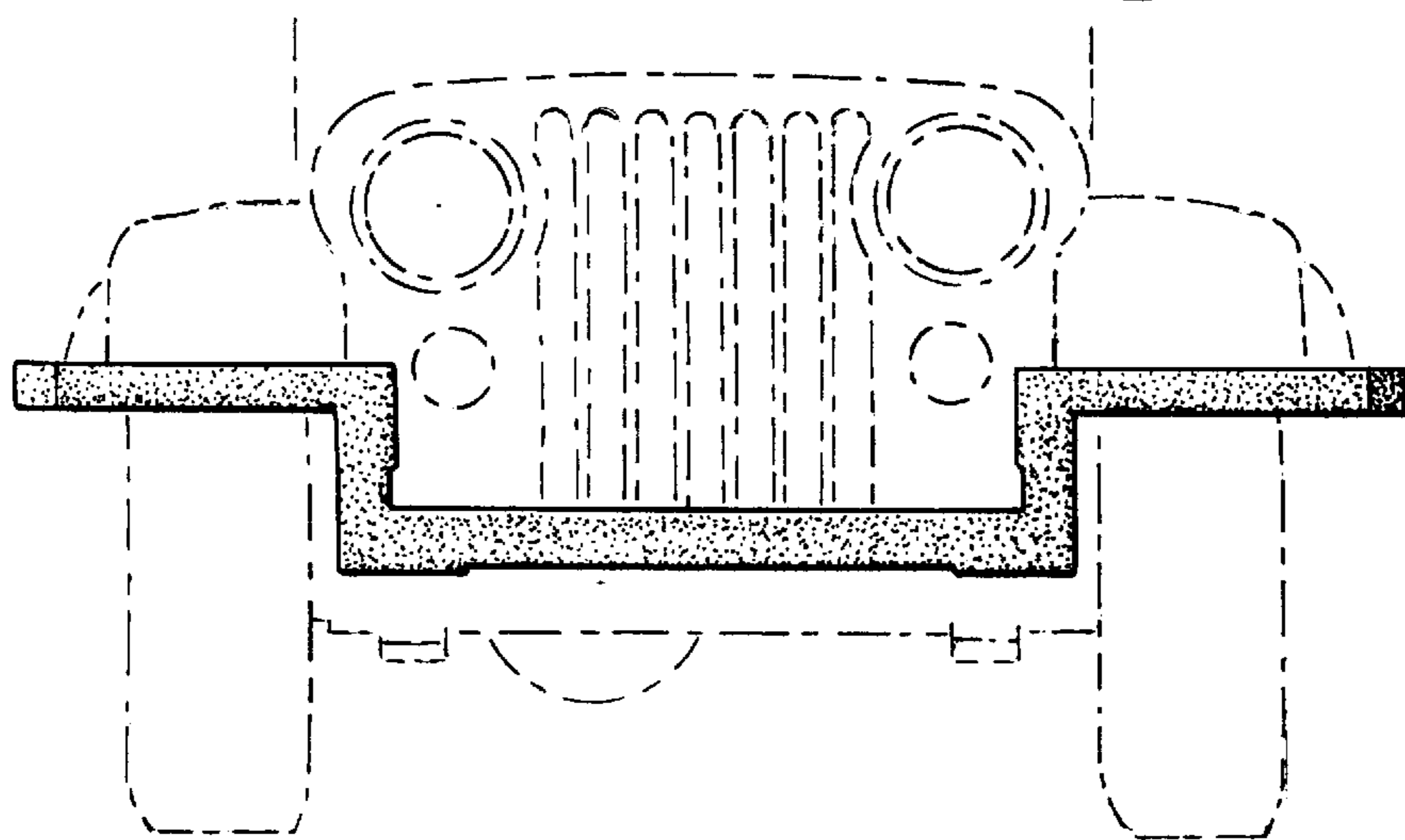
**1 Claim, 2 Drawing Sheets**



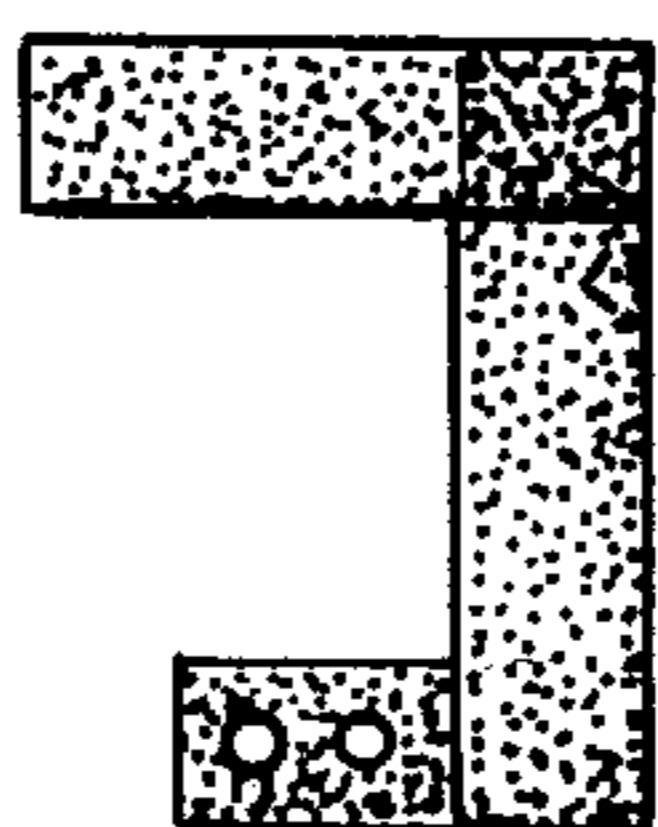


*Fig. 1.*

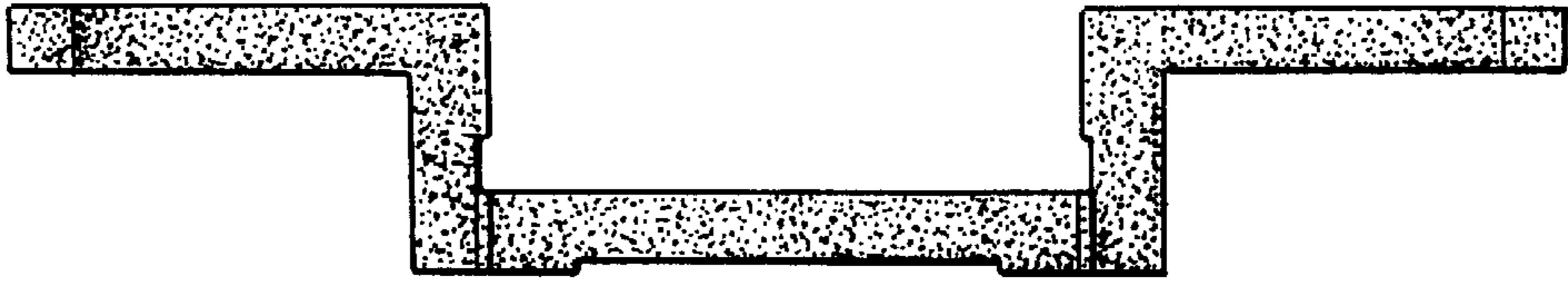
*Fig. 2.*



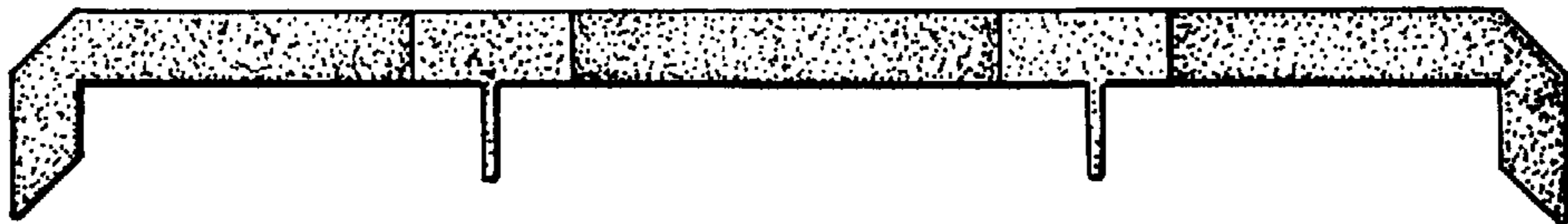
*Fig. 3.*



*Fig. 4.*



*Fig. 5.*



*Fig. 6.*

*Fig. 7.*

