



US00D400145S

United States Patent [19]

Secor et al.

[11] **Patent Number: Des. 400,145**

[45] **Date of Patent: **Oct. 27, 1998**

[54] **VEHICLE IMPACT BUMPER**

[75] Inventors: **Thomas E. Secor**, Willard; **James E. Morrow**, Monroeville, both of Ohio

[73] Assignee: **Durable Corporation**, Norwalk, Ohio

[**] Term: **14 Years**

[21] Appl. No.: **69,898**

[22] Filed: **Apr. 3, 1997**

[51] **LOC (6) Cl.** **12-16**

[52] **U.S. Cl.** **D12/169**

[58] **Field of Search** D12/169; 293/102, 293/106, 115, 126, 128, 131-137, 146, 148; 296/180.1, 180.2

[56] **References Cited**

U.S. PATENT DOCUMENTS

- D. 269,423 6/1983 Waite D12/169
- D. 311,894 11/1990 Hensley et al. D12/169

- D. 328,050 7/1992 Stepinsky, Jr. D12/169
- D. 352,019 11/1994 Rivero et al. D12/169
- D. 370,447 6/1996 Parker D12/169
- 5,215,343 6/1993 Fortune 293/146
- 5,507,540 4/1996 Pernot 293/102

Primary Examiner—Melody N. Brown
Attorney, Agent, or Firm—Porter, Wright, Morris & Arthur

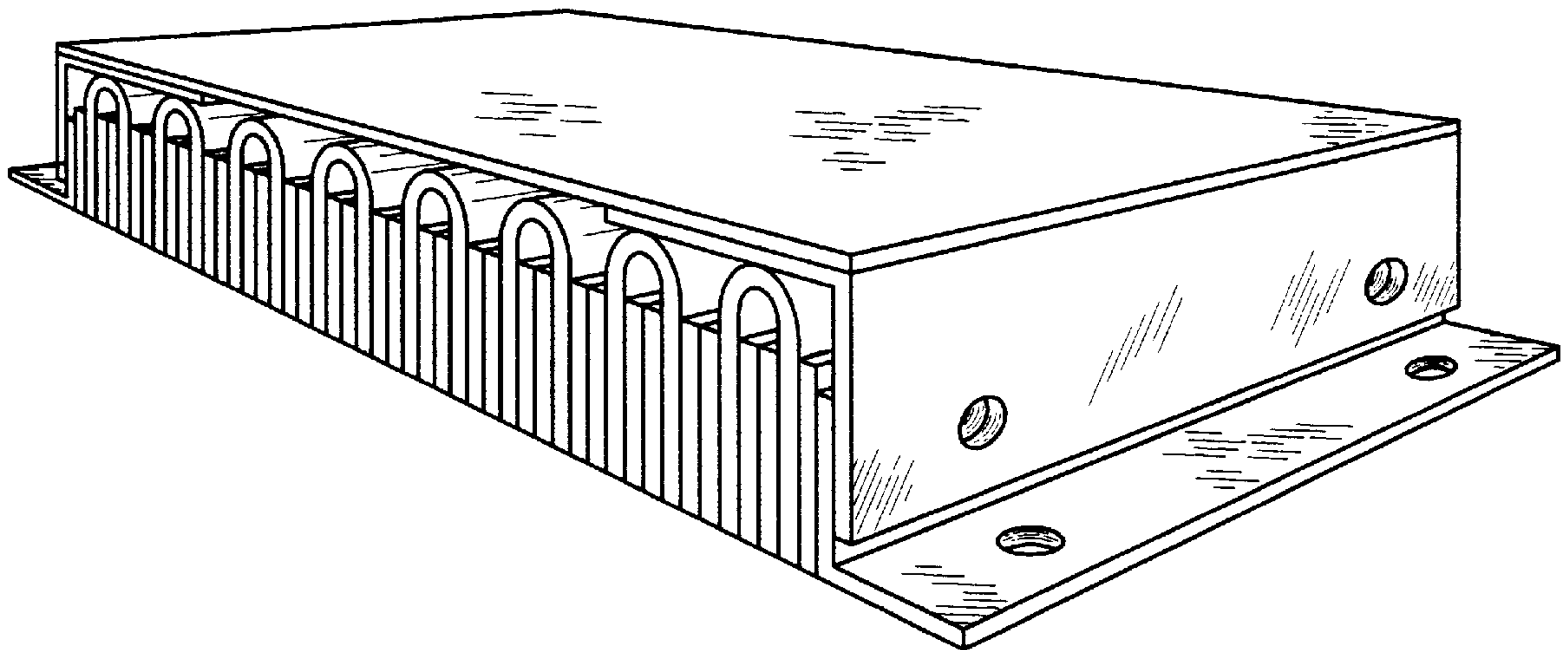
[57] **CLAIM**

The ornamental design for a vehicle impact bumper, as shown and described.

DESCRIPTION

FIG. 1 is a perspective view of a vehicle impact bumper showing our new design; FIG. 2 is an exploded perspective view thereof; and, FIG. 3 is a front elevational view thereof, the rear view being a mirror image of the front shown. The top and bottom views of the vehicle impact bumper of the present invention are flat and unornamented.

1 Claim, 3 Drawing Sheets



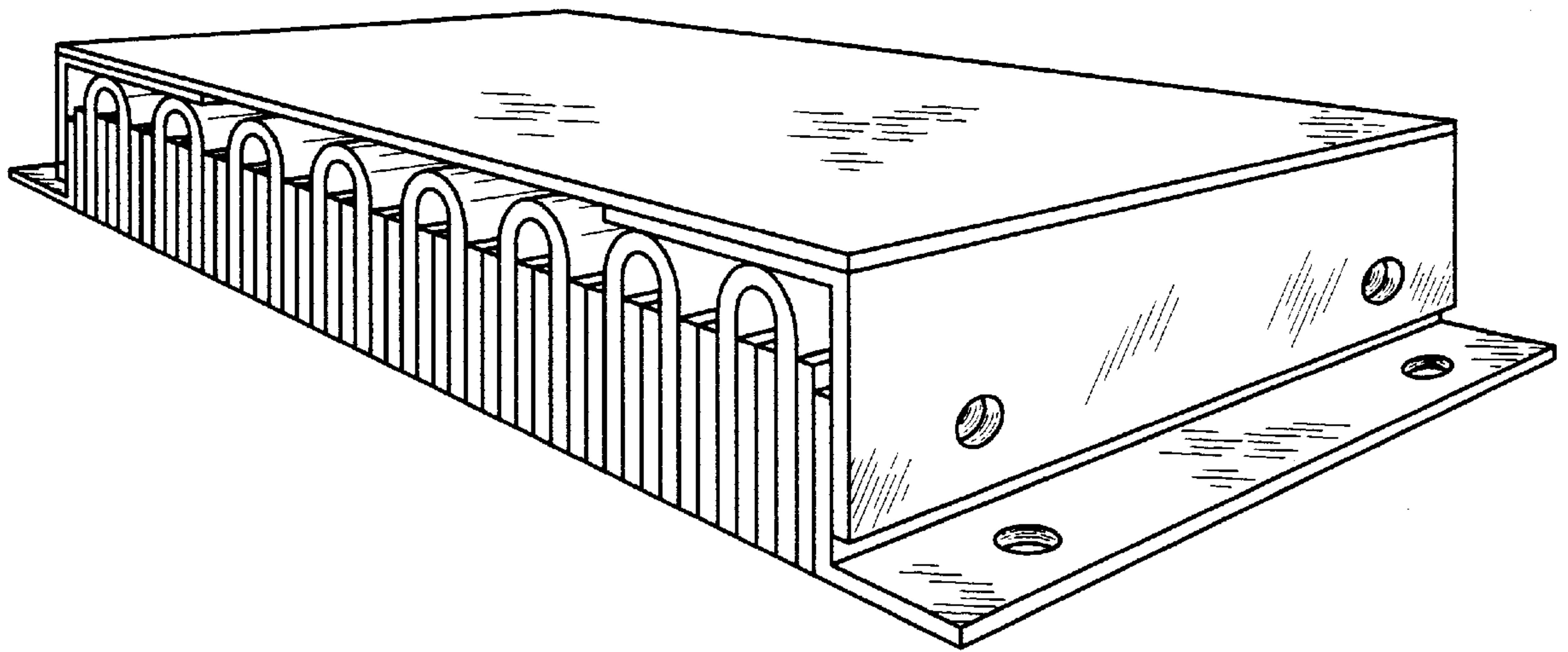


FIG. 1.

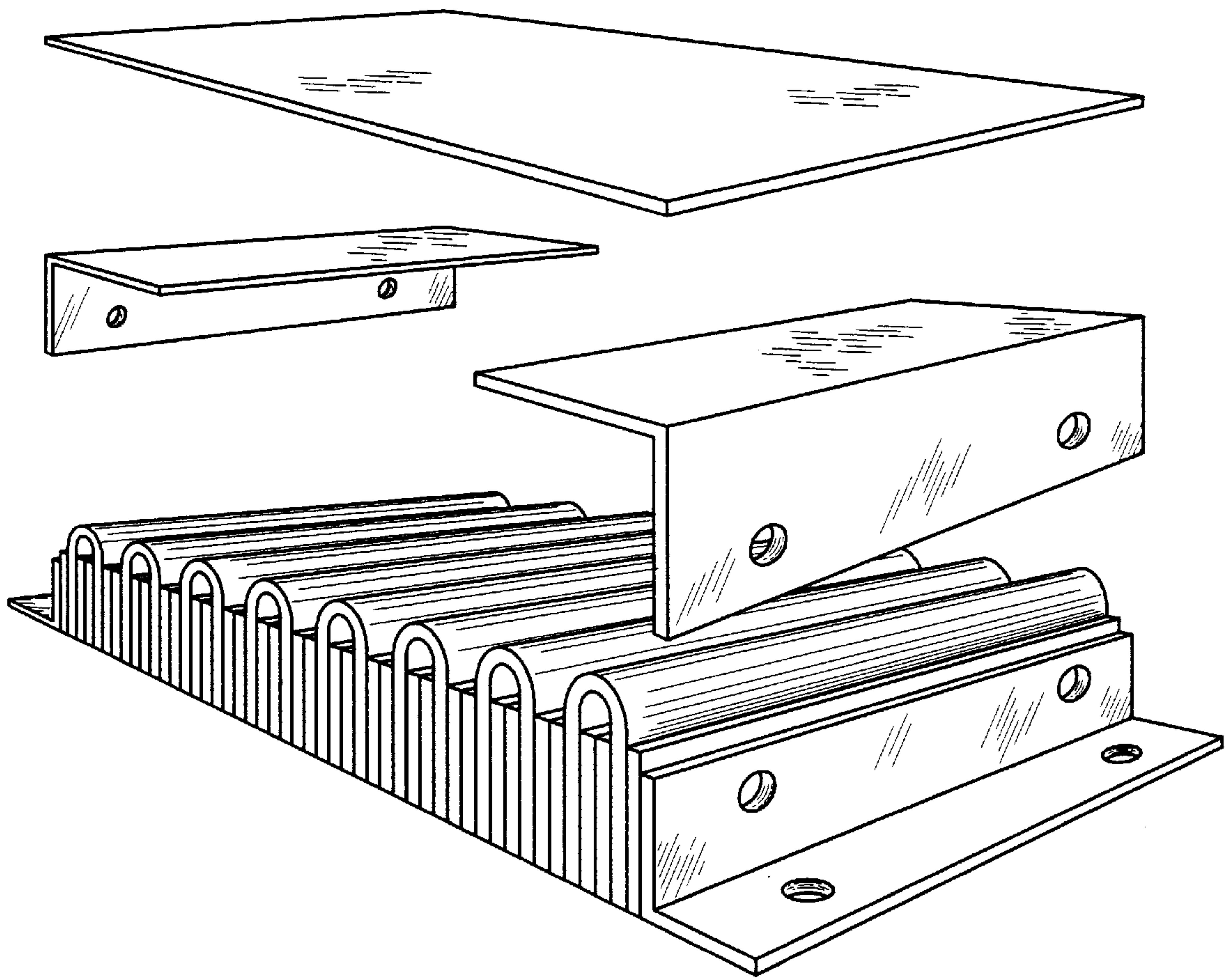


FIG. 2.

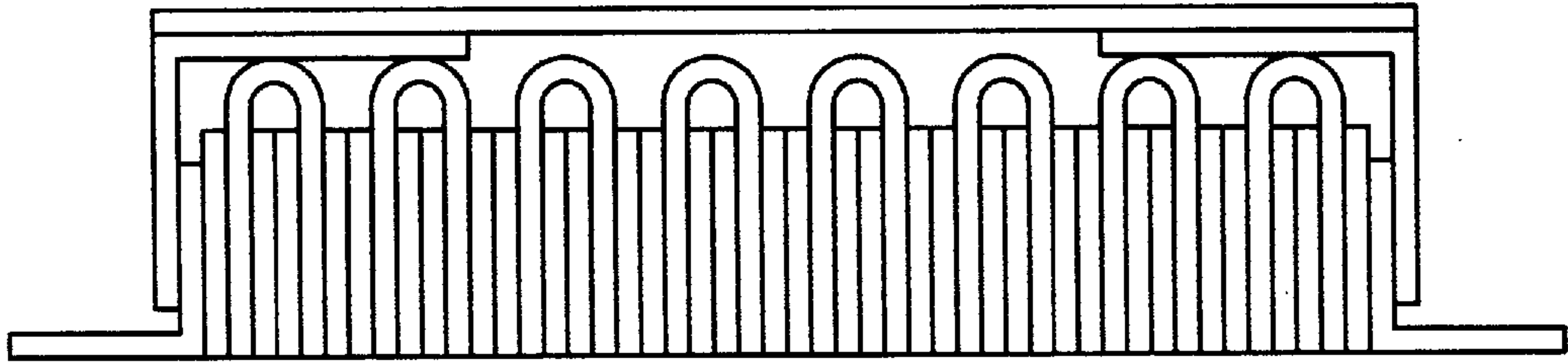


FIG. 3.