



US00D400144S

United States Patent [19]

[11] **Patent Number: Des. 400,144**

Hellhake et al.

[45] **Date of Patent: **Oct. 27, 1998**

[54] **VEHICLE FRONT BUMPER EXTERIOR SURFACE**

[75] Inventors: **Ferdinand F. Hellhake**, Beaverton;
Sigmun D. Runyon, Sandy, both of
Oreg.

[73] Assignee: **Freightliner Corporation**, Portland,
Oreg.

[**] Term: **14 Years**

[21] Appl. No.: **63,811**

[22] Filed: **Dec. 16, 1996**

Related U.S. Application Data

[63] Continuation of Ser. No. 50,611, Feb. 16, 1996, abandoned.

[51] **LOC (6) Cl.** **12-16**

[52] **U.S. Cl.** **D12/169**

[58] **Field of Search** D12/169, 167,
D12/96; 293/102, 117, 120, 126, 128

[56] **References Cited**

U.S. PATENT DOCUMENTS

D. 308,032	5/1990	Kerney et al.	D12/96
D. 312,805	12/1990	Marlowe et al.	D12/169
D. 316,241	4/1991	Ray	D12/169
D. 328,273	7/1992	McGrew, Jr. et al.	D12/173
D. 364,371	11/1995	Ray et al.	D12/169
D. 367,027	2/1996	Onopa	296/180.2
4,932,716	6/1990	Marlowe et al.	296/180.2
5,071,500	12/1991	Kumagai et al.	293/102 X
5,141,273	8/1992	Freeman	293/102
5,308,134	5/1994	Stanesic	296/91
5,462,325	10/1995	Masuda et al.	293/102

OTHER PUBLICATIONS

Freightliner Business Class brochure (Copyright 1996)
(depicting prior art trucks).

Freightliner Heavy-Duty Trucks, FLD 120 Conventional
(depicting prior art trucks).

Freightliner Heavy-Duty Trucks, The Classic XL (depicting
prior art trucks).

Freightliner Business Class FL 112 Conventional brochure
(Copyright 1995).

Copy of undated International (Navistar) brochure depicting
9000 Conventional trucks (prior art trucks).

Copy of WhiteGMC brochure entitled "WhiteGMC™ Tall
Integral Sleeper" (Copyright 1992).

Primary Examiner—Melody N. Brown

Attorney, Agent, or Firm—Klarquist Sparkman Campbell
Leigh & Winston, LLP

[57] **CLAIM**

The ornamental design for a front bumper exterior truck
surface, as shown and described.

DESCRIPTION

FIG. 1 is a perspective view of a vehicle front bumper
exterior surface showing the new design, it being understood
that the broken lines are for illustrative purposes only and
form no part of the design;

FIG. 2 is a right side elevational view of the front bumper
exterior surface of the present invention, it being understood
that the left side elevational view of the bumper exterior
surface of the present invention is a mirror image of the
surface shown in FIG. 2;

FIG. 3 is a top view of the bumper exterior surface of the
present invention;

FIG. 4 is a front view of the bumper exterior surface of the
present invention; and,

FIG. 5 is a bottom view of the bumper exterior surface of the
present invention.

1 Claim, 2 Drawing Sheets

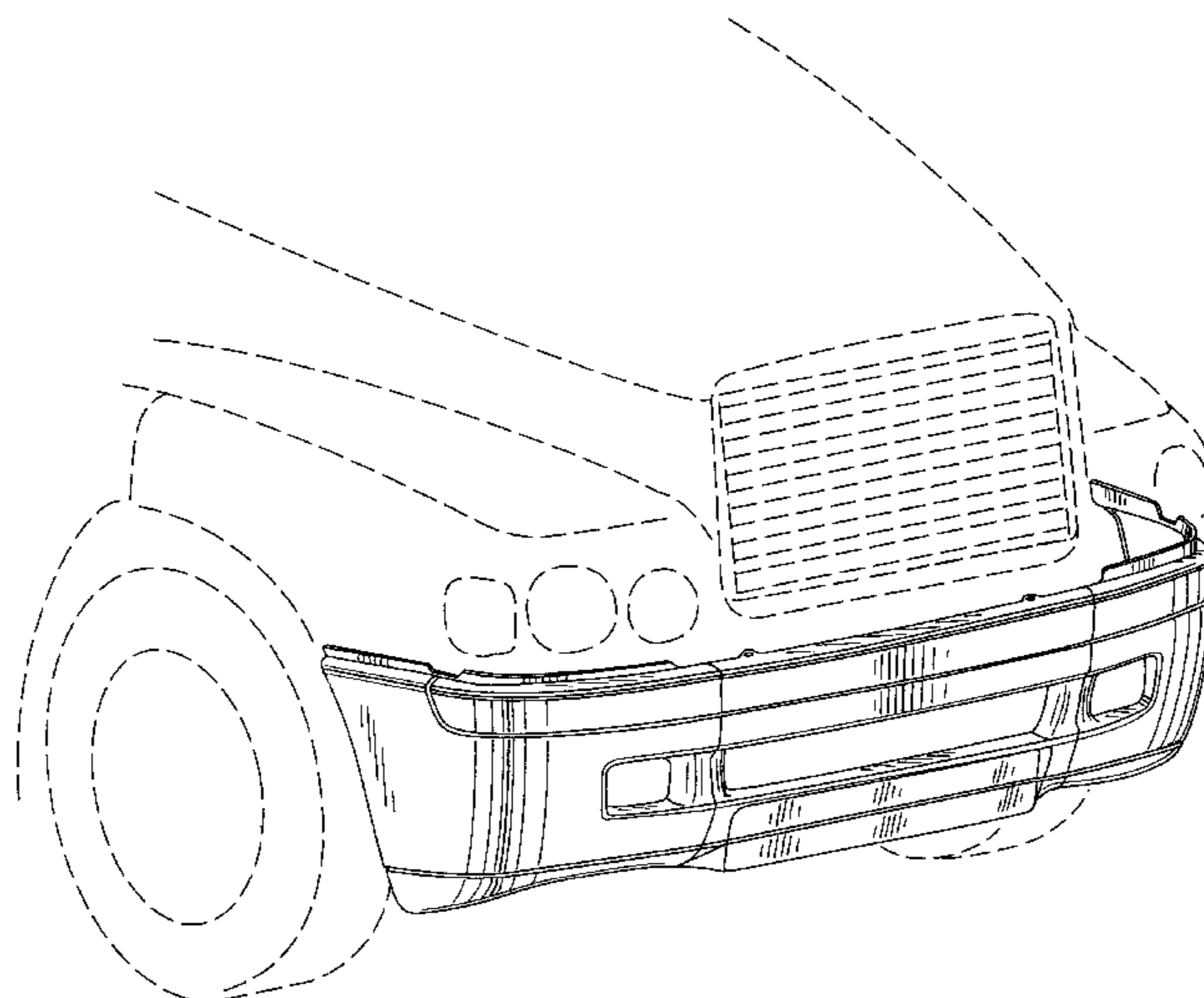


FIG. 1

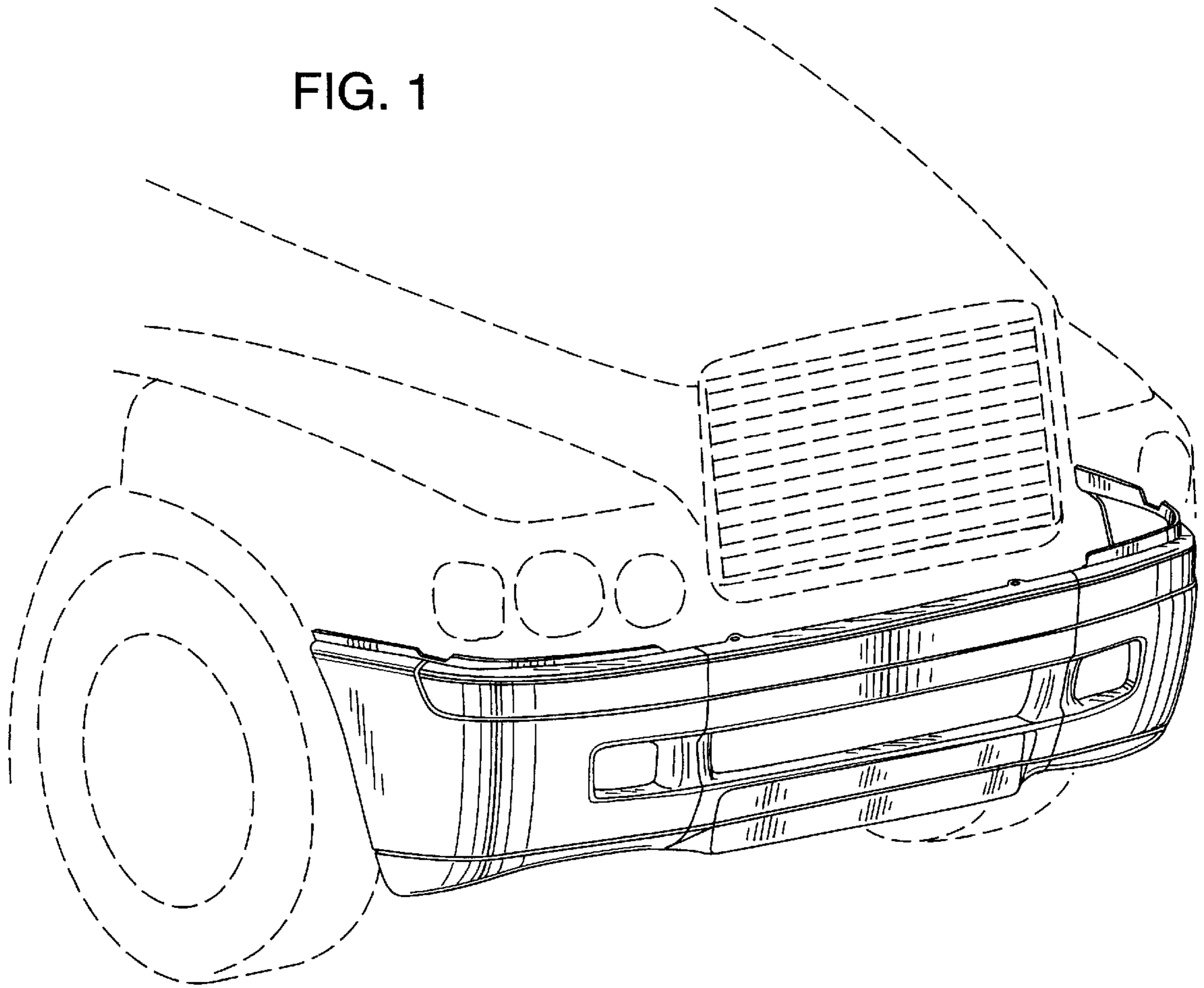


FIG. 2

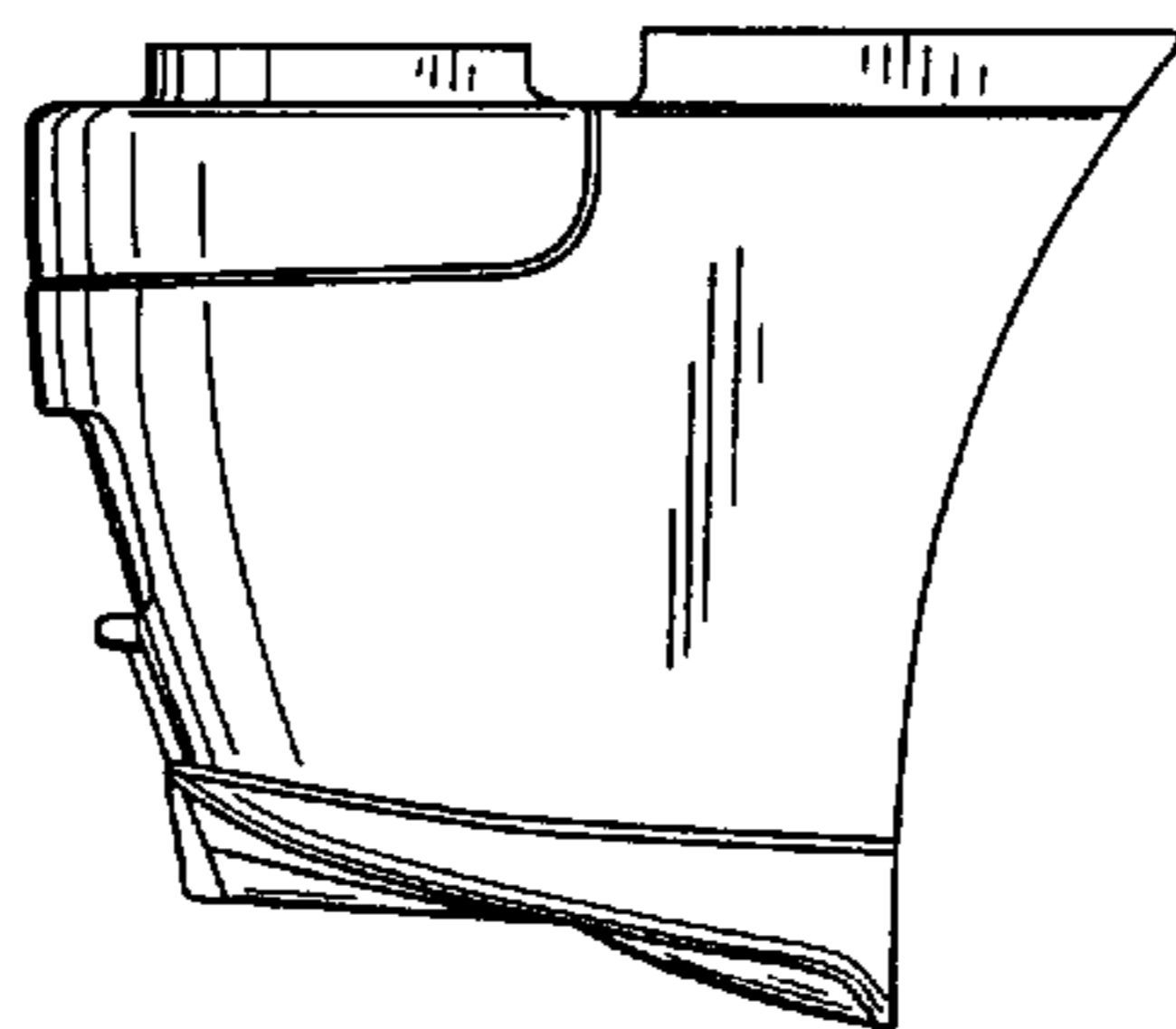


FIG. 3

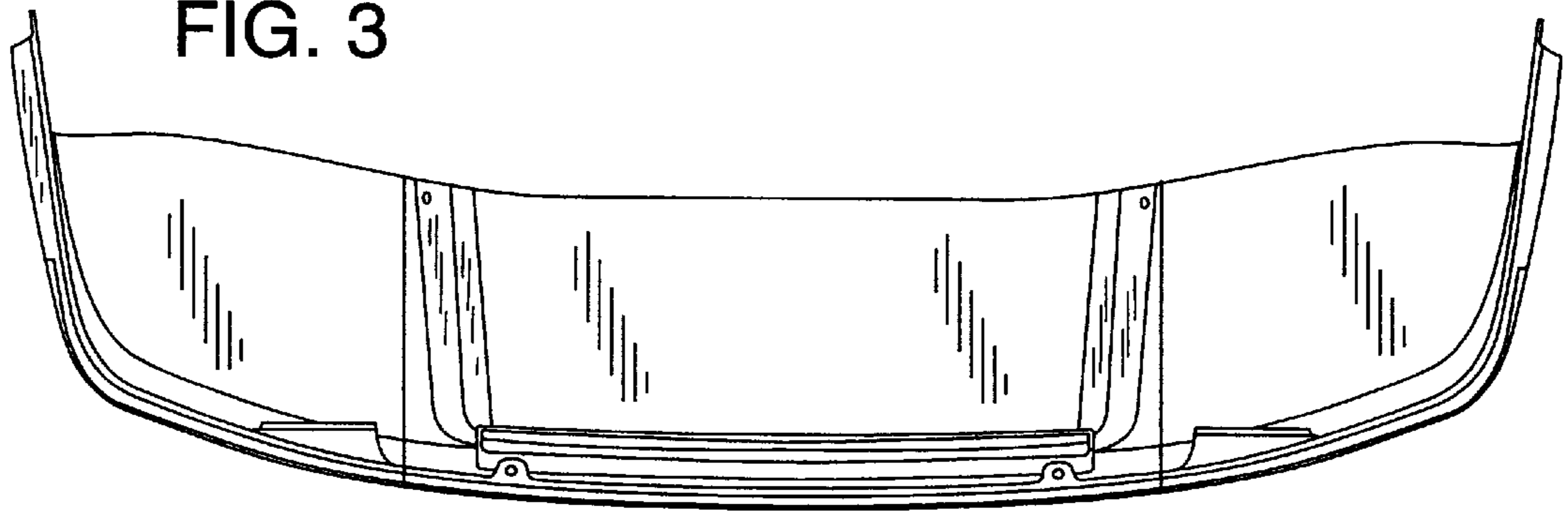


FIG. 4

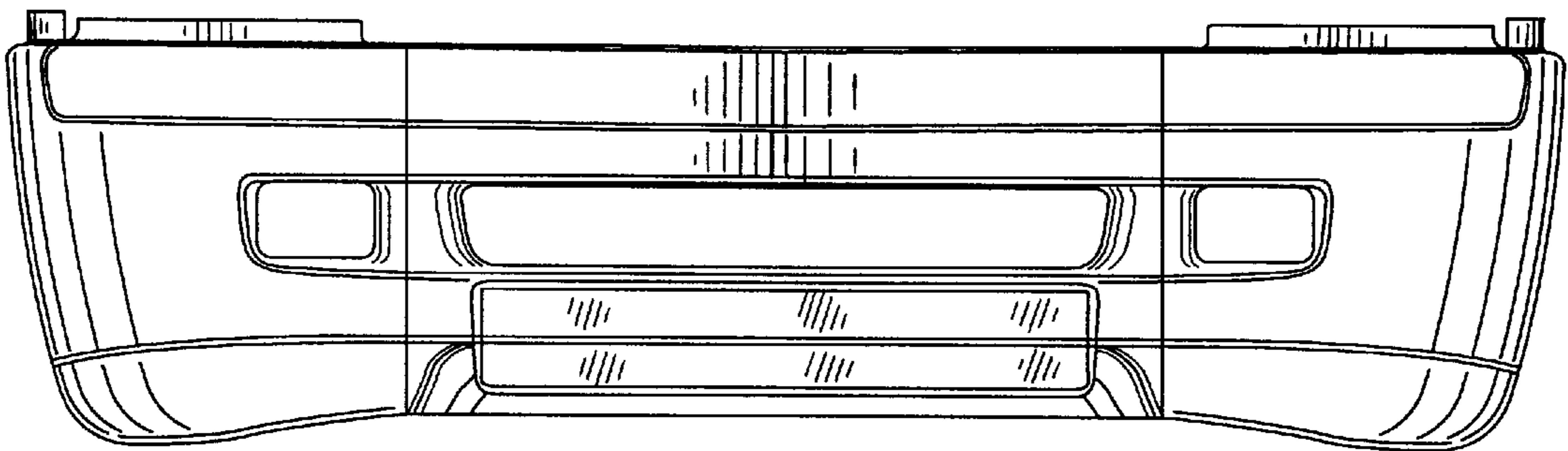


FIG. 5

