



US00D400137S

United States Patent [19]

Heinen et al.

[11] Patent Number: Des. 400,137

[45] Date of Patent: **Oct. 27, 1998

[54] TIRE TREAD

[75] Inventors: **Richard Heinen**, Habay-la-Neuve;
Pascale de Briey-Terlinden, Lischert,
both of Belgium

[73] Assignee: **The Goodyear Tire & Rubber Company**, Akron, Ohio

[**] Term: **14 Years**

[21] Appl. No.: **76,570**

[22] Filed: **Sep. 10, 1997**

[51] LOC (6) Cl. **12-15**

[52] U.S. Cl. **D12/147**

[58] Field of Search D12/134, 136,
D12/138, 140-151; 152/209 R, 209 A,
209 D

D. 362,221 9/1995 Van Emburg D12/147
D. 374,200 10/1996 Kinoshita D12/141
D. 379,336 5/1997 Hanlon et al. D12/147
5,293,918 3/1994 Tsuda et al. 152/209 R
5,435,364 7/1995 Hasegawa et al. 152/209 R

OTHER PUBLICATIONS

Goodyear Eagle VR Tire, 1996 Tread Design Guide, p. 34, Feb. 1996.

Toyo Proxes U1 Tire, 1996 Tread Design Guide, p. 73, Feb. 1996.

Top Right Tire Illustration, Dayton Tire Ad, Modern Tire Dealer Magazine, p. 17, Jan. 1996.

Primary Examiner—Robert M. Spear
Attorney, Agent, or Firm—T. P. Lewandowski

[57] CLAIM

The ornamental design for a tire tread, as shown and described.

DESCRIPTION

FIG. 1 is a perspective view of a tire tread showing our new design, it being understood that the pattern repeats uniformly throughout the circumference of the tread;

FIG. 2 is a front elevational view thereof;

FIG. 3 is a right side elevational view thereof;

FIG. 4 is a left side elevational view thereof; and,

FIG. 5 is an enlarged fragmentary front perspective view thereof.

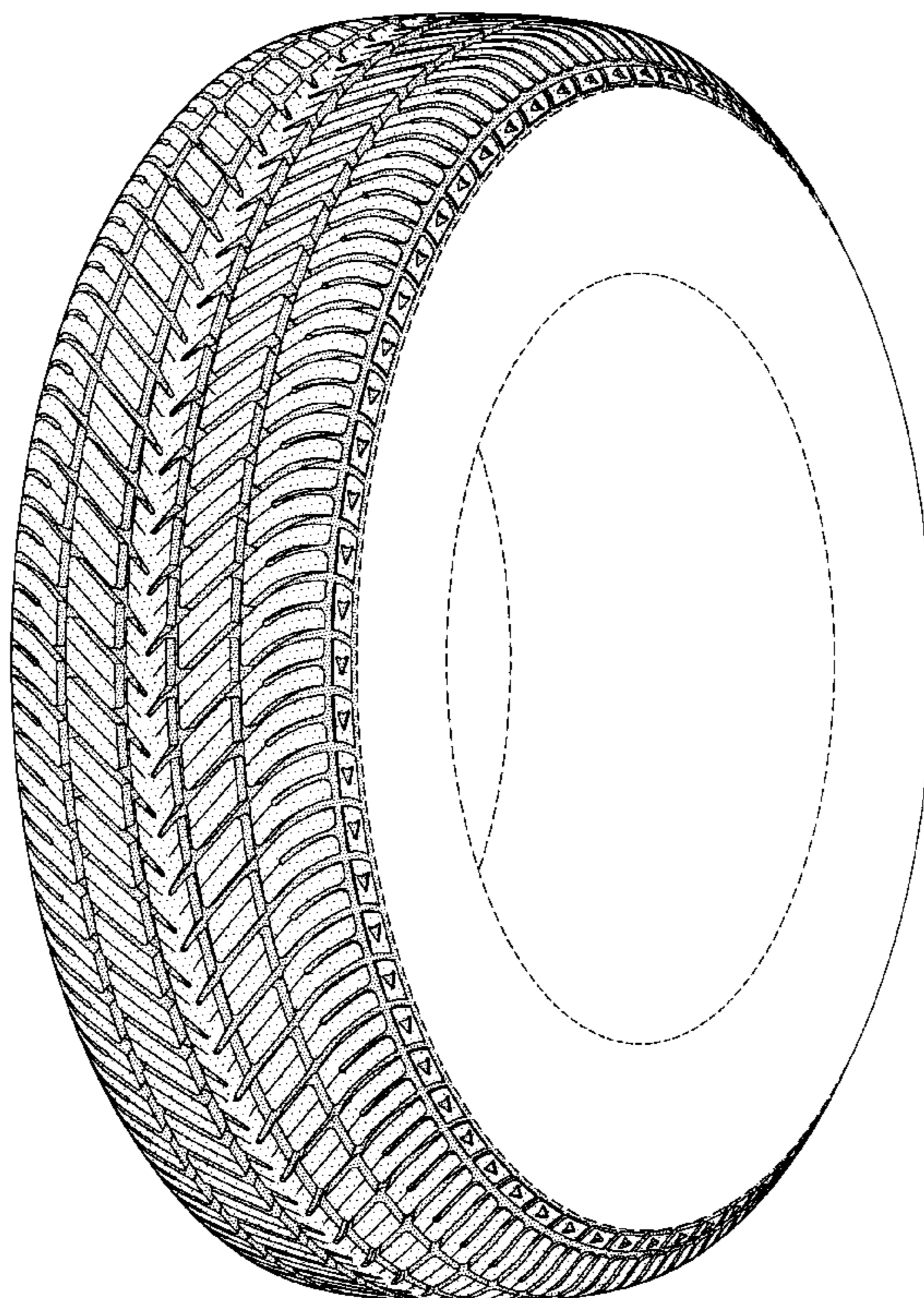
In the drawings, the broken lines defining the inner bead of the sidewall and the peripheral boundary between the tire tread and the sidewall are for illustrative purposes only and form no part of the claimed design.

1 Claim, 5 Drawing Sheets

[56] References Cited

U.S. PATENT DOCUMENTS

D. 15,121	6/1884	Pratt	D12/151
D. 61,155	7/1922	Frank	.	
D. 313,210	12/1990	Tsutsumi et al.	D12/146
D. 320,772	10/1991	Hasegawa	D12/141
D. 330,882	11/1992	Hasegawa	D12/147
D. 331,035	11/1992	Suzuki	D12/147
D. 332,073	12/1992	Hasegawa	D12/147
D. 334,364	3/1993	Maitre et al.	D12/147
D. 339,776	9/1993	Hayakawa et al.	D12/147
D. 340,686	10/1993	Baker	D12/147
D. 342,047	12/1993	Takahashi	D12/146
D. 346,350	4/1994	Himuro et al.	D12/147



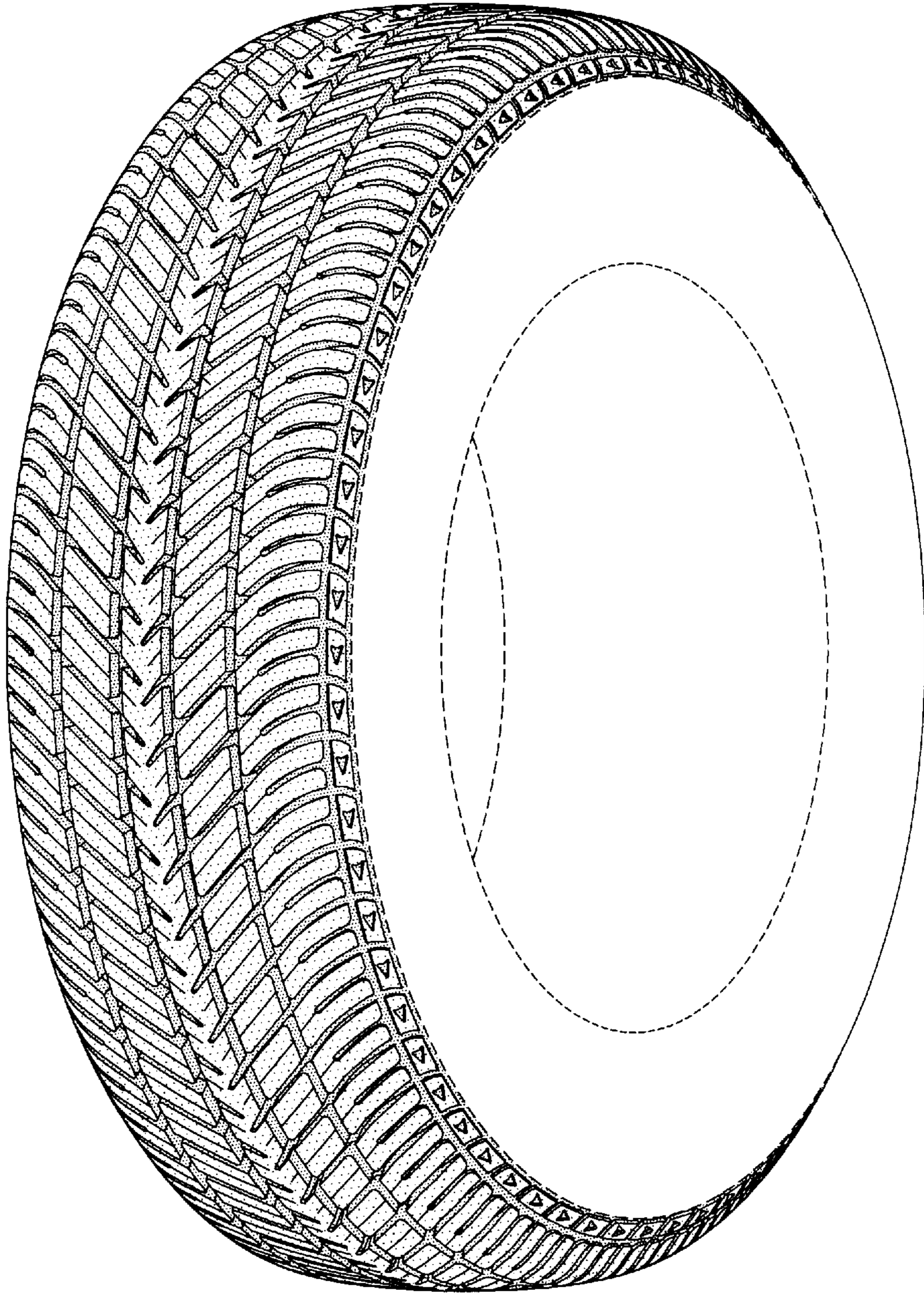


FIG-1

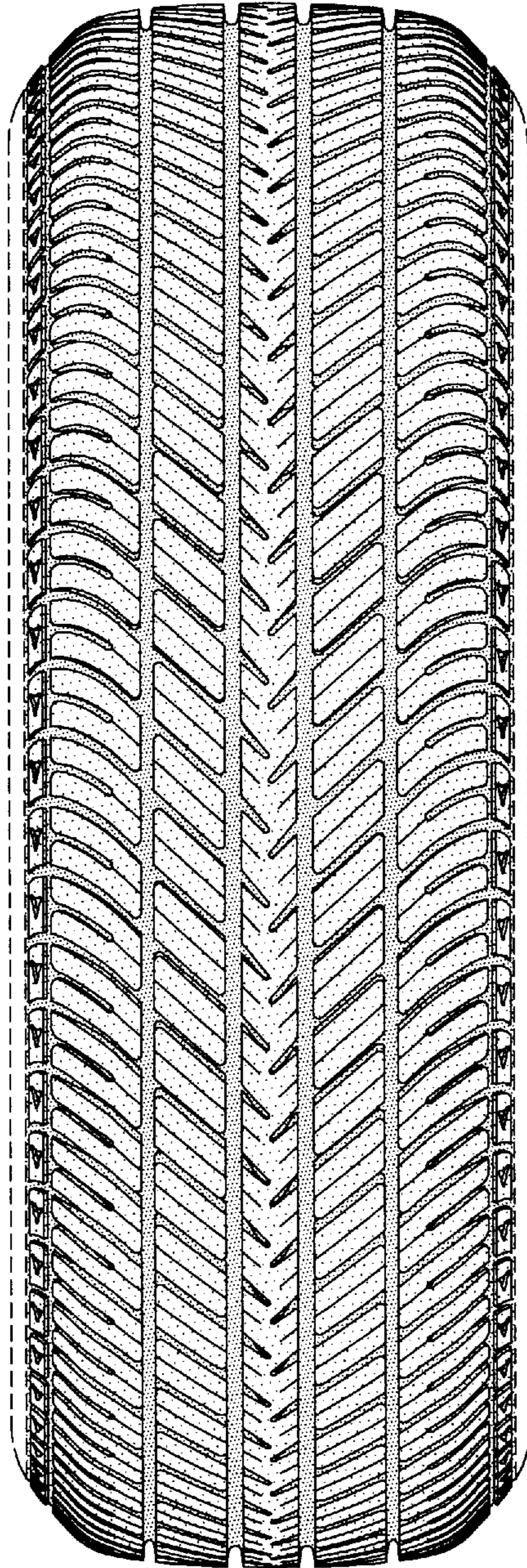


FIG-2

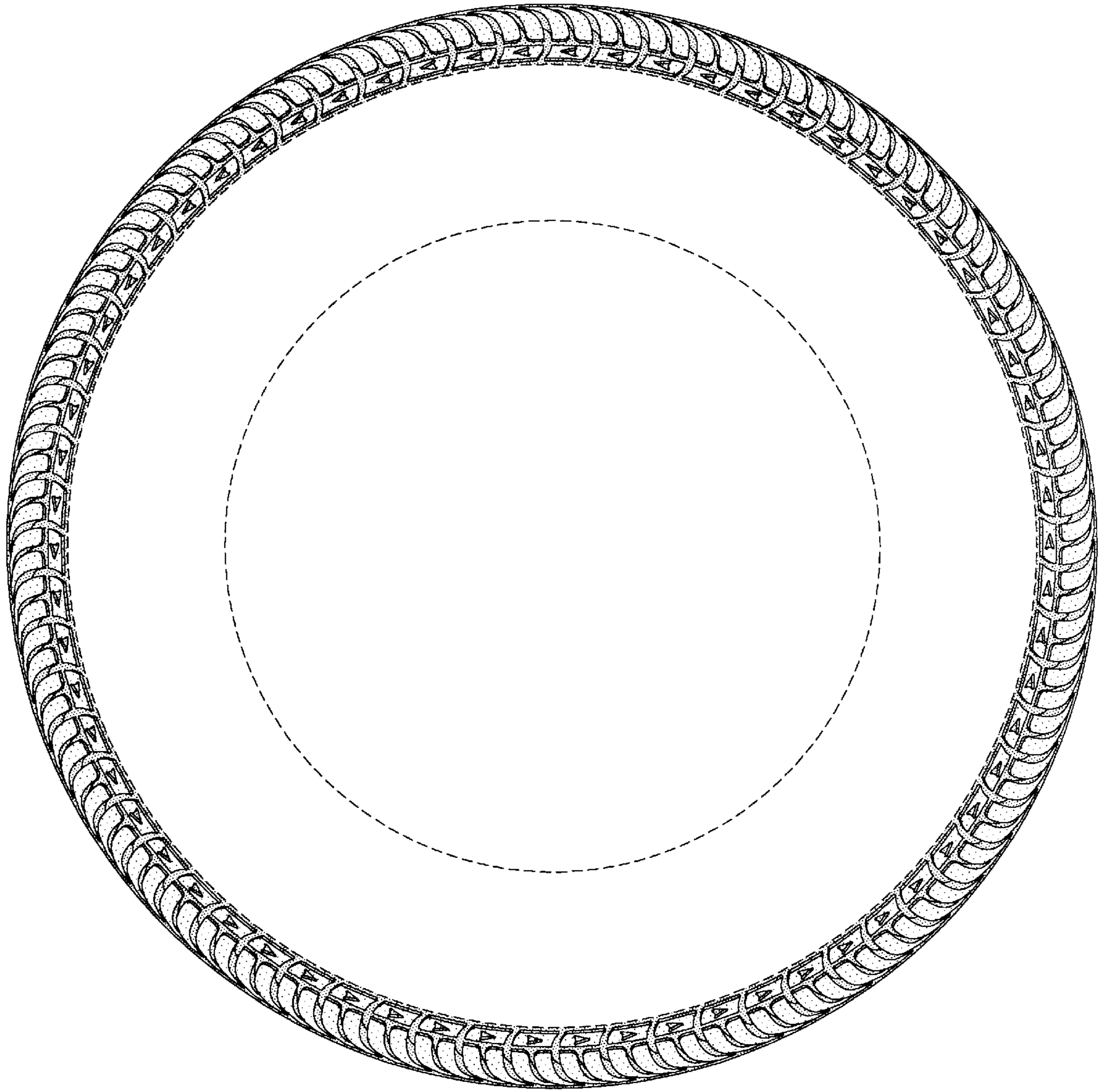


FIG-3

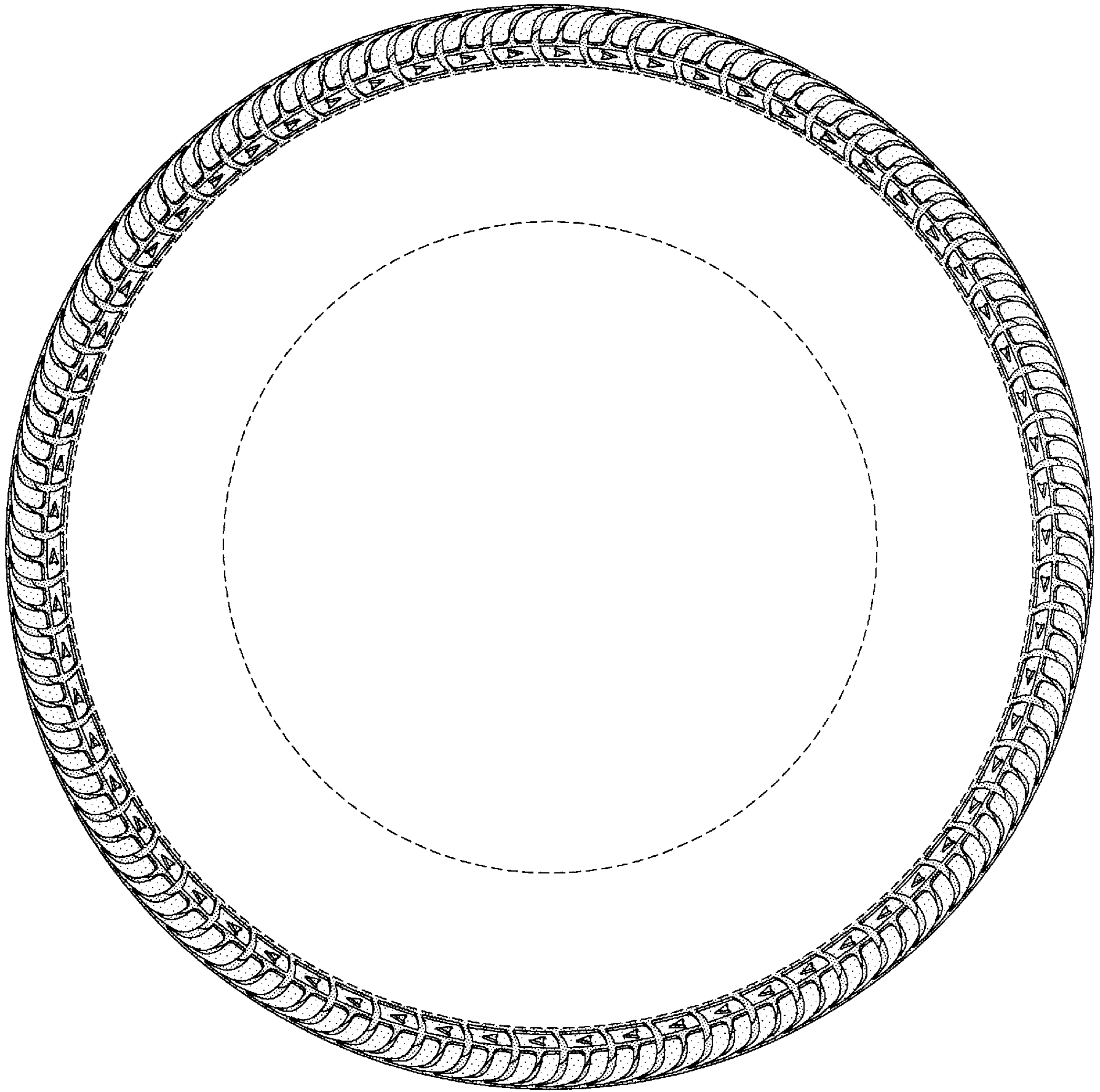


FIG-4

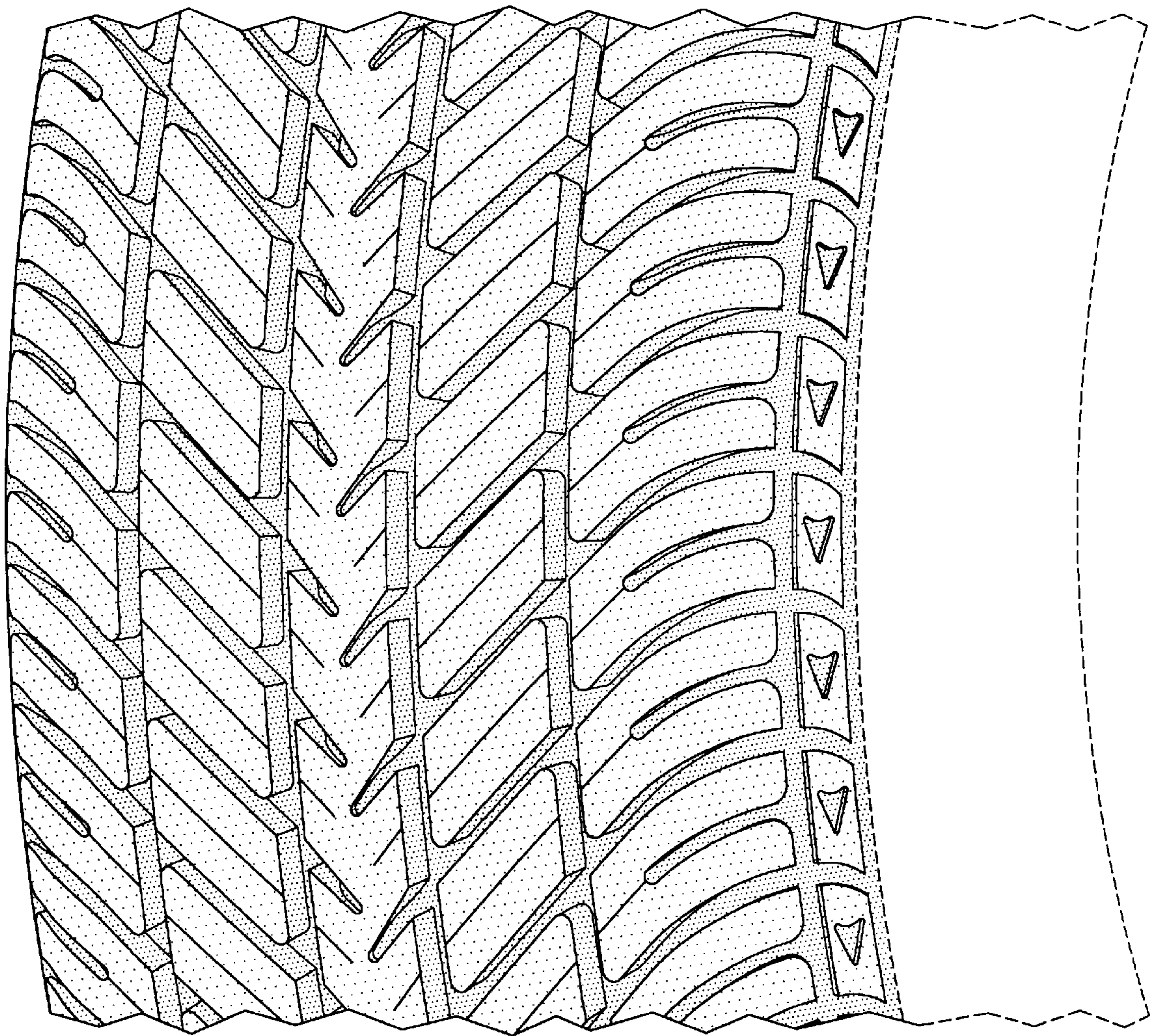


FIG-5