



US00D400129S

**United States Patent** [19]  
**Udelhoven**

[11] **Patent Number: Des. 400,129**

[45] **Date of Patent: \*\*Oct. 27, 1998**

[54] **BABY WALKER**

[75] Inventor: **Gerald W. Udelhoven**, 10513 County Rd. S, Blue River, Wis. 53518

[73] Assignee: **Gerald W. Udelhoven**, Blue River, Wis.

[\*\*] Term: **14 Years**

[21] Appl. No.: **78,461**

[22] Filed: **Oct. 27, 1997**

[51] **LOC (6) Cl.** ..... **12-12**

[52] **U.S. Cl.** ..... **D12/130; D21/414**

[58] **Field of Search** ..... D12/130, 128; D21/414, 412, 533, 534, 535, 536, 424, 425, 433, 357; 280/87.041, 87.021, 649, 43.23, 87.051; 297/6; D6/333

[56] **References Cited**

**U.S. PATENT DOCUMENTS**

- D. 142,299 8/1945 Fletcher ..... D12/130
- D. 204,252 4/1966 Hubel ..... D12/130
- D. 218,622 9/1970 Peltier ..... D21/412

- D. 340,210 10/1993 Veness ..... D12/130
- D. 355,939 2/1995 Meeker et al. .... D12/130
- D. 371,397 7/1996 Webster ..... D21/68
- 3,515,404 6/1970 Perego ..... 280/87.2
- 4,621,804 11/1986 Mueller ..... 272/70.3
- 5,324,064 6/1994 Sumser et al. .... 280/649
- 5,429,378 7/1995 Durel-Crain ..... 280/43.22

*Primary Examiner*—Kay H. Chin  
*Attorney, Agent, or Firm*—Lathrop & Clark

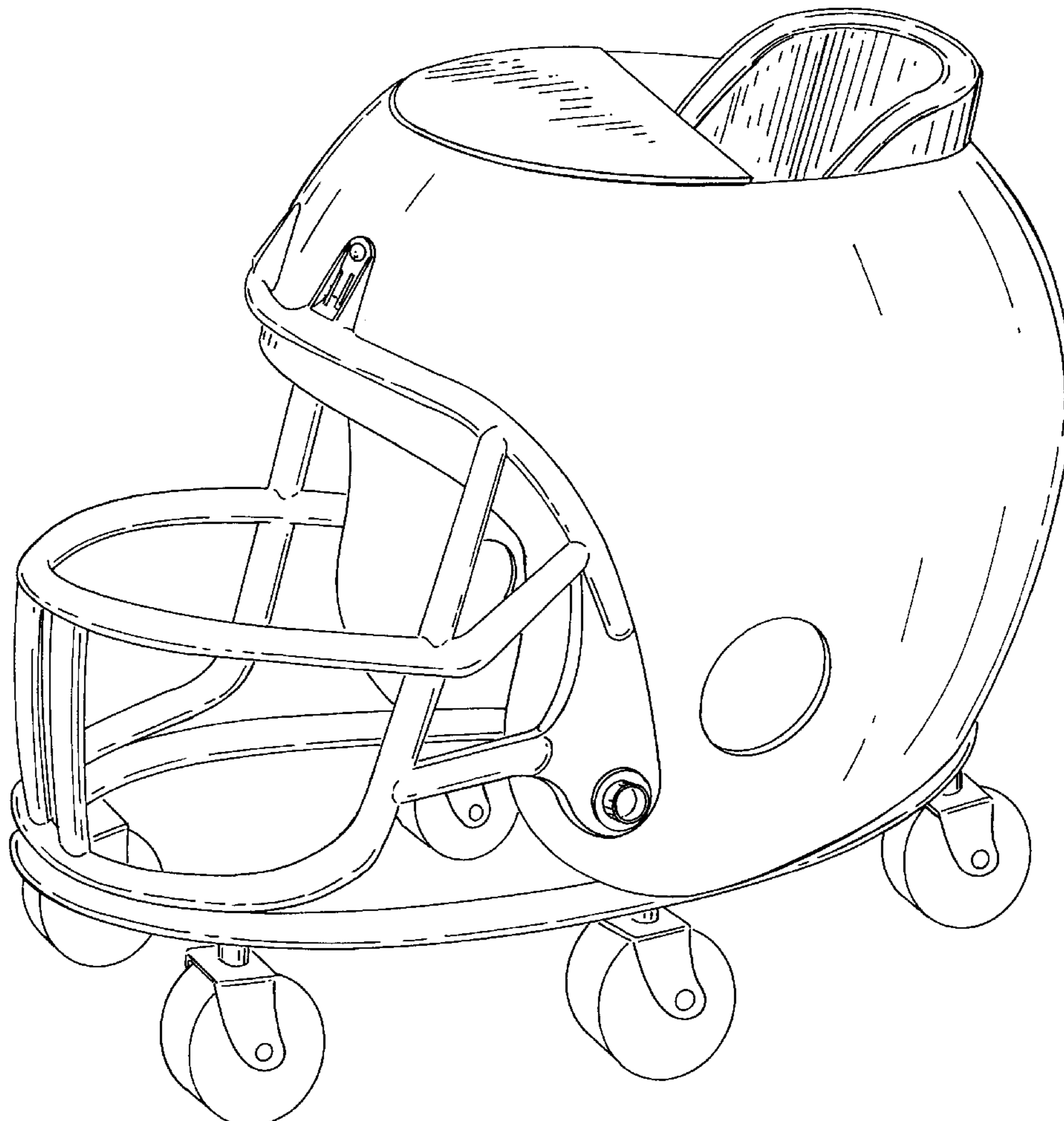
[57] **CLAIM**

The ornamental design for a baby walker, as shown and described.

**DESCRIPTION**

FIG. 1 is a front perspective view of the baby walker design of my invention;  
FIG. 2 is a top plan view thereof;  
FIG. 3 is a bottom plan view thereof;  
FIG. 4 is front elevational view thereof;  
FIG. 5 is rear elevational view thereof;  
FIG. 6 is a left side elevational view thereof, the side opposite being a mirror image thereof.

**1 Claim, 6 Drawing Sheets**



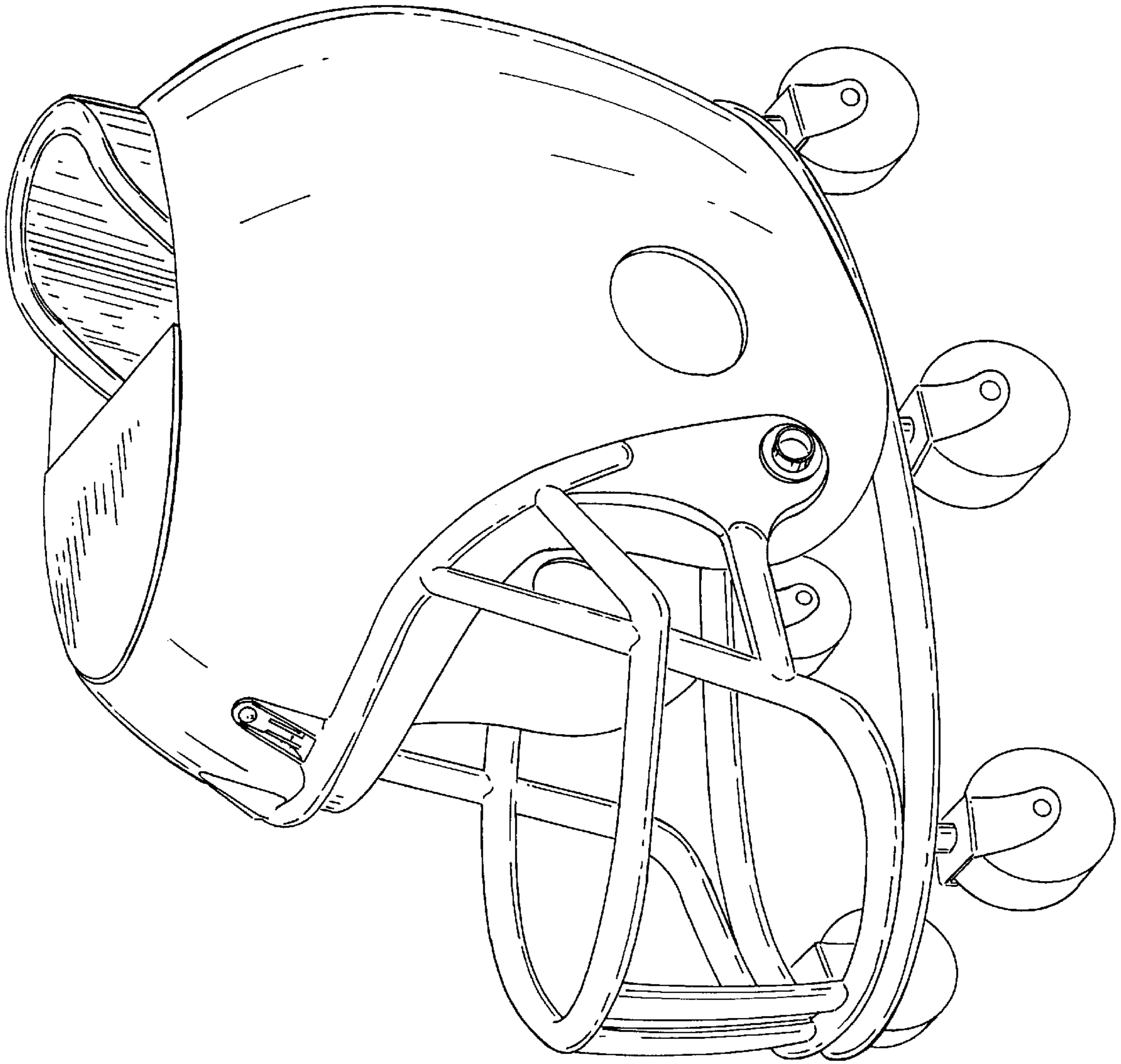


FIG. 1

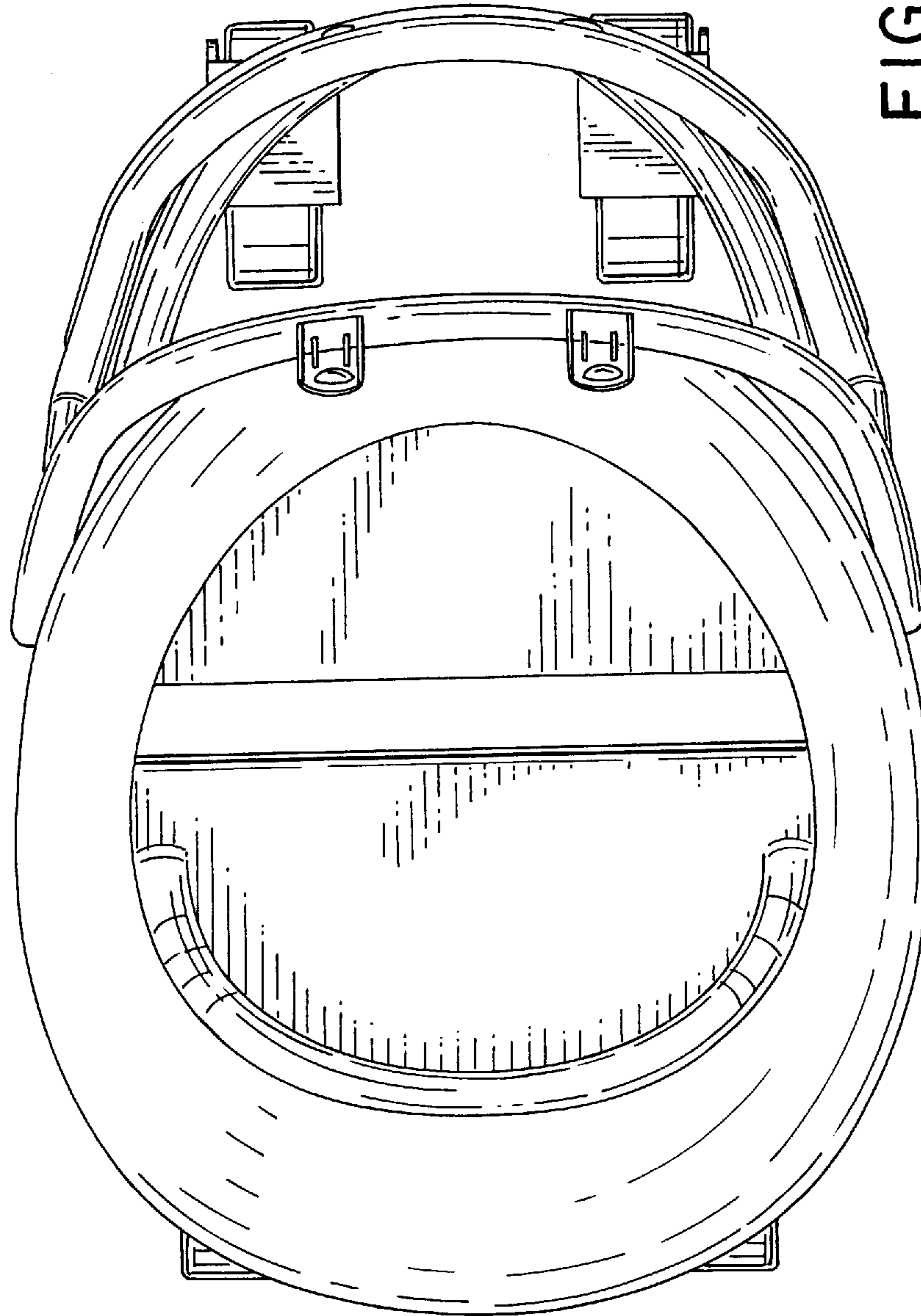
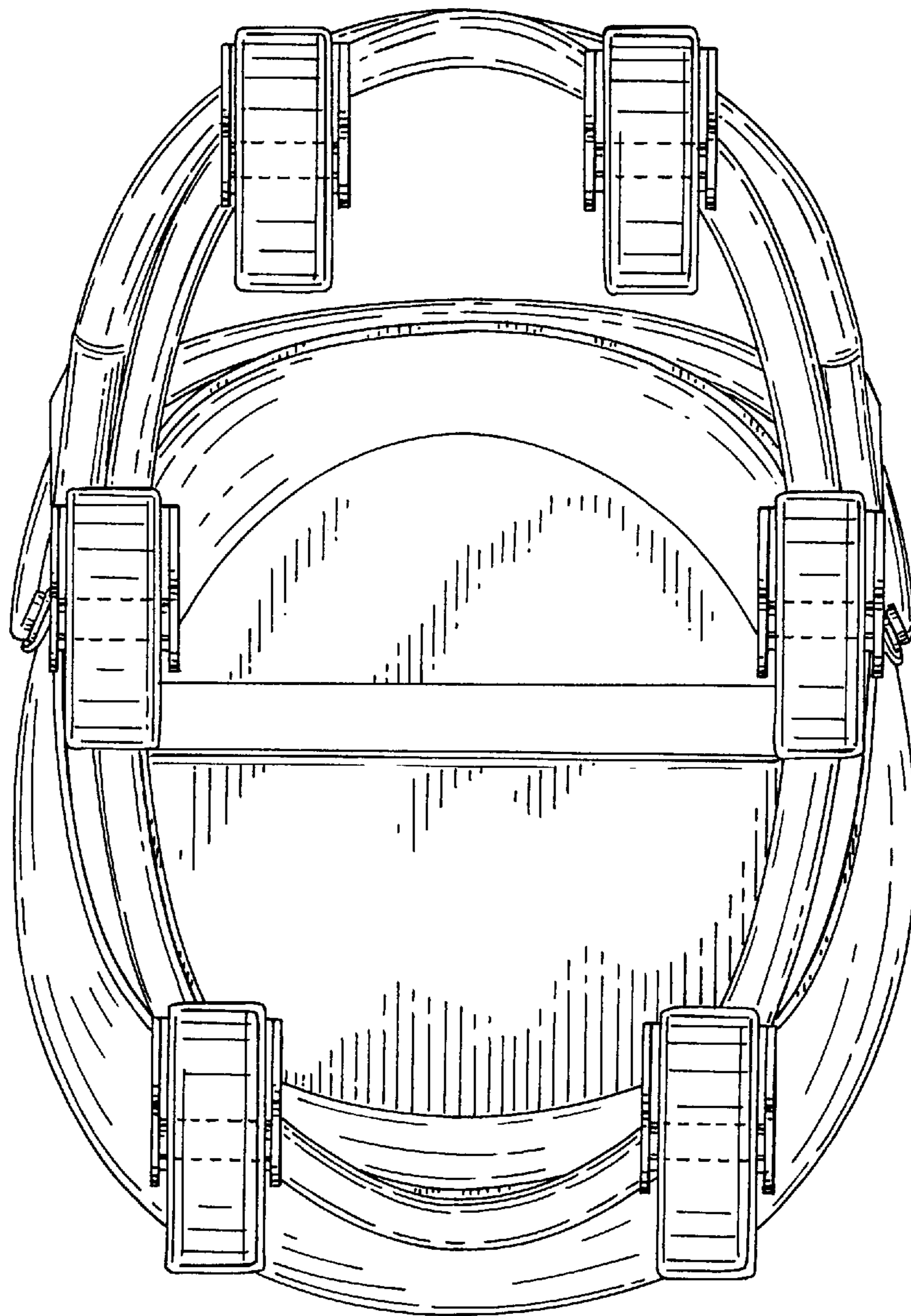


FIG. 2

FIG. 3





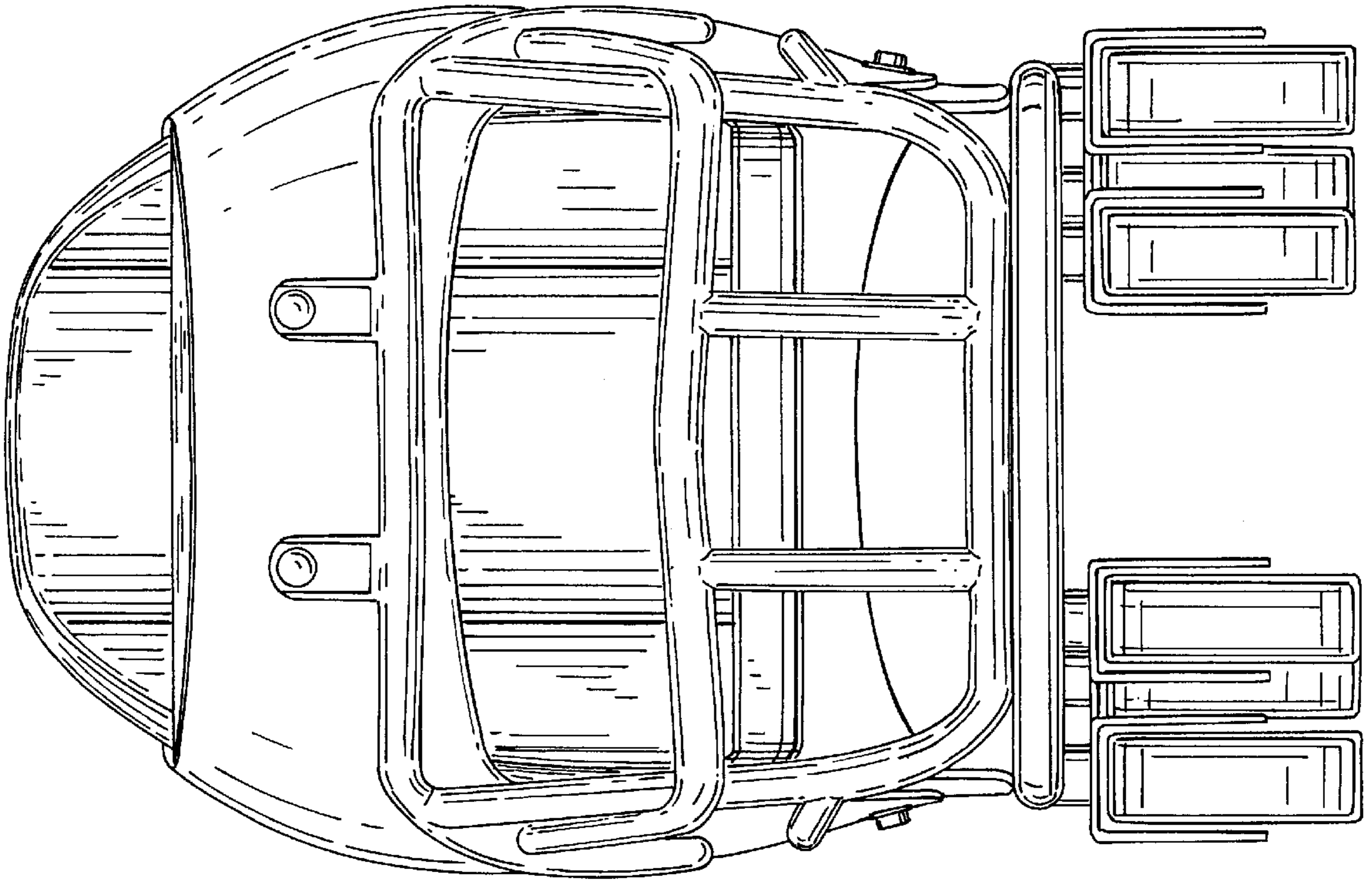


FIG. 4

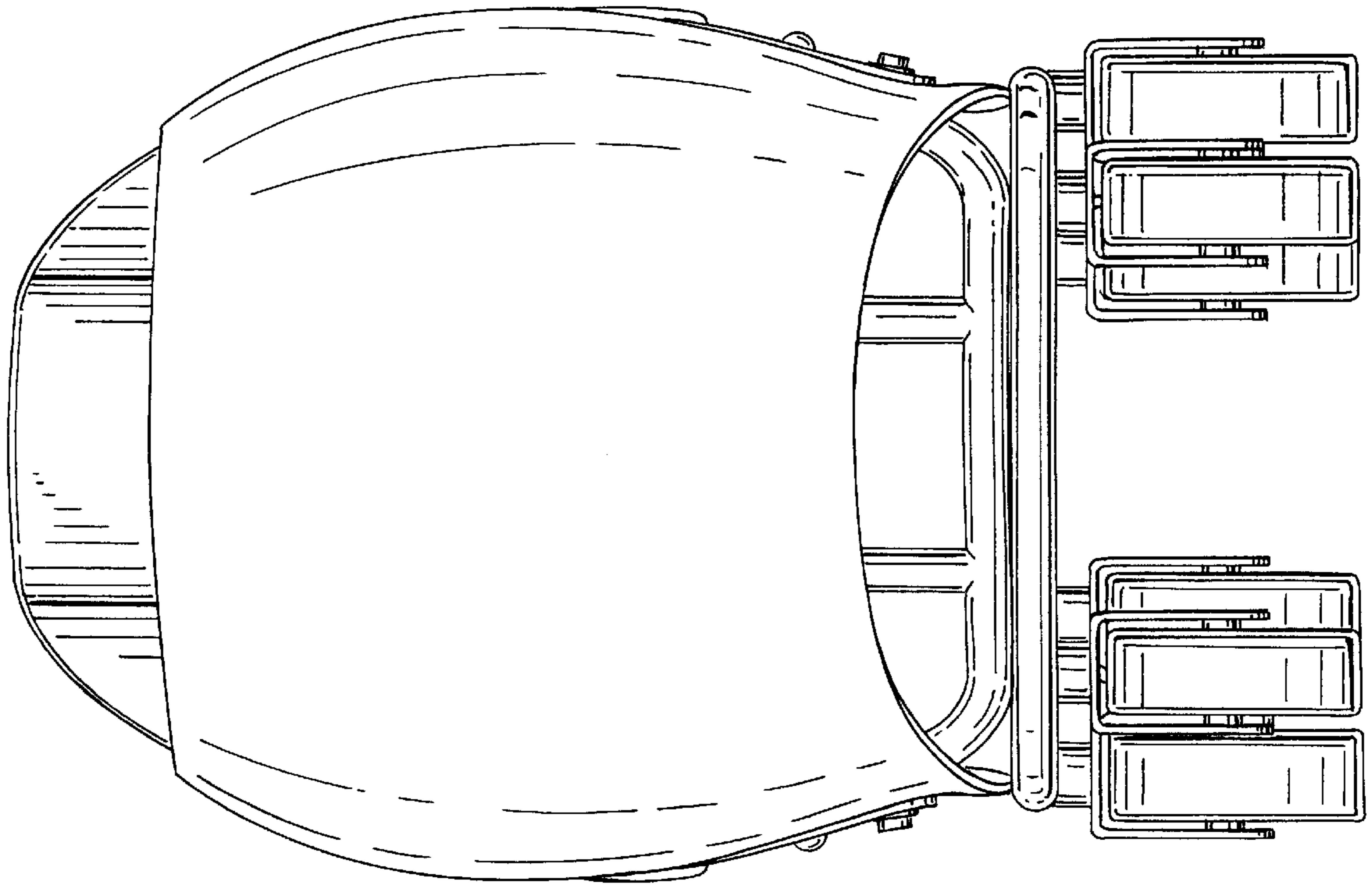


FIG. 5

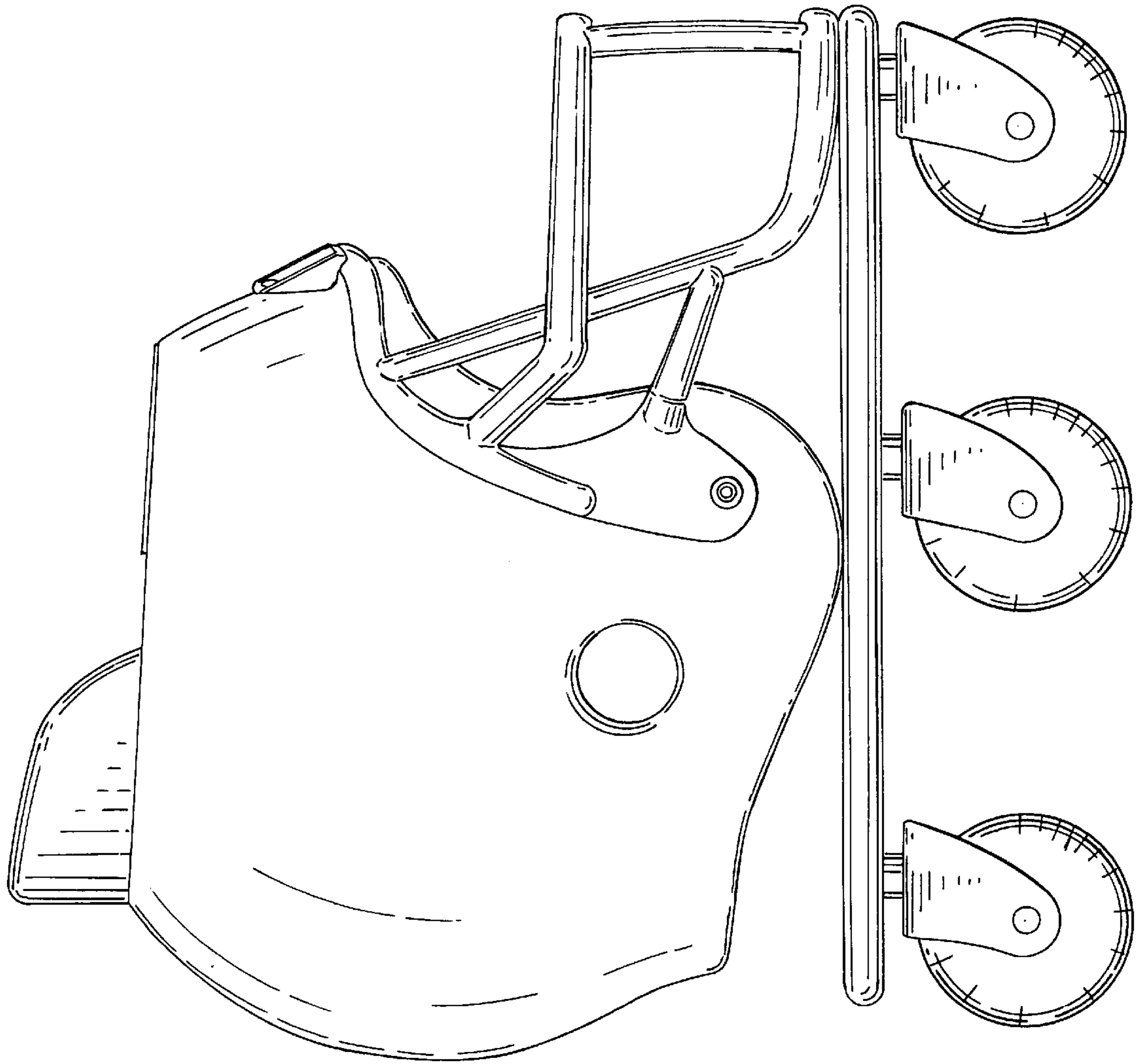


FIG. 6