



US00D400128S

United States Patent [19]

Golden et al.

[11] Patent Number: Des. 400,128

[45] Date of Patent: **Oct. 27, 1998

[54] MOTORCYCLE CAM COVER MEDALLION

[75] Inventors: Earl F. Golden, Milwaukee; William G. Davidson, Delafield, both of Wis.

[73] Assignee: Harley-Davidson Motor Company, Milwaukee, Wis.

[**] Term: 14 Years

[21] Appl. No.: 76,813

[22] Filed: Sep. 18, 1997

[51] LOC (6) Cl. 12-11

[52] U.S. Cl. D12/126

[58] Field of Search D12/126, 114; 280/288.4; 180/219

[56] **References Cited**

U.S. PATENT DOCUMENTS

D. 294,923 3/1988 Nogy D12/126

OTHER PUBLICATIONS

Drug Specialties catalog p. 216, the Two Wheel Thunder Aluminum Derby Cover, D5375600 ©1995.
1996 Harley Davidson Genuine Motor Accessories catalog, pp. 152 and 153.

Harley Davidson 1994 Custom Chrome Catalog, pp. 338, 339 and 340.

Harley Davidson 1993 Parts and Accessories catalog, p. 7.
Harley Davidson 1992 Genuine Accessores catalog, pp. 88 and 89.

Harley Davidson 1991 Custom Chrome catalog, pp. 214 and 215.

Primary Examiner—Melody N. Brown
Attorney, Agent, or Firm—Michael, Best & Friedrich LLP

[57] **CLAIM**

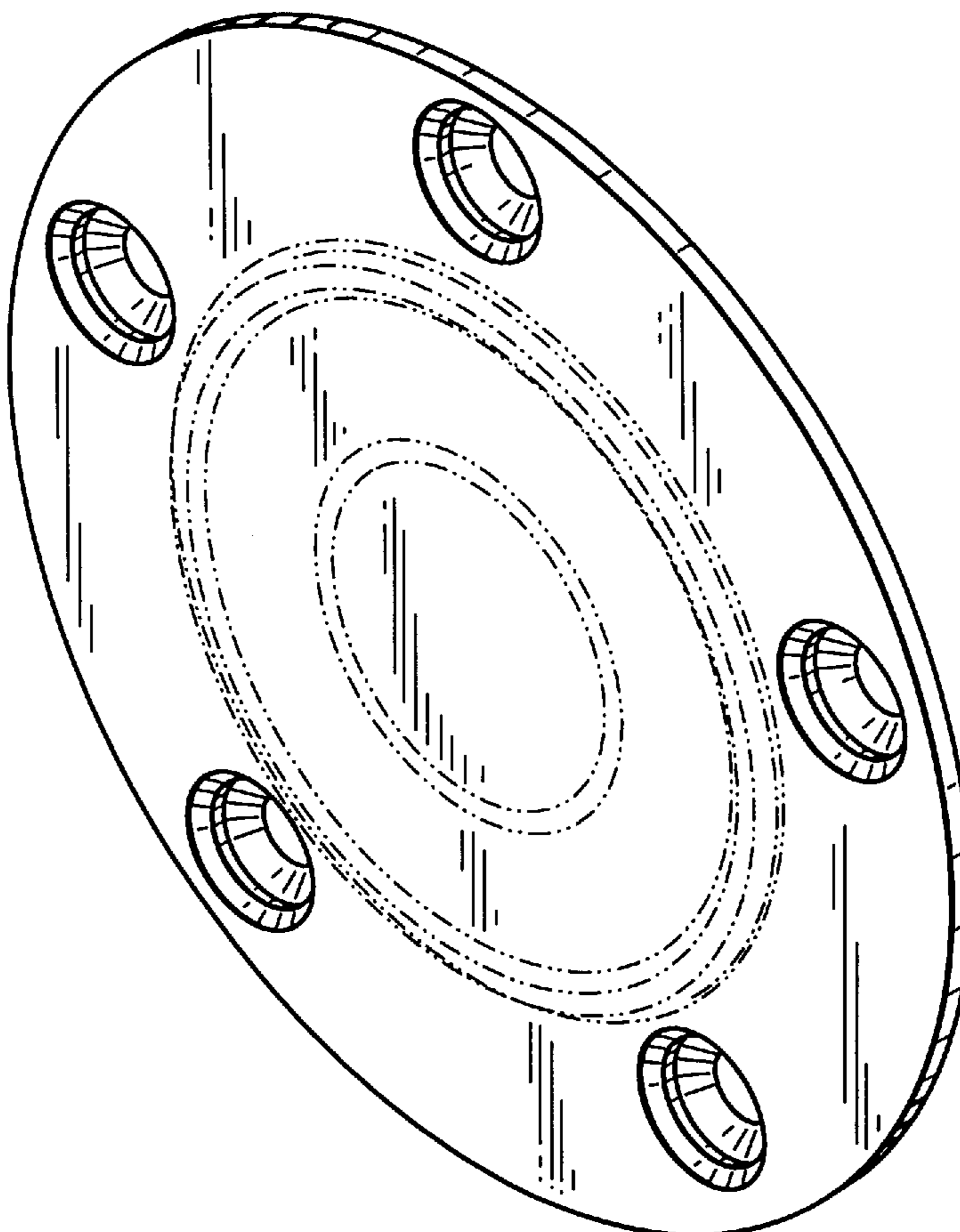
The ornamental design for a motorcycle cam cover medallion, as shown.

DESCRIPTION

FIG. 1 is a perspective view of a motorcycle cam cover medallion showing our new design;
FIG. 2 is a top plan view thereof;
FIG. 3 is a bottom plan view thereof;
FIG. 4 is a front end elevational view thereof; and,
FIG. 5 is a right end elevational view thereof.

The broken lines shown in all drawing views are for illustrative purposes only and form no part of the claimed design.

1 Claim, 2 Drawing Sheets



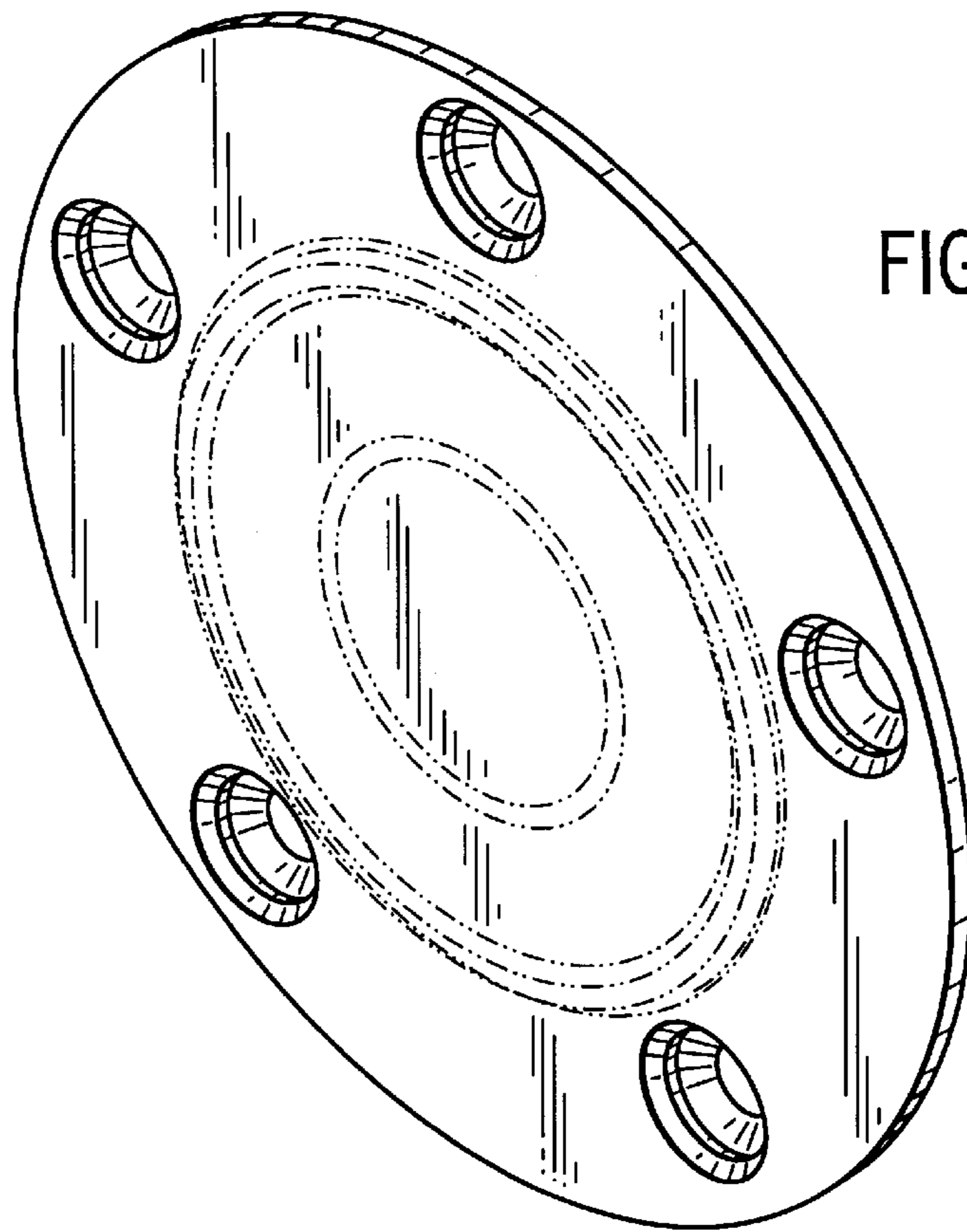


FIG. 1

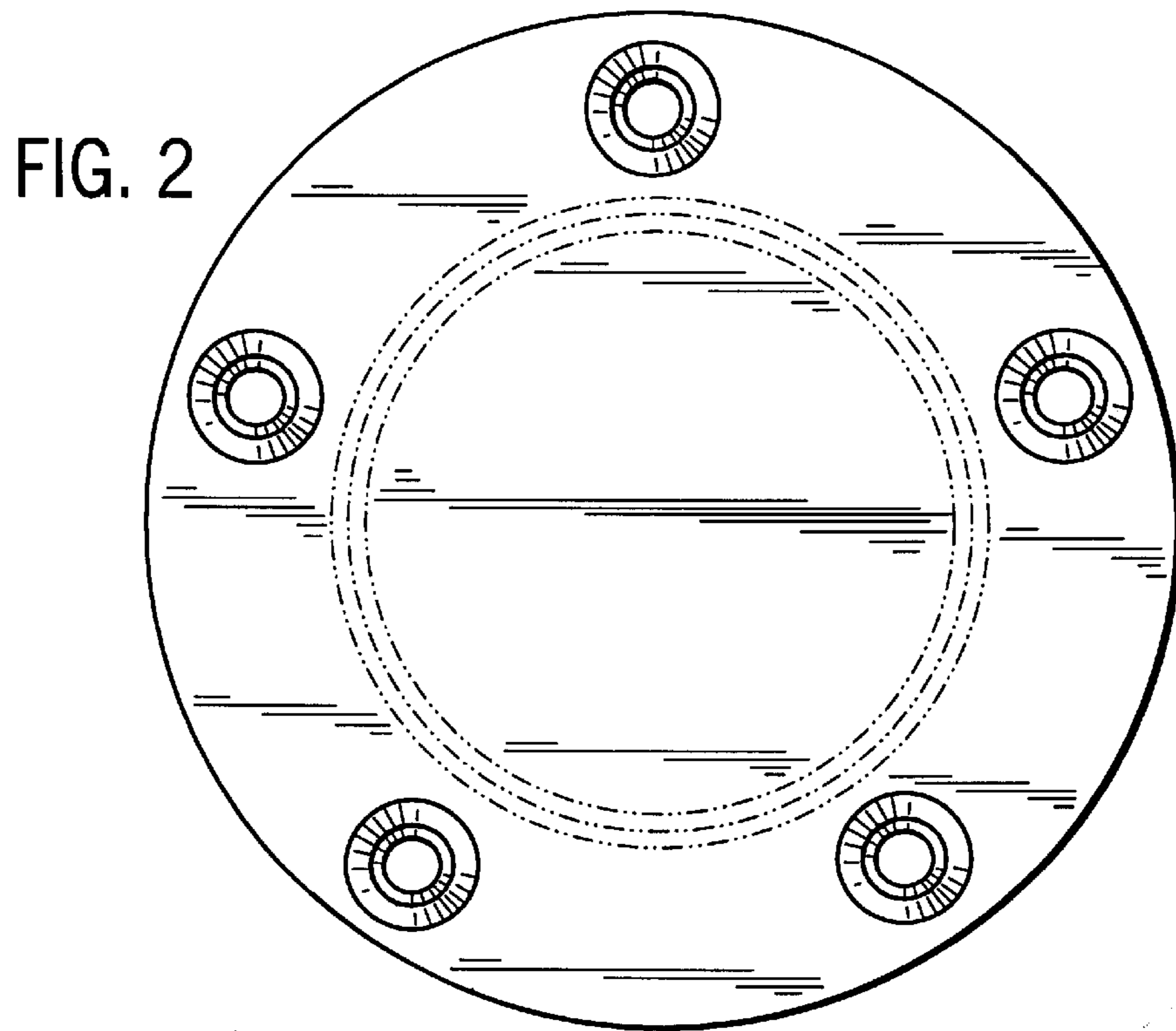


FIG. 2

FIG. 3

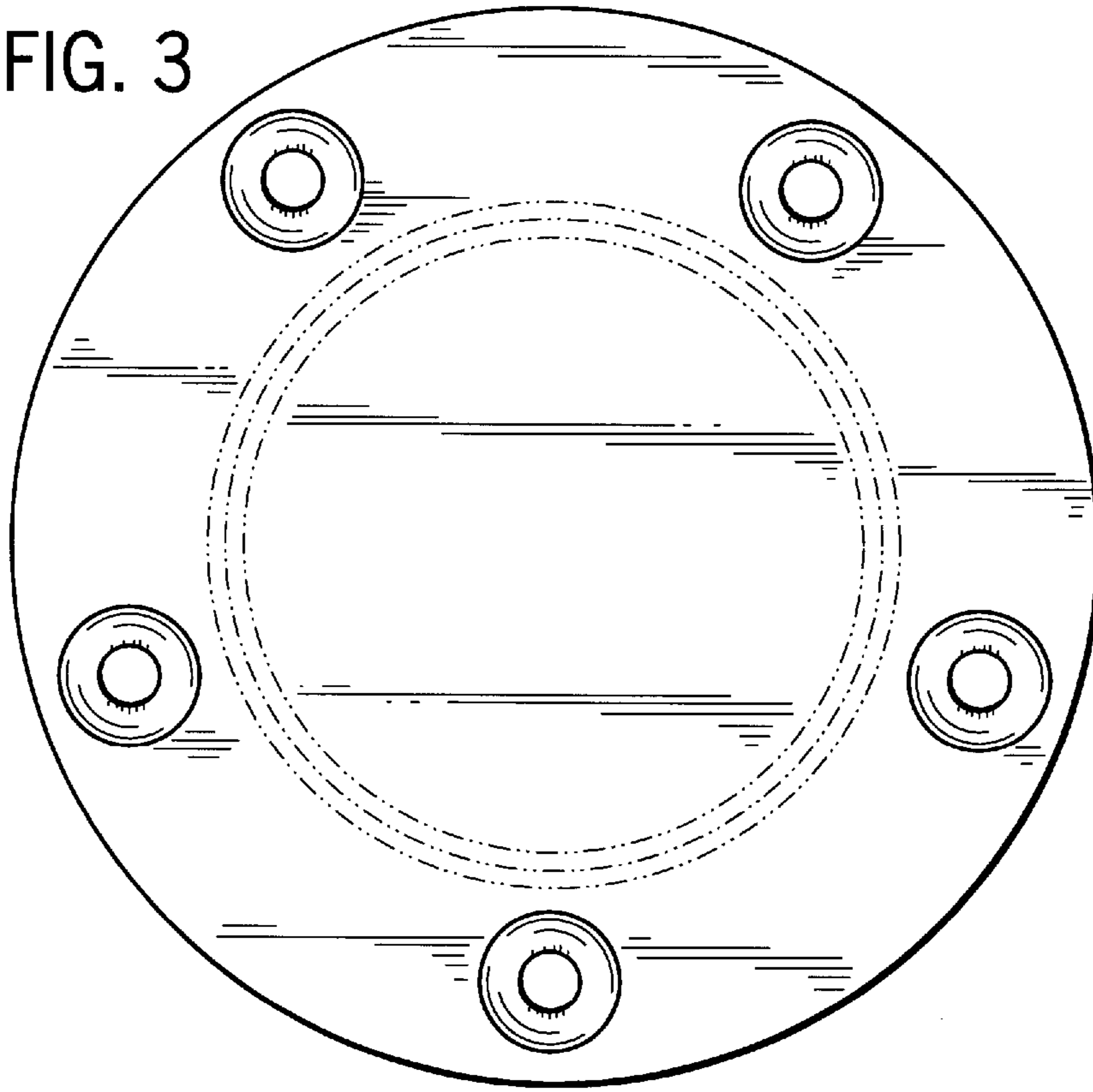


FIG. 4

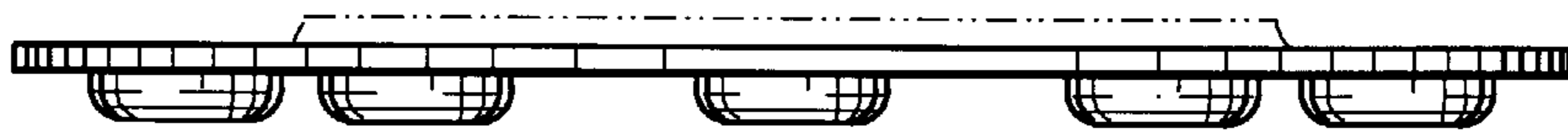


FIG. 5

