

US00D400124S

United States Patent [19]

[11] **Patent Number: Des. 400,124**

Mason et al.

[45] **Date of Patent: **Oct. 27, 1998**

[54] **TRUCK BODY**

[75] Inventors: **Robert D. Mason**, Hanover Park, Ill.;
Dennis Otto, Elkhart, Ind.; **Christian Pourias**, Vauhallaan, France

[73] Assignee: **Elgin Sweeper Co.**, Elgin, Ill.

[**] Term: **14 Years**

[21] Appl. No.: **69,474**

[22] Filed: **May 5, 1997**

[51] **LOC (6) Cl.** **12-08**

[52] **U.S. Cl.** **D12/93**

[58] **Field of Search** D12/96, 14, 190,
D12/15; 296/19, 183

DAF Scarab Major 5000 sales brochure (undated). Date are prior to the filing date of this application.
Sweeprite 2200 sales brochure (undated). Date are prior to the filing date of this application.
VAC/ALL VSS 812 sales brochure (undated). Date are prior to the filing date of this application.
Peabody Myers Alpha 350 sales brochure (undated). Date are prior to the filing date of this application.
Dulevo 200/250 sales brochure (undated). Date are prior to the filing date of this application.
Moro SM 4100 sales brochure (undated). Date are prior to the filing date of this application.
Schwarze/AAPLEX 7000 sales brochure (undated). Date are prior to the filing date of this application.

(List continued on next page.)

[56] **References Cited**

U.S. PATENT DOCUMENTS

D. 241,566	9/1976	Roberts	D12/93
D. 270,245	8/1983	Collins	D12/96
D. 322,419	12/1991	Camilliere	D12/96 X
D. 376,772	12/1996	Martin	D12/96
4,569,554	2/1986	Doggen	296/183 X
5,131,714	7/1992	Evans, Sr. et al.	296/183
5,180,205	1/1993	Shoop	296/181

OTHER PUBLICATIONS

Pfau-Johnston KSA-550 sales brochure (undated). Date are prior to the filing date of this application.
Bucher-Schörling Road Sweepers sales brochure (undated). Date are prior to the filing date of this application.
Kroll twin-engine sales brochure (undated). Date are prior to the filing date of this application.
Schörling-Super sales brochure (undated). Date are prior to the filing date of this application.
Faun SKS-Lift 2000 sales brochure (undated). Date are prior to the filing date of this application.
Faun envitec tornado sales brochure (undated). Date are prior to the filing date of the application.
Athey Mobil Sweeper sales brochure (undated). Date are prior to the filing date of this application.
Athey Topgun Mobil Sweeper Model M-9A sales brochure (undated). Date are prior to the filing date of this application.

Primary Examiner—Melody N. Brown
Attorney, Agent, or Firm—Finnegan, Henderson, Farabow, Garrett & Dunner, L.L.P.

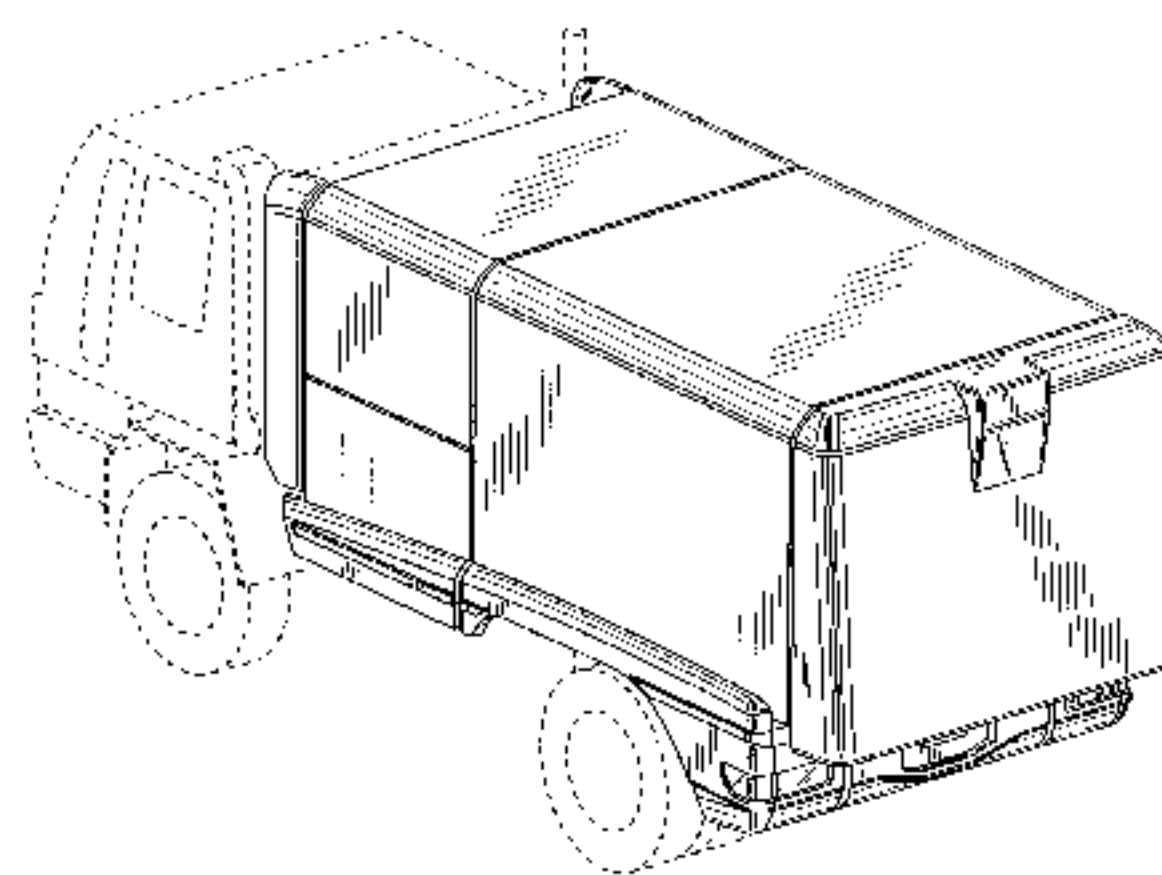
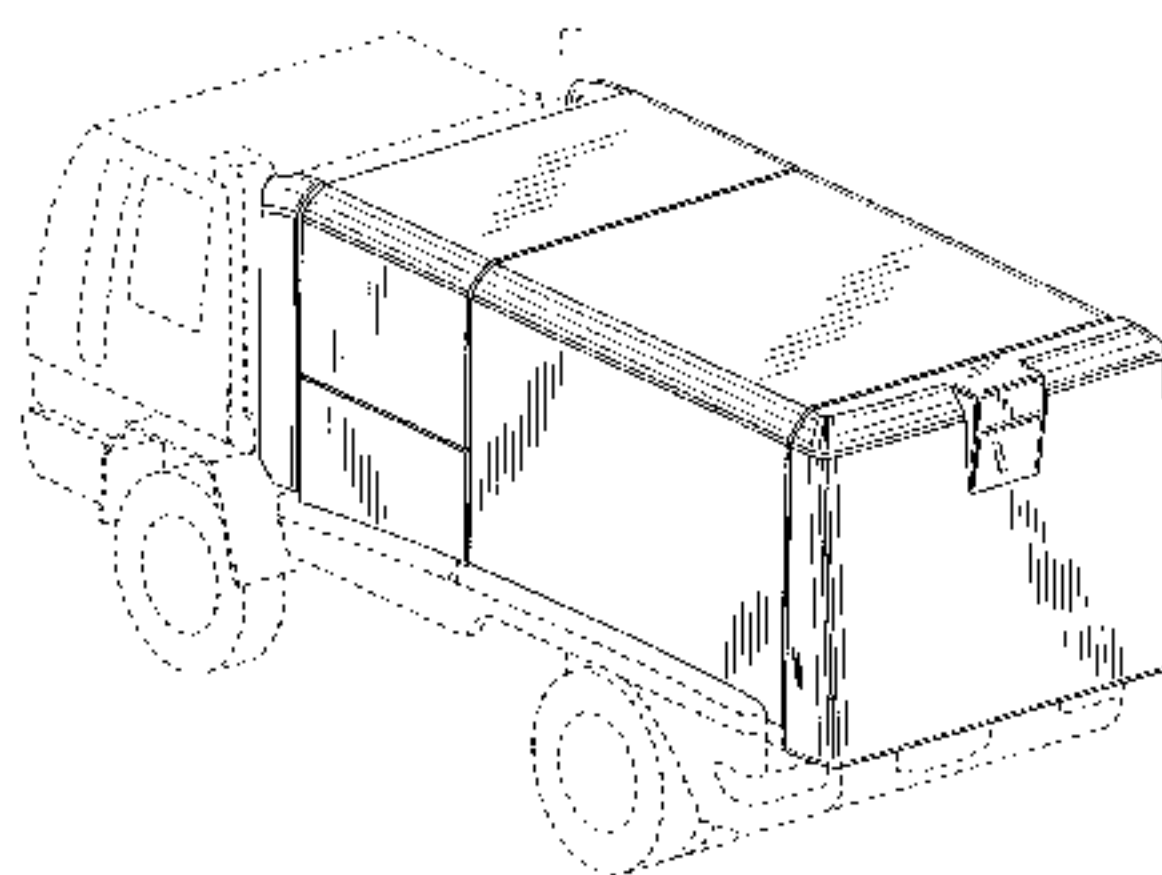
[57] **CLAIM**

The ornamental design for a truck body, as shown and described.

DESCRIPTION

FIG. 1 is a perspective view of a truck body embodying our design;
FIG. 2 is a left side elevational view thereof, the right side elevational view being a mirror image of the left side elevational view;
FIG. 3 is a top plan view thereof;
FIG. 4 is a rear elevational view thereof;
FIG. 5 is a perspective view of a second embodiment of our design;
FIG. 6 is a left side elevational view of FIG. 5, the right side elevational view being a mirror image of the left side elevational view;
FIG. 7 is a top plan view of FIG. 5; and,
FIG. 8 is a rear elevational view of FIG. 5.
The broken lines of FIGS. 1 and 5 do not form any part of claimed design and are included to show environment only.

1 Claim, 8 Drawing Sheets



OTHER PUBLICATIONS

Murphy Sweeper sales brochure (undated). Date are prior to the filing date of this application.

Johnston 705 Series sales brochure (undated). Date are prior to the filing date of this application.

Schwarze Supervac 3441 sales brochure (undated). Date are prior to the filing date of this application.

Tymco Regenerative Air Sweepers sales brochure (undated). Date are prior to the filing date of this application.

Ravo 2005 sales brochure (undated). Date are prior to the filing date of this application.

Ravo 8000 sales brochure (undated). Date are prior to the filing date of this application.

Elgin Sweeper Guidebook sales brochure (Apr. 1997).

Elgin S.W.A.T. Team sales brochure (1995).

Elgin HiWind sales brochure (1995).

Elgin Dustless Sweeper (EDS) sales brochure (Aug. 1996).

Elgin Crosswind sales brochure (Nov. 1995).

Elgin Sunvac III sales brochure (Nov. 1995).

Elgin Eagle sales brochure (Sep. 1995).

Elgin Airport/Runway Sweepers sales brochure (Jan. 1993).

Elgin Whirlwind sales brochure (Apr. 1996).

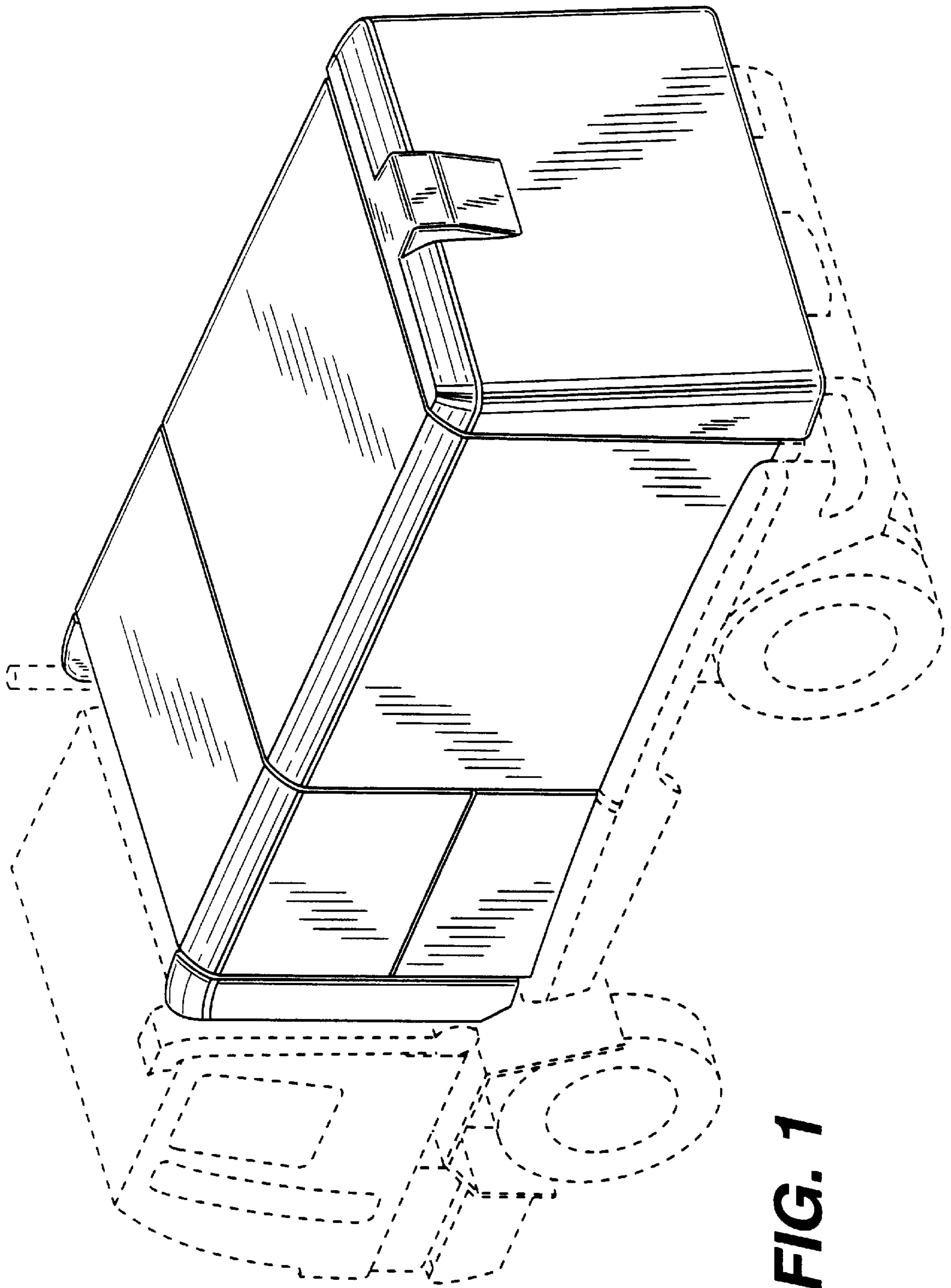


FIG. 1

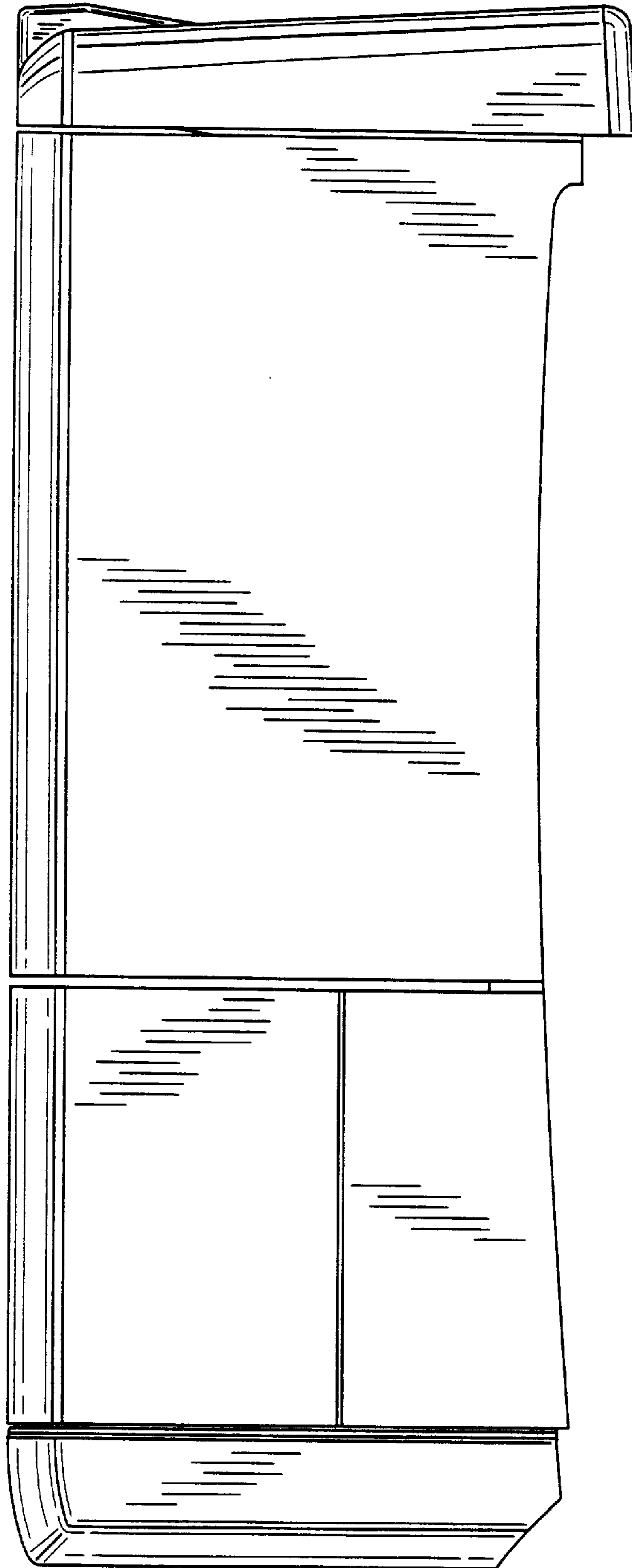


FIG. 2

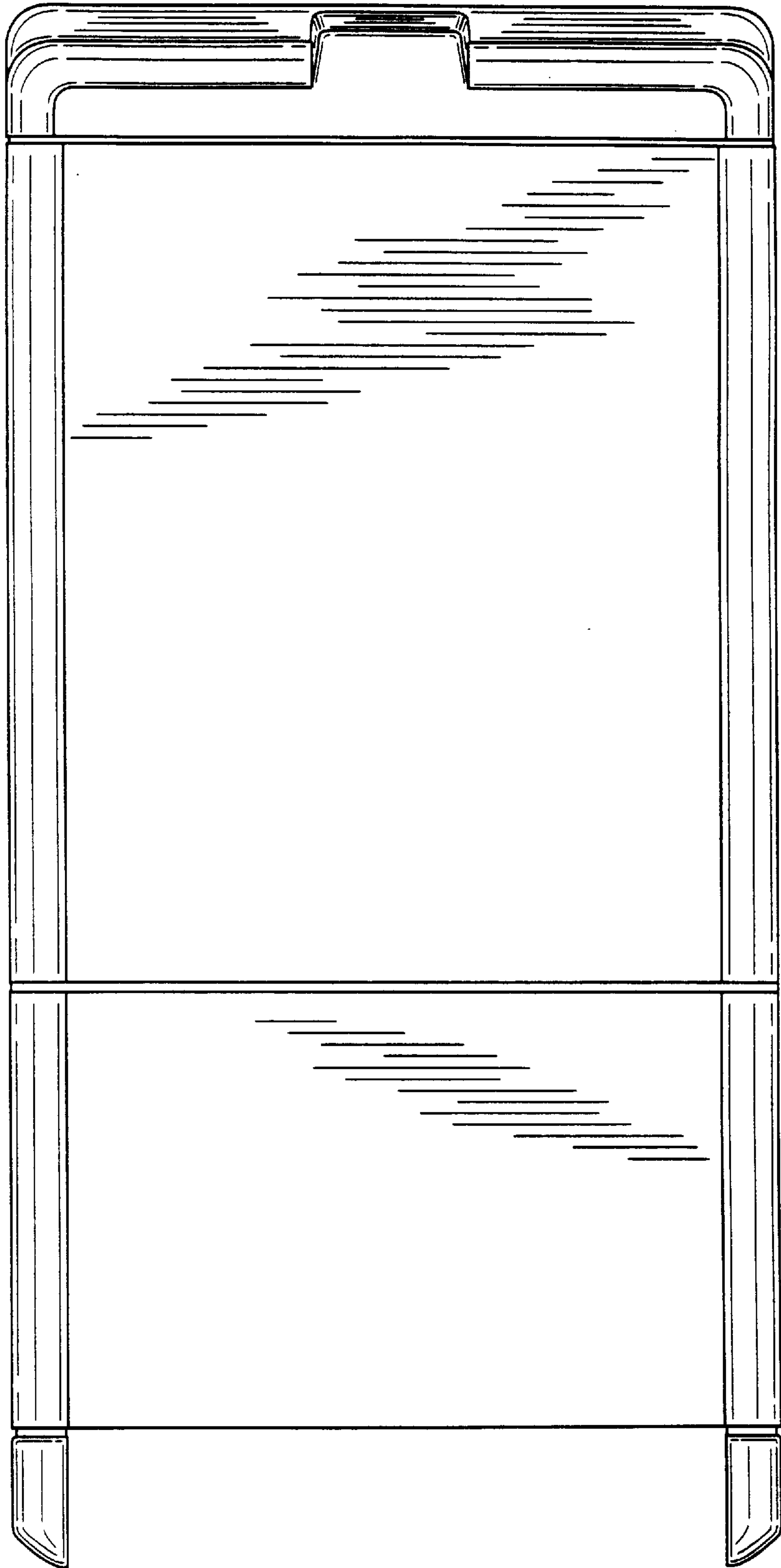


FIG. 3

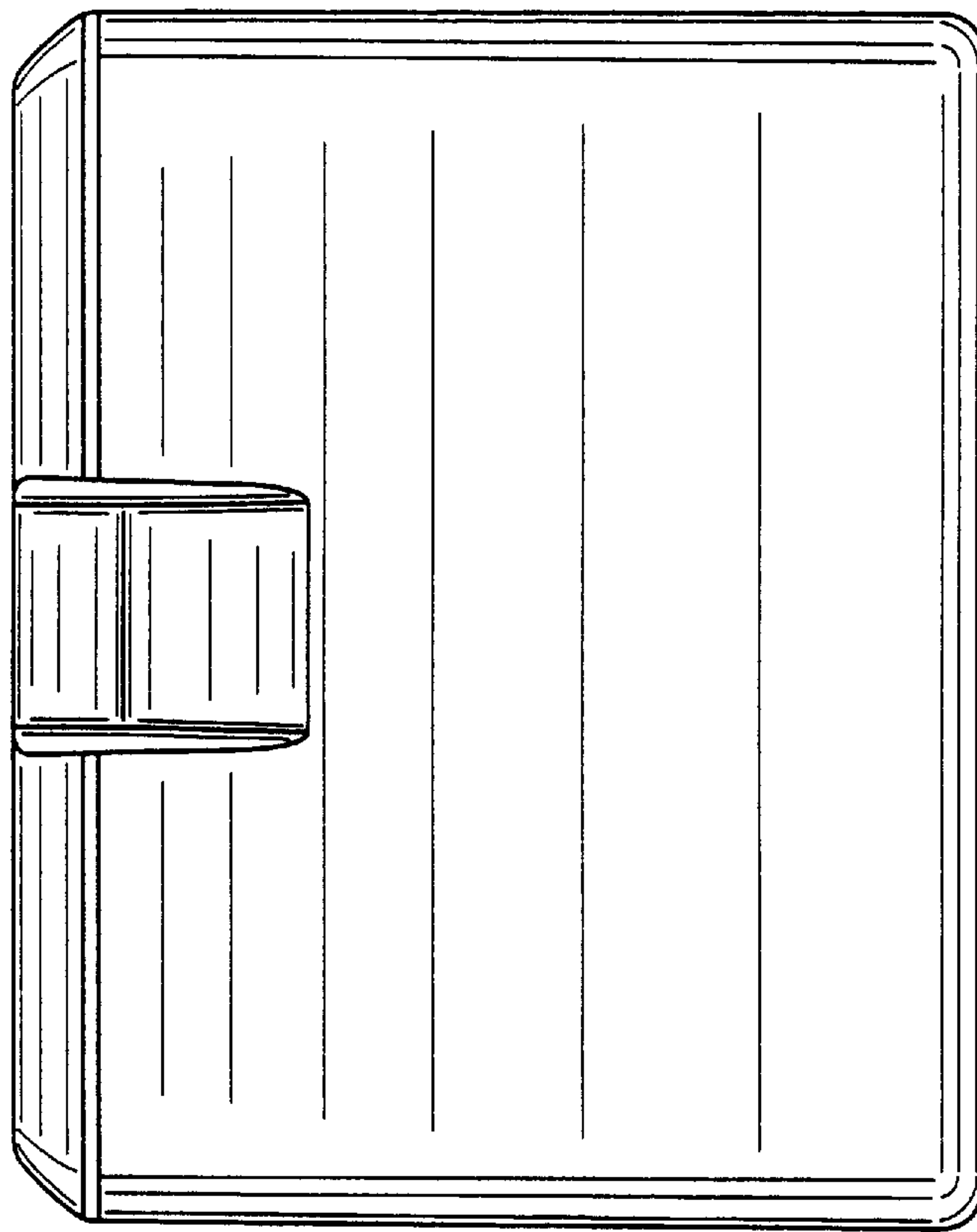


FIG. 4

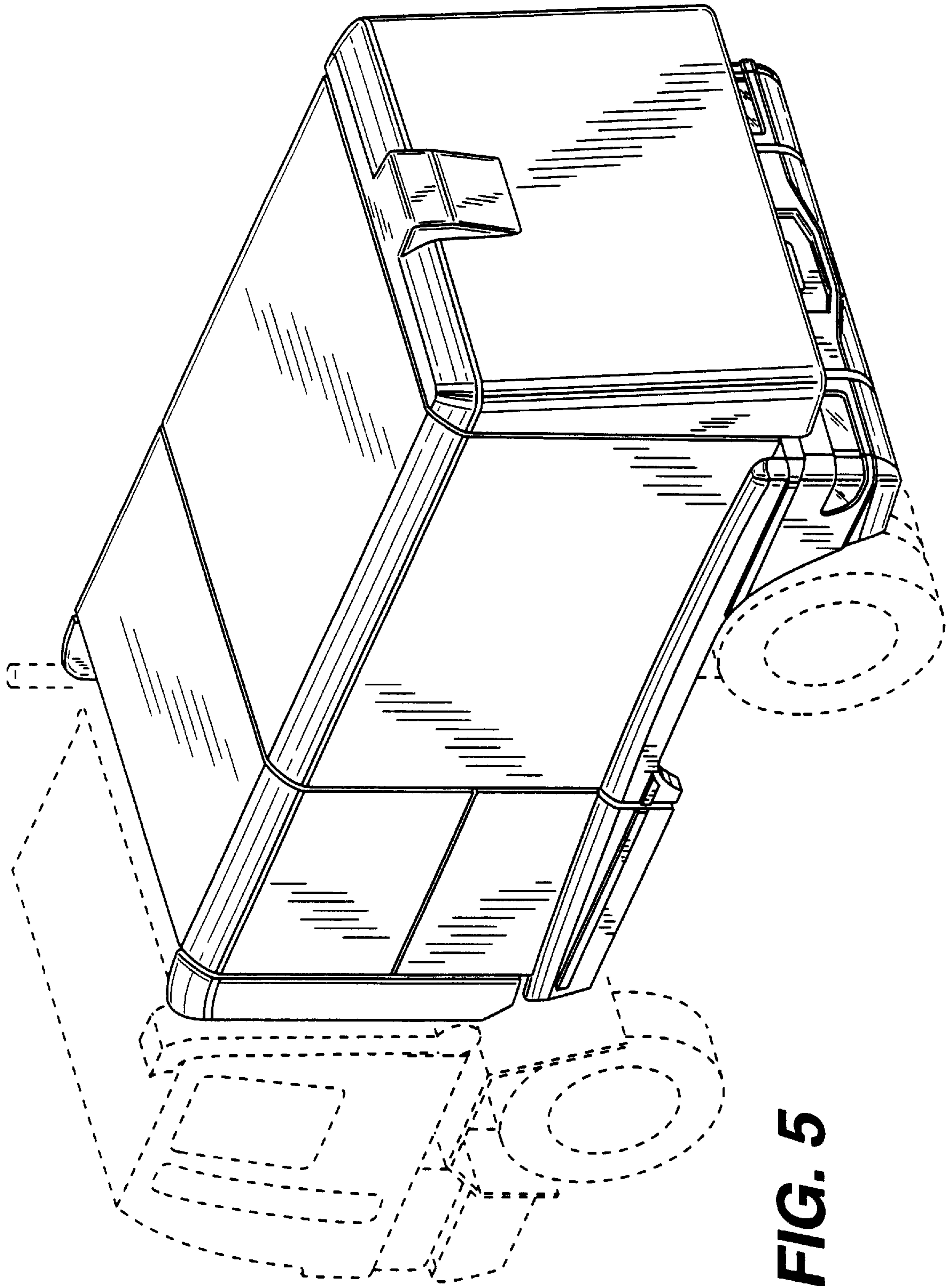


FIG. 5

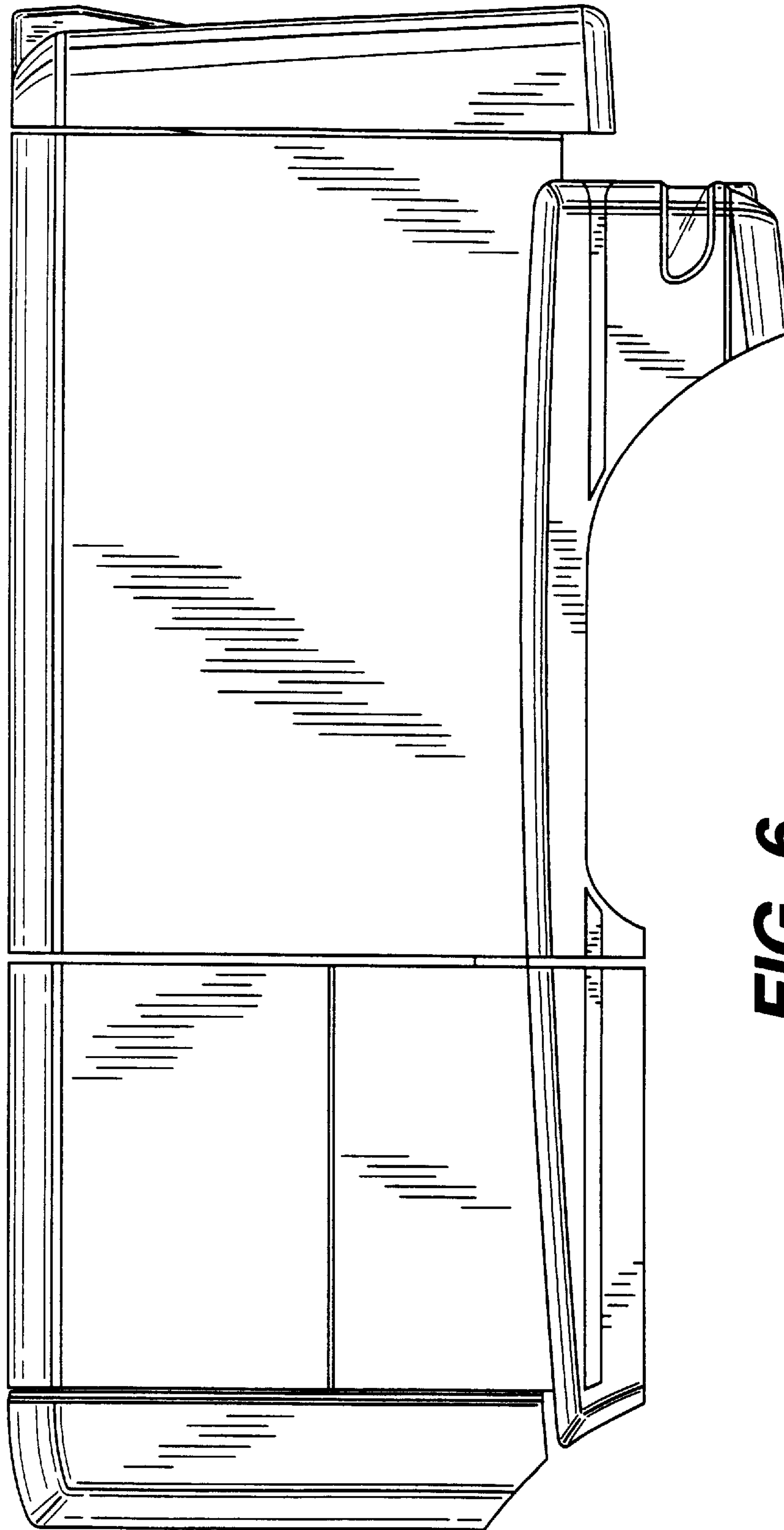


FIG. 6

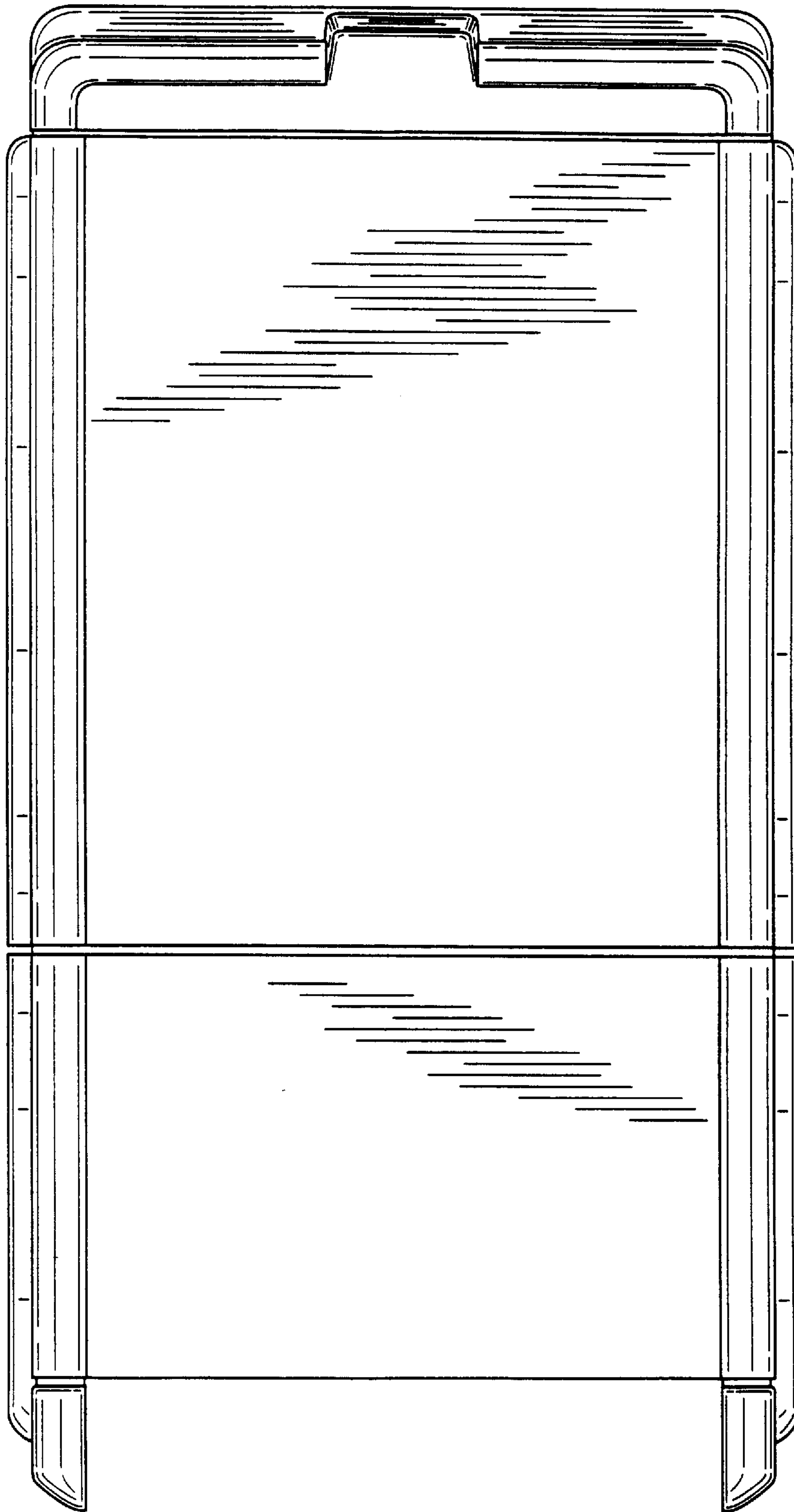


FIG. 7

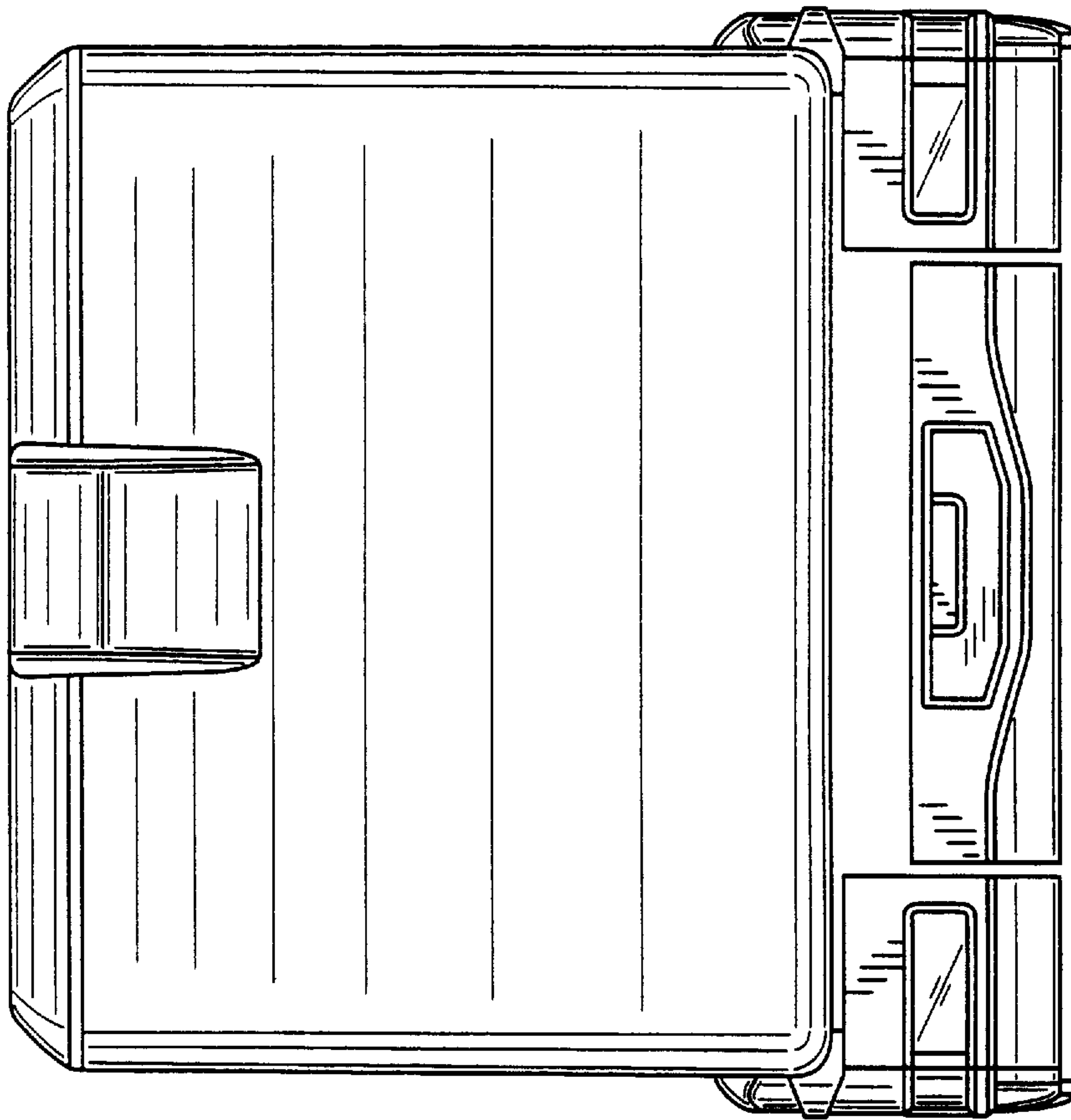


FIG. 8