



US00D400117S

United States Patent [19]
Fischer

[11] **Patent Number: Des. 400,117**

[45] **Date of Patent: **Oct. 27, 1998**

[54] **WATCH DIAL**

901,822 10/1908 Paqueite .

[75] Inventor: **Félix Fischer**, Grenchen, Switzerland

Primary Examiner—Nelson C. Holtje
Attorney, Agent, or Firm—Trademark & Patent Counselors
of America; Irving M. Fishman; Michael J. Brown

[73] Assignee: **Juvenia Montres, S.A.**, La
Chaux-de-Fonds, Switzerland

[**] Term: **14 Years**

[57] **CLAIM**

I claim the ornamental design for the watch dial, as shown
and described.

[21] Appl. No.: **76,425**

[22] Filed: **Sep. 9, 1997**

DESCRIPTION

[30] **Foreign Application Priority Data**

Mar. 12, 1997 [XH] Hague Agreement DM/039 492

FIG. 1 is a top view of the new ornamental watch dial of the
present invention;

[51] **LOC (6) Cl.** **10-02**

FIG. 2 is a bottom view of the new ornamental watch dial
shown in FIG. 1;

[52] **U.S. Cl.** **D10/124**

FIG. 3 is a front view of the new ornamental watch dial
shown in FIG. 1;

[58] **Field of Search** D10/1-40, 122-132;
368/223, 228, 232, 233, 238

FIG. 4 is a right side view of the new ornamental watch dial
shown in FIG. 1;

[56] **References Cited**

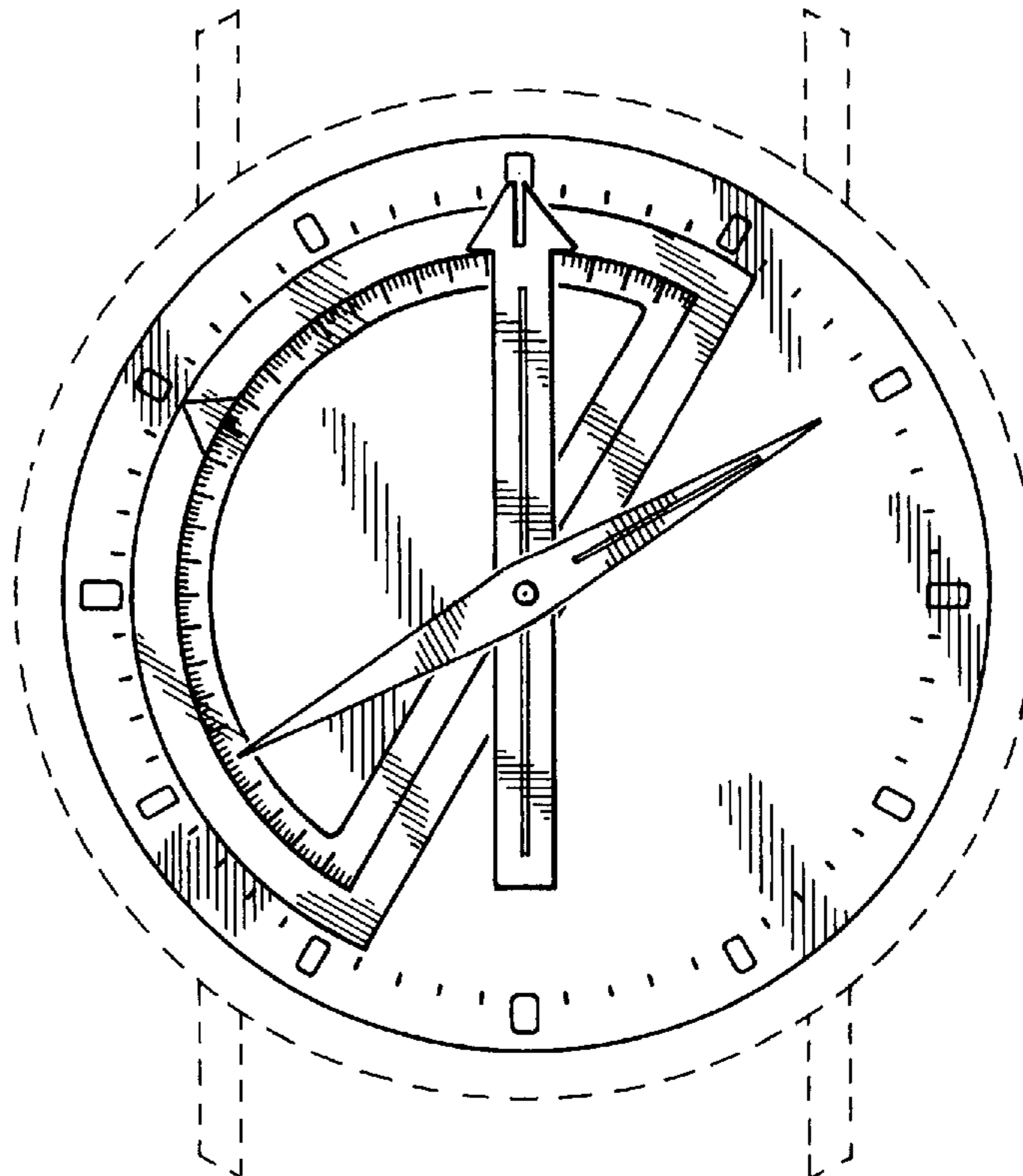
FIG. 5 is a rear view of the new ornamental watch dial
shown in FIG. 1; and,

U.S. PATENT DOCUMENTS

FIG. 6 is a left side view of the new ornamental watch dial
shown in FIG. 1.

D. 79,835 3/1929 Bloch .
301,215 7/1884 Cory .

1 Claim, 1 Drawing Sheet



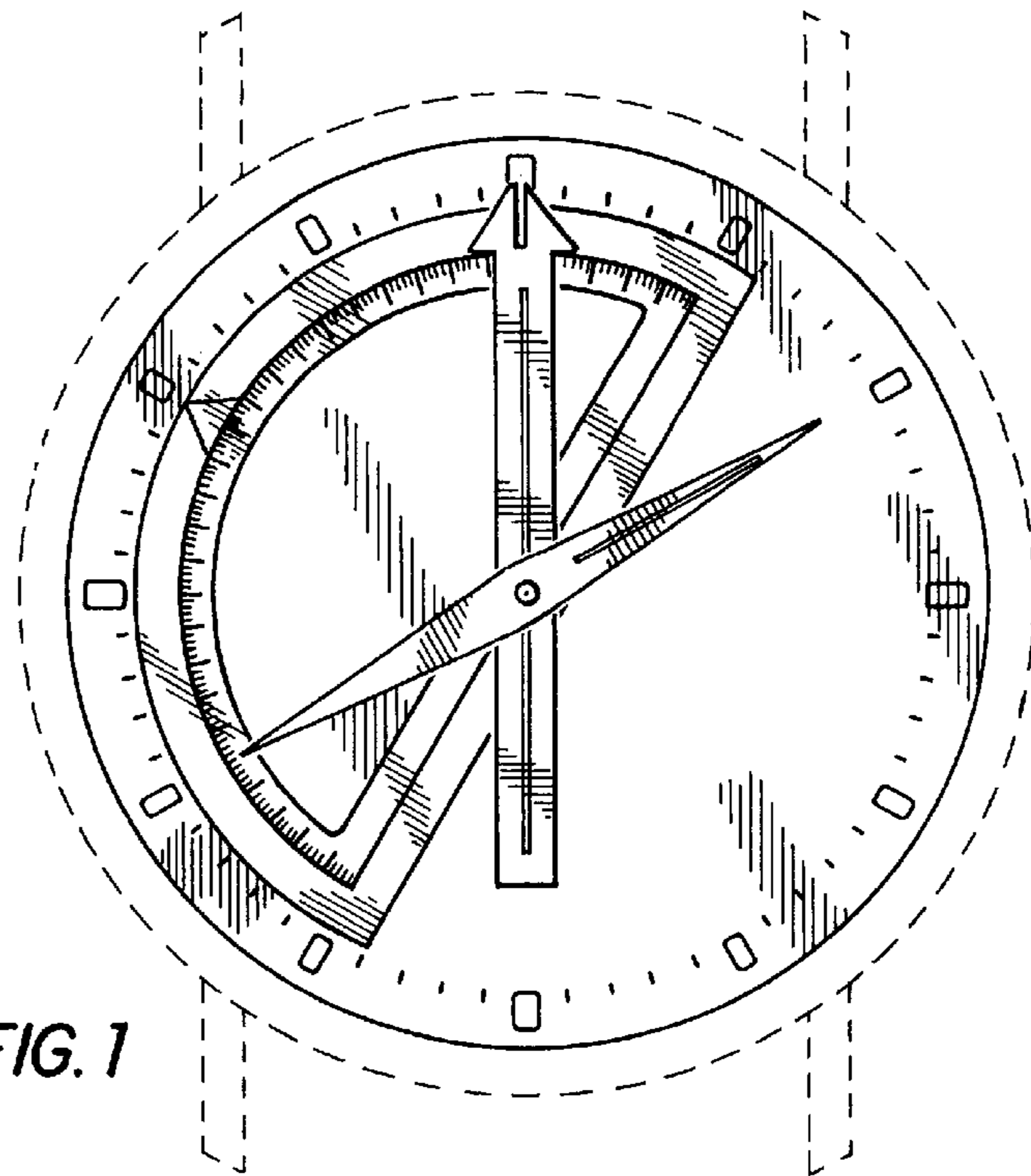


FIG. 1

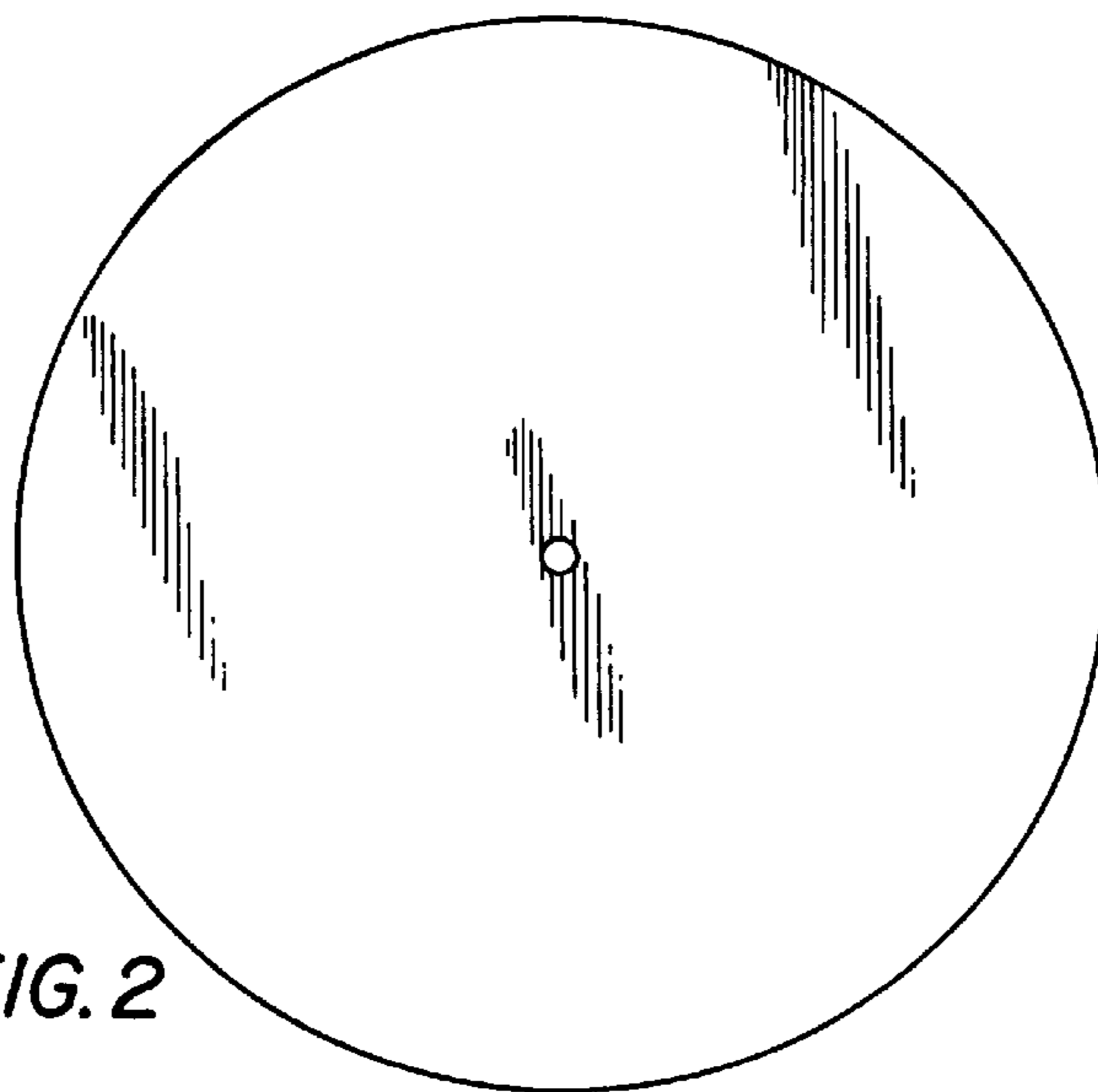


FIG. 2

