



US00D400113S

# United States Patent [19]

Aalto

[11] **Patent Number: Des. 400,113**

[45] **Date of Patent: \*\*Oct. 27, 1998**

[54] **CONTINUITY TESTER FOR ENGINE  
BLOCK HEATER**

[76] Inventor: **Kari U. Aalto**, 8012 Newcastle Crescent,  
Prince George, BC, Canada, V2N 3X5

[\*\*] Term: **14 Years**

[21] Appl. No.: **59,228**

[22] Filed: **Sep. 5, 1996**

[51] **LOC (6) Cl. .... 10-04**

[52] **U.S. Cl. .... D10/78**

[58] **Field of Search .... D10/75, 78, 46,  
D10/80; 439/105, 106, 982; 324/115, 556,  
72.5, 133**

[56] **References Cited**

**U.S. PATENT DOCUMENTS**

- D. 223,001 2/1972 Bonanno ..... D10/78 X
- D. 363,241 10/1995 Thomson ..... D10/75
- 2,622,214 12/1952 Brenson ..... 324/556

- 3,924,914 12/1975 Banner ..... 439/982 X
- 4,293,172 10/1981 Lingaraju ..... 439/105 X
- 4,879,739 11/1989 Forson ..... 324/133 X
- 5,546,009 8/1996 Raphael ..... 324/556 X

*Primary Examiner*—Nelson C. Holtje  
*Attorney, Agent, or Firm*—Harold H. Dutton, Jr.

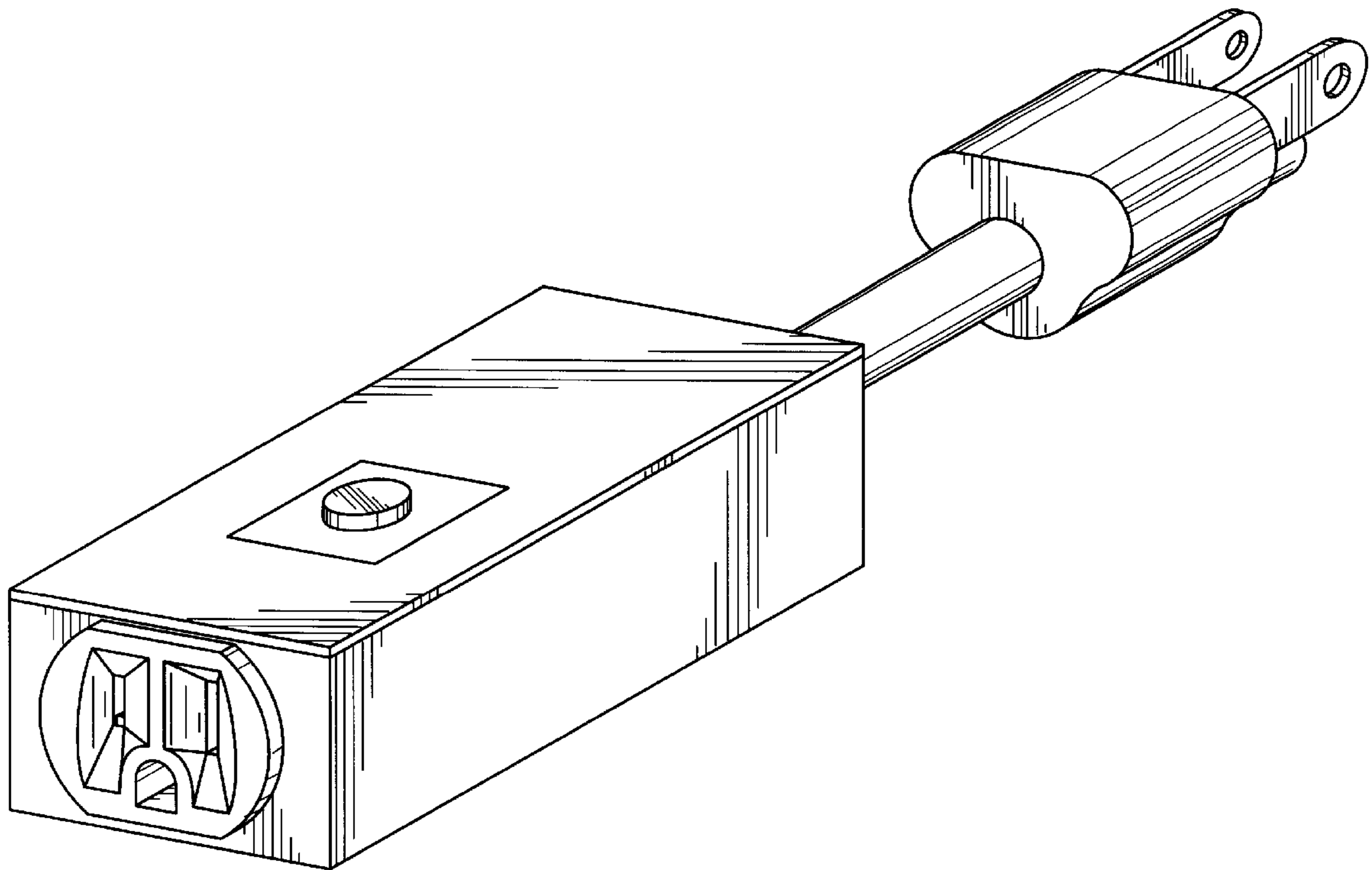
[57] **CLAIM**

The ornamental design for a continuity tester for engine block heater, as shown.

**DESCRIPTION**

FIG. 1 is a perspective view of a continuity tester for engine block heater showing my new design;  
FIG. 2 is a front view thereof;  
FIG. 3 is a rear view thereof;  
FIG. 4 is a right side view thereof;  
FIG. 5 is a left side view thereof;  
FIG. 6 is a top view thereof; and,  
FIG. 7 is a bottom view thereof.

**1 Claim, 4 Drawing Sheets**



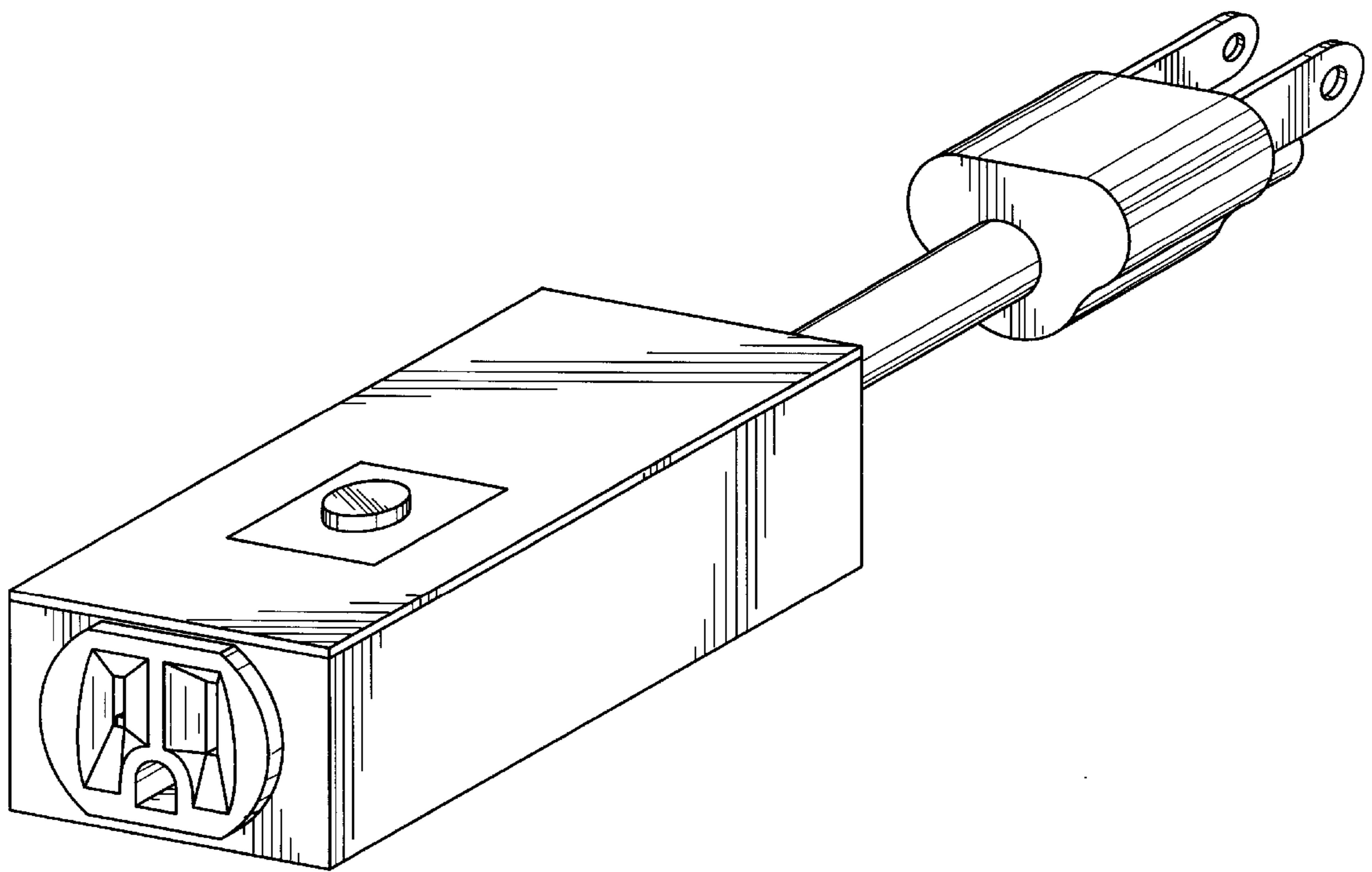


FIG. 1

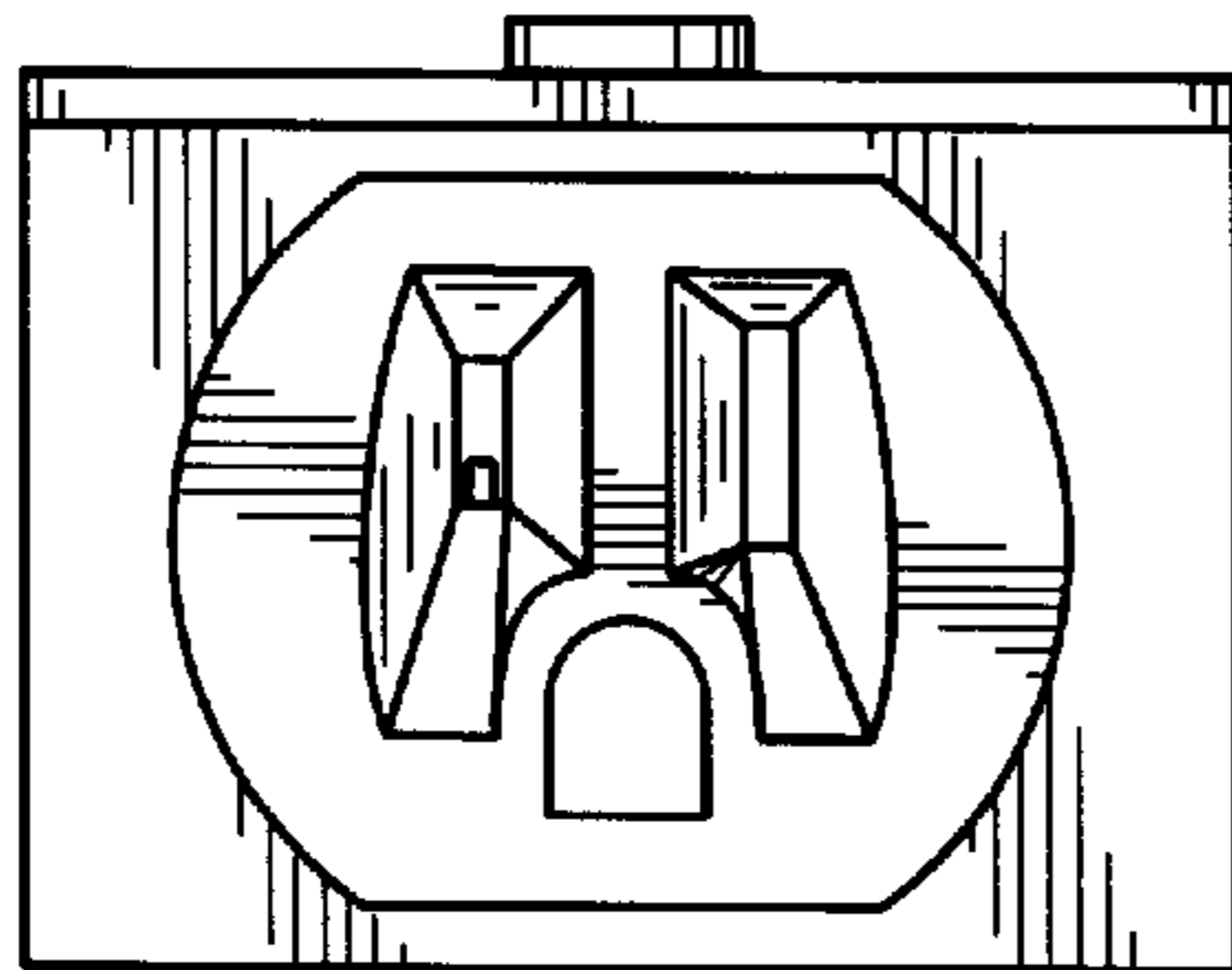
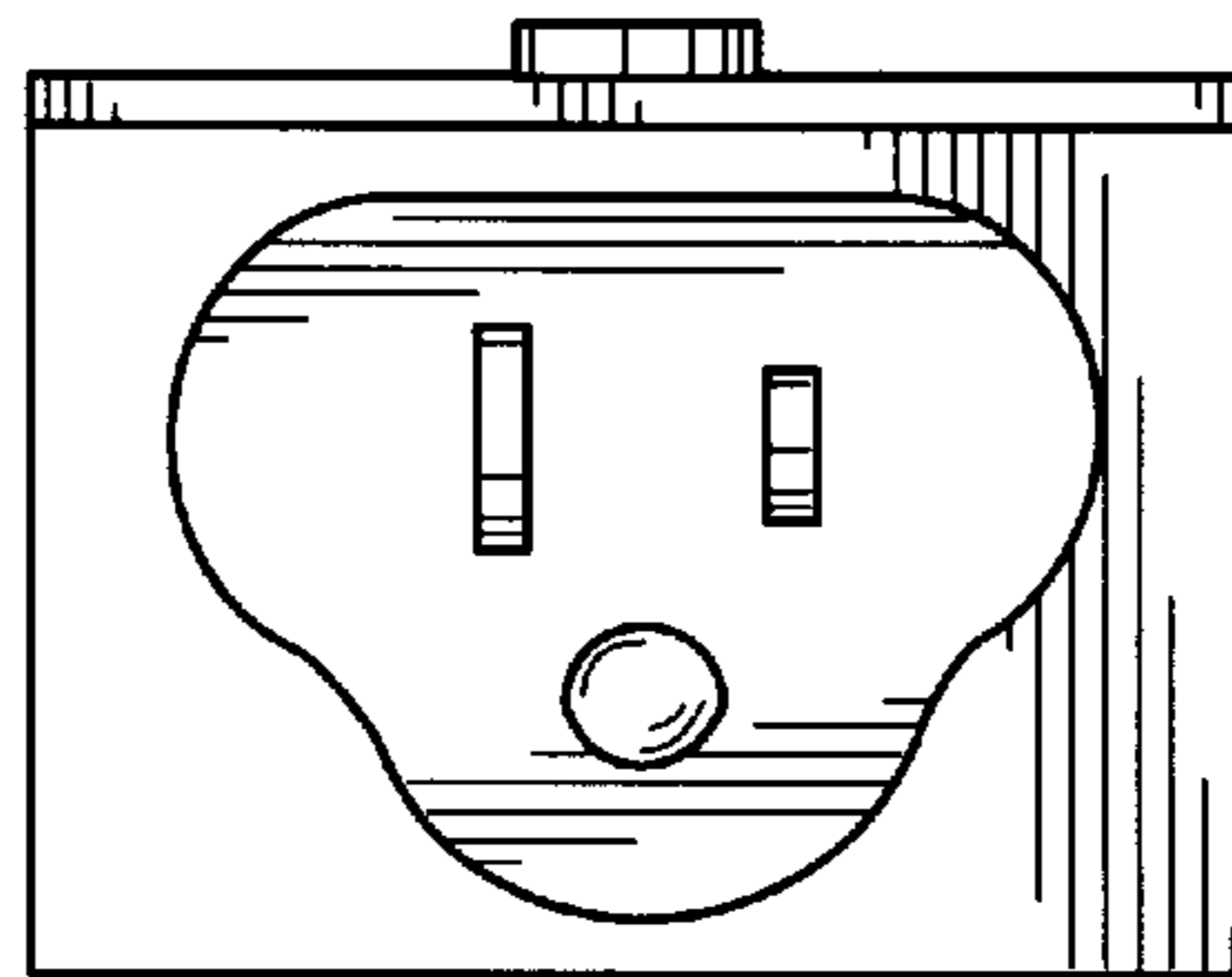


FIG. 2

FIG. 3



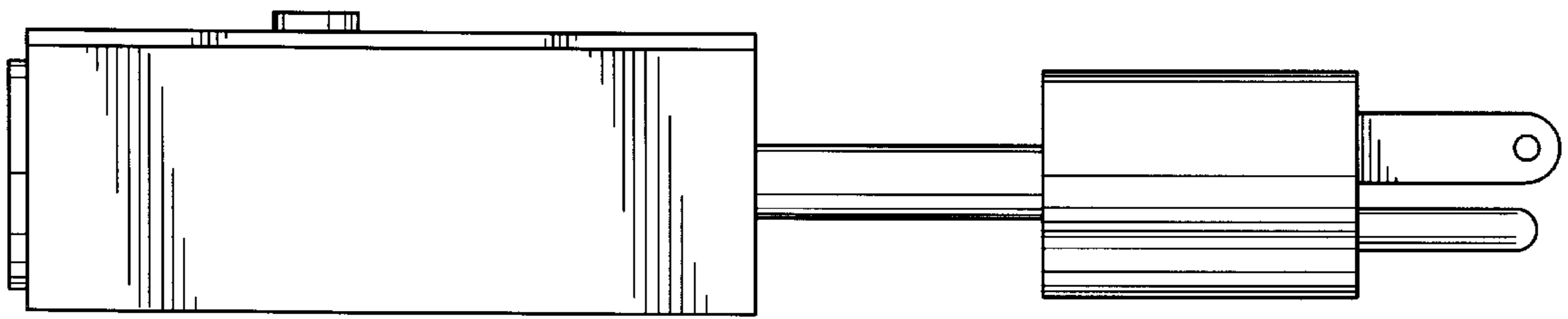


FIG. 4

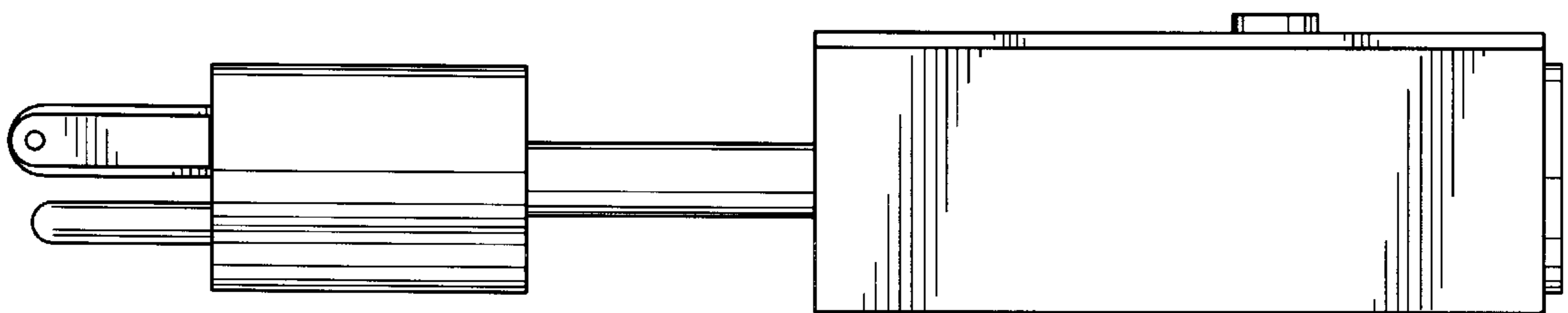


FIG. 5

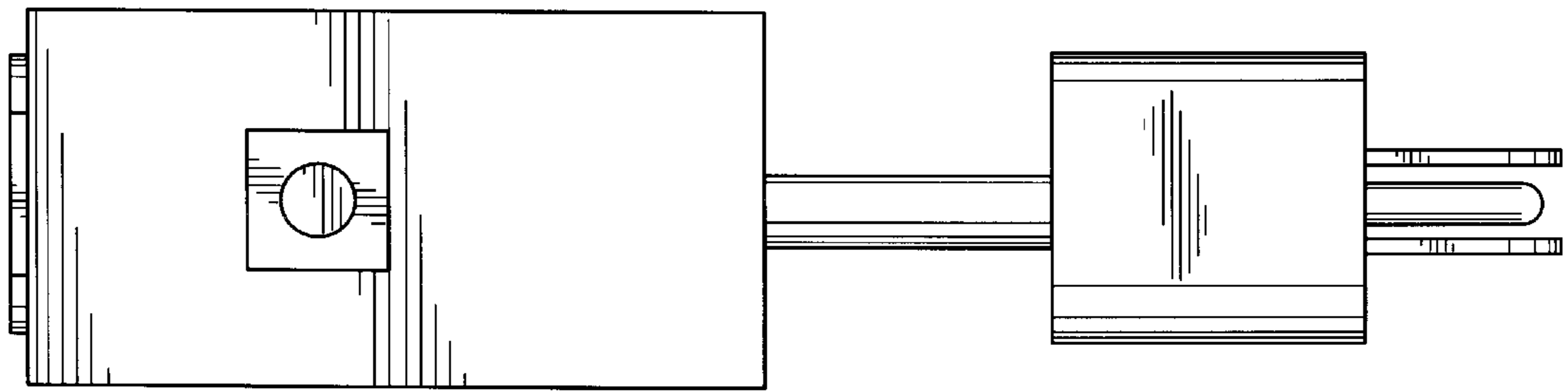


FIG. 6

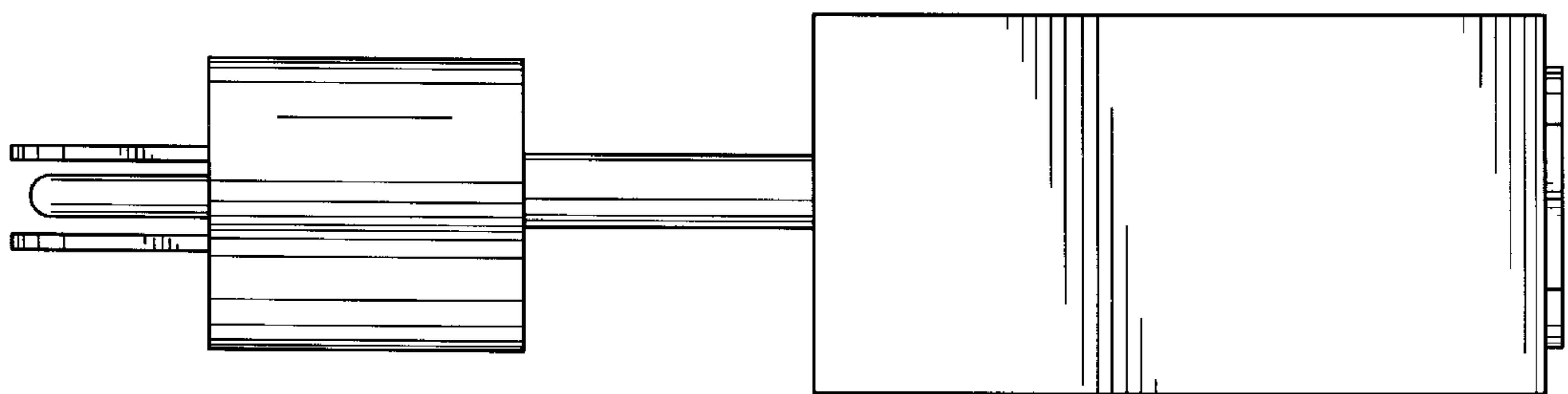


FIG. 7