



US00D400103S

United States Patent [19] Park

[11] **Patent Number: Des. 400,103**

[45] **Date of Patent: **Oct. 27, 1998**

[54] **PUMP FOR BOTTLE OF SPRING WATER**

5,025,956 6/1991 Linsenbigler 222/321.7 X

[76] Inventor: **Kyoung Seo Park**, 1-602 Lucky Apt.,
1257 Kuro 6-dong, Kuro-ku, Seoul,
Rep. of Korea

Primary Examiner—James Gandy
Assistant Examiner—Cathron B. Matta
Attorney, Agent, or Firm—Bacon & Thomas

[**] Term: **14 Years**

[57] **CLAIM**

[21] Appl. No.: **77,540**

The ornamental design for a pump for bottle of spring water,
as shown and described.

[22] Filed: **Oct. 3, 1997**

DESCRIPTION

[51] **LOC (6) Cl.** **09-07**

[52] **U.S. Cl.** **D9/448**

[58] **Field of Search** D9/300, 447, 448,
D9/449; 222/153.11–153.14, 321.1, 321.7,
321.9, 383.1–383.3, 494

FIG. 1 is a perspective view of the pump for bottle of spring
water;

FIG. 2 is a front plan view thereof;

FIG. 3 is a left side view thereof;

FIG. 4 is a right side view thereof;

FIG. 5 is a top plan view thereof;

FIG. 6 is a bottom plan view thereof; and,

FIG. 7 is a front plan view in practical use thereof, and
shown at a reduced scale.

[56] **References Cited**

U.S. PATENT DOCUMENTS

D. 272,236	1/1984	McDonald	D9/448
D. 284,068	6/1986	Ford et al.	D9/448
D. 336,845	6/1993	Carroll et al.	D9/300
D. 371,295	7/1996	Wadsworth et al.	D9/448
4,424,919	1/1984	Knox et al.	222/153.13

The broken line showing of a container is for illustrative
purposes only and forms no part of the claimed design.

1 Claim, 5 Drawing Sheets

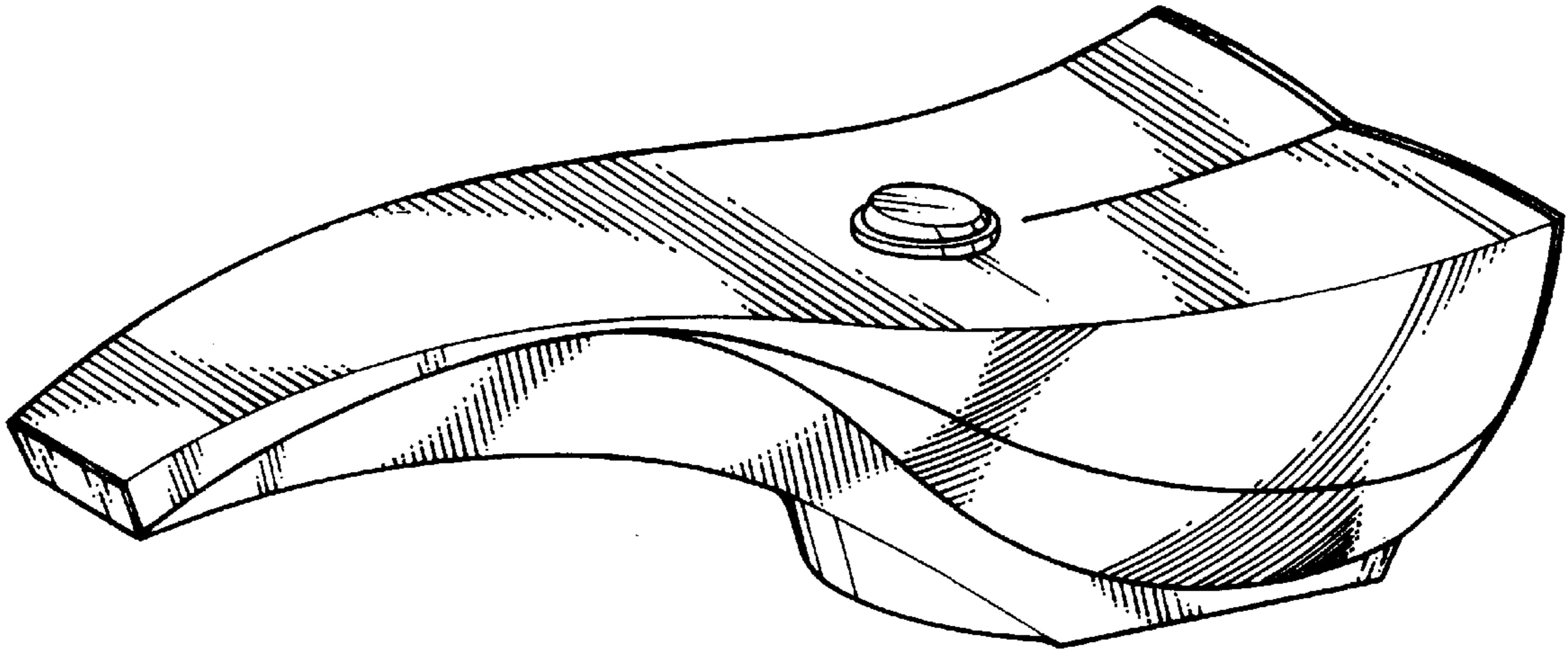


FIG. 1

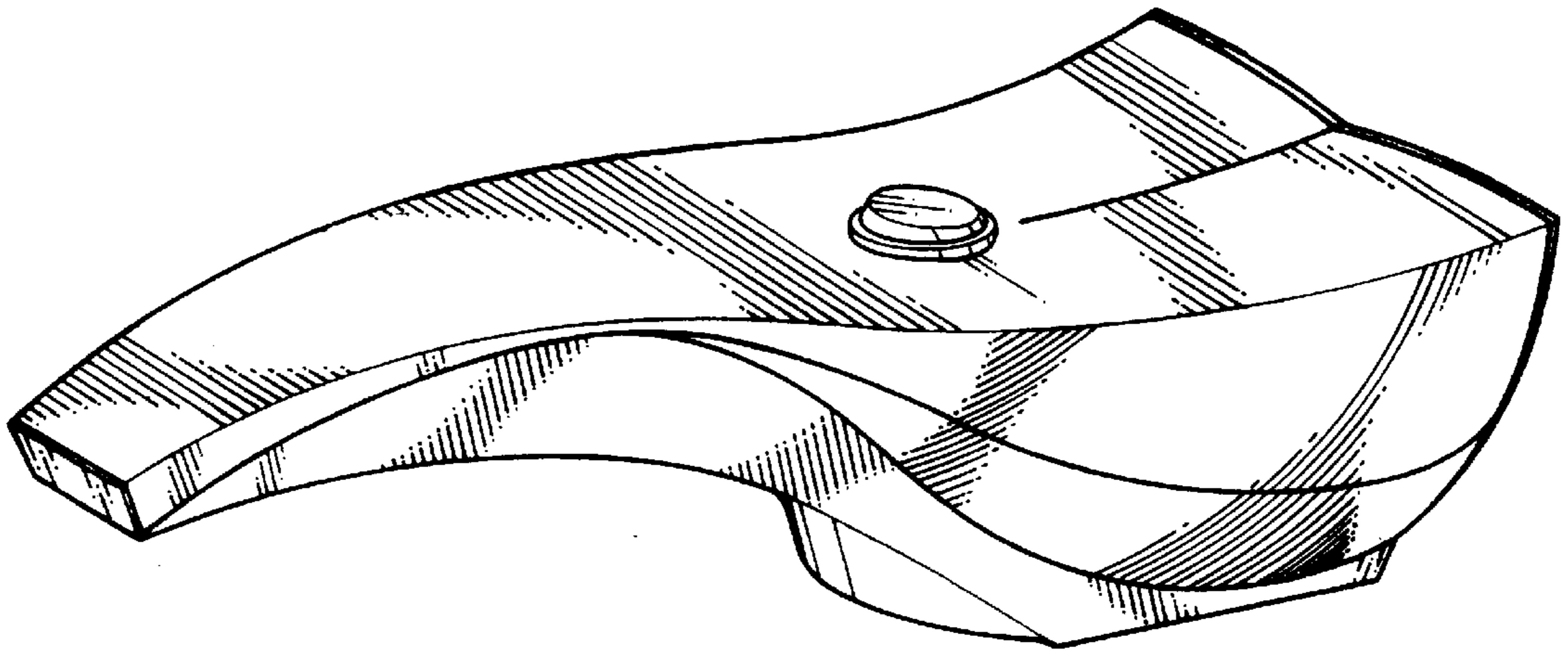


FIG. 2

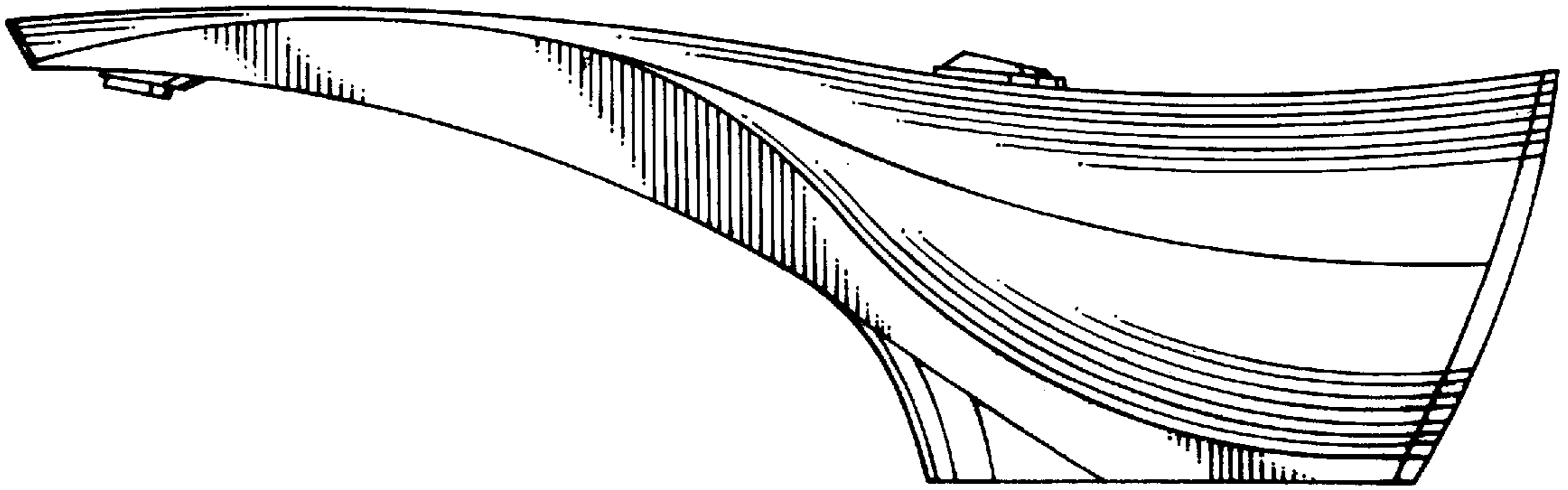


FIG. 3

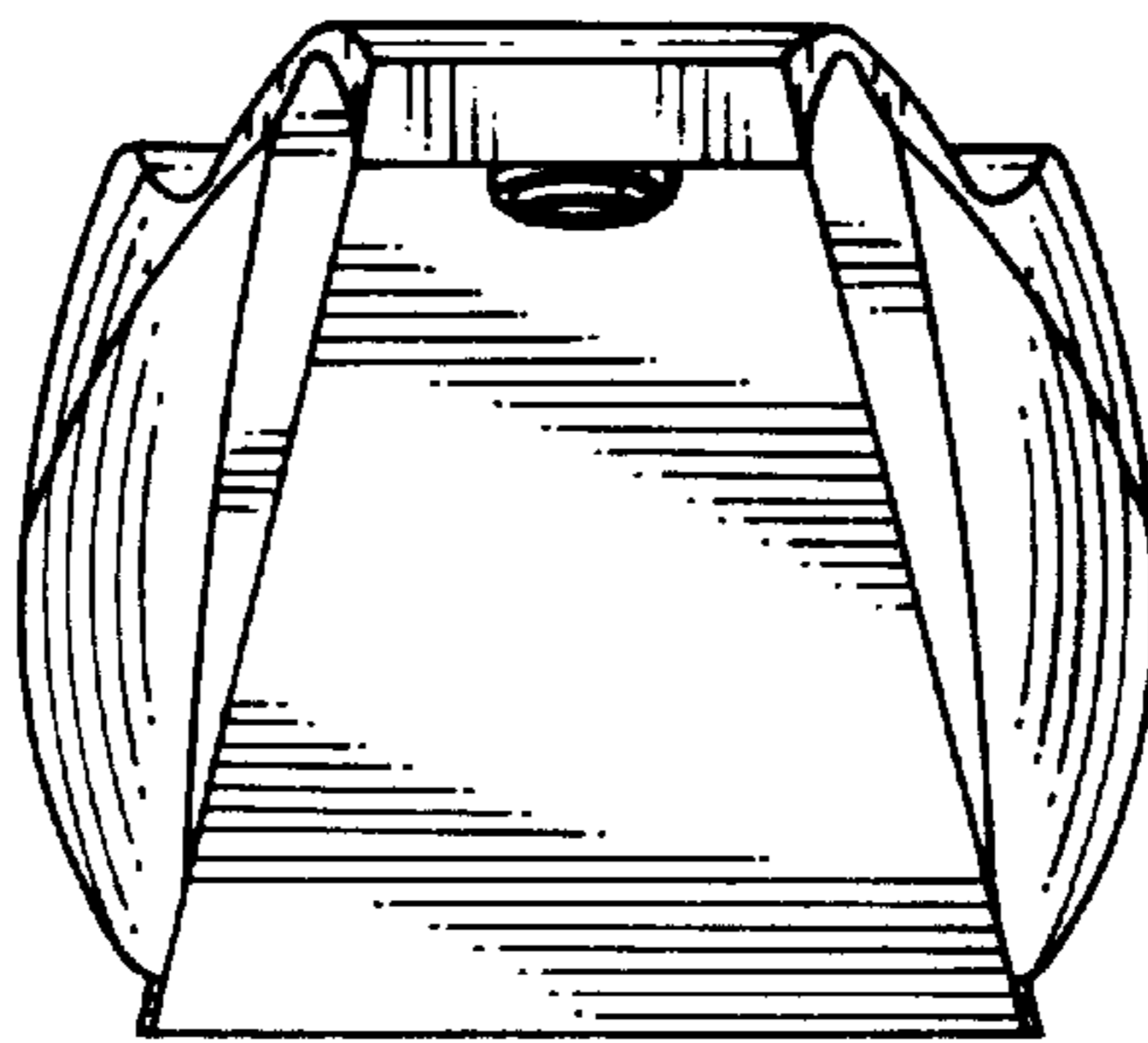


FIG. 4

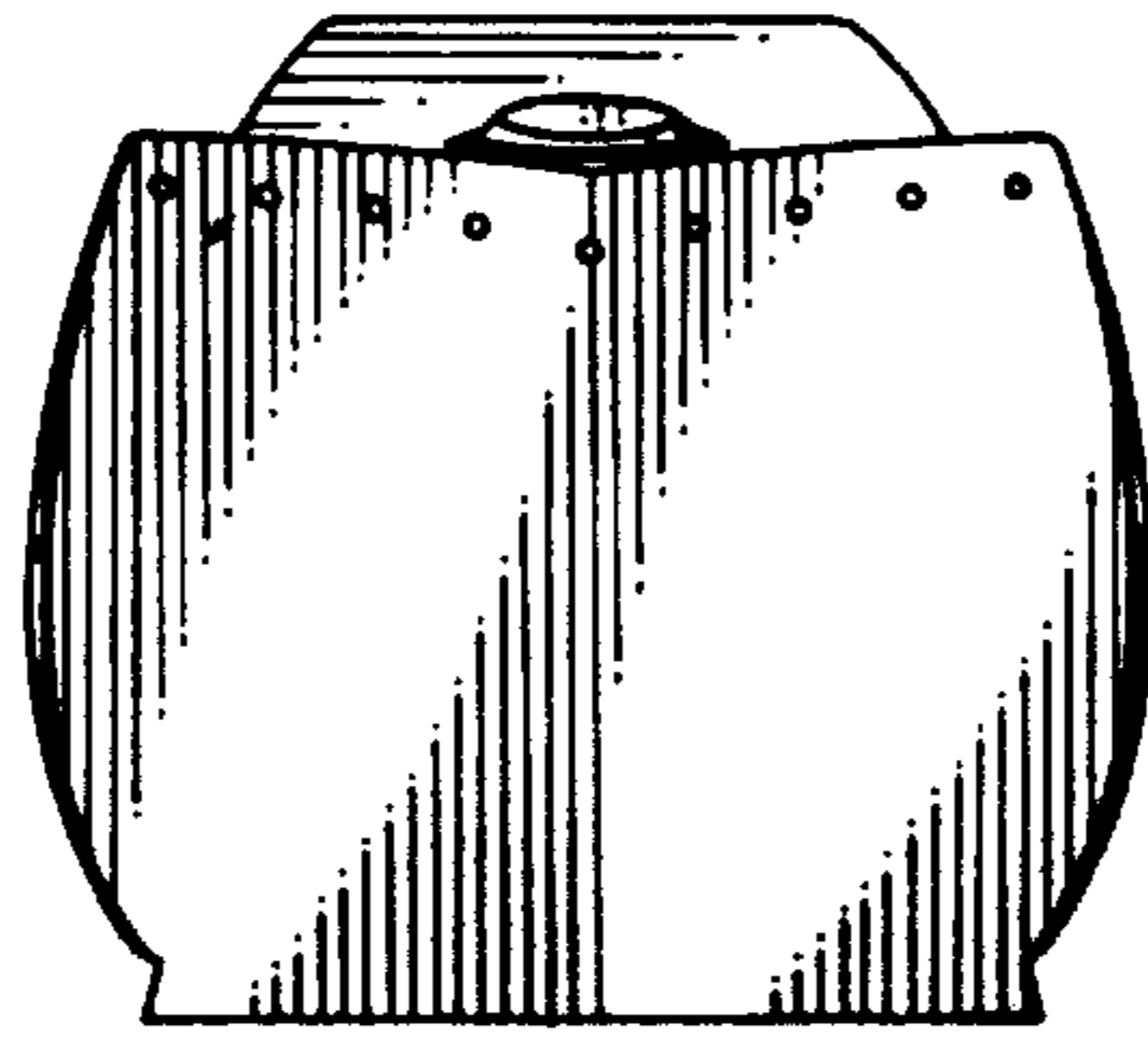


FIG. 5

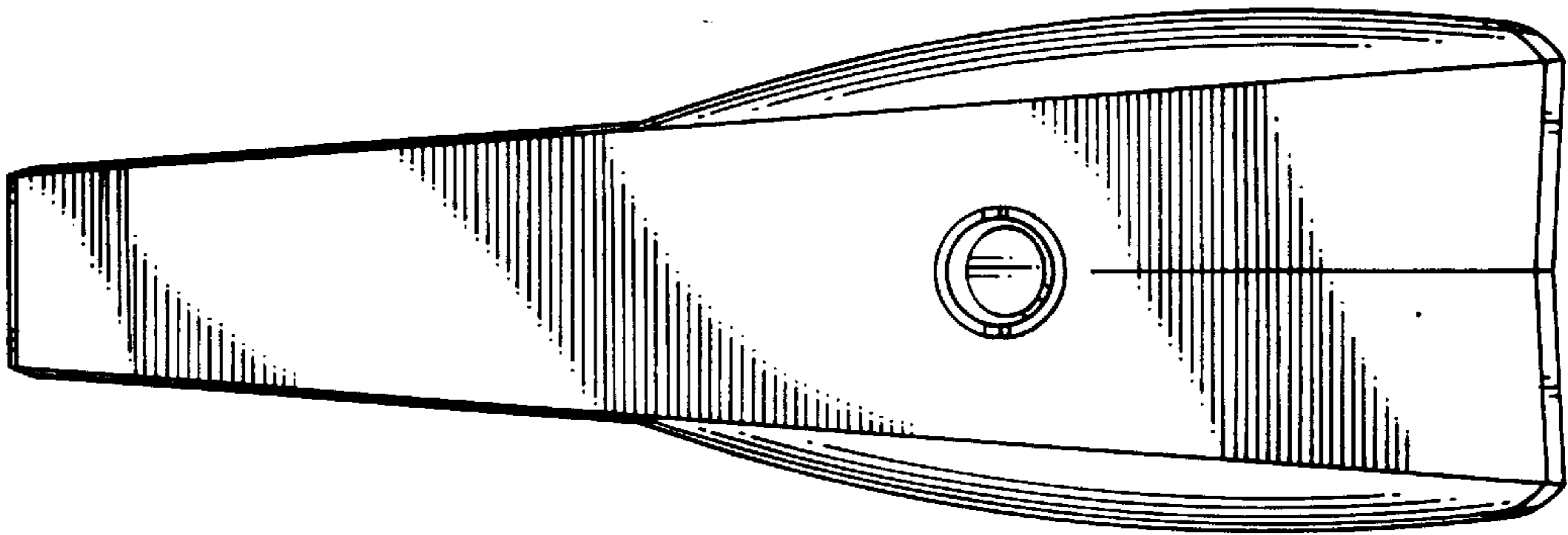


FIG. 6

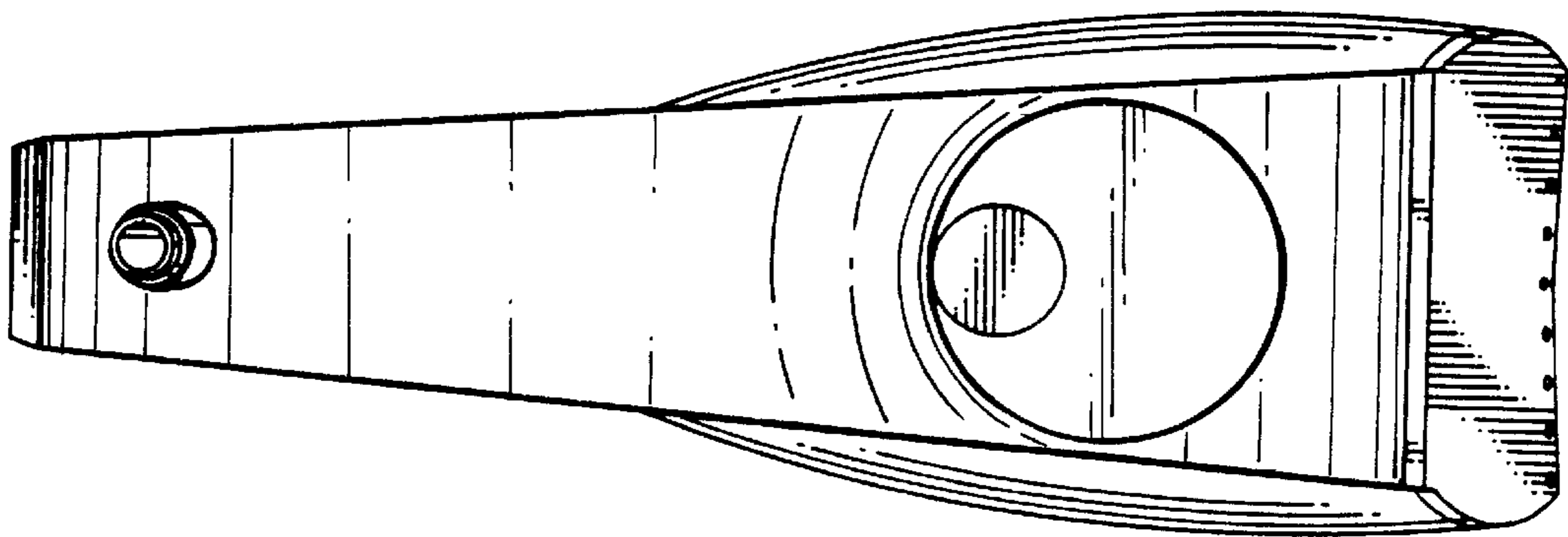


FIG. 7

