



US00D400099S

United States Patent [19]

Brauner et al.

[11] **Patent Number: Des. 400,099**

[45] **Date of Patent: **Oct. 27, 1998**

[54] **TRAY**

4,616,762 10/1986 Alexander 206/518 X
5,269,430 12/1993 Schlaupitz et al. 206/541 X

[75] Inventors: **Arne H. Brauner**, Minnetonka; **Gary S. Bachand**, Farmington, both of Minn.

OTHER PUBLICATIONS

Packaging Cat, p. 21, 1983.

[73] Assignee: **General Mills, Inc.**, Minneapolis, Minn.

Primary Examiner—Prabhakar G. Deshmukh
Attorney, Agent, or Firm—L. MeRoy Lillehaugen; John A. O’Toole

[**] Term: **14 Years**

[57] CLAIM

[21] Appl. No.: **73,516**

The ornamental design for a tray, as shown and described.

[22] Filed: **Jul. 14, 1997**

DESCRIPTION

[51] **LOC (6) Cl.** **09-07**

[52] **U.S. Cl.** **D9/431; D9/425**

[58] **Field of Search** D9/425, 424, 432, D9/430, 414, 337, 429; D7/601, 602, 629, 550; 206/557, 541, 564–567, 518; 220/675, 669, 556; 426/106, 129, 393; D3/304

FIG. 1 is a perspective view of a tray showing our new design;

FIG. 2 is a top plan view thereof;

FIG. 3 is a front elevational view thereof;

FIG. 4 is a bottom plan view thereof;

FIG. 5 is a side elevational view thereof, as viewed from the left of FIG. 3;

FIG. 6 is a side elevational view thereof, as viewed from the right of FIG. 3;

FIG. 7 is a rear elevational view thereof;

FIG. 8 is a second embodiment of a tray; with cover thereon and three sided liner therein; and,

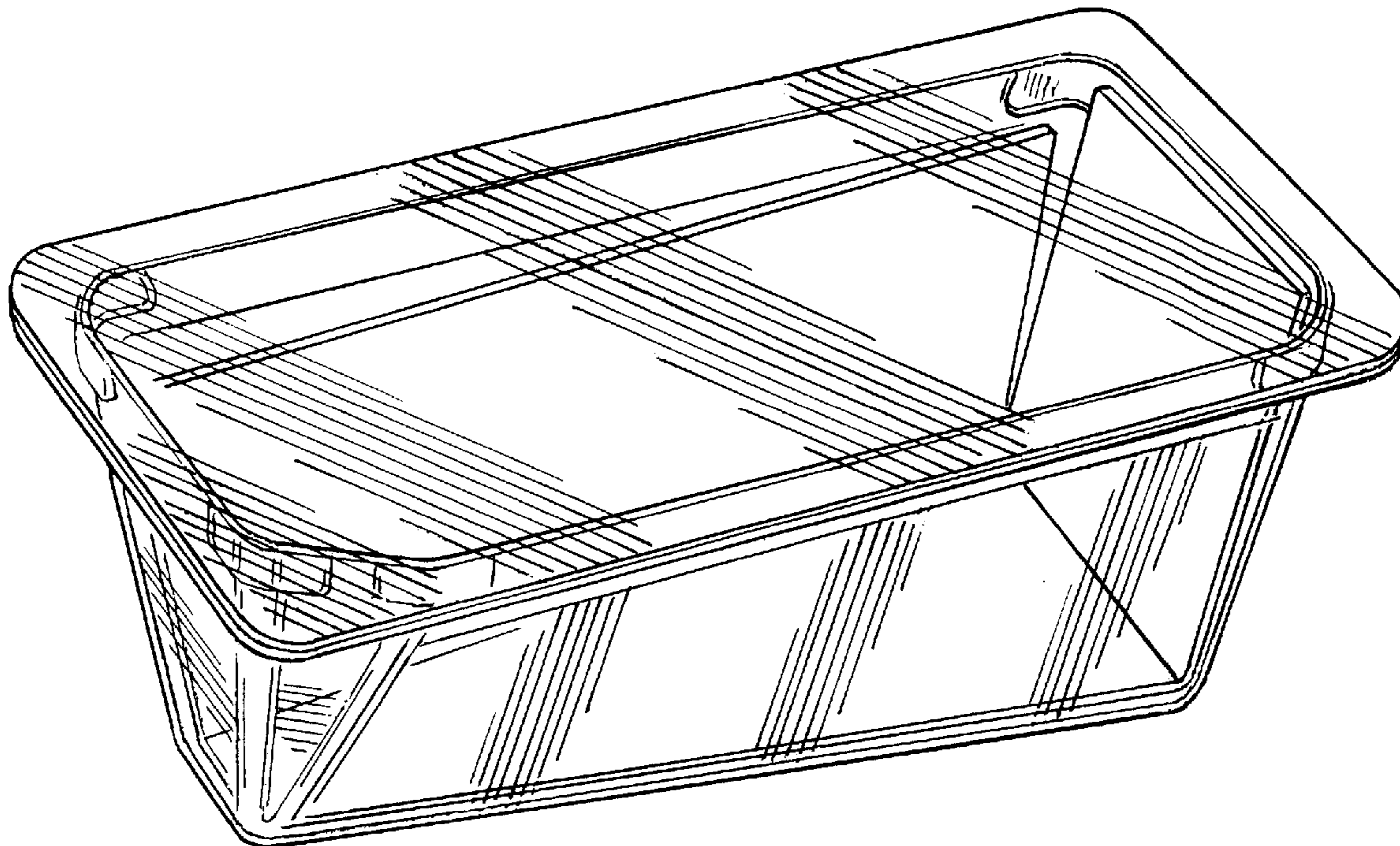
FIG. 9 is a perspective view thereof similar to FIG. 8, showing the parts in an exploded condition.

[56] References Cited

U.S. PATENT DOCUMENTS

D. 249,233	9/1978	Florian	D9/425
D. 305,410	1/1990	Tyler	D9/425
D. 310,748	9/1990	Embree et al.	D3/304
D. 342,896	1/1994	Gottsfredi	D9/425
D. 345,911	4/1994	Elbaz	D9/425
D. 388,324	12/1997	Bonnard	D9/425 X
3,615,039	10/1971	Bostrom	206/518 X

1 Claim, 4 Drawing Sheets



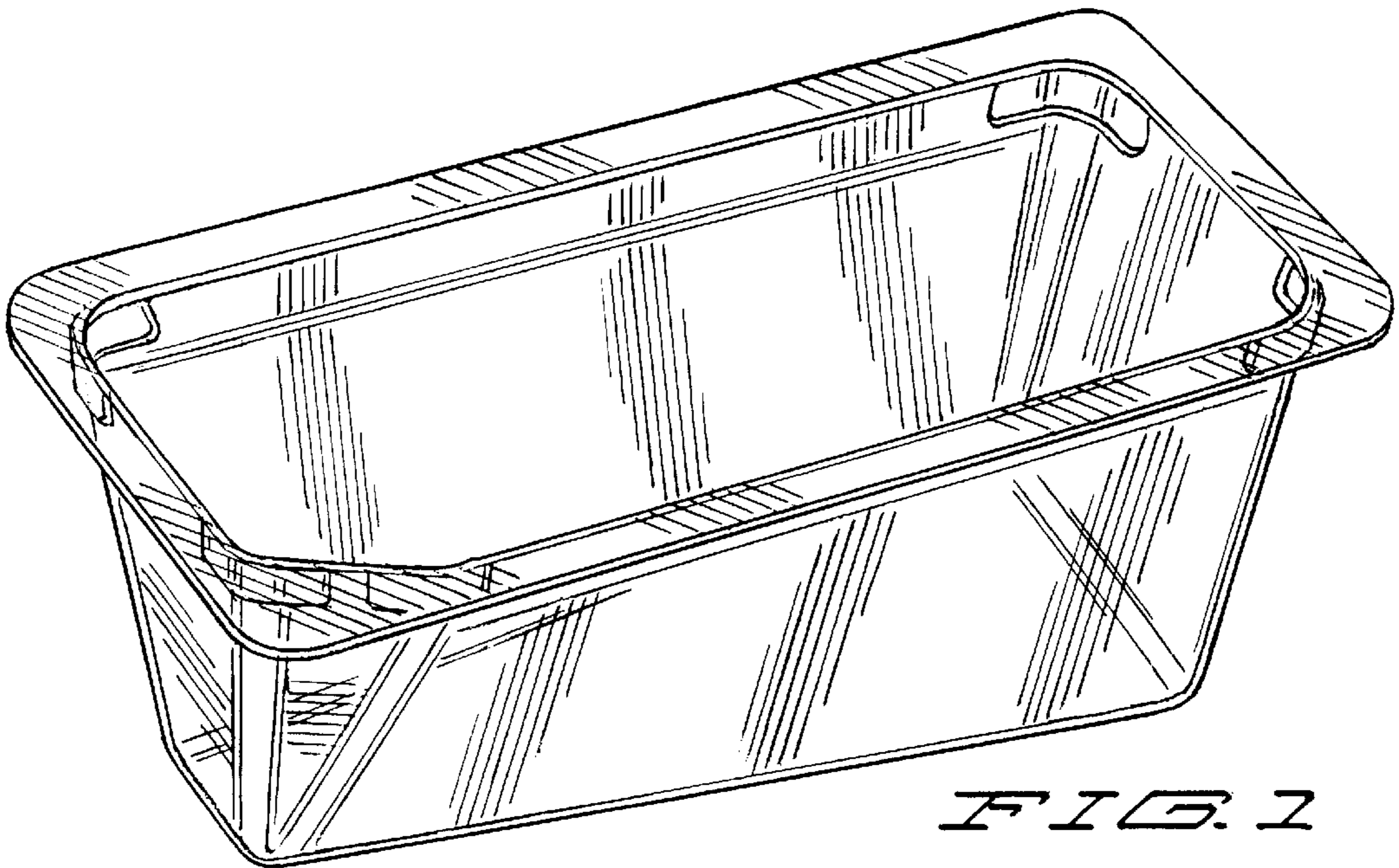


FIG. 1

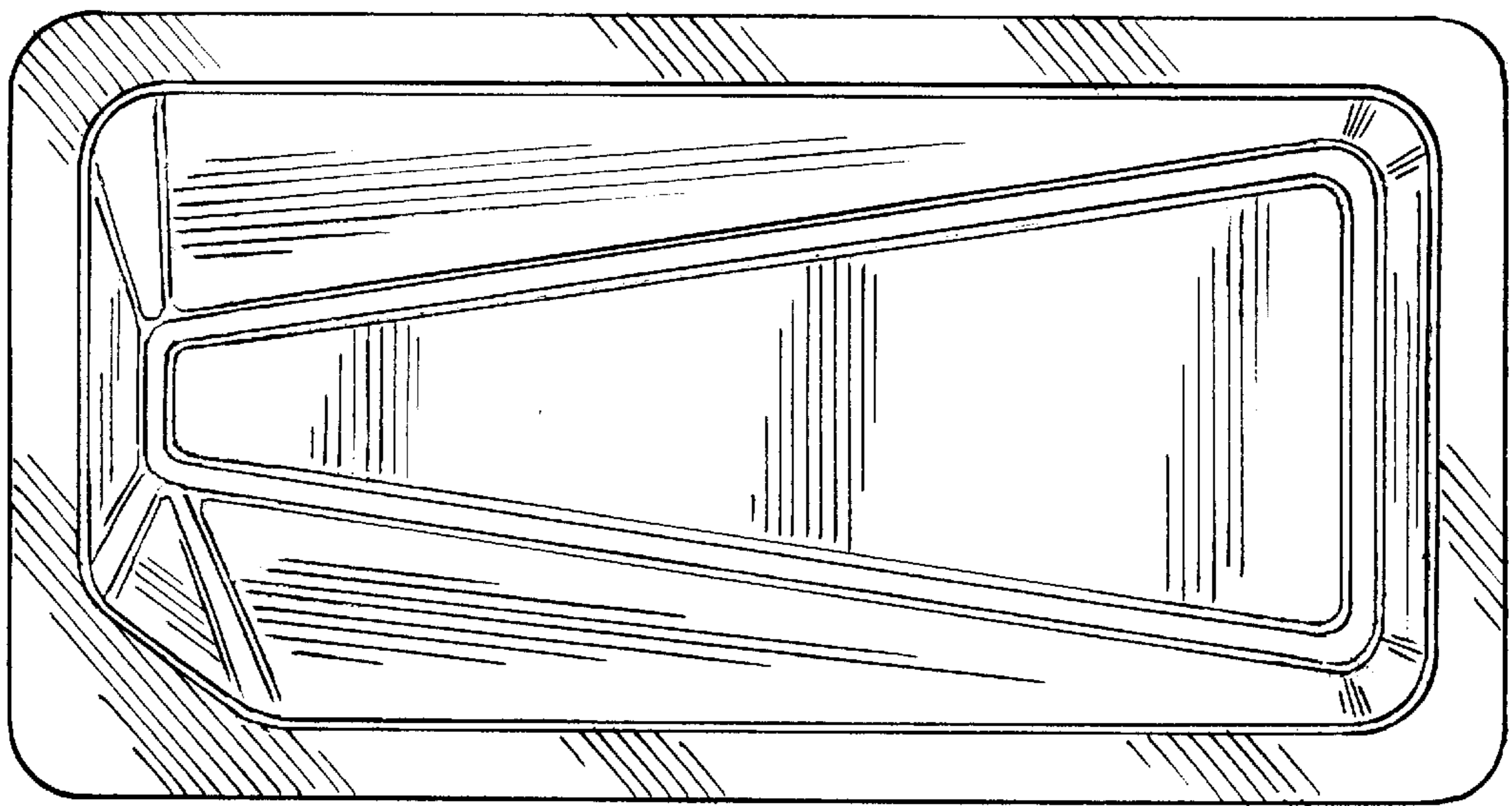


FIG. 2

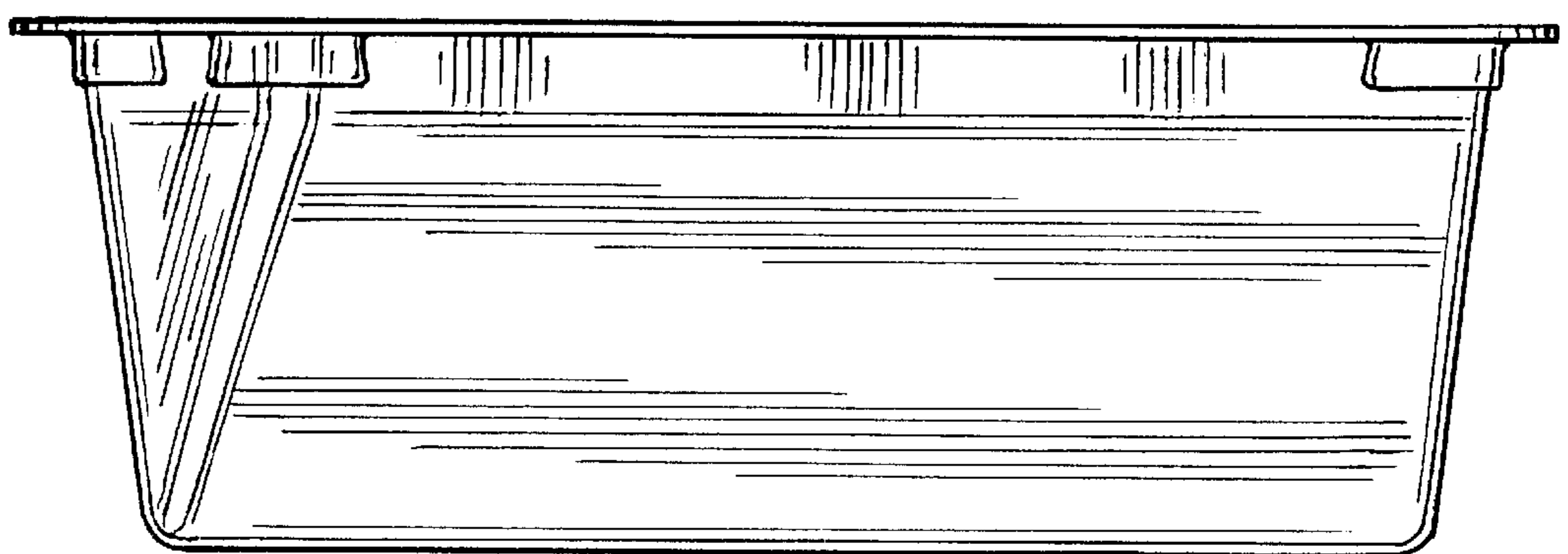


FIG. 3

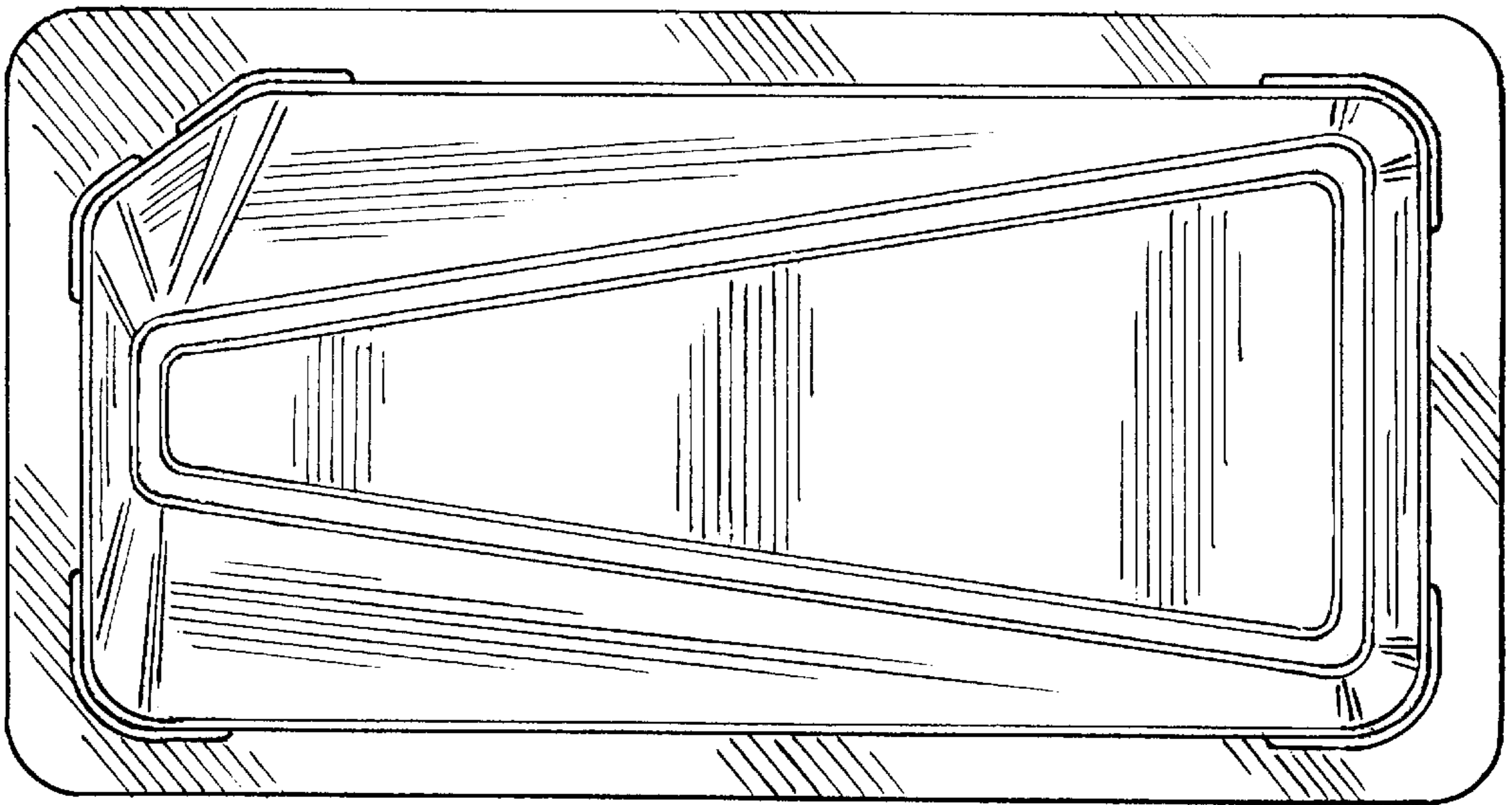


FIG. 4

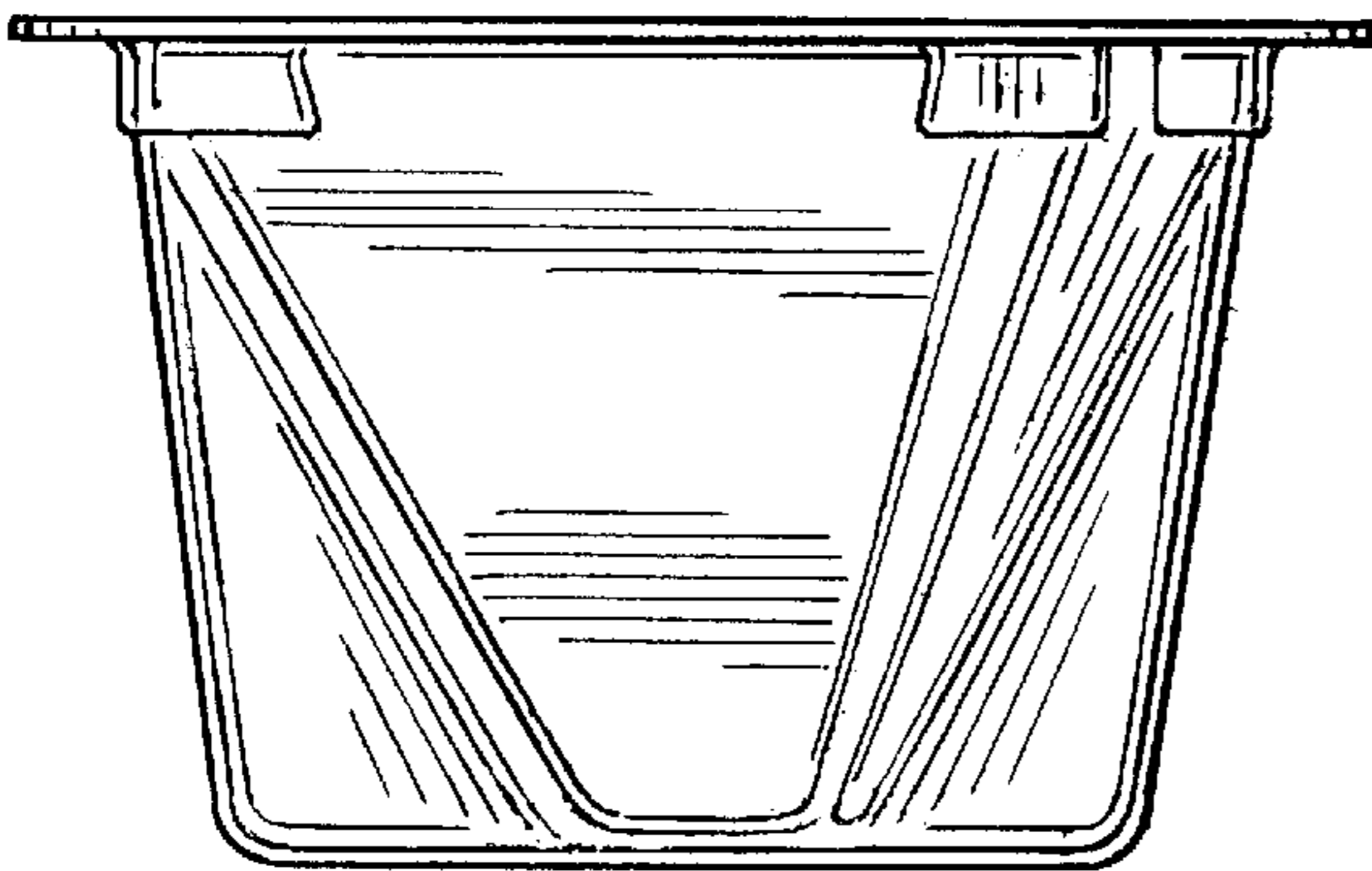


FIG. 5

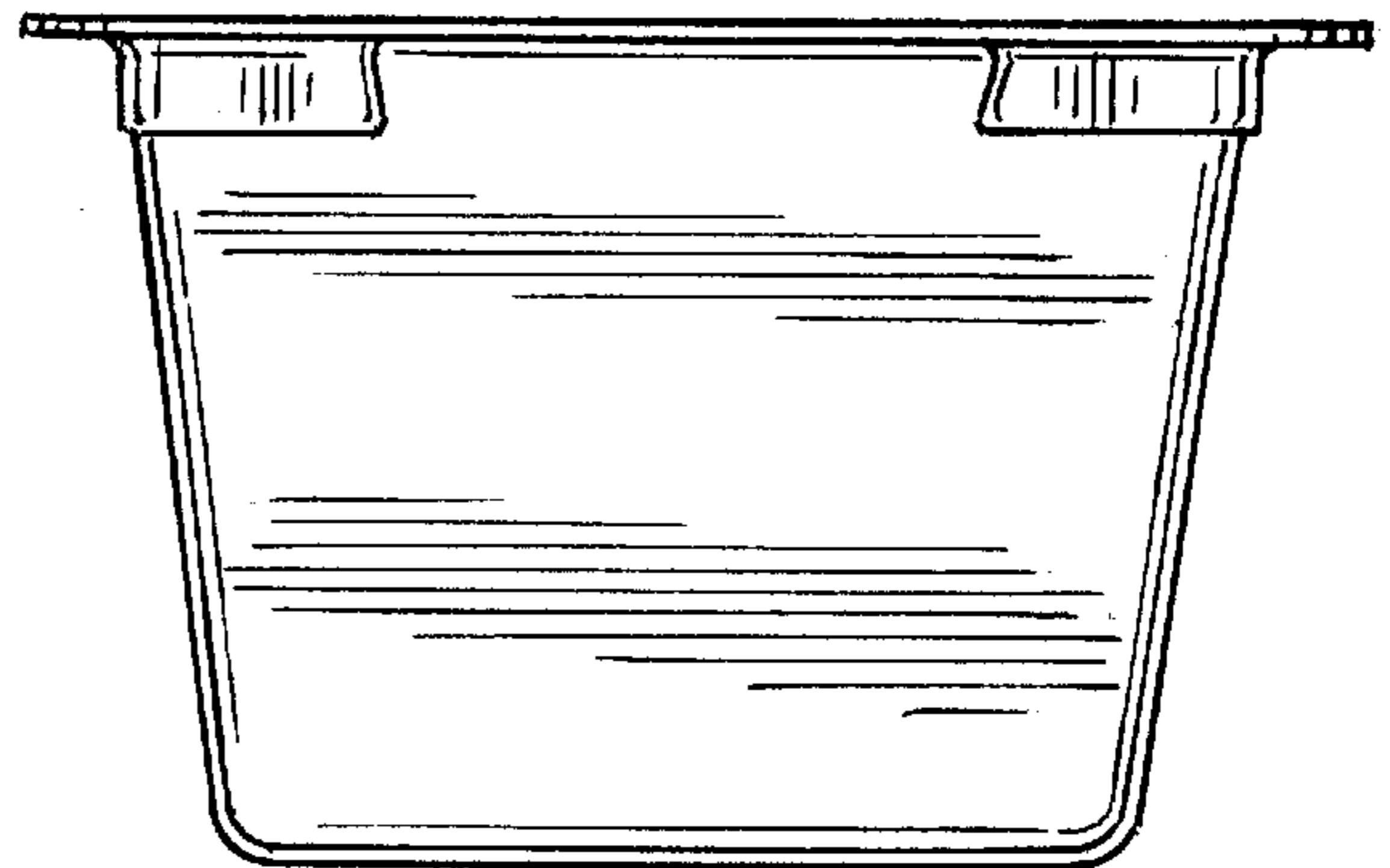


FIG. 6

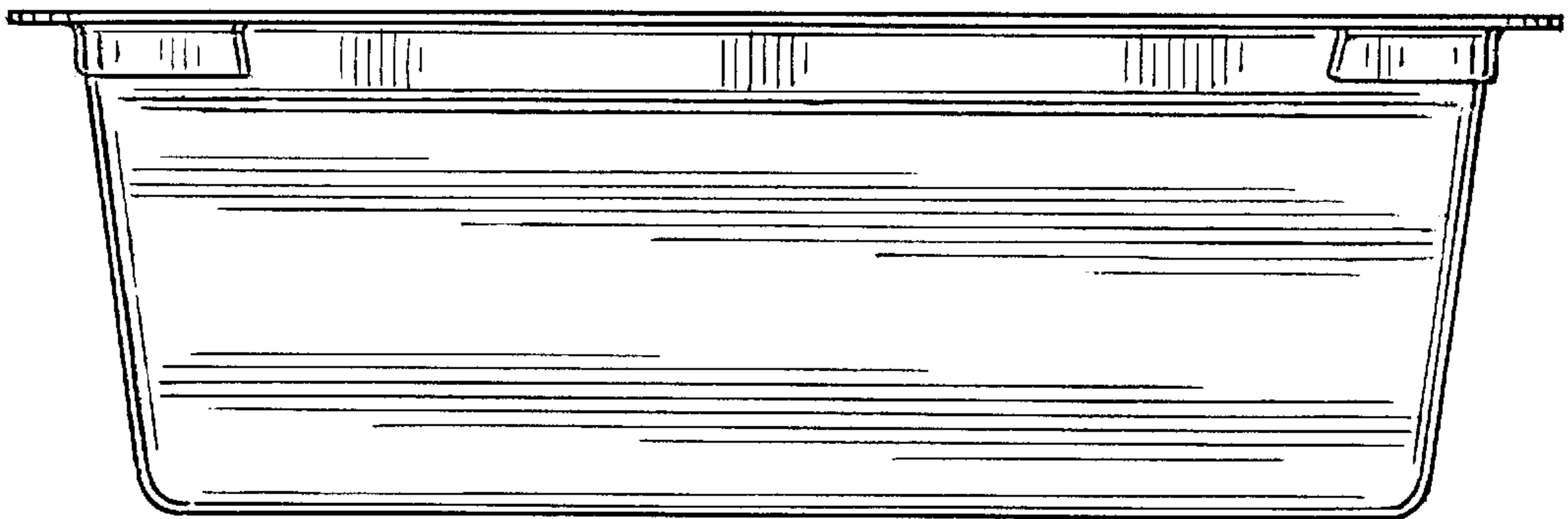


FIG. 7

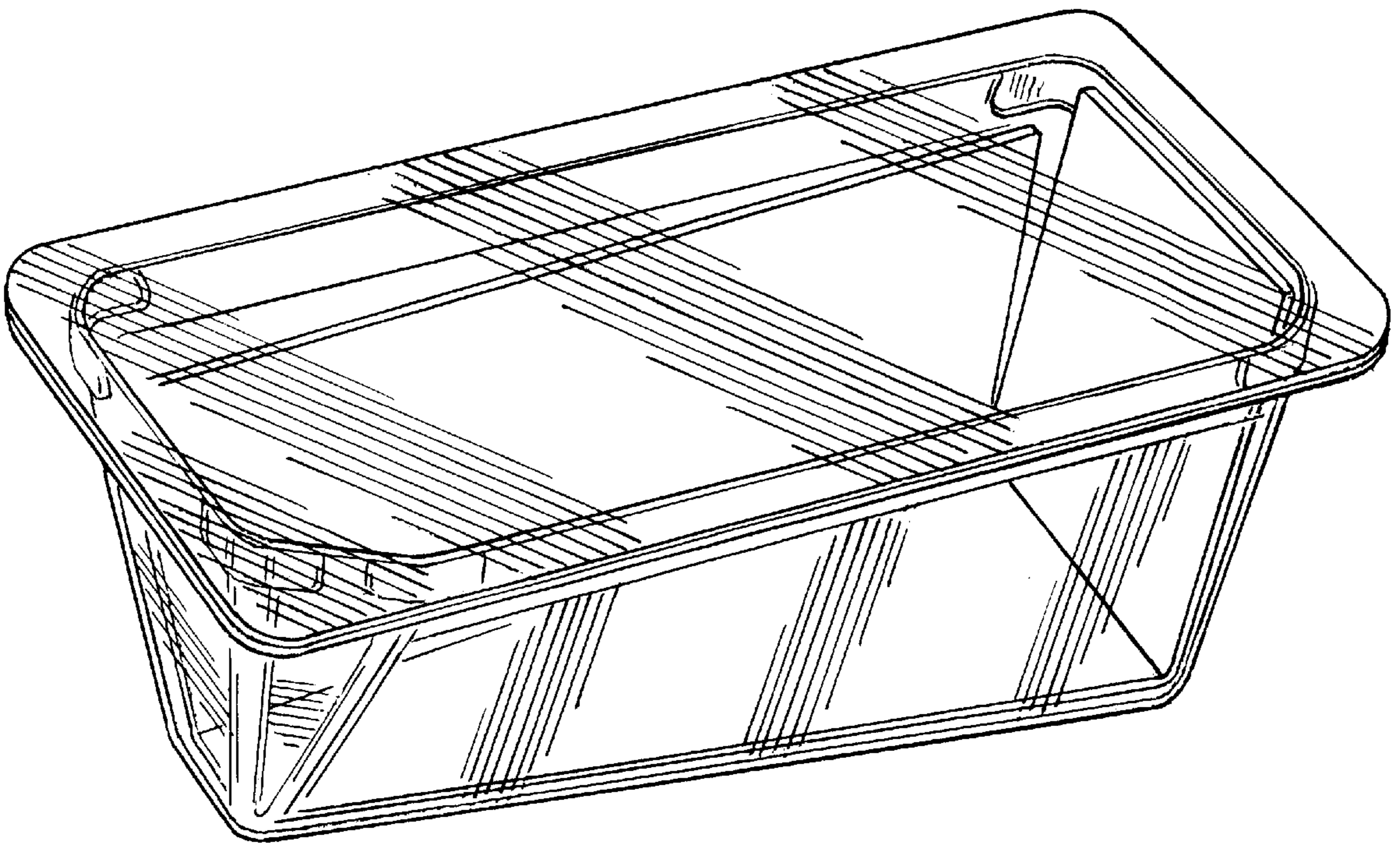


FIG. 8

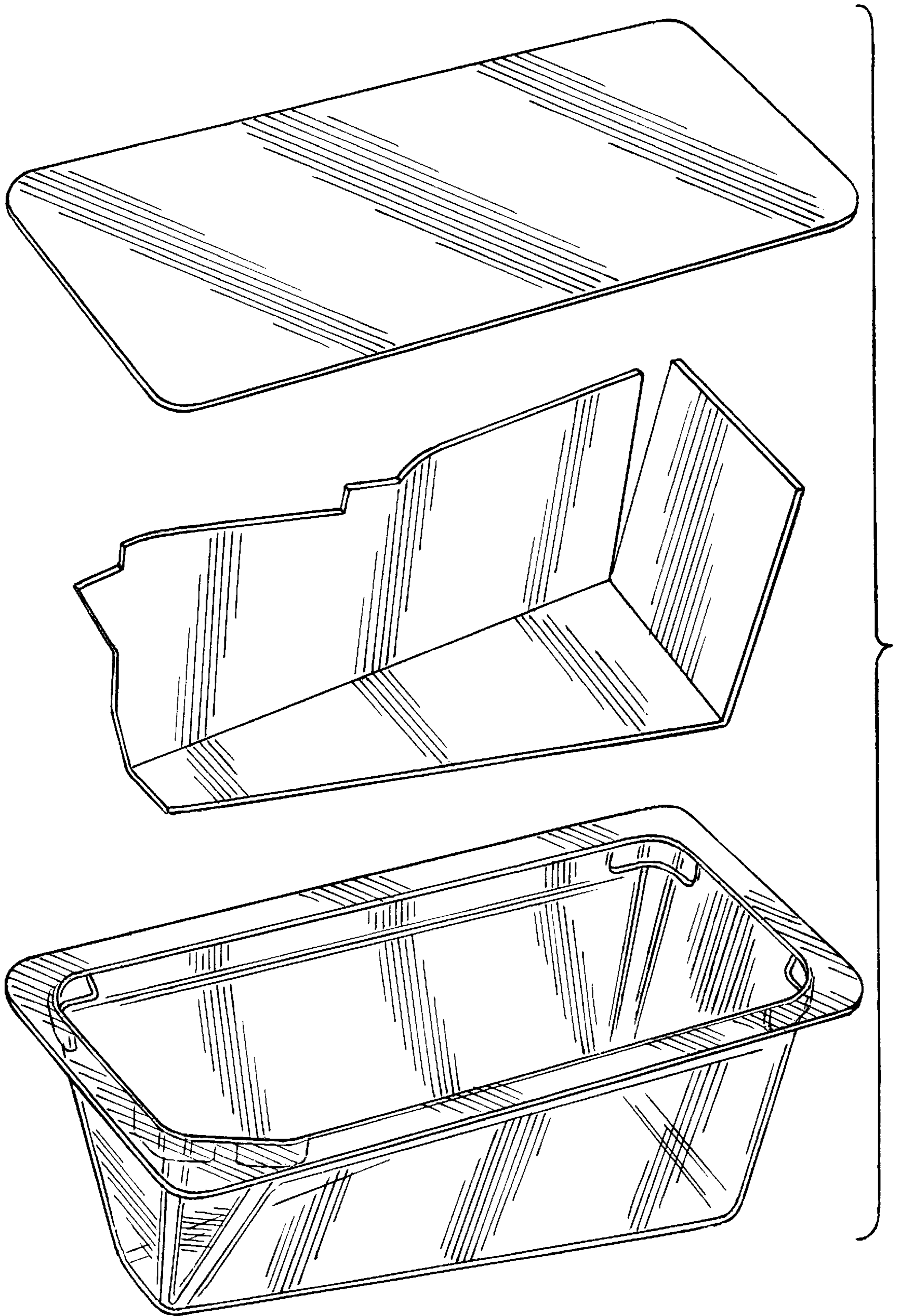


FIG. 9

UNITED STATES PATENT AND TRADEMARK OFFICE
Certificate

Patent No. D 400,099

Patented: October 27, 1998

On petition requesting issuance of a certificate for correction of inventorship pursuant to 35 U.S.C. 256, it has been found that the above identified patent, through error and without deceptive intent, improperly sets forth the inventorship.

Accordingly, it is hereby certified that the correct inventorship of this patent is: Arne H. Brauner, Minnetonka, MN; Gary S. Bachand, Farmington, MN; and John P. Rebhorn, Maple Grove, MN.

Signed and Sealed this Sixth Day of August 2002.

TED SHOOMAN
Supervisory Patent Examiner
Art Unit 2912