



US00D400098S

United States Patent [19]
Wang

[11] **Patent Number: Des. 400,098**

[45] **Date of Patent: **Oct. 27, 1998**

[54] **PACKING CASE**

[76] **Inventor: I-Hwa Wang, P.O. Box 55-175, Taichung, Taiwan**

[**] **Term: 14 Years**

[21] **Appl. No.: 78,497**

[22] **Filed: Oct. 27, 1997**

[51] **LOC (6) Cl. 09-07**

[52] **U.S. Cl. D9/415**

[58] **Field of Search D9/415, 414, 418, D9/341, 337; 206/461-471, 495, 806**

[56] **References Cited**

U.S. PATENT DOCUMENTS

- D. 249,639 9/1978 Hogg et al. D9/415
- D. 339,984 10/1993 Cohen D9/415
- 4,512,474 4/1985 Harding 206/461

- 4,742,912 5/1988 Lee 206/461 X
- 5,231,425 7/1993 Masuda et al. 206/701 X
- 5,484,631 1/1996 Hoh 206/461 X

Primary Examiner—Prabhakar G. Deshmukh

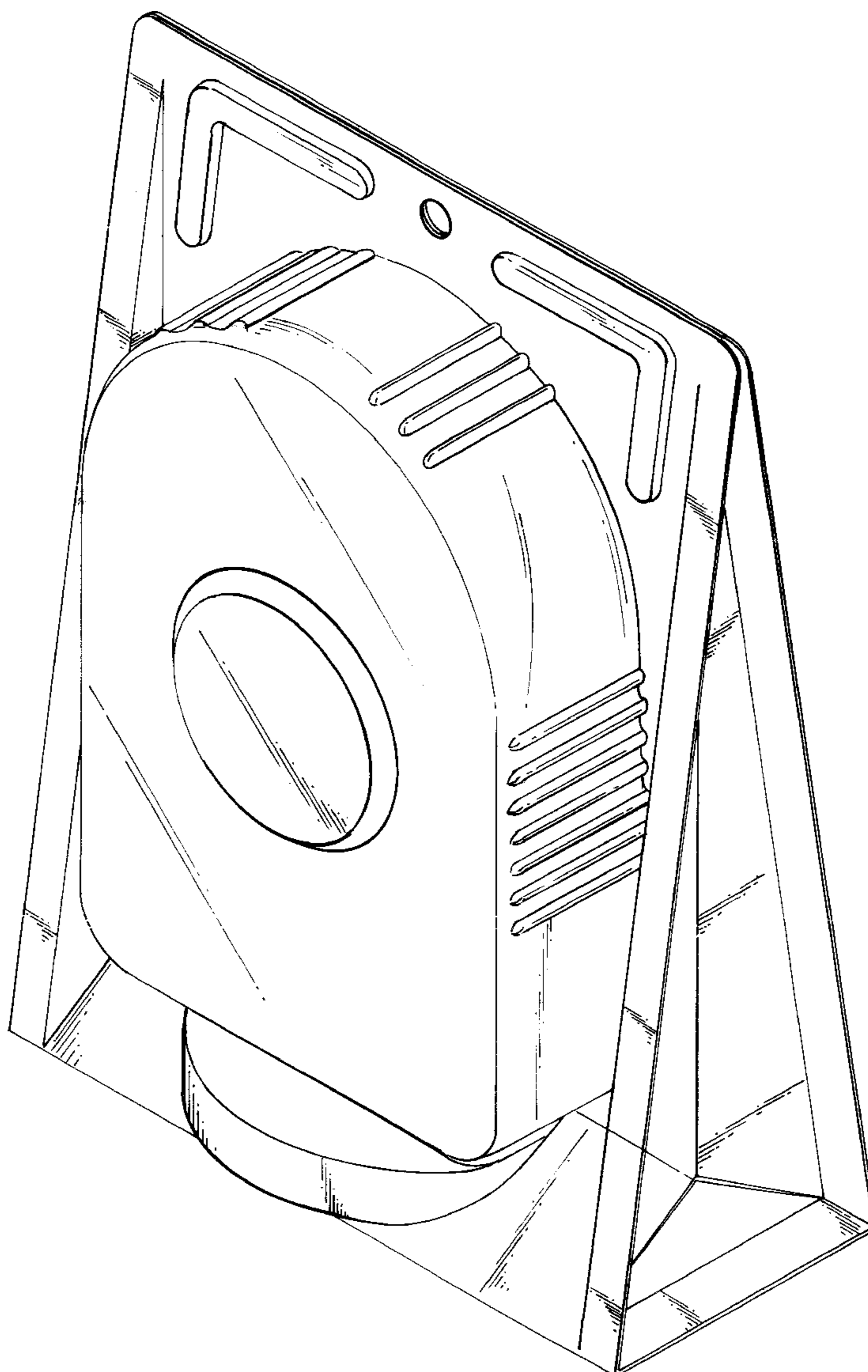
[57] **CLAIM**

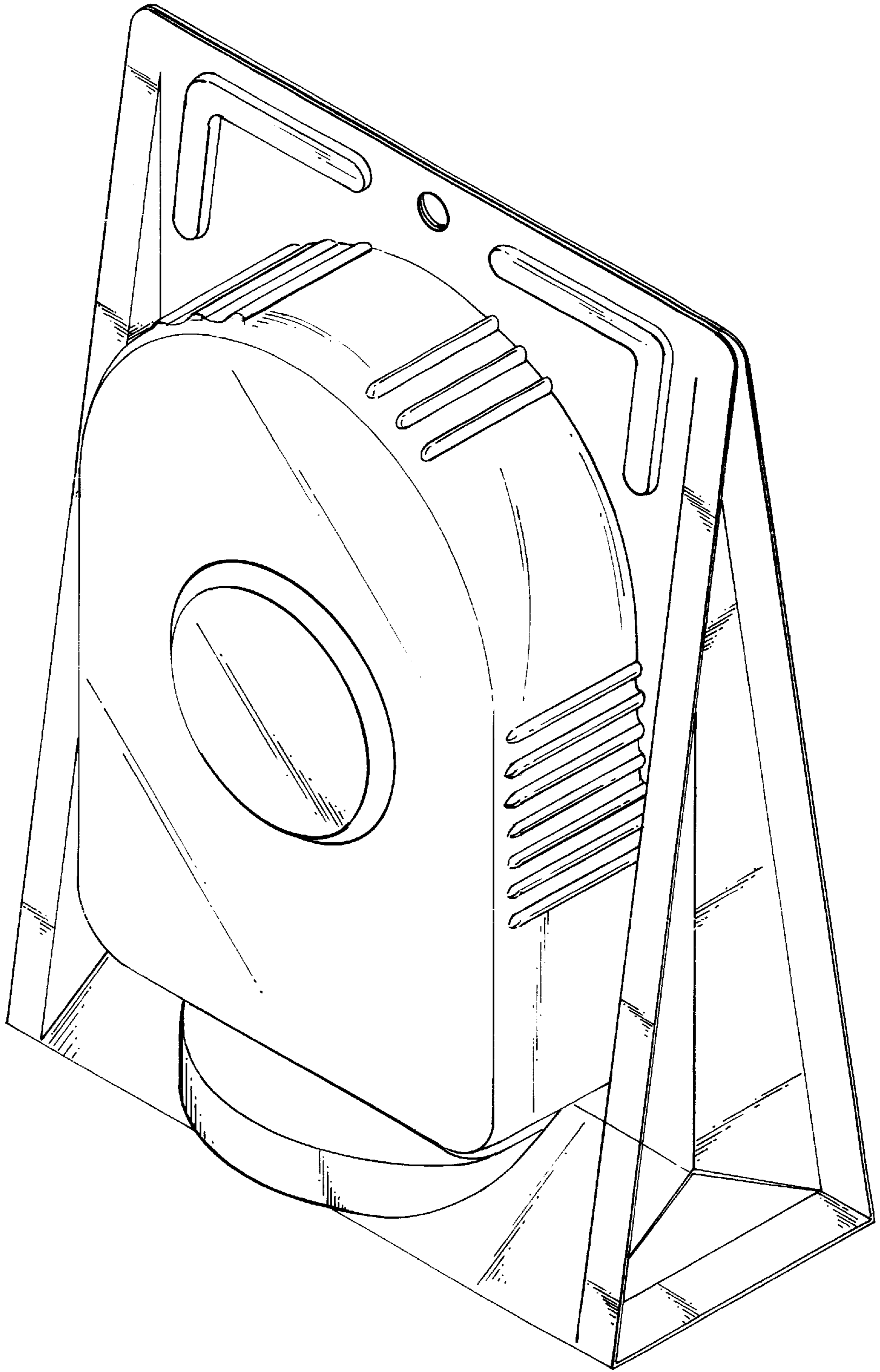
The ornamental design for a packing case, as shown.

DESCRIPTION

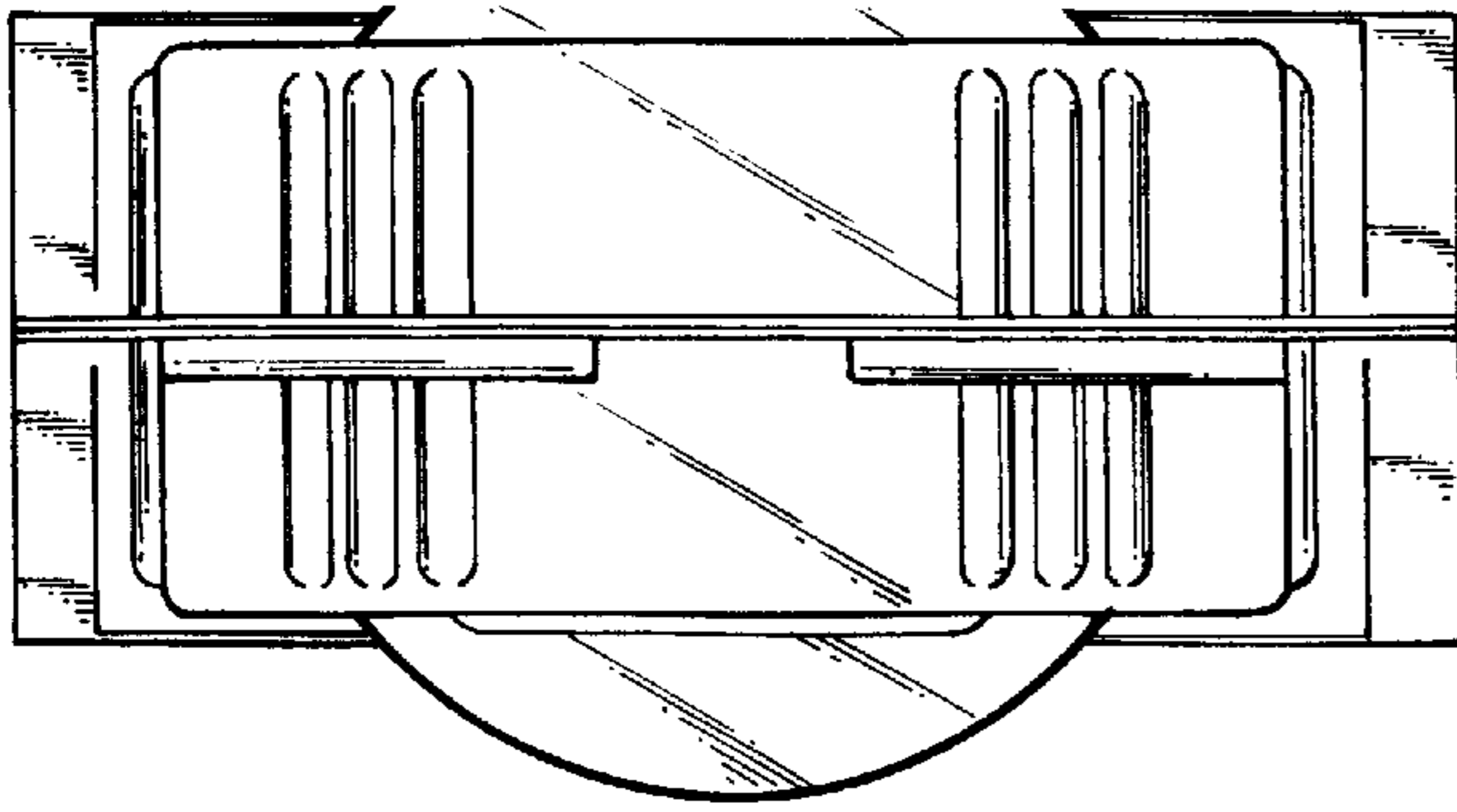
FIG. 1 is a perspective view showing my new design of packing case;
 FIG. 2 is a front side view;
 FIG. 3 is a right side view;
 FIG. 4 is a rear side view;
 FIG. 5 is a left side view;
 FIG. 6 is a top view; and,
 FIG. 7 is an under side view.

1 Claim, 3 Drawing Sheets

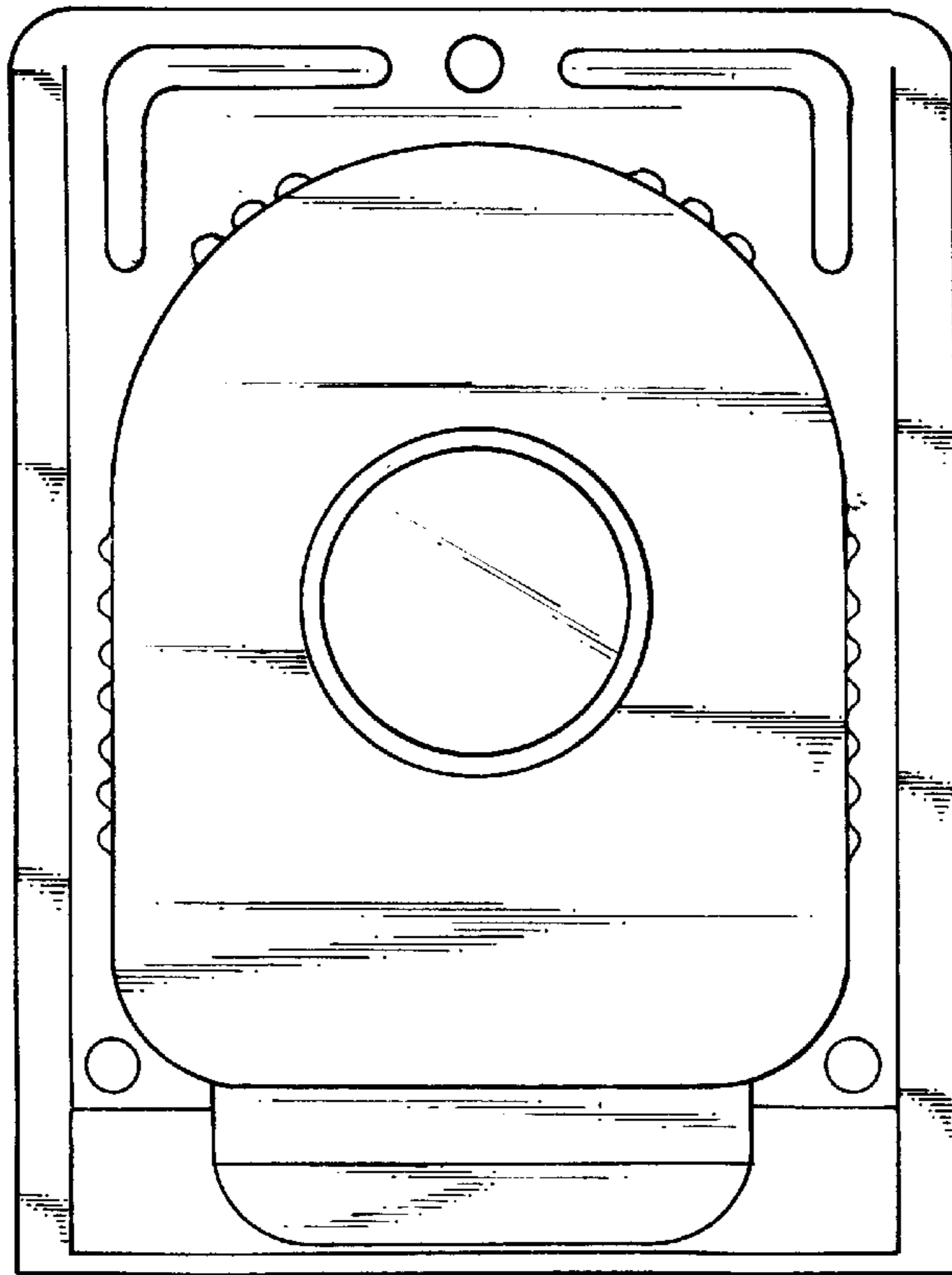




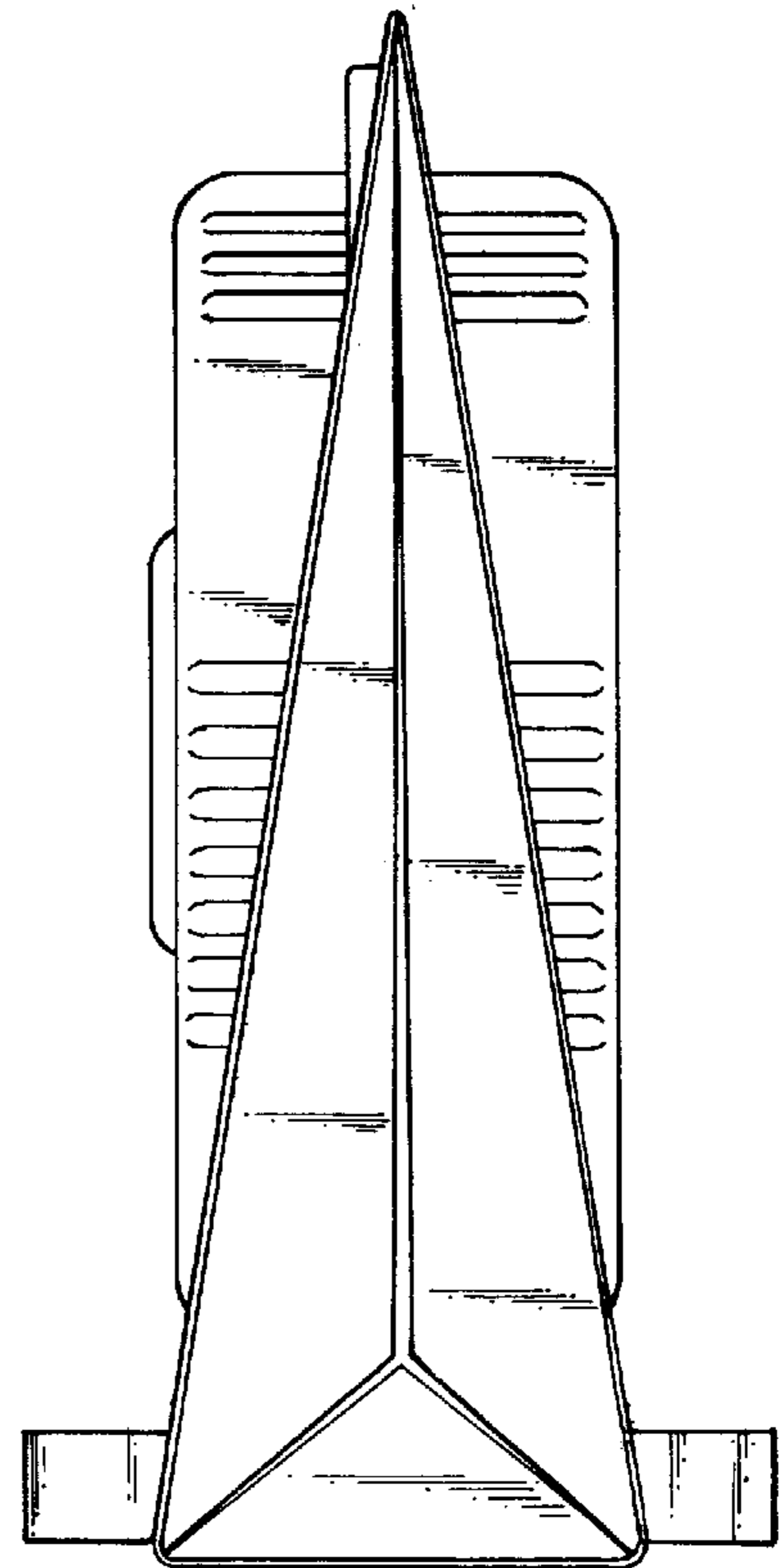
F I G 1



F I G 6



F I G 2



F I G 3

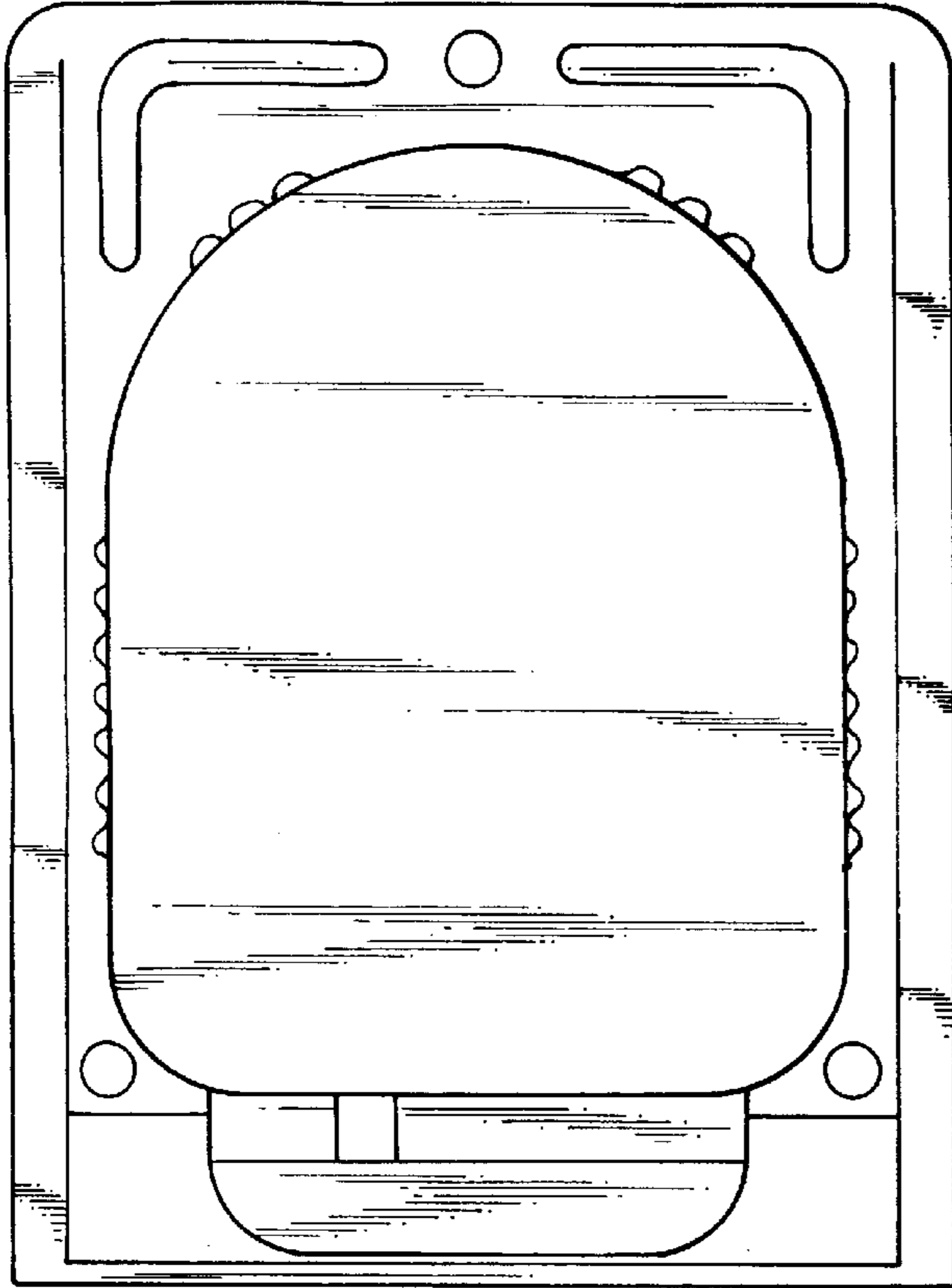


FIG 4

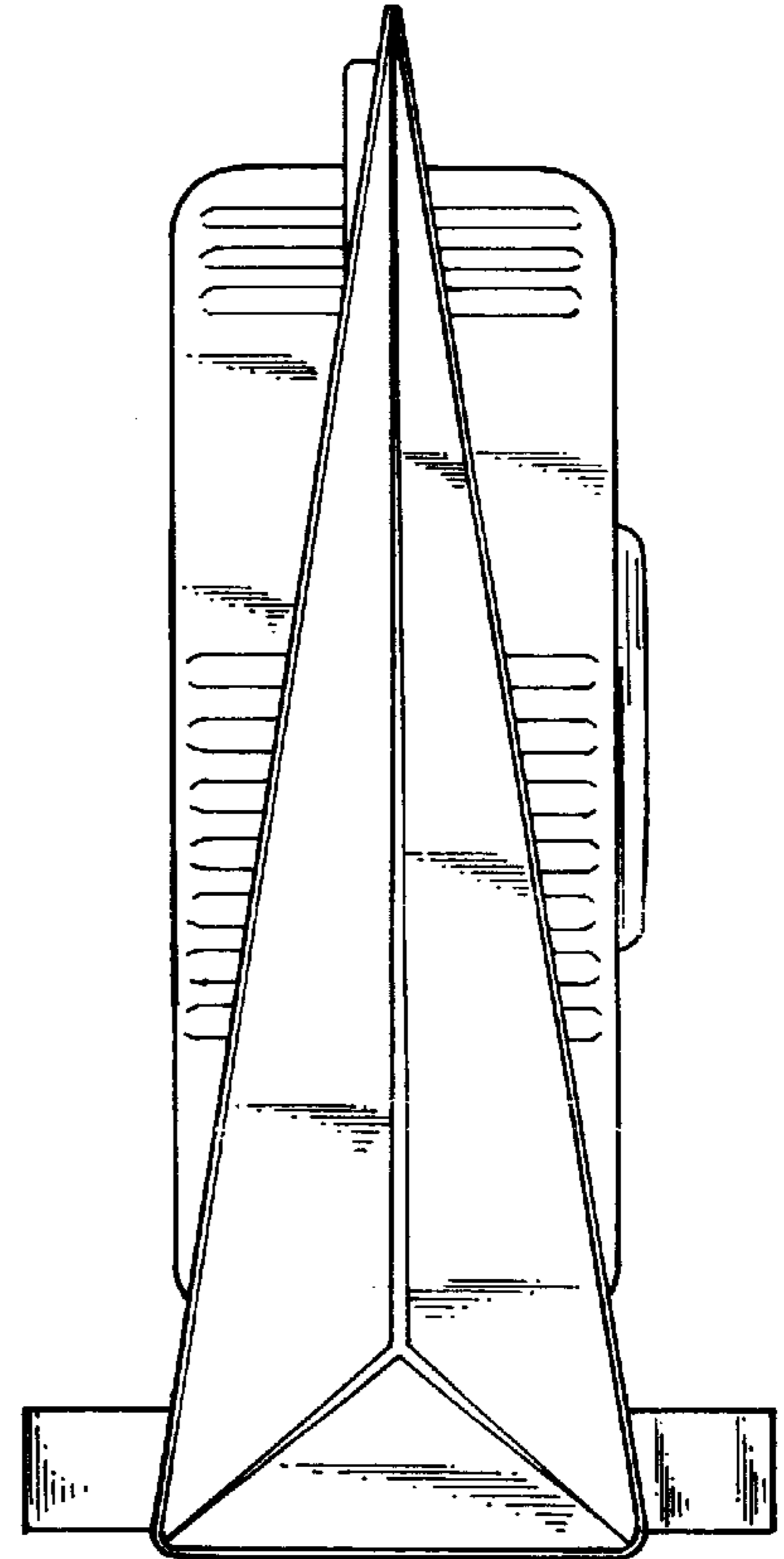


FIG 5

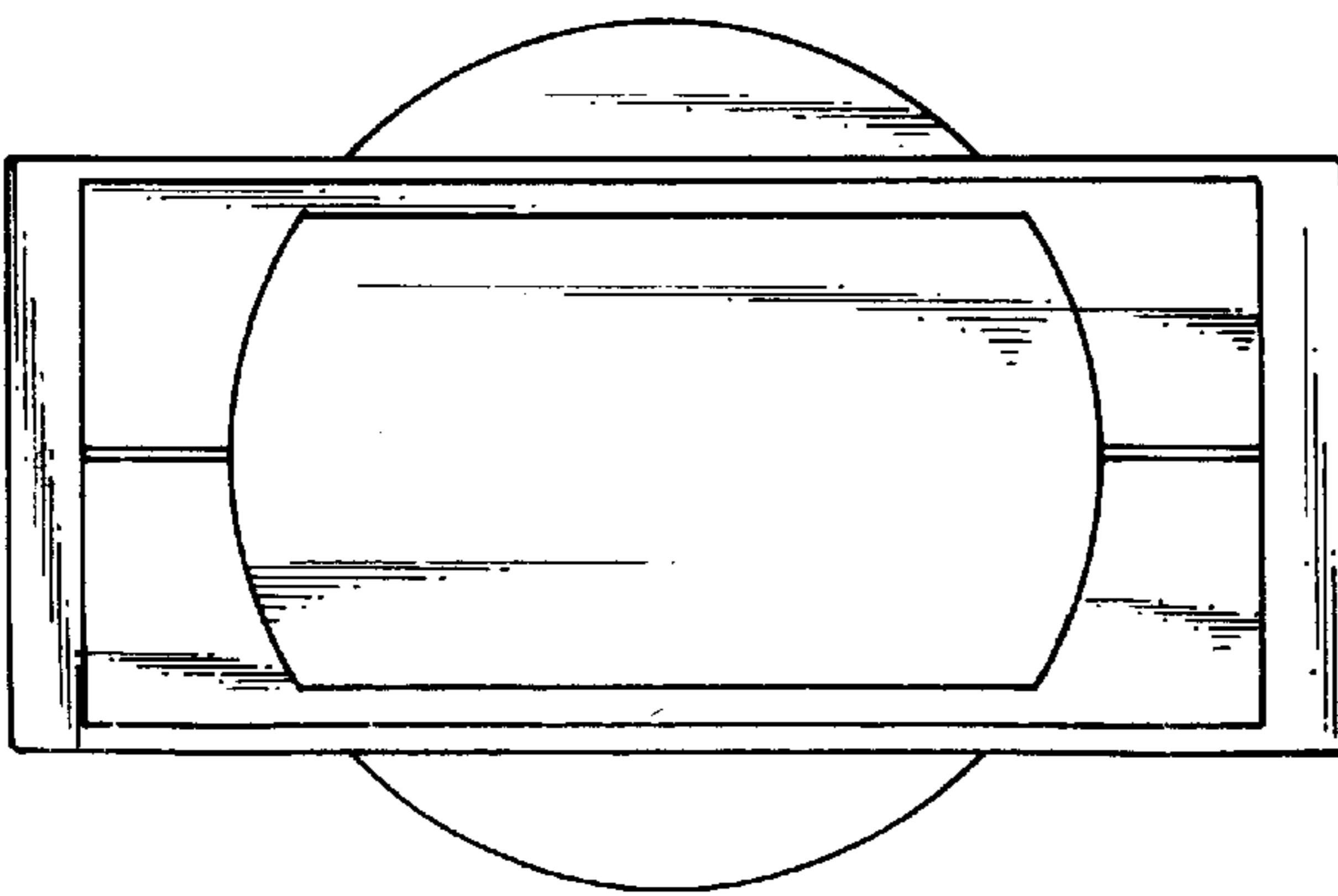


FIG 7