



US00D400097S

**United States Patent** [19]  
**Von Stein**

[11] **Patent Number: Des. 400,097**

[45] **Date of Patent: \*\*Oct. 27, 1998**

[54] **CONTAINER**

[75] Inventor: **Paul Von Stein**, Moon Township, Pa.

[73] Assignee: **SmithKline Beecham Corporation**, Philadelphia, Pa.

[\*\*] Term: **14 Years**

[21] Appl. No.: **73,210**

[22] Filed: **Jul. 3, 1997**

[51] **LOC (6) Cl.** ..... **09-07**

[52] **U.S. Cl.** ..... **D9/415**

[58] **Field of Search** ..... D9/415, 418, 341,  
D9/337; 206/461-471, 806, 349, 495

[56] **References Cited**

**U.S. PATENT DOCUMENTS**

- D. 309,430 7/1990 Cramer ..... D9/415
- D. 339,984 10/1993 Cohen ..... D9/415
- D. 387,980 12/1997 Snitzer et al. .... D9/415

- 4,257,522 3/1981 Thornberg ..... 206/806 X
- 4,347,930 9/1982 Herrin ..... 206/806 X
- 5,279,420 1/1994 Rodgers ..... 206/461 X
- 5,484,056 1/1996 Wood ..... 206/461 X

*Primary Examiner*—Prabhakar G. Deshmukh  
*Attorney, Agent, or Firm*—Nora Stein-Fernandez; Janice E. Williams; Edward T. Lentz

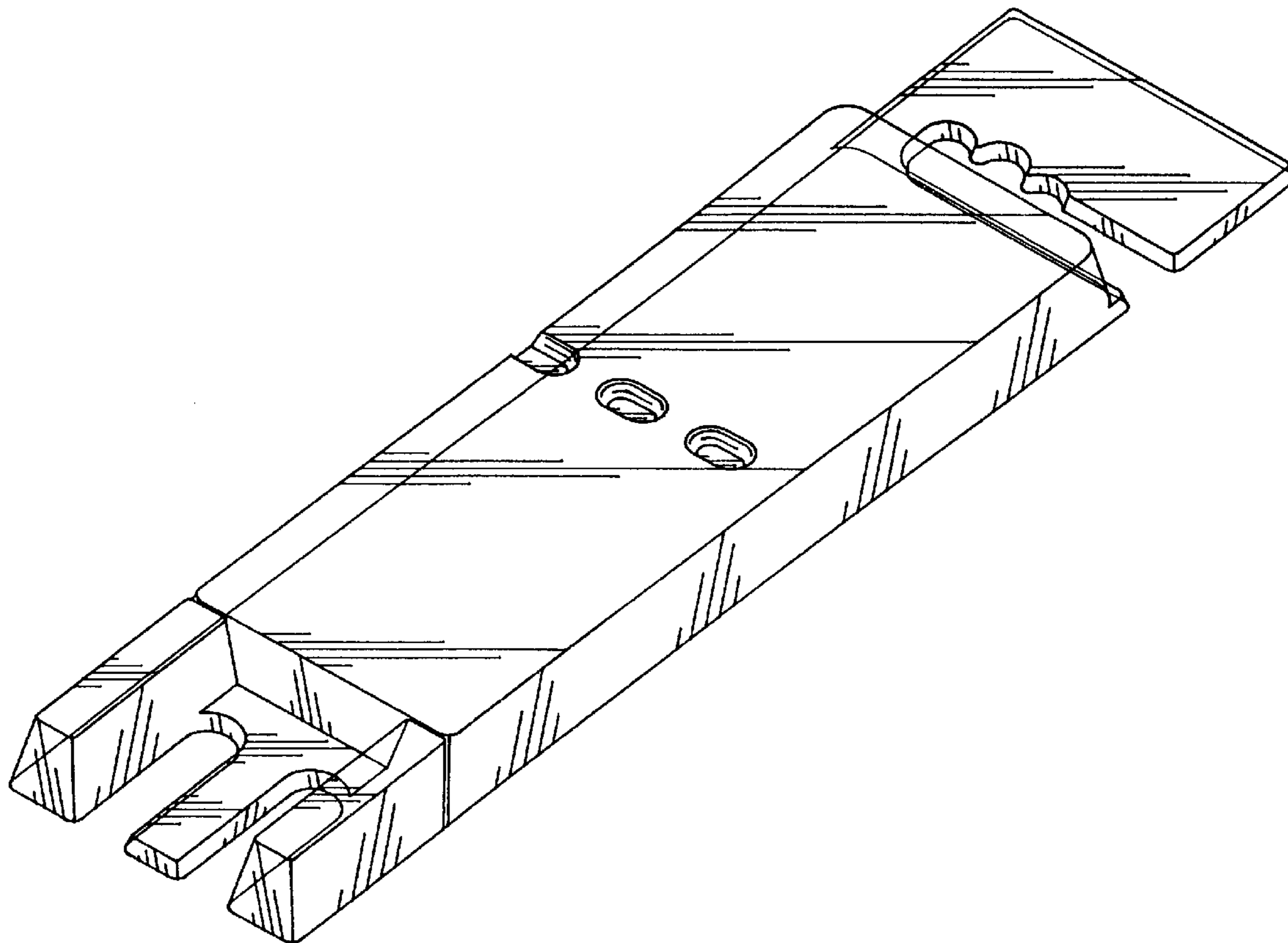
[57] **CLAIM**

The ornamental design for a container, as shown and described.

**DESCRIPTION**

FIG. 1 is a front view of the container;  
FIG. 2 is a left side view of the container;  
FIG. 3 is a right side view of the container;  
FIG. 4 is a top view of the container;  
FIG. 5 is a bottom view of the container;  
FIG. 6 is a back view of the container, and,  
FIG. 7 is a perspective view of the container.

**1 Claim, 4 Drawing Sheets**



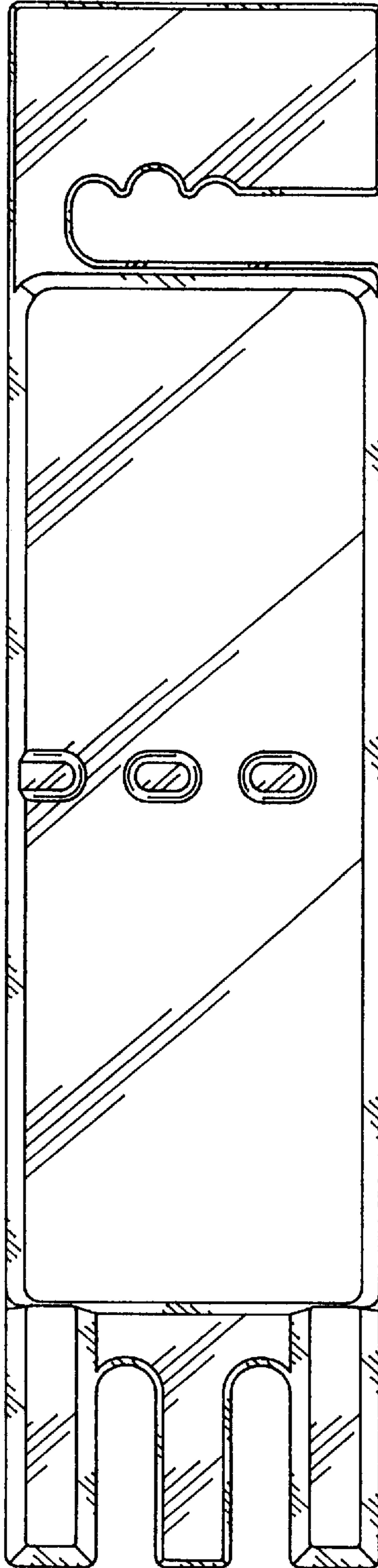


FIG. 1

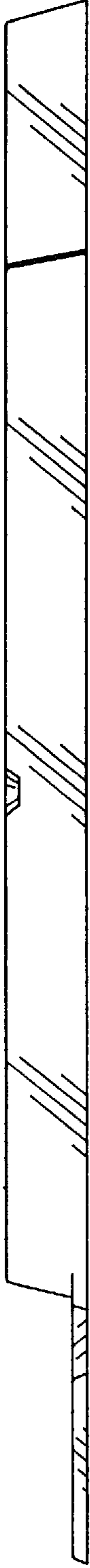


FIG. 2

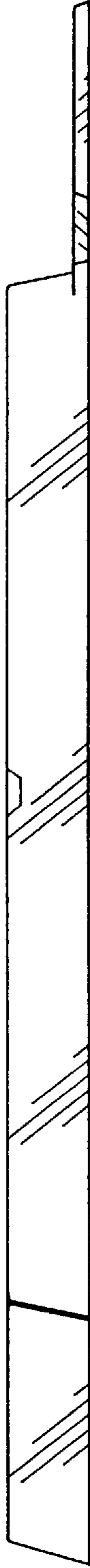


FIG. 3



FIG. 4



FIG. 5

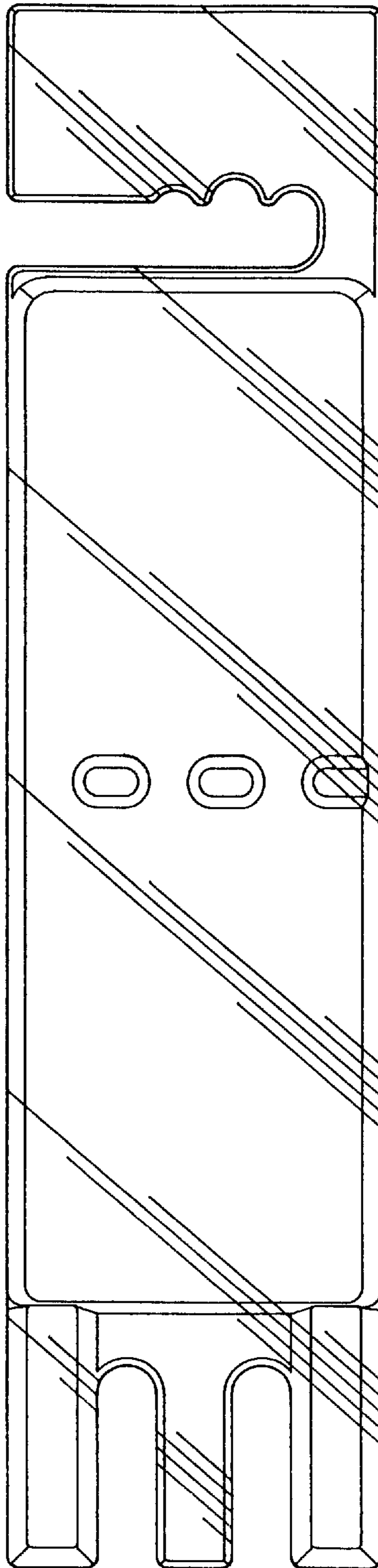


FIG. 6

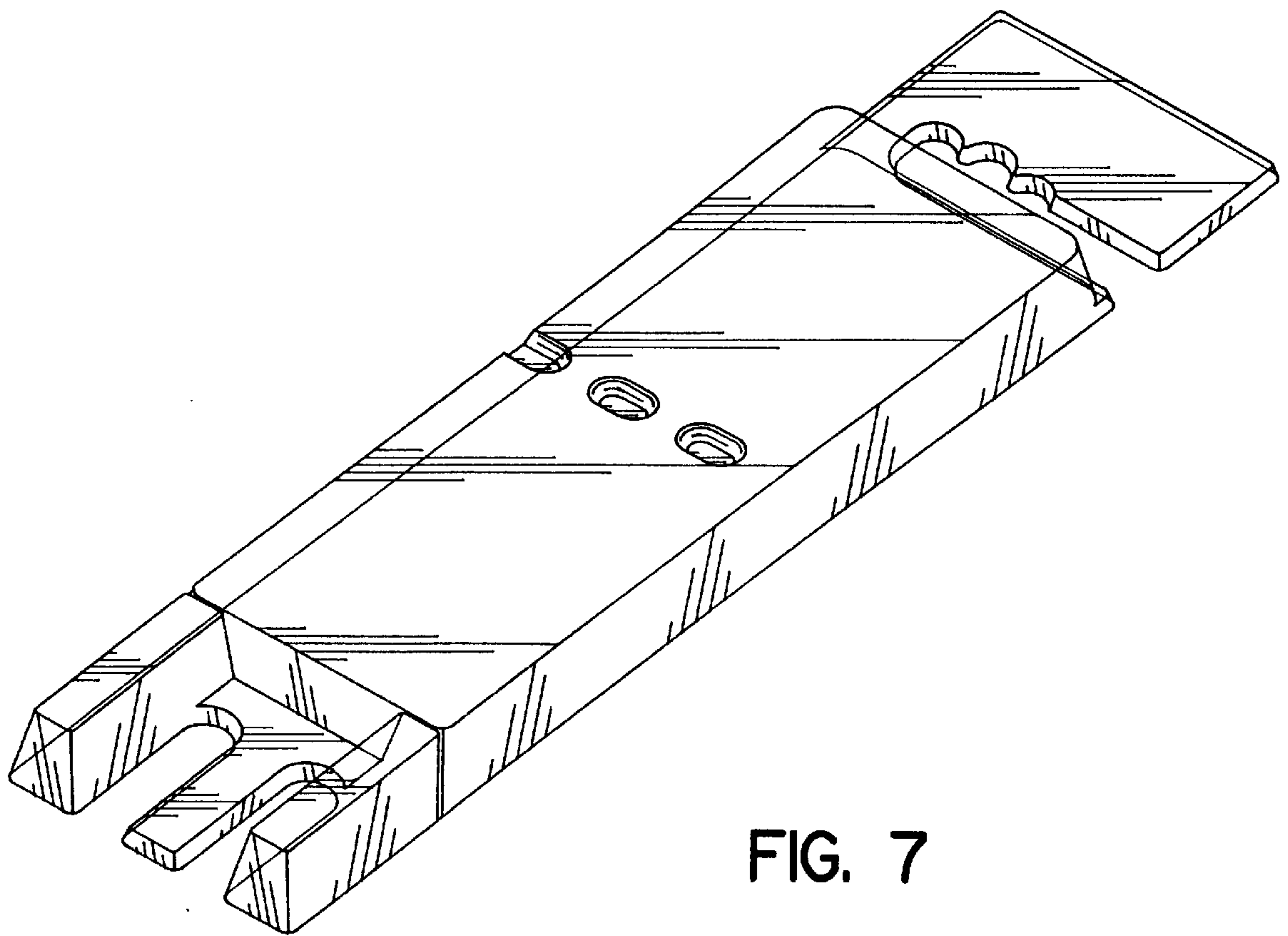


FIG. 7