

US00D400095S

United States Patent [19]

Uebele

[11] **Patent Number: Des. 400,095**

[45] **Date of Patent: **Oct. 27, 1998**

[54] **MULTIPLE ROUND AMMUNITION CARTON WITH INDIVIDUAL ROUND DISPENSER AND CARRYING HANDLE**

[75] Inventor: **Steven Alfred Uebele, Sherwood, Ak.**

[73] Assignee: **Remington Arms Company, Inc., Madison, N.C.**

[**] Term: **14 Years**

[21] Appl. No.: **67,487**

[22] Filed: **Mar. 10, 1997**

[51] **LOC (6) Cl. 09-03**

[52] **U.S. Cl. D9/339**

[58] **Field of Search D6/515, 517; D9/339, D9/414, 418, 432, 433; 206/141, 427, 738, 434; 221/305, 303; 229/117.13, 122.1**

[56] **References Cited**

U.S. PATENT DOCUMENTS

D. 120,649 5/1940 Novak D6/517

D. 321,134	10/1991	Toinet	D9/432 X
4,364,509	12/1982	Holley, Jr. et al.	221/303 X
4,685,566	8/1987	Wilson	206/427 X
4,955,529	9/1990	Barnhart	229/122.1
5,368,194	11/1994	Oliff et al.	221/305
5,458,272	10/1995	Ward-Weber	229/122.1

Primary Examiner—Ted Shooman
Assistant Examiner—Nanda Bondade
Attorney, Agent, or Firm—Huntley & Associates

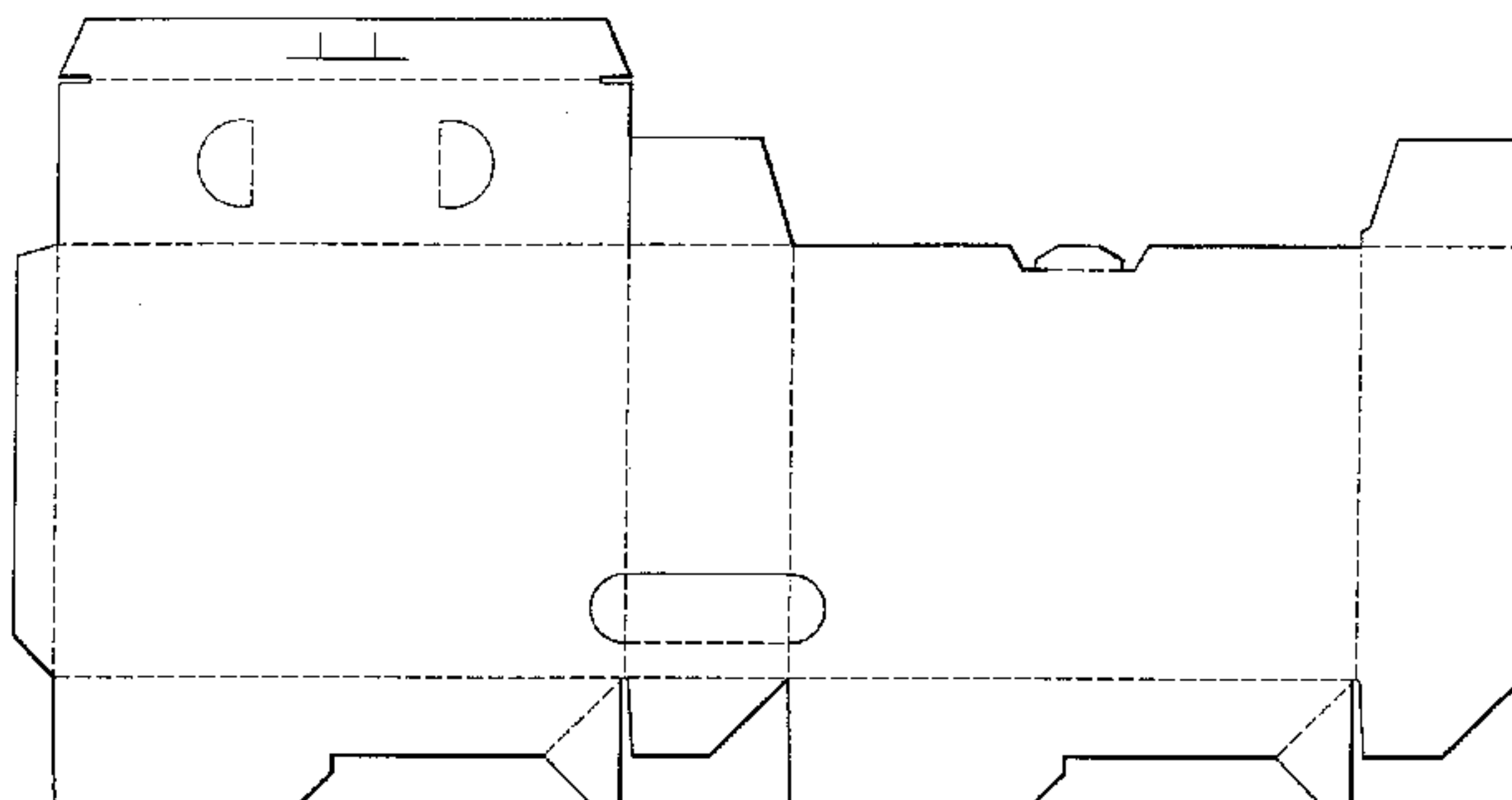
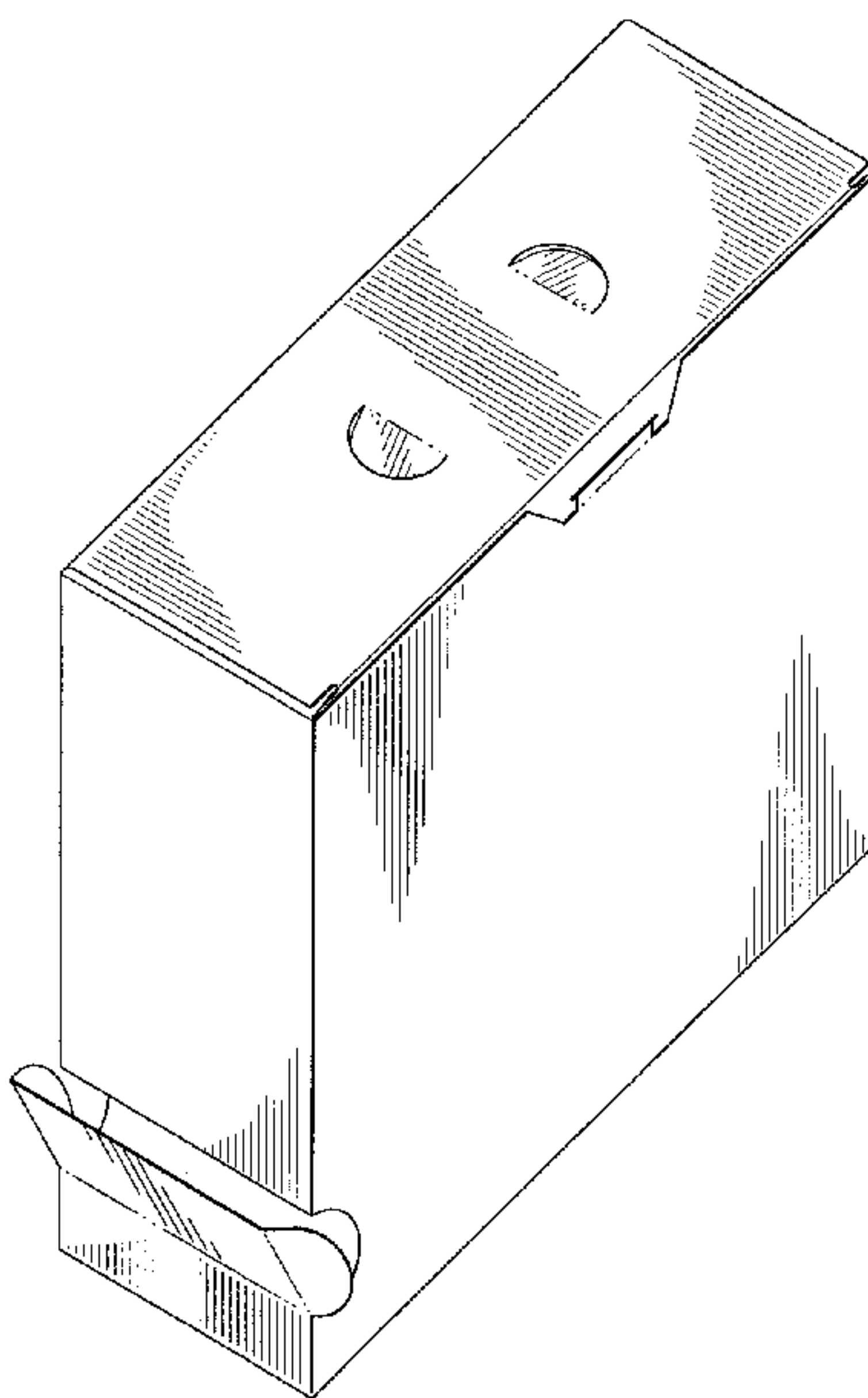
[57] **CLAIM**

The ornamental design for a multiple round ammunition carton with individual round dispenser and carrying handle, as shown and described.

DESCRIPTION

FIG. 1 is a top, front and side perspective view of a multiple round ammunition carton with individual round dispenser and carrying handle showing my new design; and, FIG. 2 is a reduced top plan view of the blank thereof. The broken line showing on FIGS. 1 and 2 represents fold lines.

1 Claim, 2 Drawing Sheets



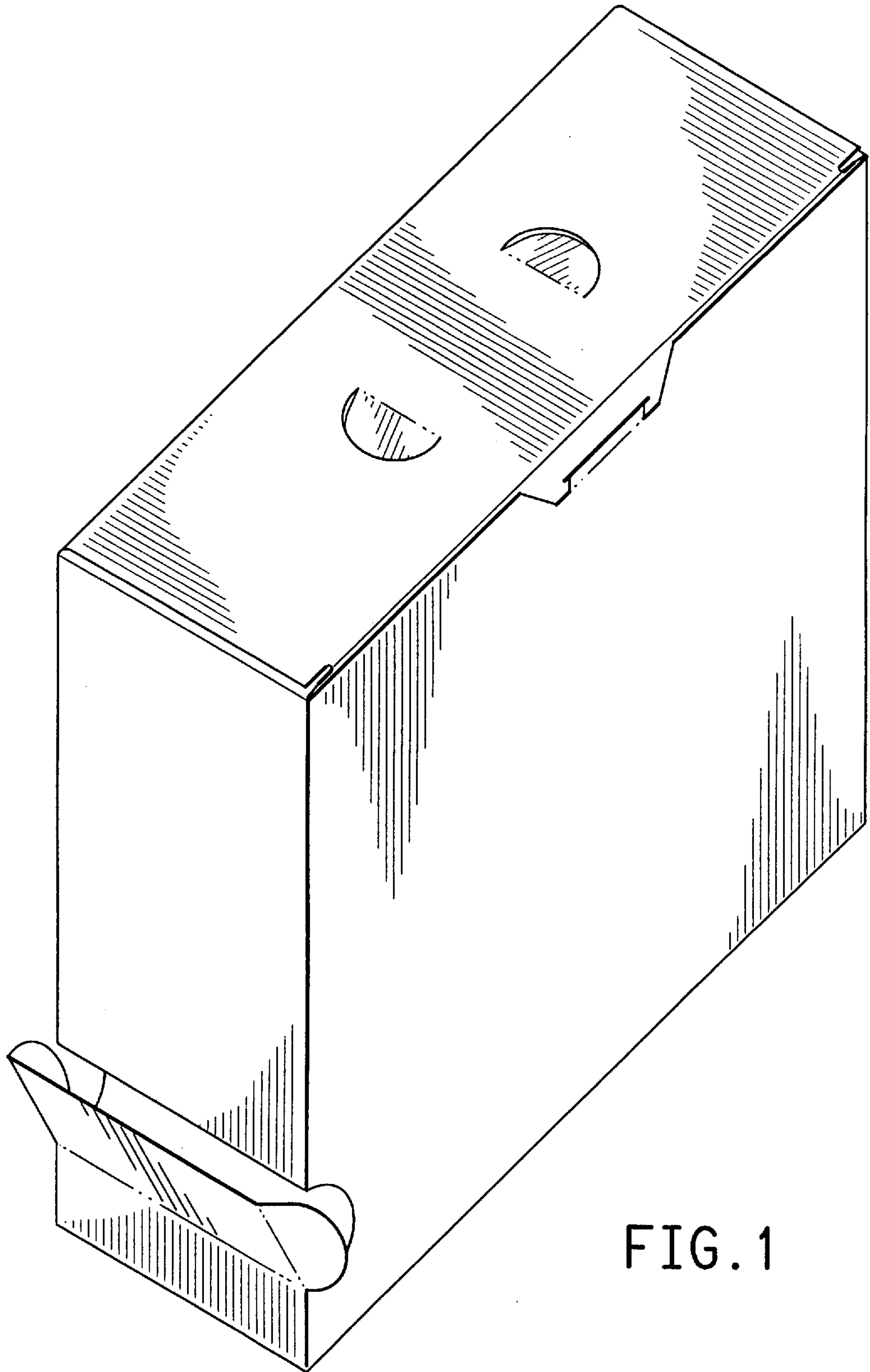


FIG. 1

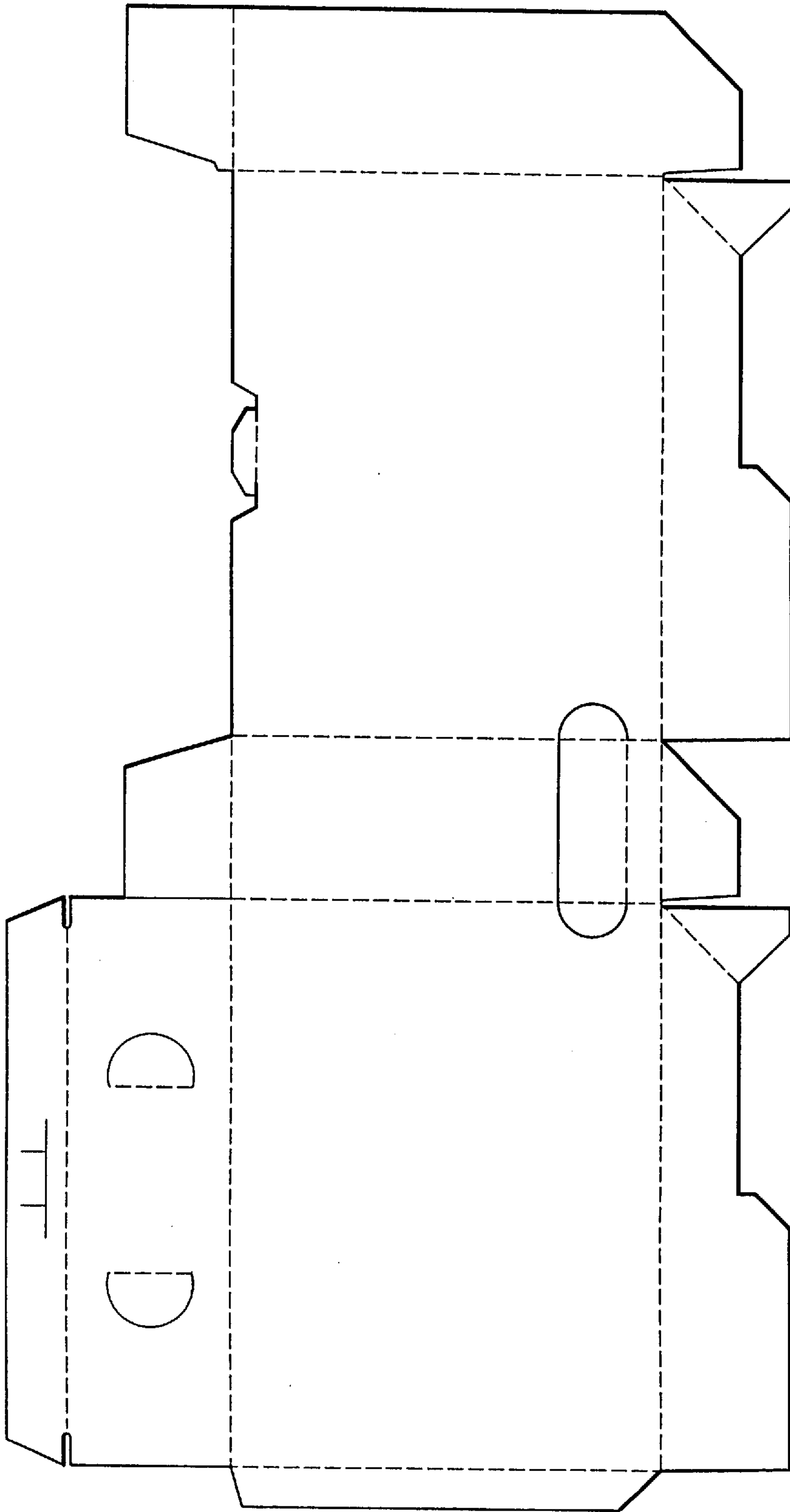


FIG. 2