



US00D400090S

# United States Patent [19] Coll

[11] **Patent Number: Des. 400,090**

[45] **Date of Patent: \*\*Oct. 27, 1998**

[54] **CABLE CLIP AND FASTENER COMBINATION**

*Primary Examiner—Holly Baynham  
Attorney, Agent, or Firm—Foley & Lardner*

[75] Inventor: **Gene Coll**, Cranford, N.J.

[57] **CLAIM**

[73] Assignee: **Diamond Communication Products, Inc.**, Garwood, N.J.

The ornamental design for a “cable clip and fastener combination”, as shown and described.

[\*\*] Term: **14 Years**

**DESCRIPTION**

[21] Appl. No.: **78,563**

FIG. 1 is a top perspective view of a cable clip and fastener combination, showing a first embodiment of my new design;

[22] Filed: **Oct. 29, 1997**

FIG. 2 is a side elevational view thereof, the opposite side being a mirror image of that shown;

[51] **LOC (6) Cl. .... 08-08**

FIG. 3 is a left end elevational view thereof;

[52] **U.S. Cl. .... D8/356; D8/356**

FIG. 4 is a right end elevational view thereof;

[58] **Field of Search .... D8/356, 394-396; 248/71, 74.1-74.4, 117.4, 117.6-117.7**

FIG. 5 is a top plan elevational view thereof;

FIG. 6 is a bottom plan view thereof;

[56] **References Cited**

**U.S. PATENT DOCUMENTS**

D. 239,364	3/1976	Mooney et al. ....	D8/396
D. 242,113	11/1976	Mooney et al. ....	D8/394
D. 342,013	12/1993	Sachs .....	D8/356
2,681,196	6/1954	Lind .....	D8/396 X
4,370,082	1/1983	Sundberg .....	248/71 X
4,655,423	4/1987	Schavilje et al. ....	248/71

FIG. 7 is a top perspective view of a cable clip and fastener combination, showing a second embodiment of my new design;

FIG. 8 is a side elevational view thereof, the opposite side being a mirror image of that shown;

FIG. 9 is a left end elevational view thereof;

FIG. 10 is a right end elevational view thereof;

FIG. 11 is a top plan elevational view thereof; and,

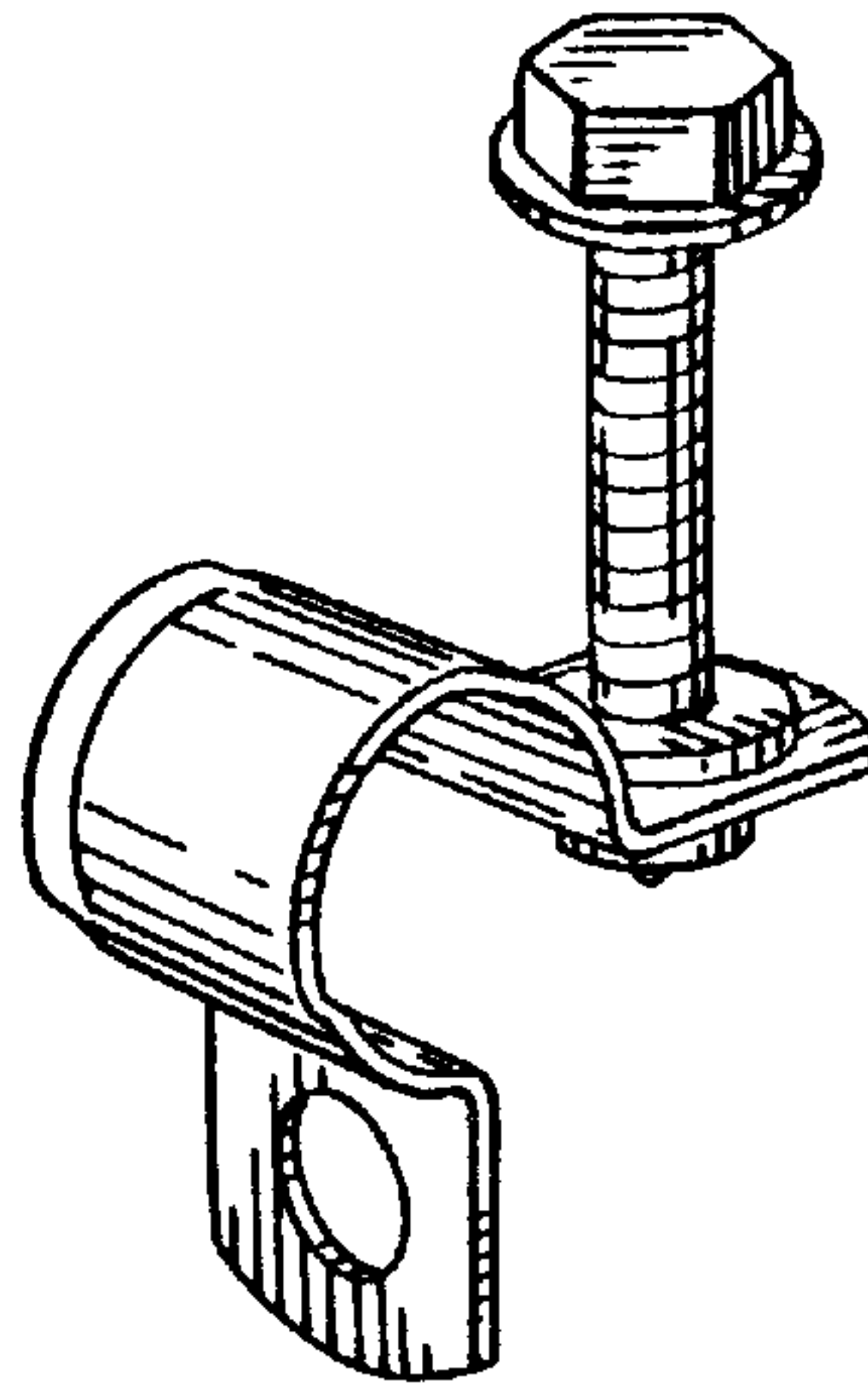
FIG. 12 is a bottom plan view thereof.

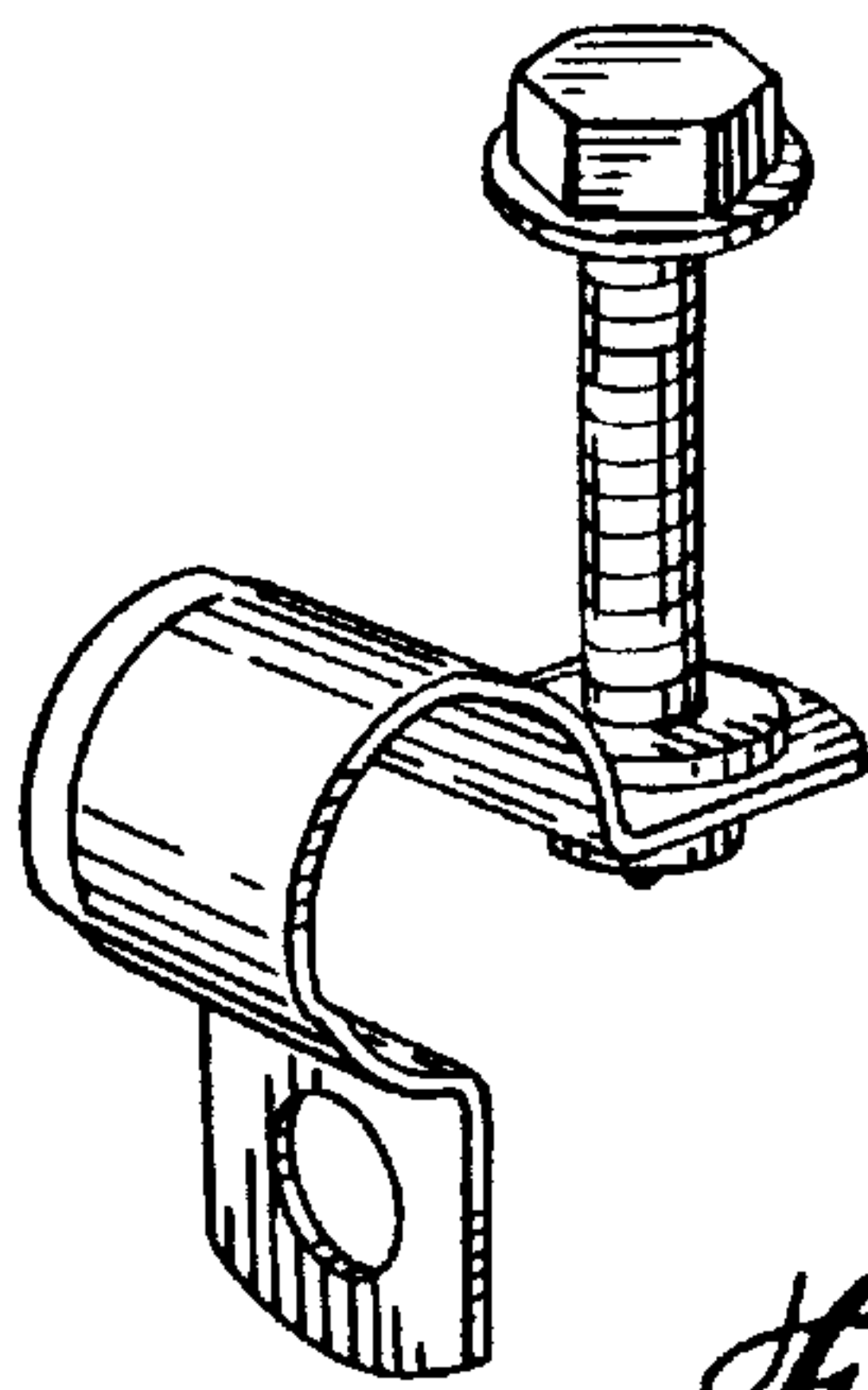
**OTHER PUBLICATIONS**

ITW LINX Communications Products, Advertising Leaflet on “ScrewIn” clips 1996.

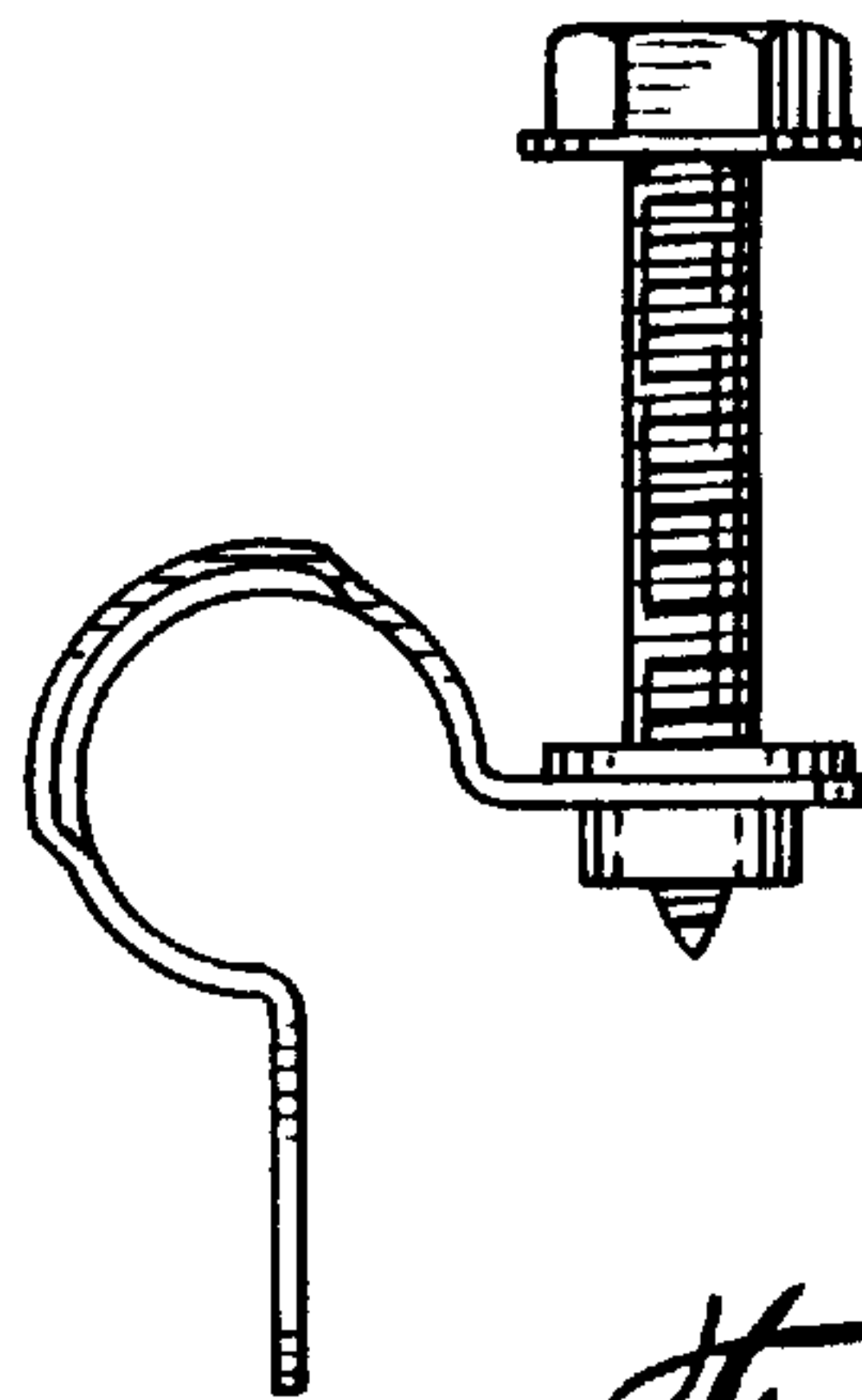
ITW LINX Communications Products, Advertising Leaflet on Cord Clips 1996.

**1 Claim, 2 Drawing Sheets**

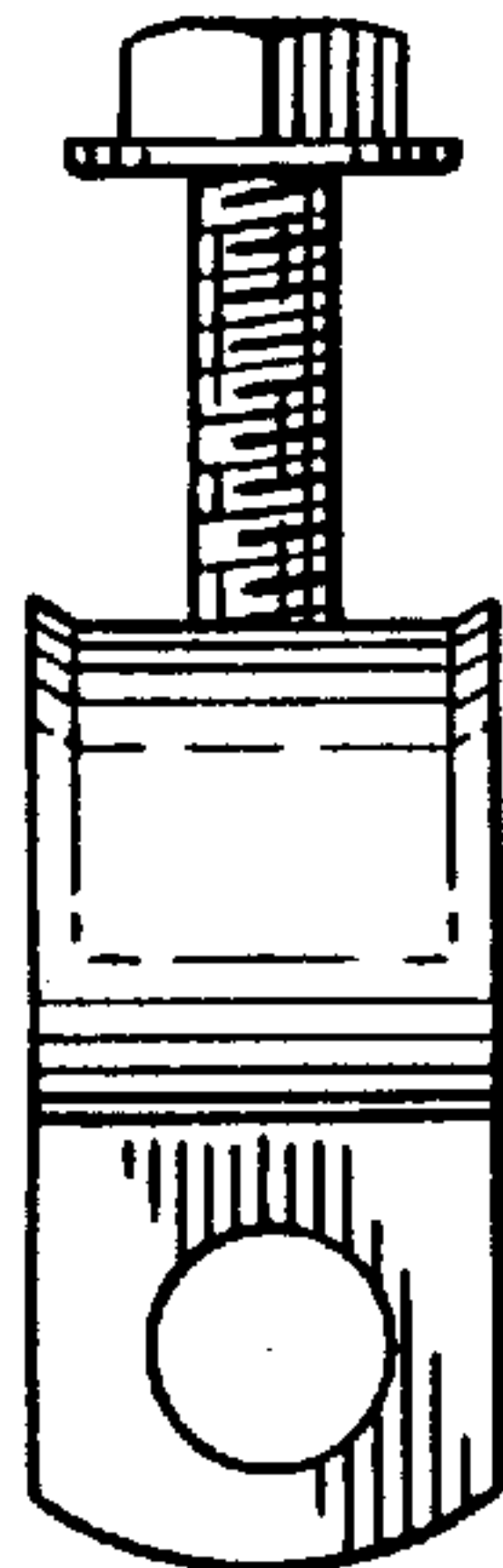




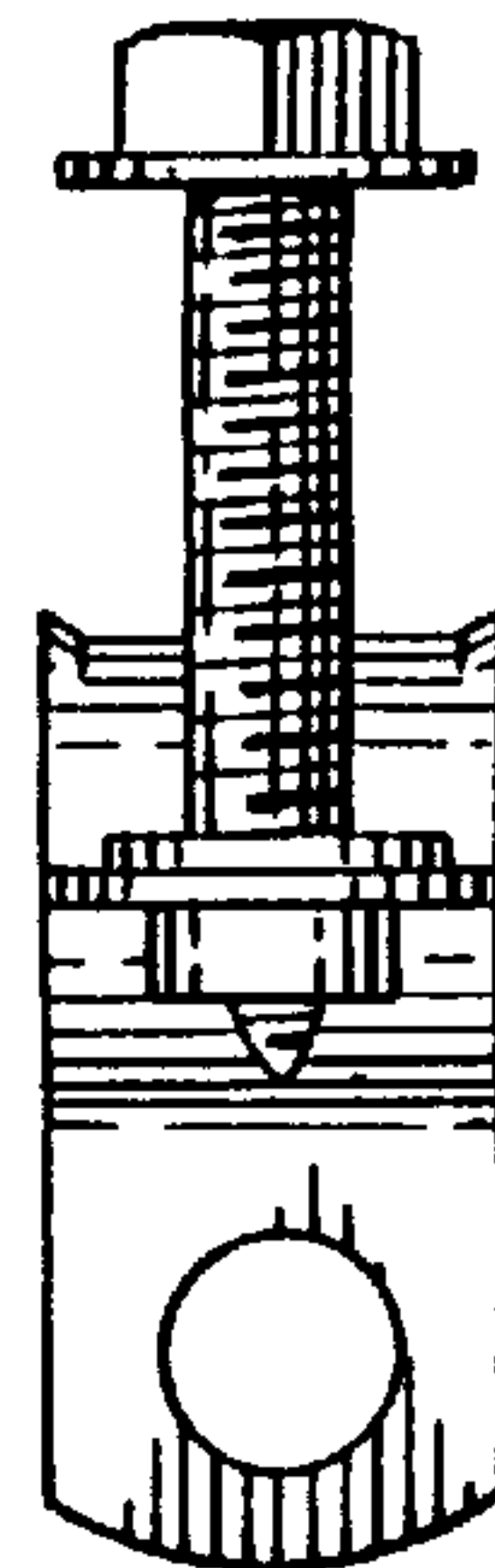
*Fig. 1*



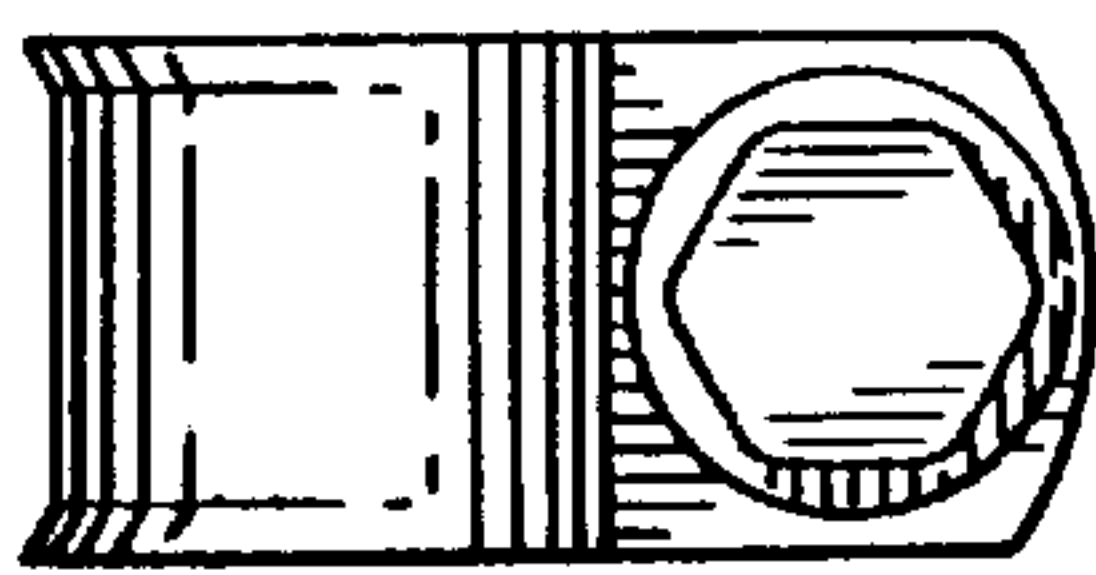
*Fig. 2*



*Fig. 3*

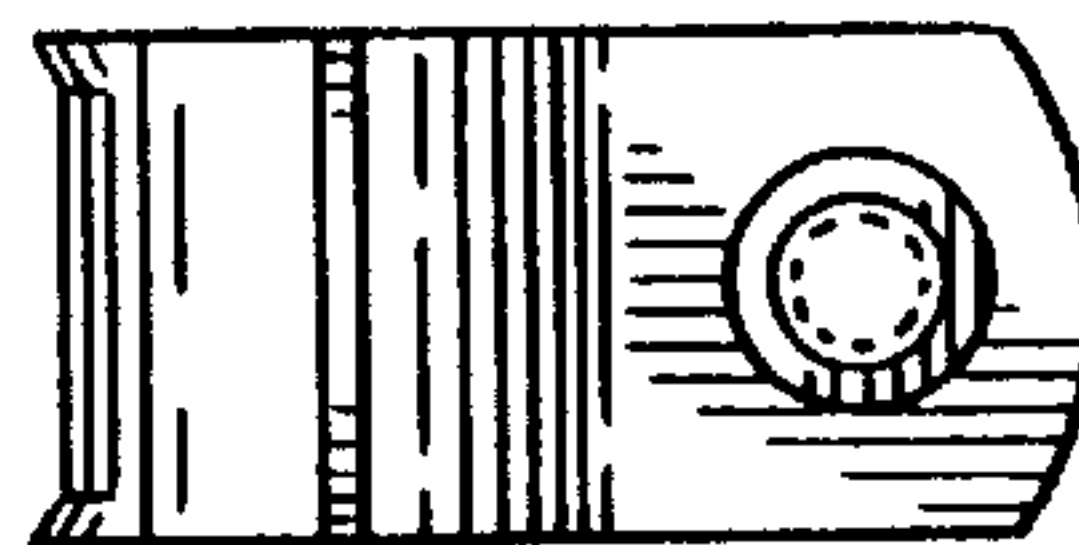


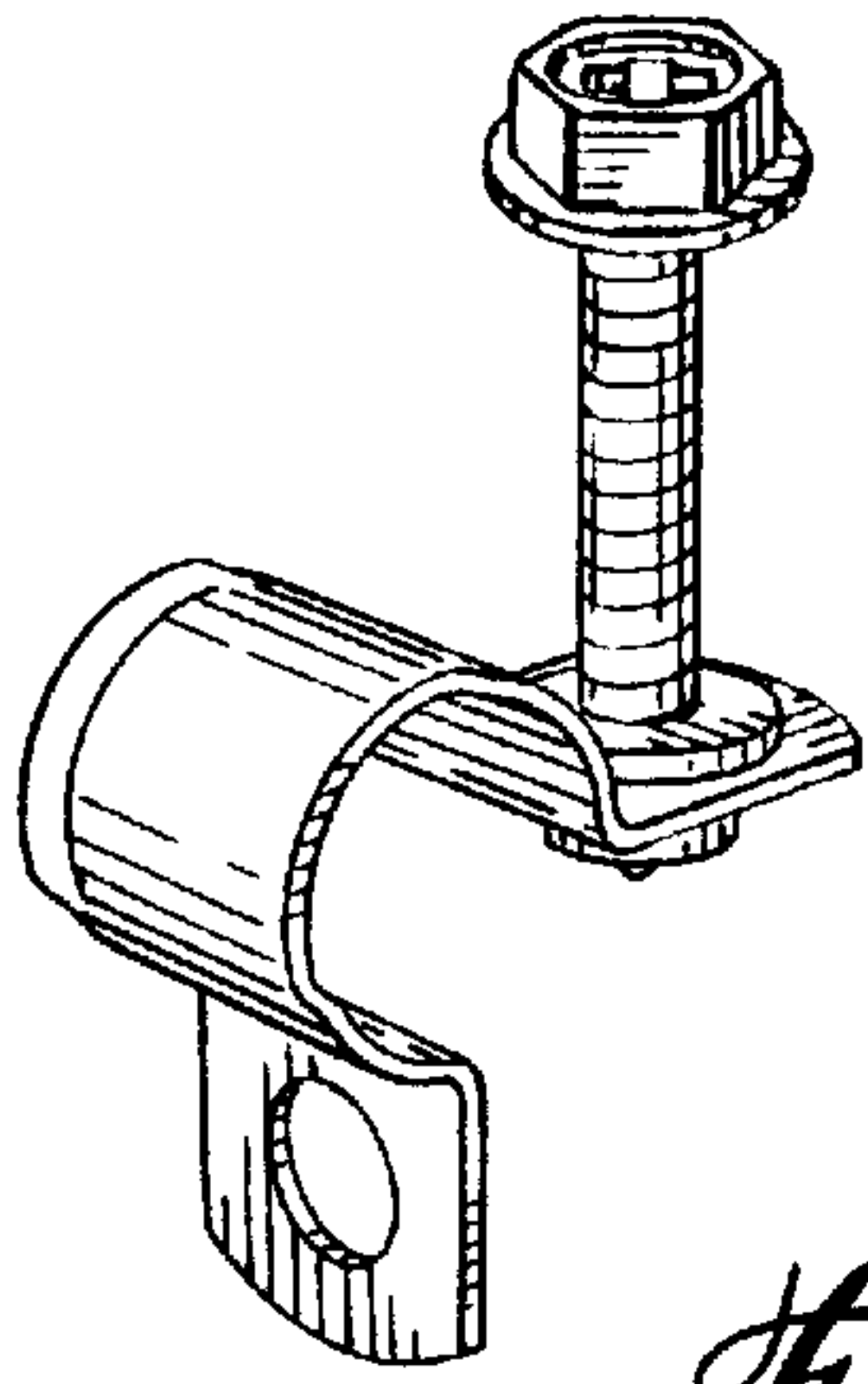
*Fig. 4*



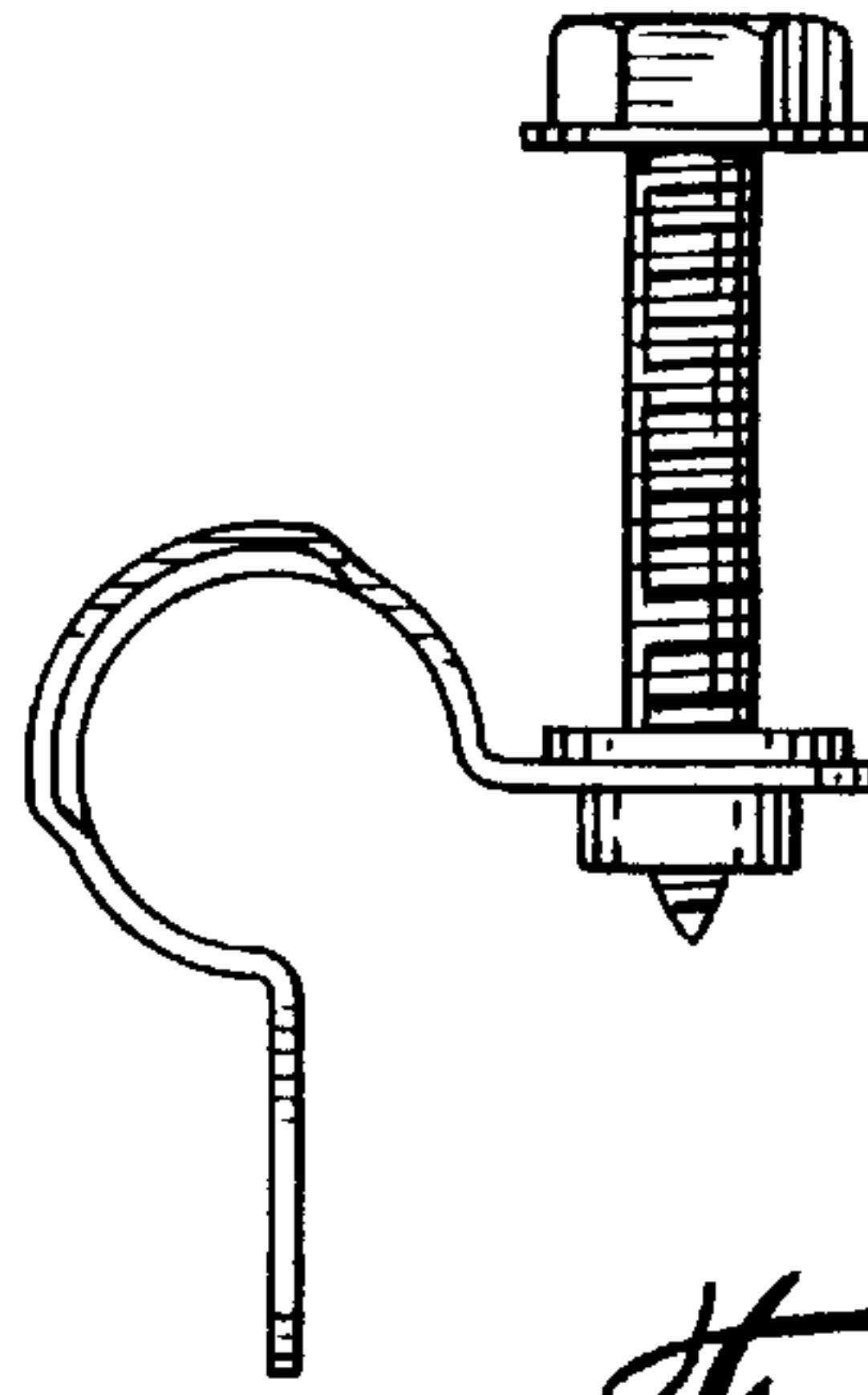
*Fig. 5*

*Fig. 6*

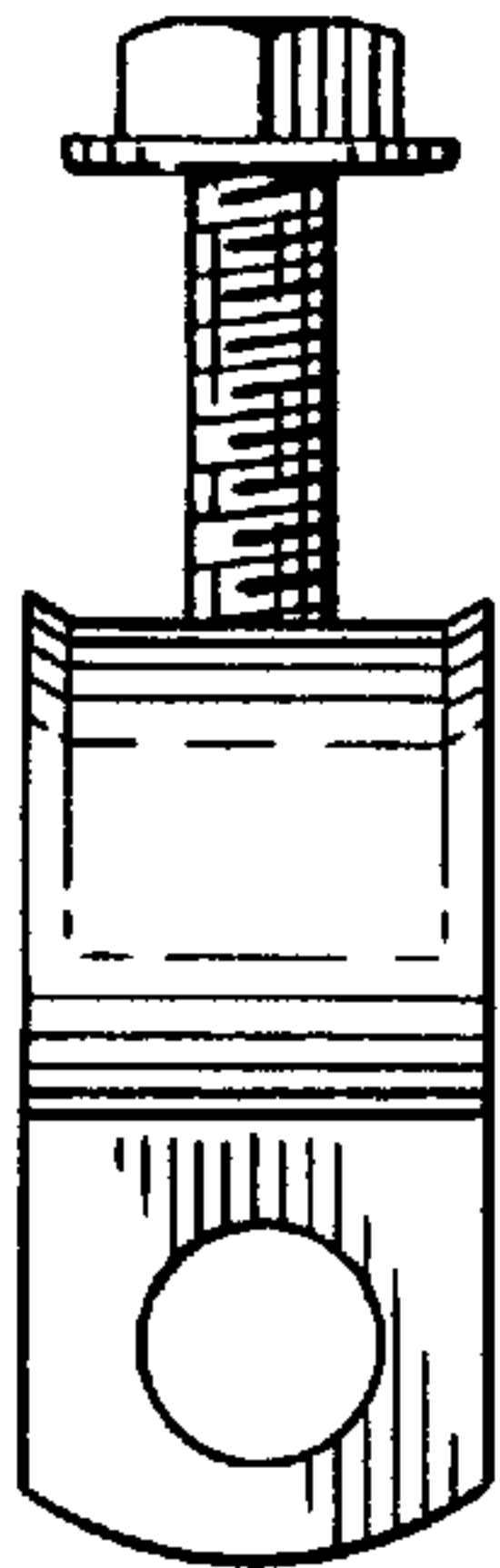




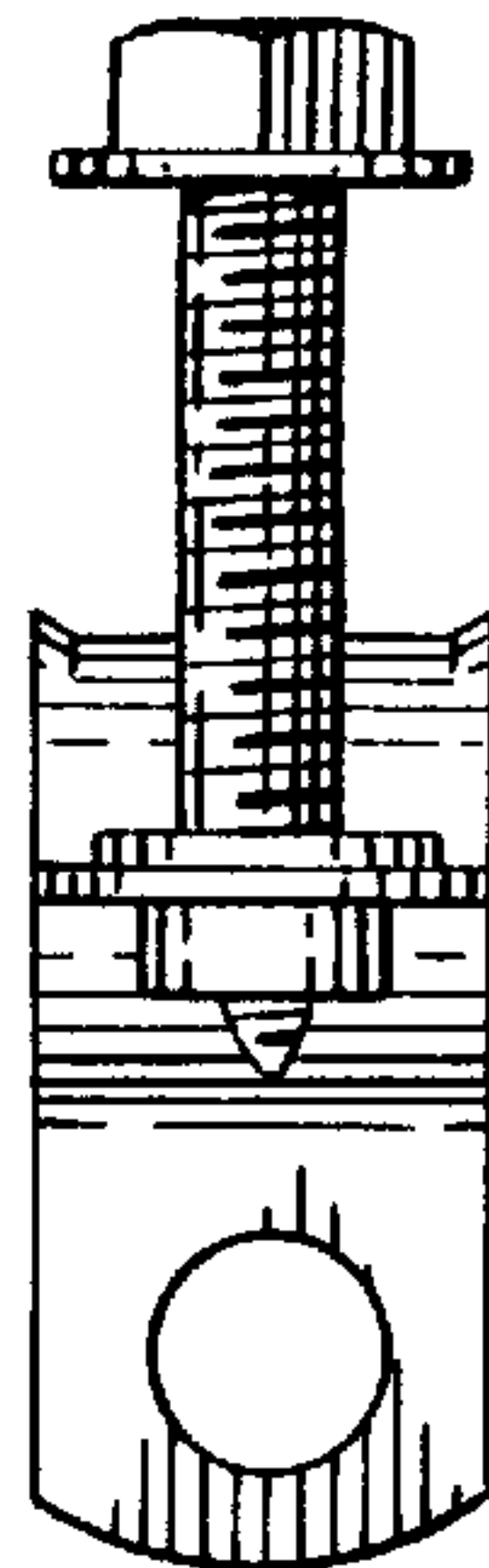
*Fig. 7*



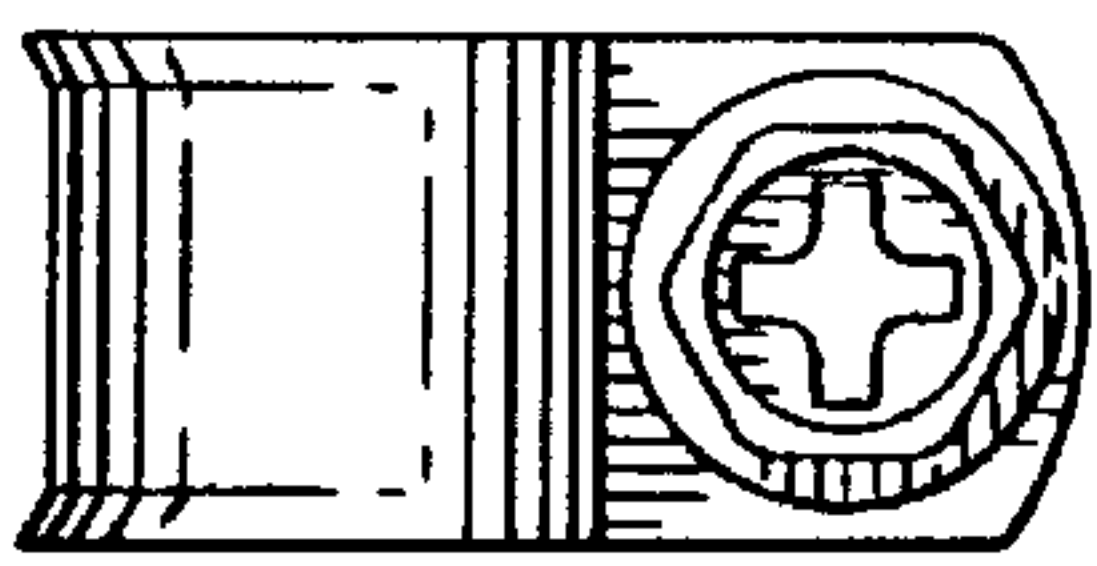
*Fig. 8*



*Fig. 9*



*Fig. 10*



*Fig. 11*

*Fig. 12*

