

US00D400085S

# United States Patent [19] Haskin

[11] Patent Number: Des. 400,085

[45] Date of Patent: \*\*Oct. 27, 1998

[54] CAMERA MOUNT

[75] Inventor: Igor Haskin, Skokie, Ill.

[73] Assignee: Peerless Industries, Melrose Park, Ill.

[\*\*] Term: 14 Years

[21] Appl. No.: 77,676

[22] Filed: Aug. 4, 1997

[51] LOC (6) Cl. .... 08-05

[52] U.S. Cl. .... D8/363

[58] Field of Search ..... D8/363, 349; 248/311.2,  
248/309.1, 288.1, 229, 475.1, 227; 396/427

- 4,645,155 2/1987 Eldon et al. .
- 4,708,510 11/1987 McConnell et al. .
- 4,770,382 9/1988 Lehti .
- 4,986,503 1/1991 Kabai .
- 5,056,951 10/1991 Mariani .
- 5,224,675 7/1993 Ellenberger et al. .
- 5,251,859 10/1993 Cyrell et al. .
- 5,398,901 3/1995 Brodmann et al. .
- 5,505,415 4/1996 Brett .
- 5,544,968 8/1996 Goellner .

Primary Examiner—Holly Baynham  
Attorney, Agent, or Firm—Lockwood, Alex, FitzGibbon & Cummings

## [56] References Cited

### U.S. PATENT DOCUMENTS

- D. 228,380 9/1973 Gorishck ..... D8/363
- D. 307,915 5/1990 Kuester .
- D. 340,940 11/1993 Ellenberger et al. .
- D. 360,844 8/1995 Miller et al. .... D8/363
- 1,435,347 11/1922 Taylor .
- 2,497,804 9/1950 Stearns .
- 3,781,047 12/1973 Surko, Jr. .
- 3,841,769 10/1974 Bowerman .
- 4,157,876 6/1979 DiGiulio .
- 4,531,855 7/1985 Wallis .
- 4,613,251 9/1986 Bellamy et al. .

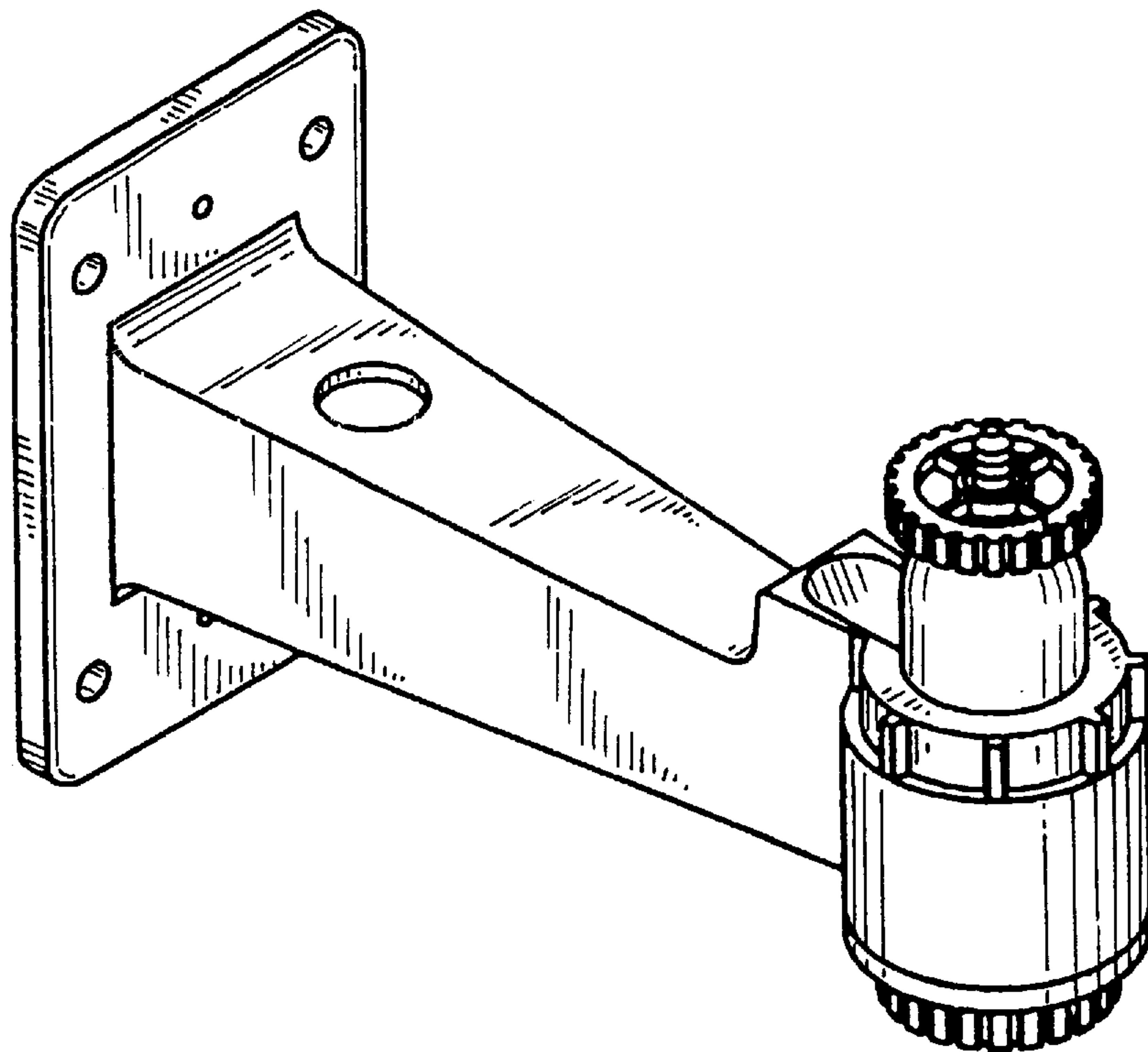
## [57] CLAIM

The ornamental design for a camera mount, as shown and described.

## DESCRIPTION

FIG. 1 is a perspective view of a camera mount showing my new design;  
 FIG. 2 is a elevational view of one side thereof, with the other side being a mirror image thereof;  
 FIG. 3 is a front elevational view thereof;  
 FIG. 4 is a top plan view thereof;  
 FIG. 5 is a bottom plan view thereof; and,  
 FIG. 6 is a rear elevational view thereof.

1 Claim, 2 Drawing Sheets



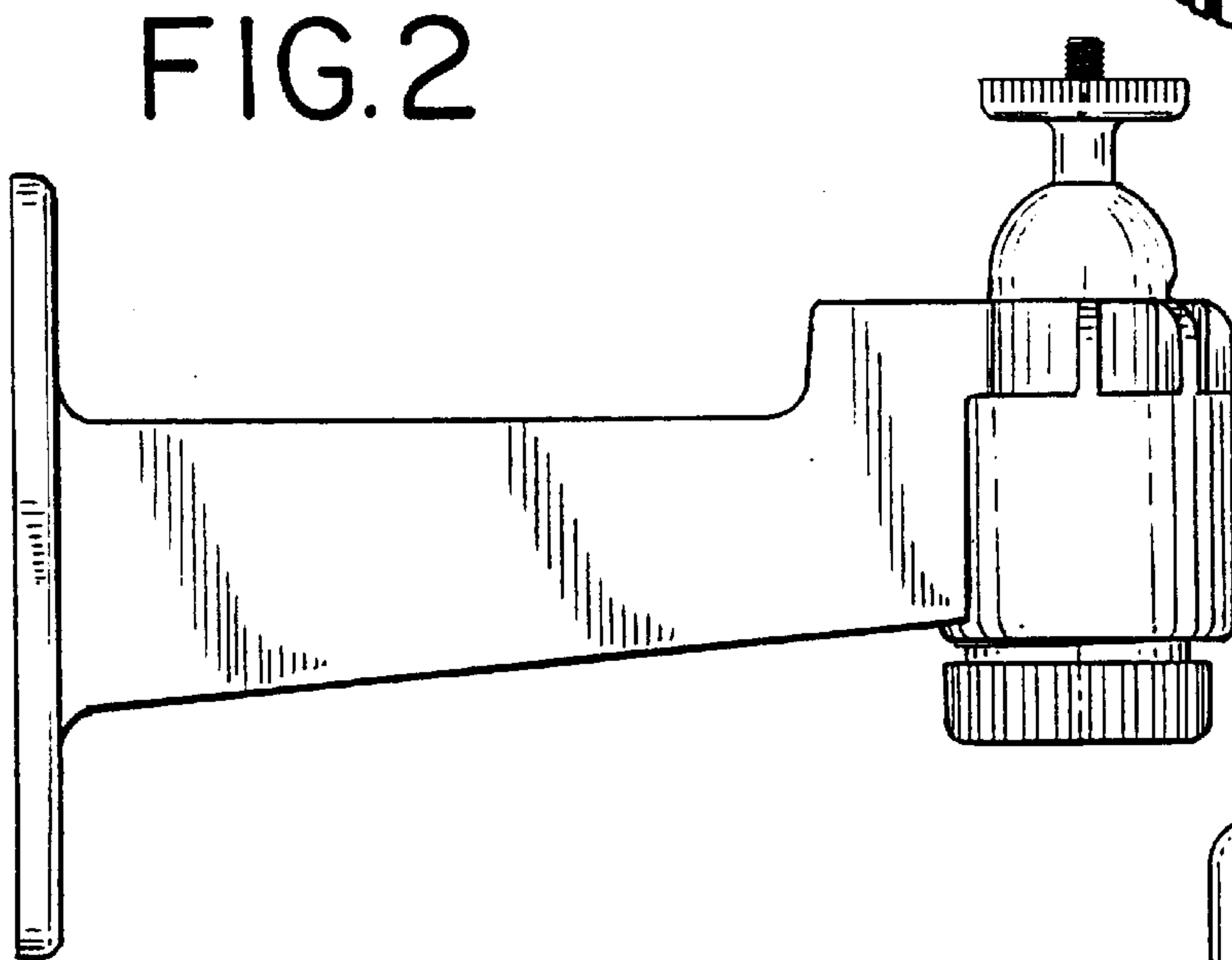
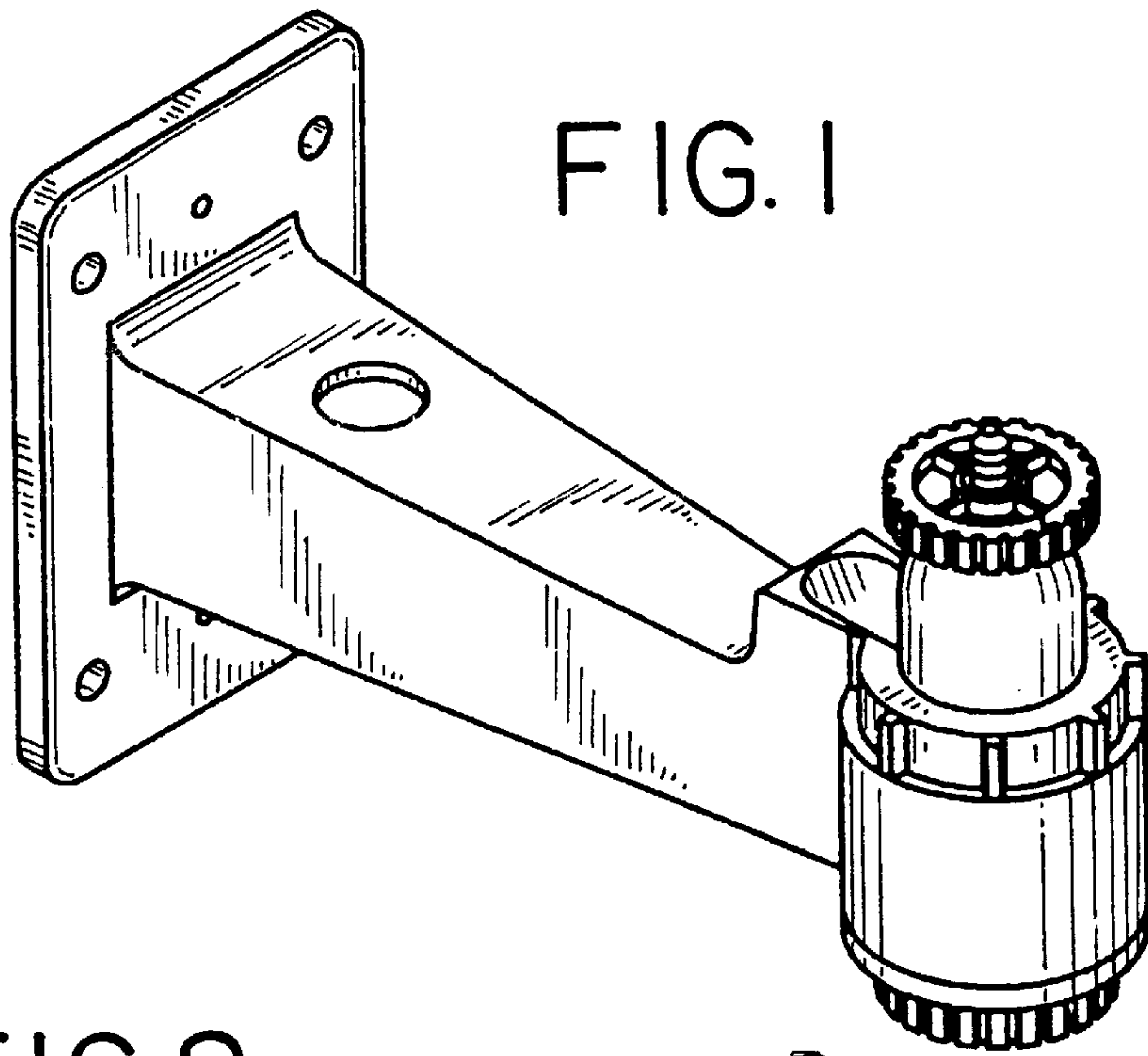


FIG. 3

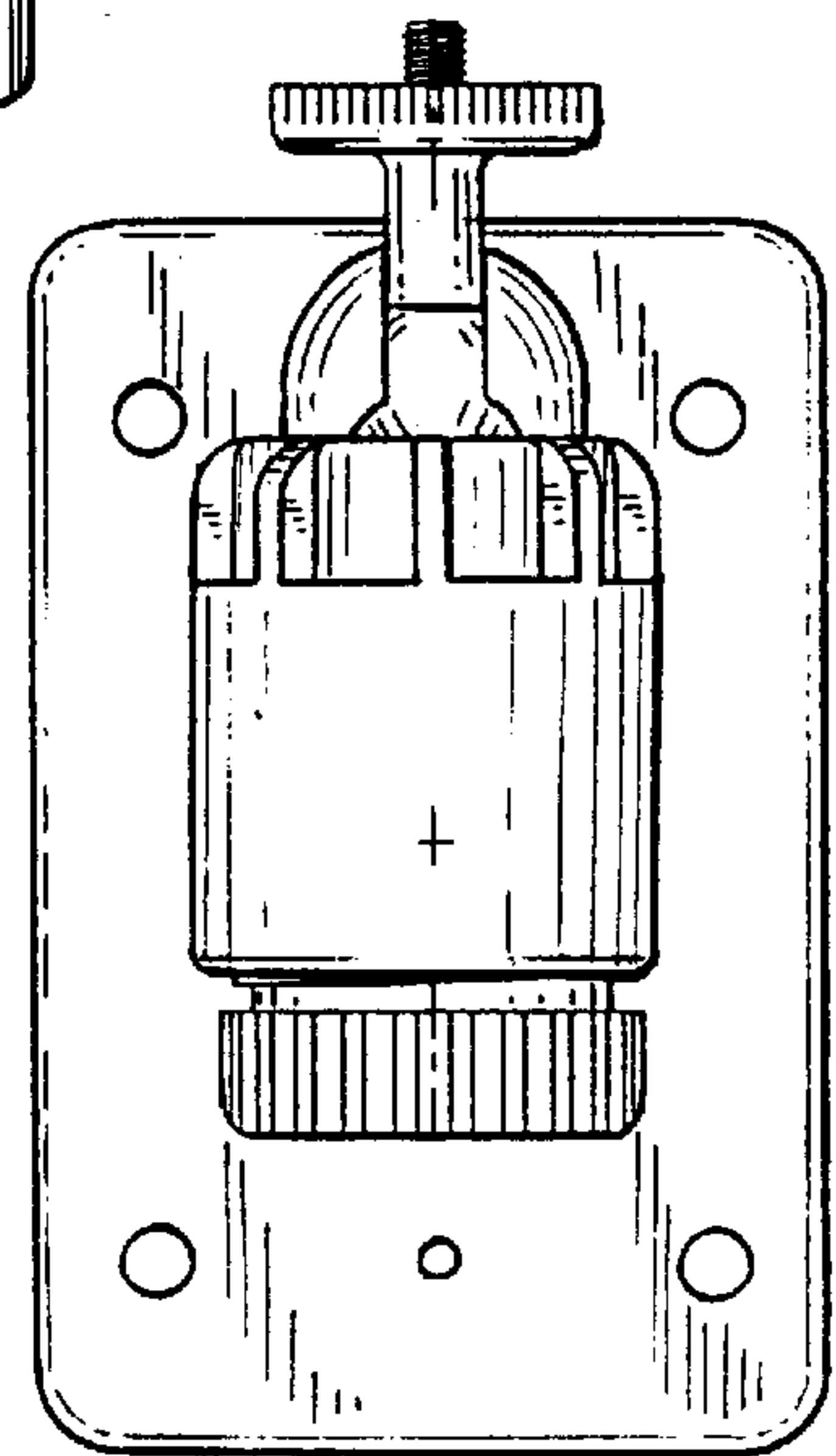


FIG. 4

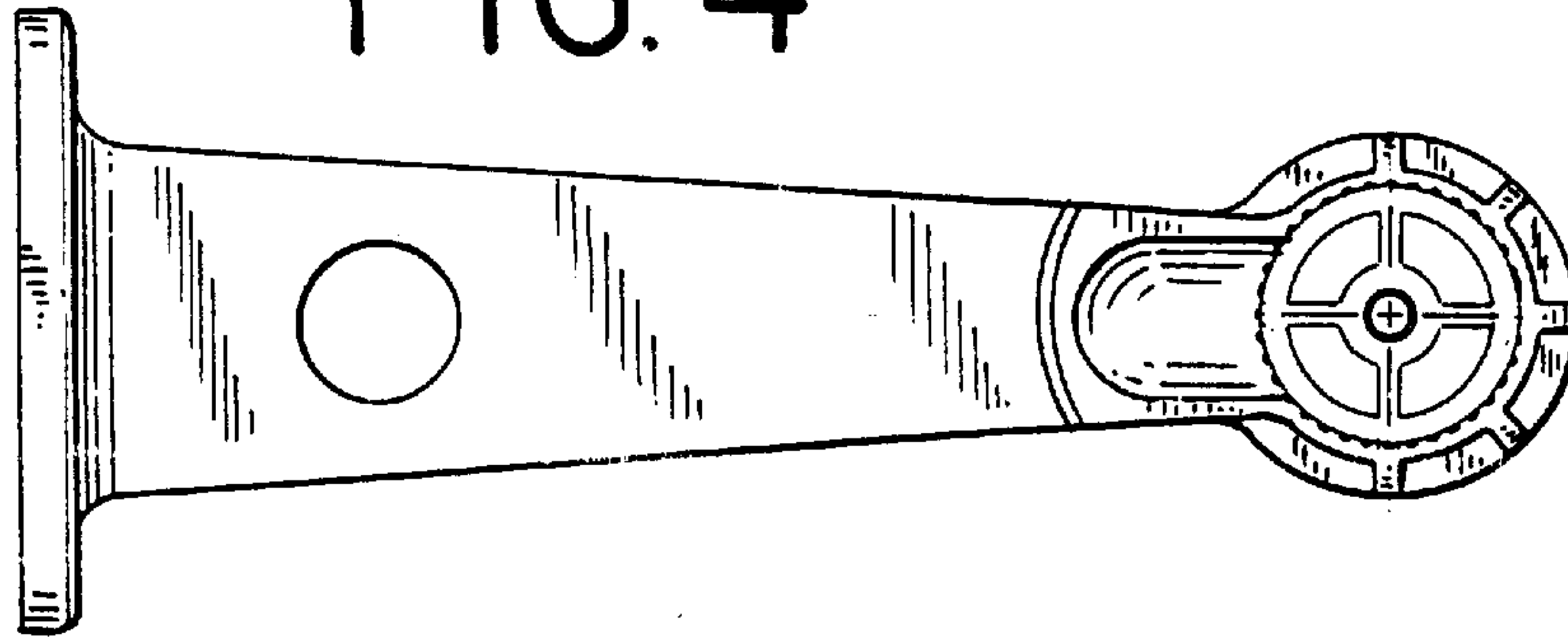


FIG. 5

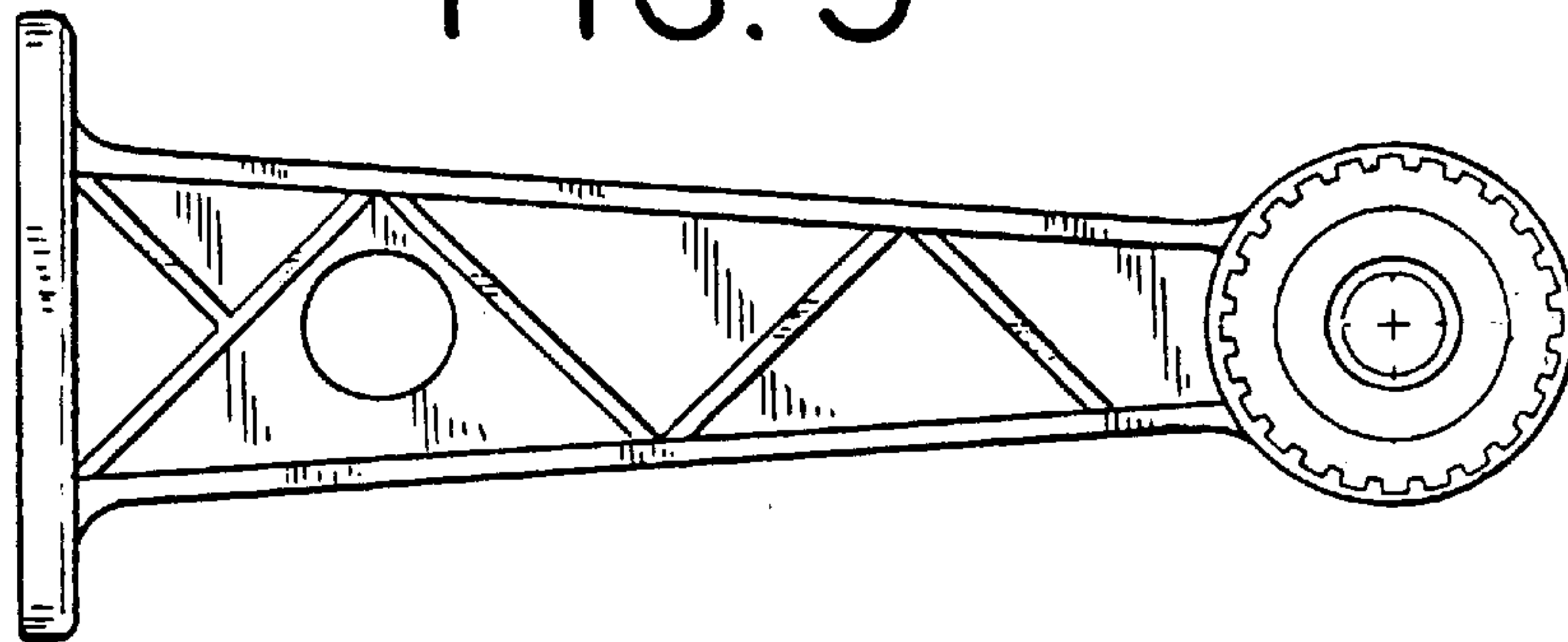


FIG. 6

