



US00D400082S

United States Patent [19]
Colman

[11] **Patent Number: Des. 400,082**

[45] **Date of Patent: **Oct. 27, 1998**

[54] **WIRE SPOOL**

[76] Inventor: **Wayne C. Colman**, P.O. Box 308, 1370
Lytle Rd., Troy, Ohio 45373

[**] Term: **14 Years**

[21] Appl. No.: **78,289**

[22] Filed: **Oct. 23, 1997**

[51] **LOC (6) Cl. 08-05**

[52] **U.S. Cl. D8/358**

[58] **Field of Search D8/358; 242/608.8,**
242/604.1, 388.1, 129; 228/173.4

[56] **References Cited**

U.S. PATENT DOCUMENTS

- D. 352,230 11/1994 Coleman .
- 358,953 3/1887 Wirt 242/308.8
- 1,511,285 10/1924 Lachman 242/604.1

- 1,540,836 6/1925 Hedderich 242/604.1
- 1,571,275 2/1926 Kelley 242/388.1
- 2,973,915 1/1961 Erlow .
- 5,197,689 3/1993 Barone .

Primary Examiner—Holly Baynham
Attorney, Agent, or Firm—Jacox, Meckstroth & Jenkins

[57] **CLAIM**

The ornamental design of a wire spool, as shown and described.

DESCRIPTION

FIG. 1 is a perspective view of a wire spool showing my new design;
FIG. 2 is a view of one end thereof, the opposite end view being the same; and,
FIG. 3 is a side elevational view thereof with the opposite side view being a mirror image.

1 Claim, 1 Drawing Sheet

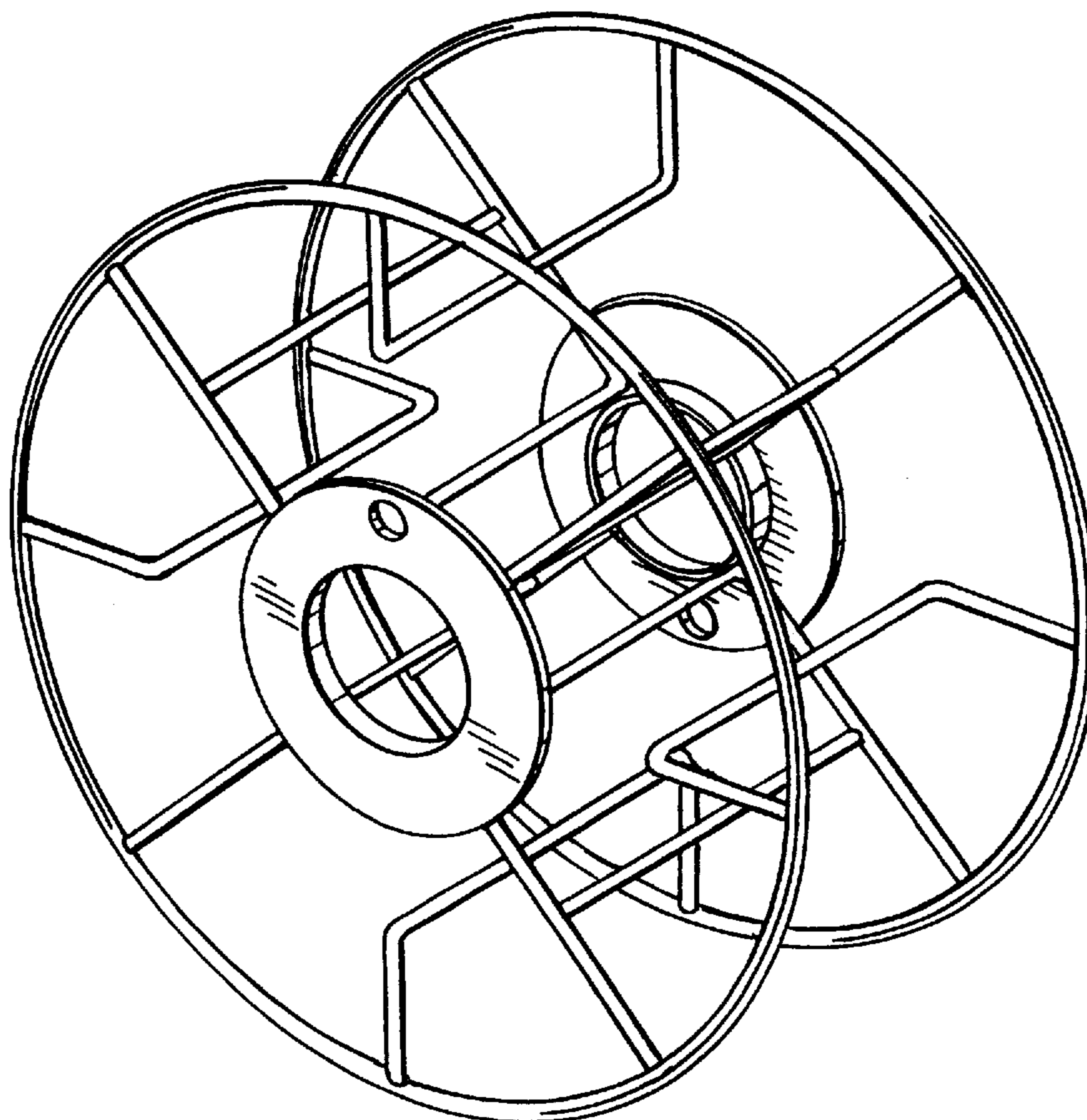


FIG-1

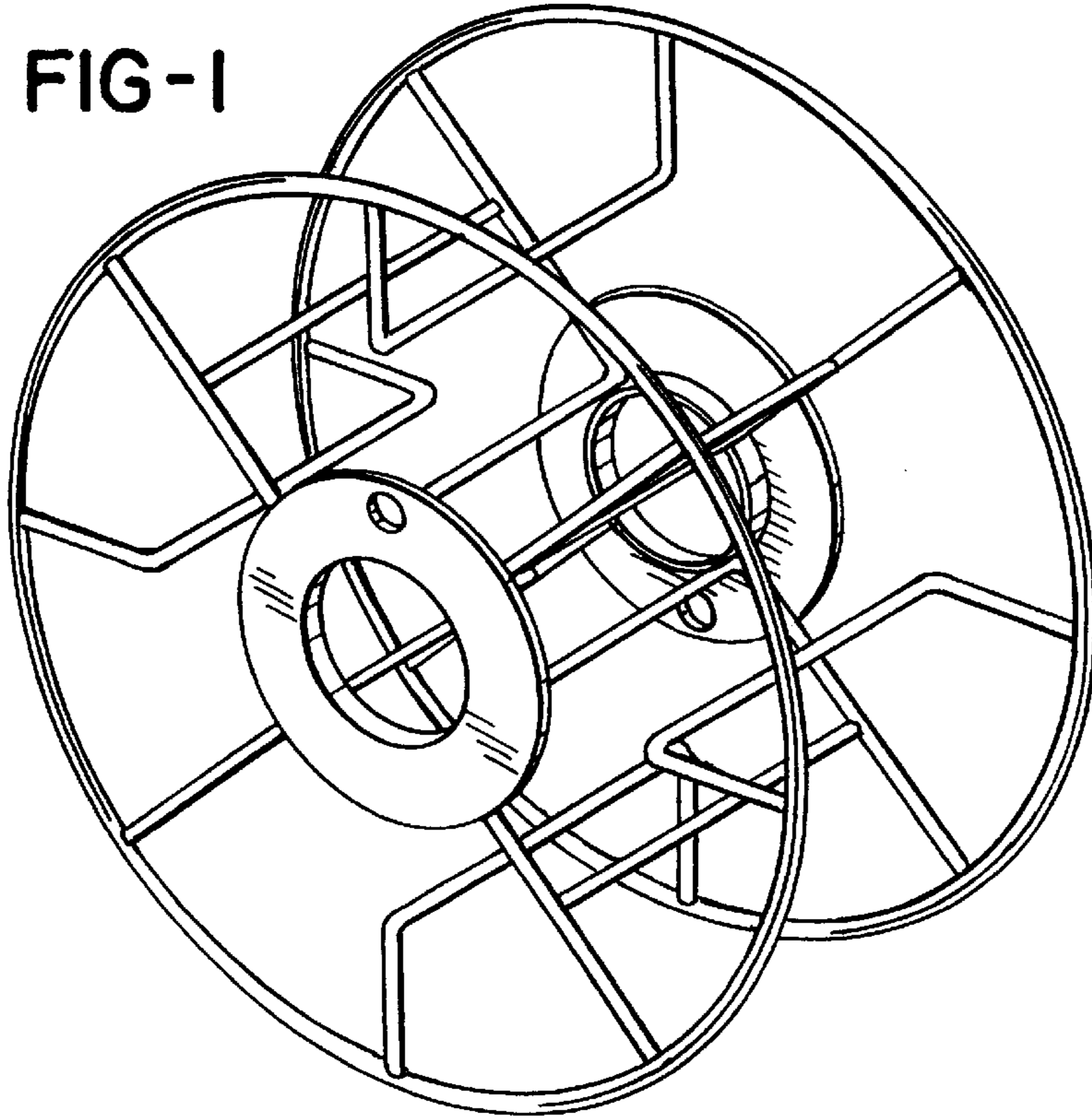


FIG-2

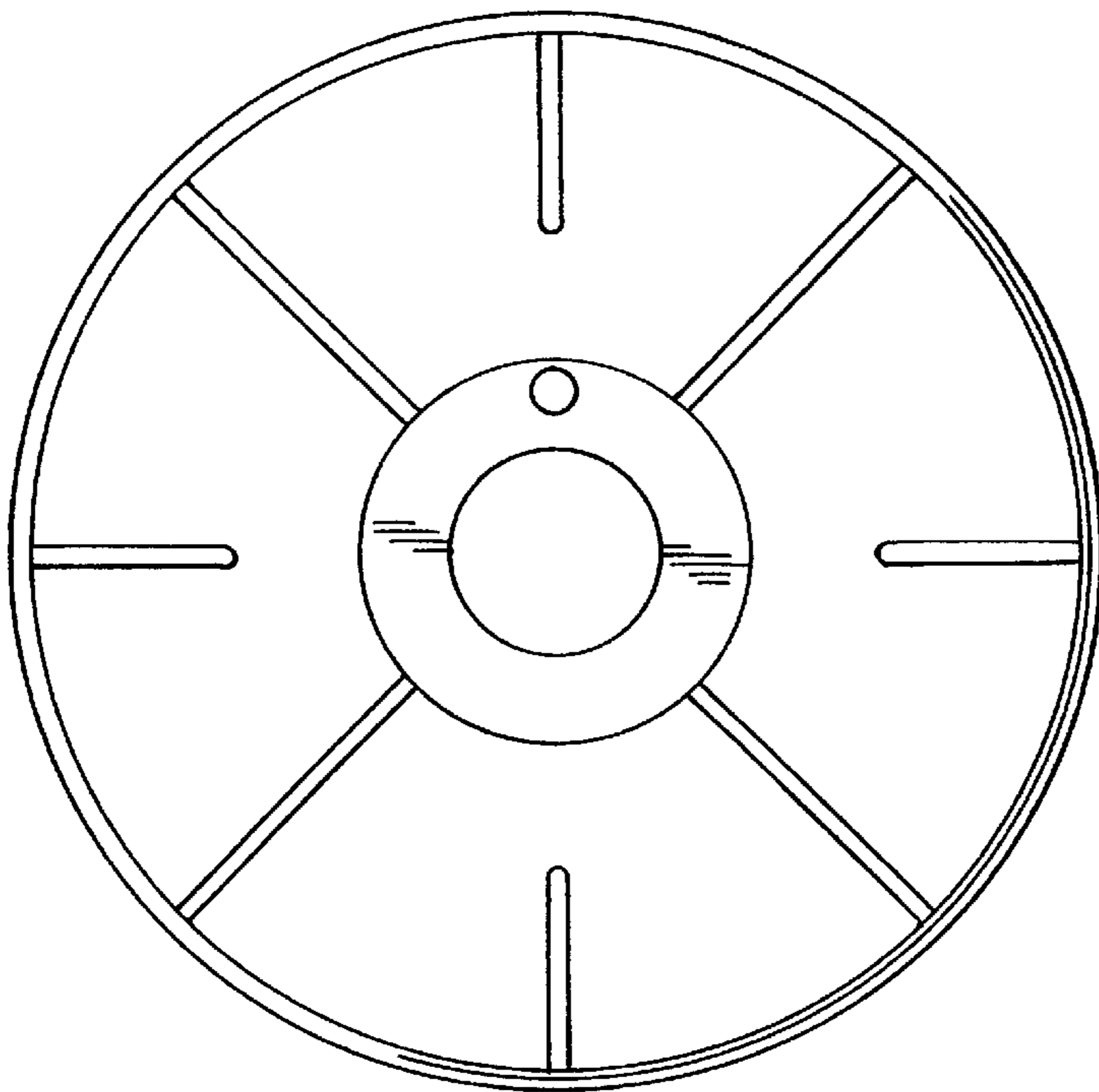


FIG-3

