



US00D400080S

# United States Patent [19] Beard, Jr.

[11] Patent Number: **Des. 400,080**

[45] Date of Patent: **\*\*\*Oct. 27, 1998**

[54] **BACKLESS ANGLED CORNER SUPPORT**

[76] Inventor: **Harold W. Beard, Jr.**, P.O. Box 5485,  
Carefree, Ariz. 85377

[\*] Notice: The term of this patent shall not extend  
beyond the expiration date of Pat. No.  
D.380,958.

[\*\*] Term: **14 Years**

[21] Appl. No.: **45,699**

[22] Filed: **Oct. 27, 1995**

[51] **LOC (6) Cl.** ..... **08-05**

[52] **U.S. Cl.** ..... **D8/354; D25/102**

[58] **Field of Search** ..... D25/102; D8/499;  
52/264, 254, 255, 287.1, 288.1, 631, 716

[56] **References Cited**

**U.S. PATENT DOCUMENTS**

D. 175,229	7/1955	Neufeld .	
D. 349,166	7/1994	Beard, Jr. ....	D25/102
D. 380,958	7/1997	Beard, Jr. ....	D25/102
2,041,899	5/1936	Brand .	
2,069,289	2/1937	Swendsen et al. .	
2,208,227	7/1940	Page .	

2,884,669	5/1959	Hillson .....	52/287.1
3,101,184	8/1963	Allen et al. ....	248/222
3,603,054	9/1971	Didry .....	52/282
3,942,295	3/1976	Schacht .....	52/287.1
4,037,376	7/1977	Baal-Taxa .....	312/257
4,603,517	8/1986	Lyons, Jr. ....	52/288.1
4,640,491	2/1987	Grist et al. ....	249/219

*Primary Examiner*—B. J. Bullock  
*Attorney, Agent, or Firm*—Snell & Wilner, L.L.P.

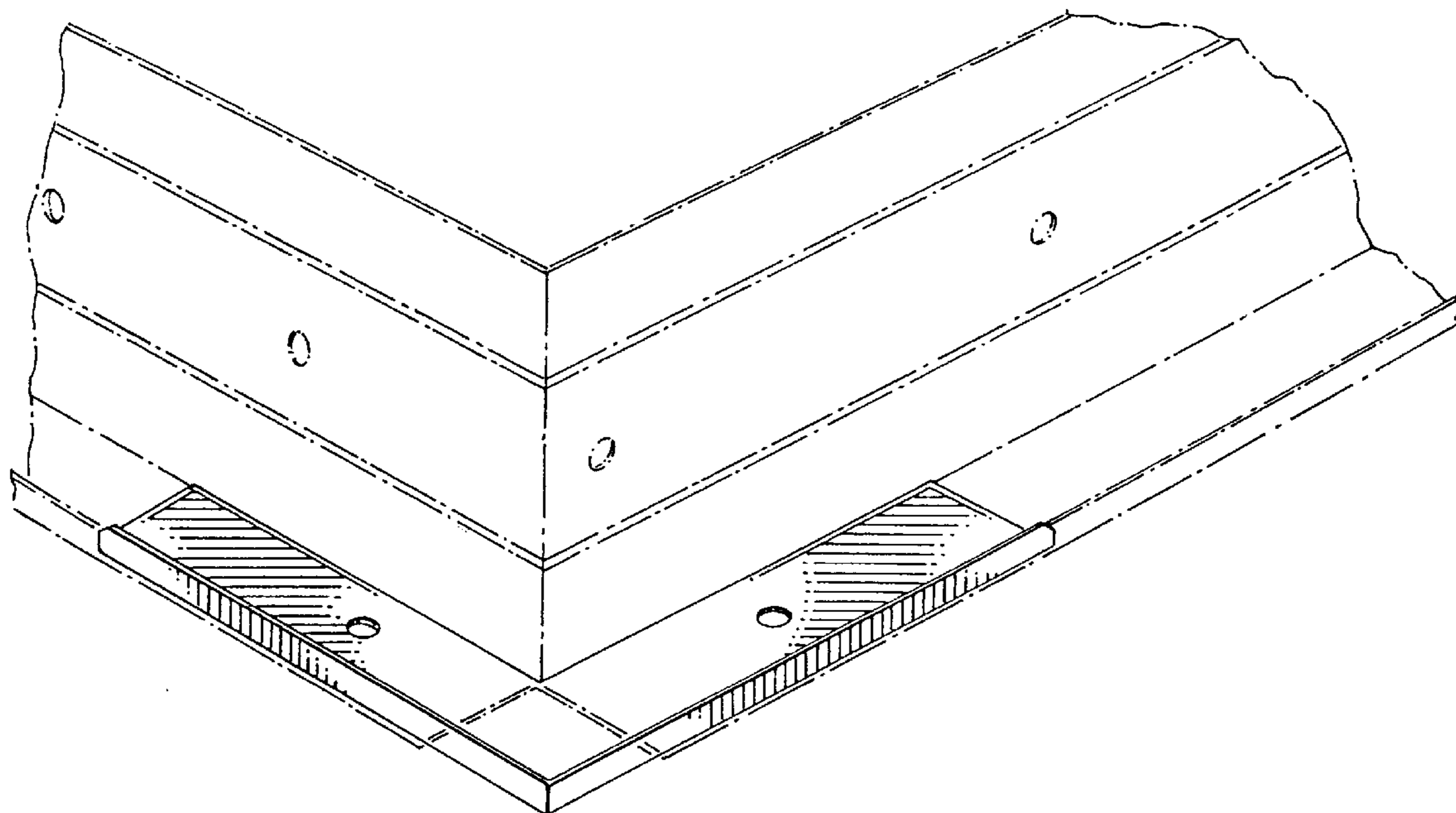
[57] **CLAIM**

The ornamental design for backless angled corner support,  
as shown and described.

**DESCRIPTION**

FIG. 1 is a perspective view of the backless angled corner support showing my new design, the broken lines showing straight channel pieces which the backless angled corner support is seated within are for illustrative purposes only and form no part of the claimed design;  
FIG. 2 is a bottom plan view thereof;  
FIG. 3 is a top plan view thereof;  
FIG. 4 is a side elevational view thereof;  
FIG. 5 is the opposite side elevational view thereof; and,  
FIG. 6 is another side elevational view thereof.

**1 Claim, 2 Drawing Sheets**



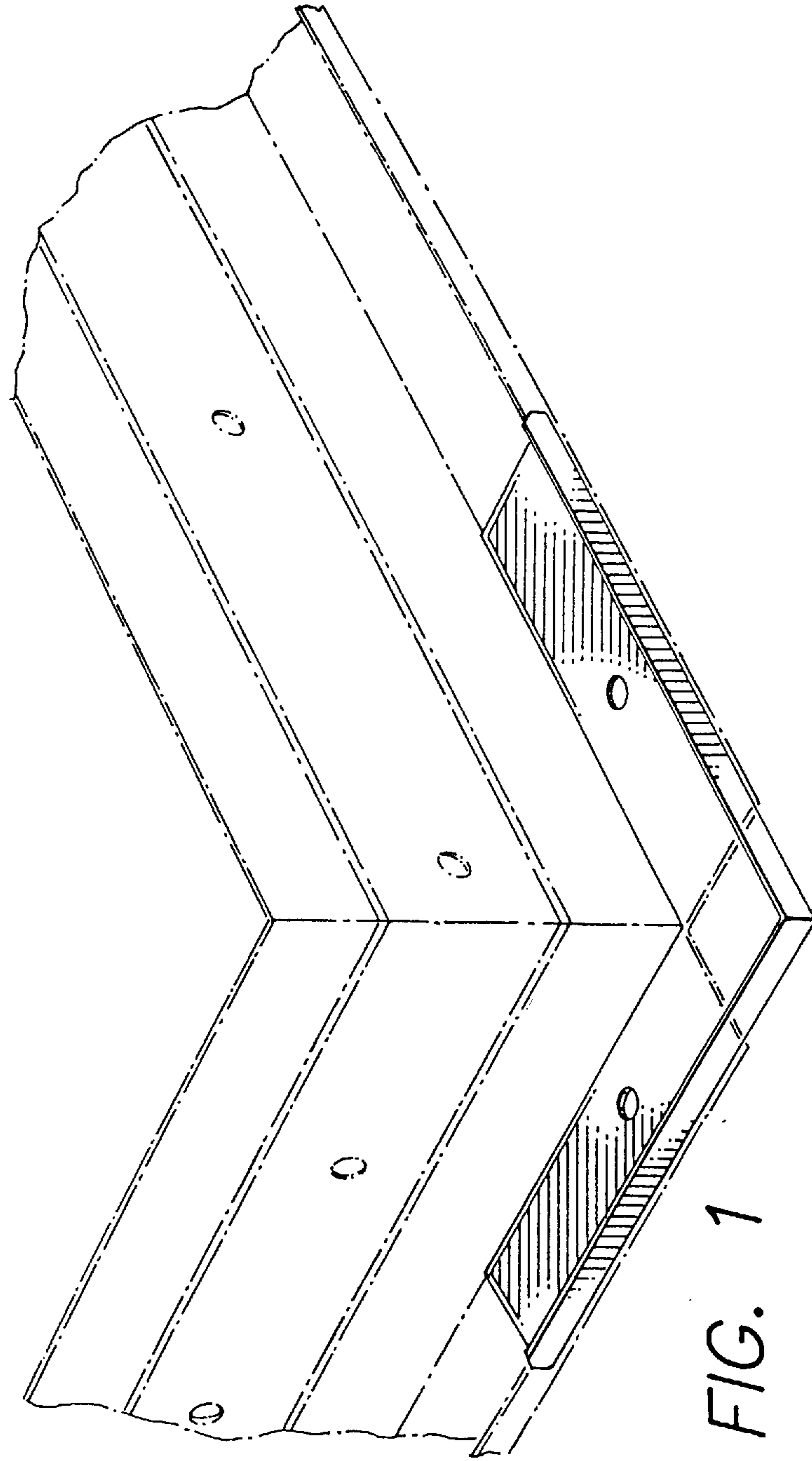


FIG. 1

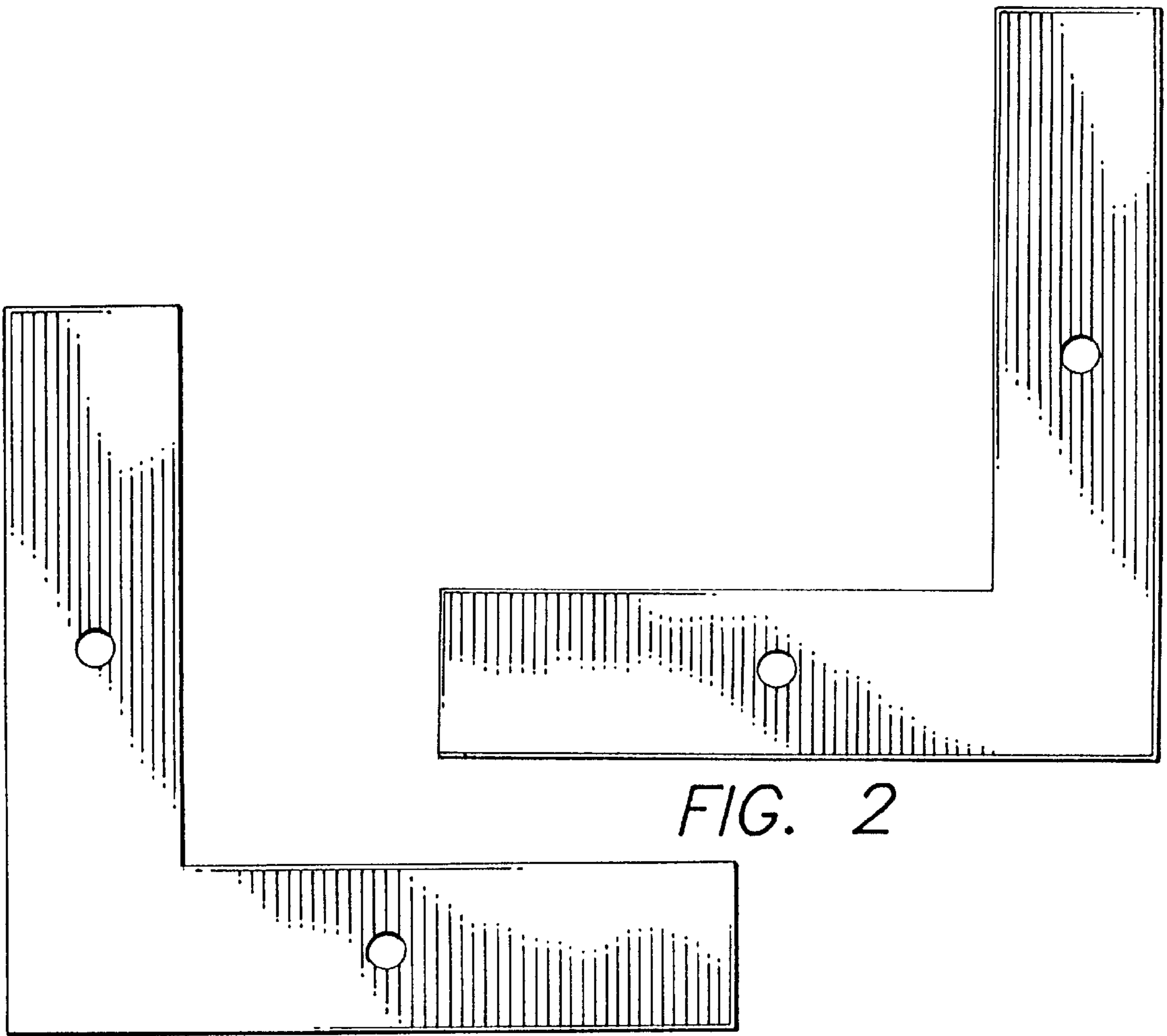


FIG. 2

FIG. 3



FIG. 4

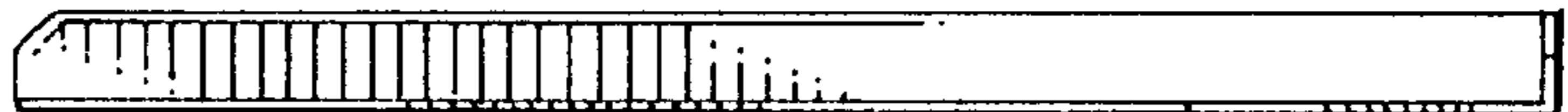


FIG. 5



FIG. 6