



US00D400079S

United States Patent [19]
Chase

[11] **Patent Number: Des. 400,079**

[45] **Date of Patent: **Oct. 27, 1998**

[54] **SUPPORT STAND**

[76] Inventor: **James Madison Chase**, 19 Canal St.,
Deepwater, N.J. 08023

[**] Term: **14 Years**

[21] Appl. No.: **65,032**

[22] Filed: **Jan. 17, 1997**

[51] **LOC (6) Cl.** **08-05**

[52] **U.S. Cl.** **D8/349**

[58] **Field of Search** D8/349, 1, 354;
D6/417; 248/545, 533, 539, 156

[56] **References Cited**

U.S. PATENT DOCUMENTS

2,963,031	12/1960	Carroll	248/530	X
3,066,769	12/1962	Pasquale	248/530	X
5,011,107	4/1991	Reece	248/156	X

Primary Examiner—Holly Baynham

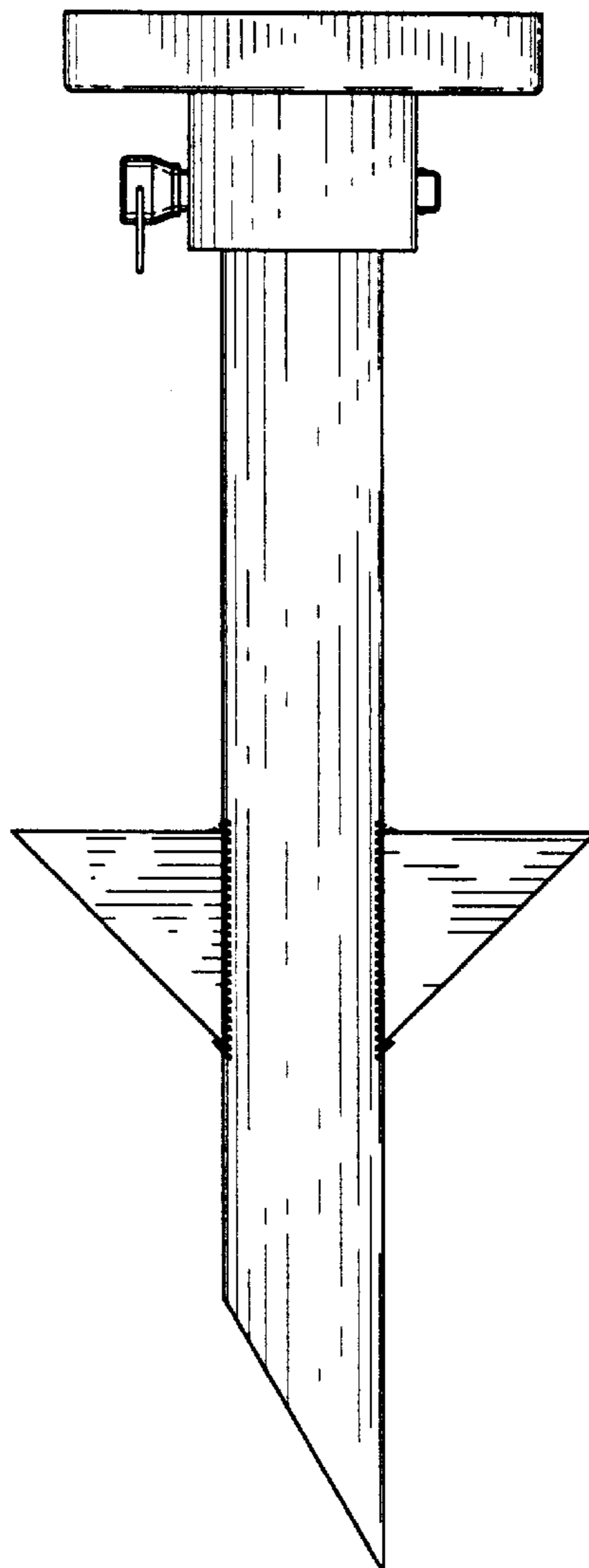
[57] **CLAIM**

The ornamental design for a support stand, as shown.

DESCRIPTION

FIG. 1 is a front elevation view of the support stand of the present invention;
 FIG. 2 is a back elevation view of the support stand of FIG. 1;
 FIG. 3 is a left elevation view of the support stand of FIG. 1;
 FIG. 4 is a right side elevation view of the support stand of FIG. 1;
 FIG. 5 is a top plan view of the support stand of FIG. 1;
 FIG. 6 is a bottom plan view of the support stand of FIG. 1;
 and,
 FIG. 7 is a cross sectional view along line 7—7 of FIG. 1 of the support stand of FIG. 1.

1 Claim, 3 Drawing Sheets



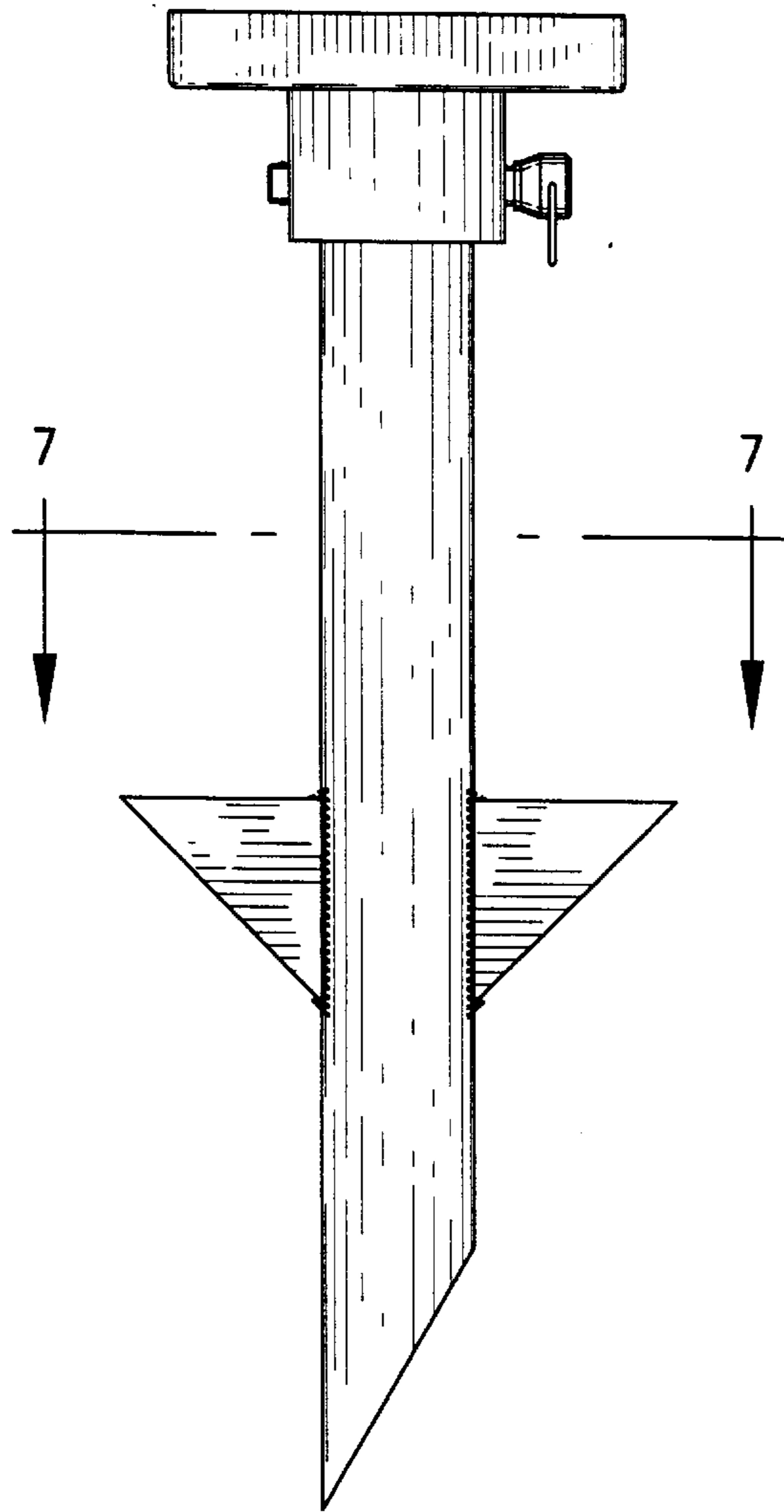


Fig. 1

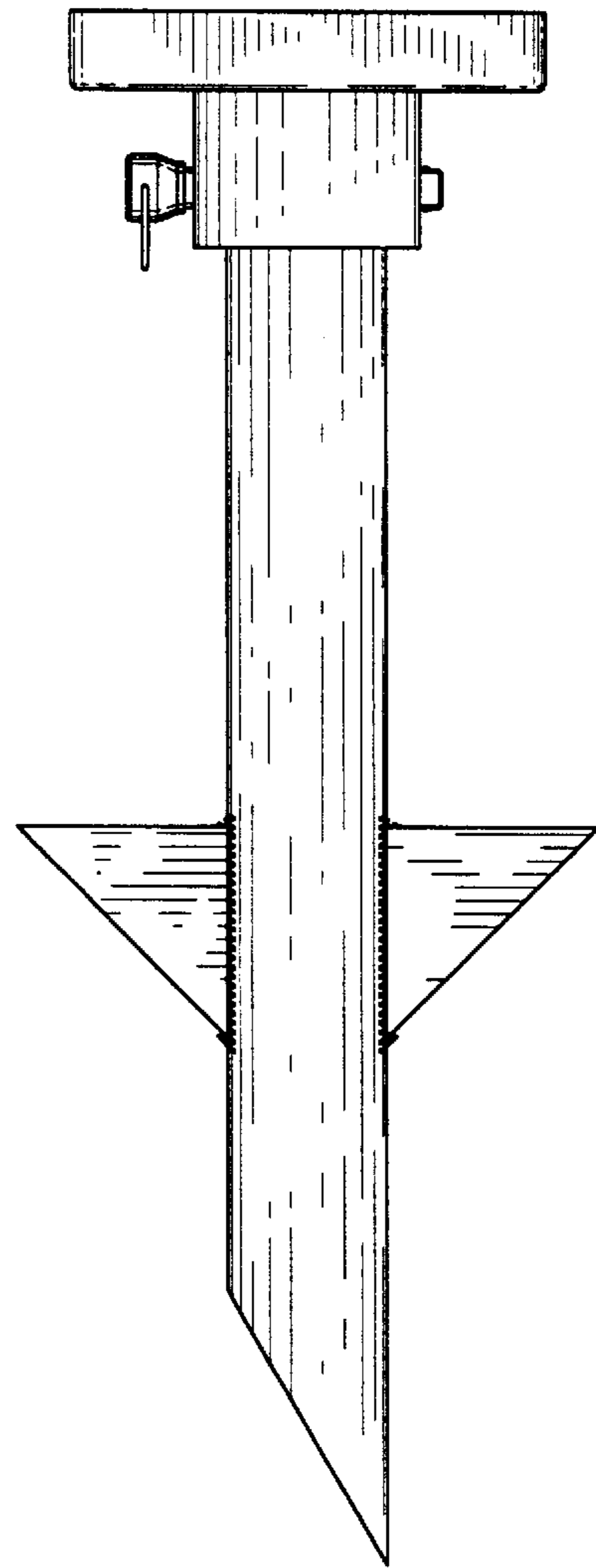


Fig. 2

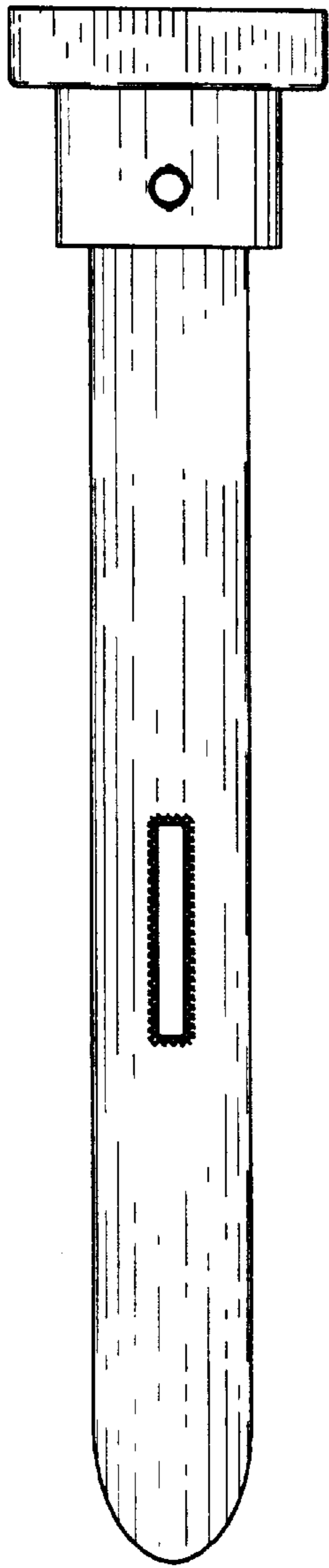


Fig. 3

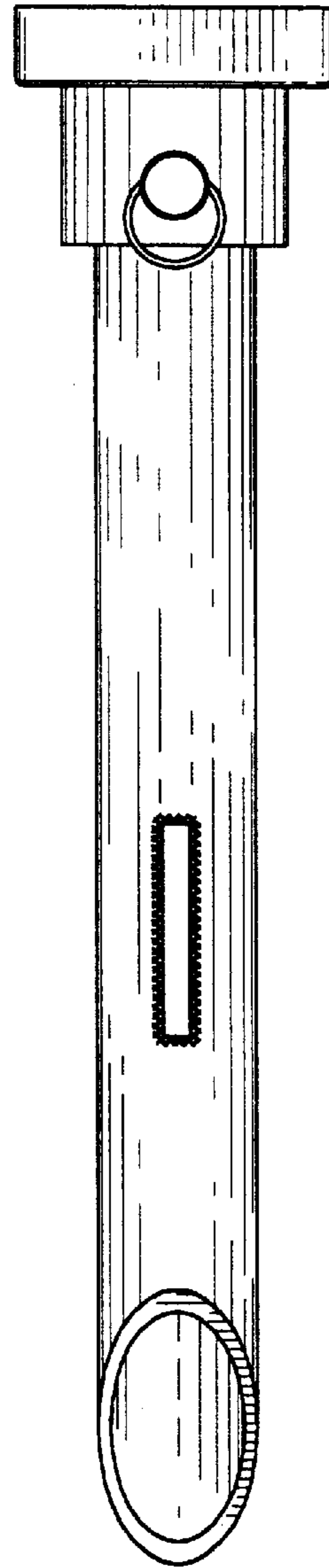


Fig. 4

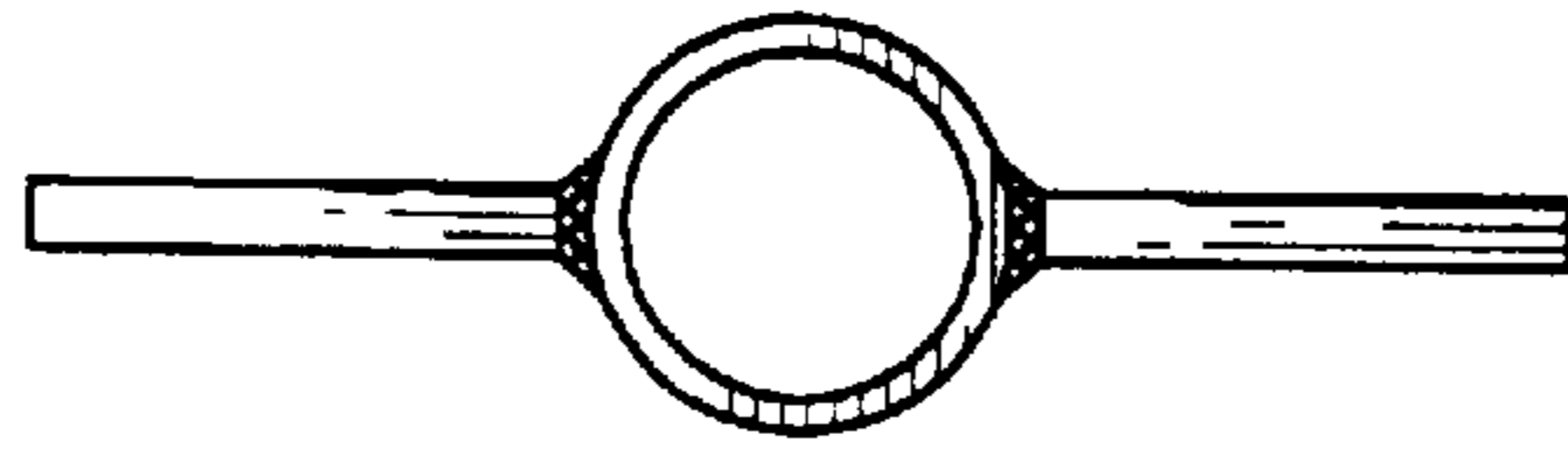


Fig. 7

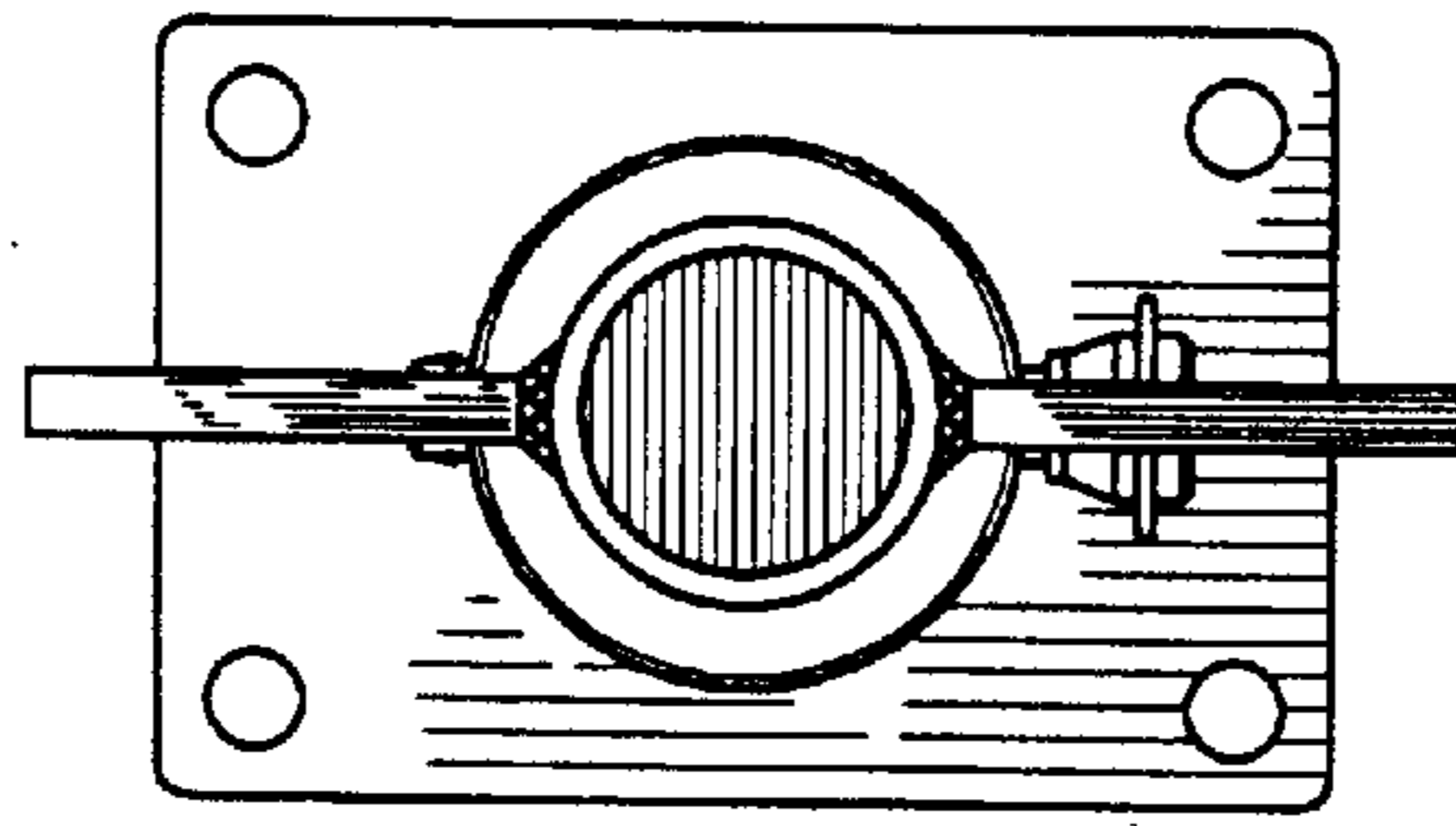


Fig. 6

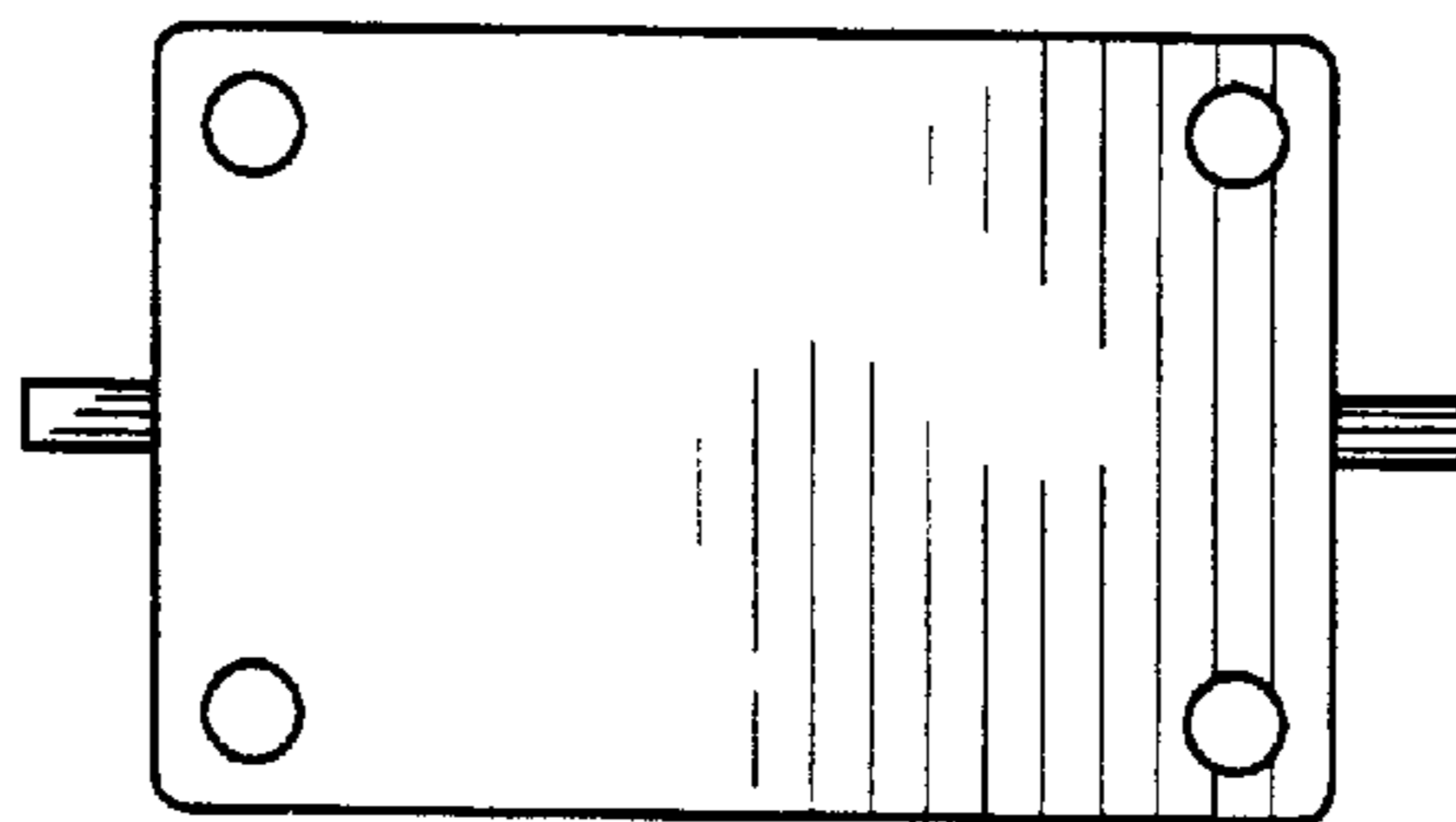


Fig. 5