



US00D400076S

United States Patent [19]
Jancsek et al.

[11] **Patent Number: Des. 400,076**

[45] **Date of Patent: **Oct. 27, 1998**

[54] **CABINET LATCH**

[75] Inventors: **John J. Jancsek**, Blaine; **Bruce W. Larson**, Andover, both of Minn.

[73] Assignee: **Hoffman Enclosures, Inc.**, Anoka, Minn.

[**] Term: **14 Years**

[21] Appl. No.: **68,077**

[22] Filed: **Jan. 22, 1997**

[51] **LOC (6) Cl. 08-07**

[52] **U.S. Cl. D8/331**

[58] **Field of Search D8/330, 331, 342; 70/77, 78, 89, 91**

[56] **References Cited**

U.S. PATENT DOCUMENTS

- D. 131,217 1/1942 Braun .
- D. 197,050 12/1963 Orenstein .
- D. 292,171 10/1987 Berg .
- D. 332,904 2/1993 Plummer et al. .
- D. 338,389 8/1993 Finkelstein et al. D8/331
- D. 343,347 1/1994 Lau et al. .
- D. 384,874 10/1997 Hoffman D8/331
- 980,467 1/1911 Witham .
- 1,236,914 8/1917 Coté .

(List continued on next page.)

FOREIGN PATENT DOCUMENTS

- 81685 11/1920 Austria .
- 759232 1/1934 France .
- 809075 2/1937 France .
- 1147327 11/1957 France .
- 1554905 1/1969 France .
- 2 441 704 6/1980 France .
- 286041 7/1915 Germany .
- 643435 4/1937 Germany .
- 88 04 160.3 9/1988 Germany .
- 37 10563 C2 7/1992 Germany .
- 93 05 893.4 7/1993 Germany .
- WO 92/02703 2/1992 WIPO .

OTHER PUBLICATIONS

Hoffman Engineering Company Specifier's Guide, 1995-1996, p. 502, showing lock kits for enclosures and junction boxes.

Hoffman Engineering Company Specifier's Guide, 1995-1996, pp. 574-575, showing handles, latches and clamps for use on Hoffman custom enclosures.

Hoffman Engineering Company Specifier's Guide, 1995-1996, p. 30, showing door accessories.

Cover page of DECO brochure, dated Apr. 1993, showing a latch handle.

EMKA Swinghandle Leaflet (5 pgs.), undated.

EMKA Screw-in Quarter Turn Leaflet (2 pgs.), undated.

Austin Hardware, Quarter Turn Fasteners Leaflet (2 pgs.), undated.

Eberhard Dead Bolt Latches, Quarter Turn Leaflet (2 pgs.), undated.

Normont Industries Hardware, Quarter Turn, Screw-In Type Leaflet (2 pgs.), undated.

Paneloc High-Performance Quarter-Turn Fasteners Leaflet (2 pgs.), Nov. 1987.

Southco Fasteners, Vise-action™ Latch Leaflet (2 pgs.), undated.

Primary Examiner—Brian N. Vinson

Attorney, Agent, or Firm—Merchant, Gould, Smith, Edell, Welter & Schmidt

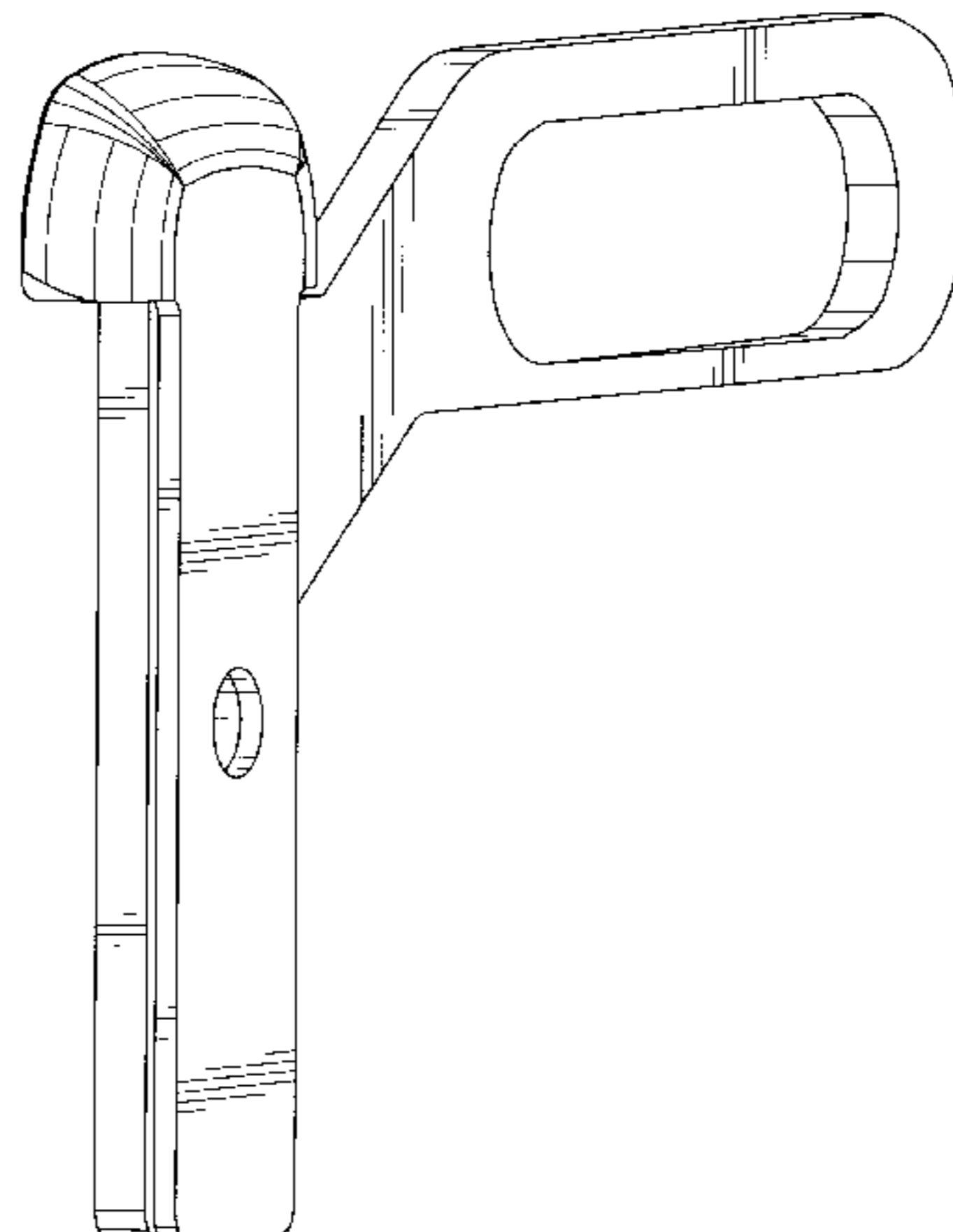
[57] **CLAIM**

The ornamental design for cabinet latch, as shown and described.

DESCRIPTION

FIG. 1 shows a perspective view of a cabinet latch handle according to the principles of the present invention; FIG. 2 shows an exploded perspective view thereof; FIG. 3 shows a front elevational view thereof; FIG. 4 shows a rear elevational view thereof; FIG. 5 shows a right side elevational view thereof; FIG. 6 shows a left side elevational view thereof; FIG. 7 shows a top plan view thereof; and, FIG. 8 shows a bottom plan view thereof.

1 Claim, 6 Drawing Sheets



U.S. PATENT DOCUMENTS

1,559,189	10/1925	Shaw .	4,186,952	2/1980	Glass .	
1,724,025	8/1929	Jacobi .	4,205,867	6/1980	Loikitz .	
1,747,383	2/1930	Norviel .	4,311,317	1/1982	Bartels .	
1,789,756	1/1931	Jacobi .	4,325,239	4/1982	Larson .	
1,909,393	5/1933	Diesel .	4,331,413	5/1982	Hoen .	
2,018,098	10/1935	Sullivan .	4,563,885	1/1986	Madden .	
2,036,764	4/1936	Lowe .	4,616,864	10/1986	Douglas .	
2,316,956	4/1943	Heath .	4,631,937	12/1986	Debus et al. .	
2,726,889	12/1955	Lawson .	4,657,462	4/1987	Hoen .	
2,733,089	1/1956	Grevengoed .	4,910,982	3/1990	Dana .	
3,170,701	2/1965	Hoover .	4,951,980	8/1990	Wetzel .	
3,374,649	3/1968	Weidman .	4,972,691	11/1990	Knight	70/89
3,500,668	3/1970	Henry .	4,995,652	2/1991	Mugnolo et al. .	
3,508,423	4/1970	Jackes et al. .	5,123,683	6/1992	Solovieff .	
3,510,182	5/1970	Cowles .	5,172,944	12/1992	Munich et al. .	
3,808,850	5/1974	Walters .	5,253,917	10/1993	Brueggemann .	
3,889,498	6/1975	Harrell .	5,265,924	11/1993	Kim .	
3,951,444	4/1976	Shull .	5,413,392	5/1995	Schlack et al. .	
3,995,464	12/1976	Terry .	5,481,889	1/1996	Richard et al. .	
4,036,039	7/1977	Nakanishi .	5,509,703	4/1996	Lau et al. .	
			5,630,632	5/1997	Swan .	

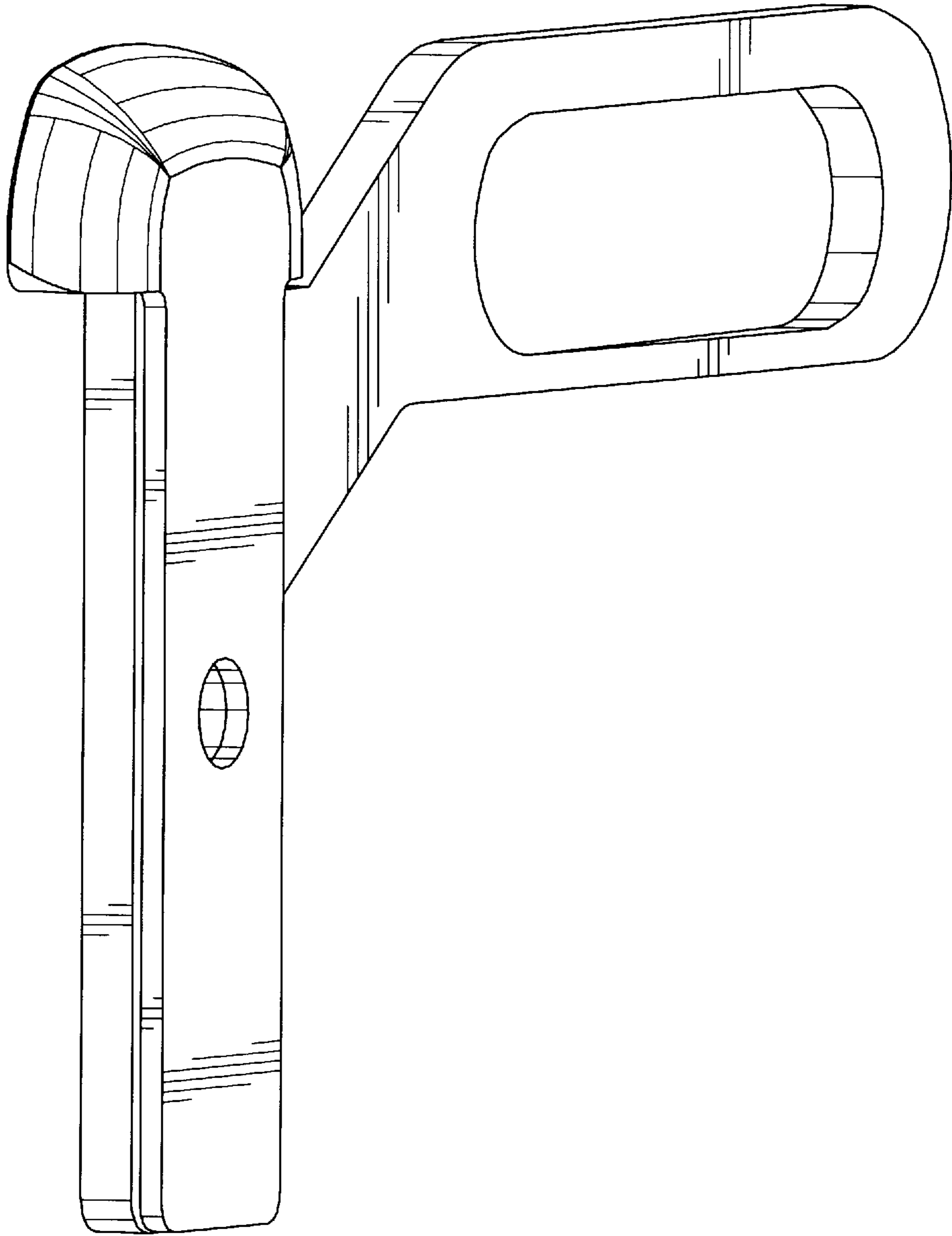


FIG. 1

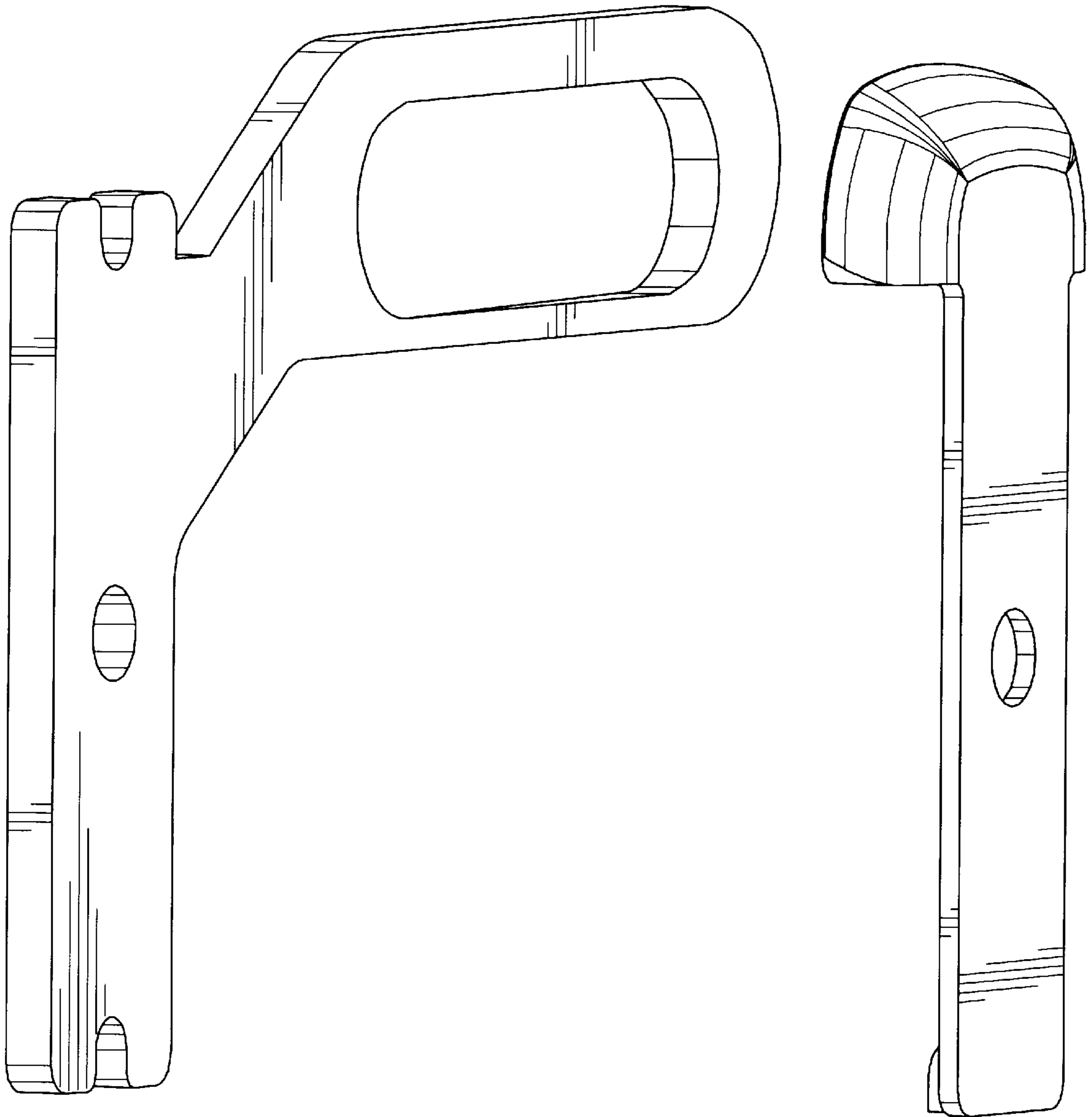


FIG. 2

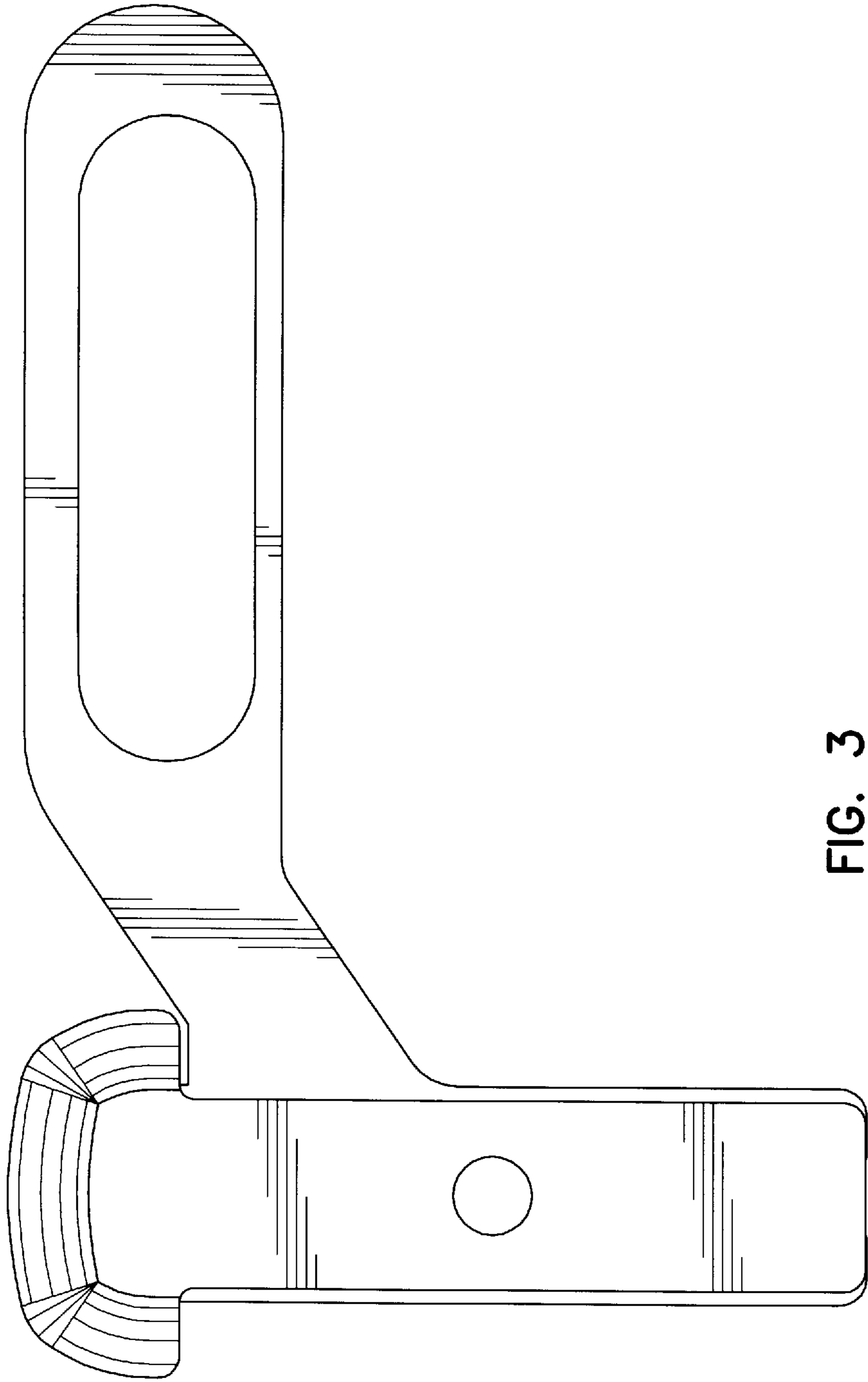


FIG. 3

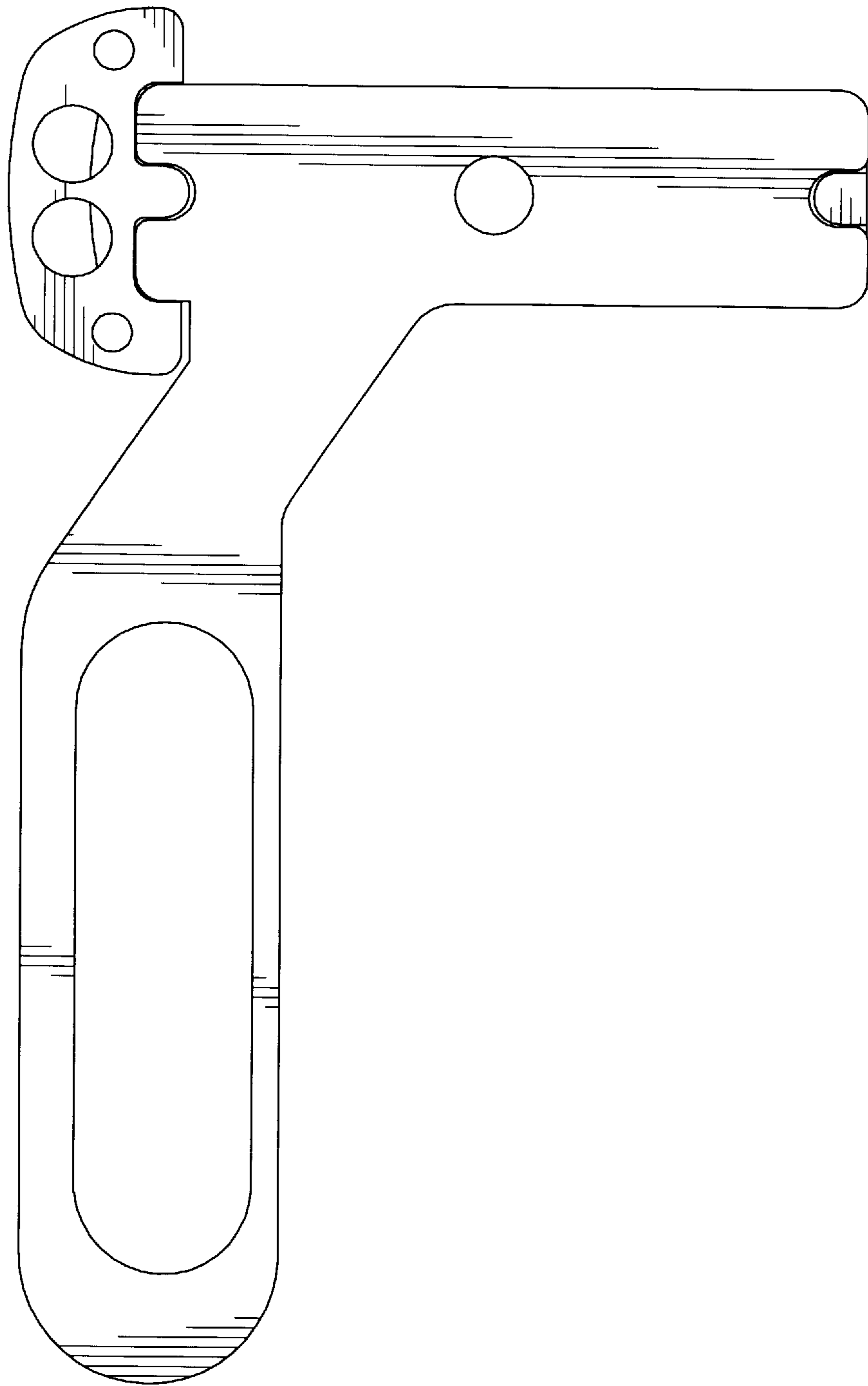


FIG. 4

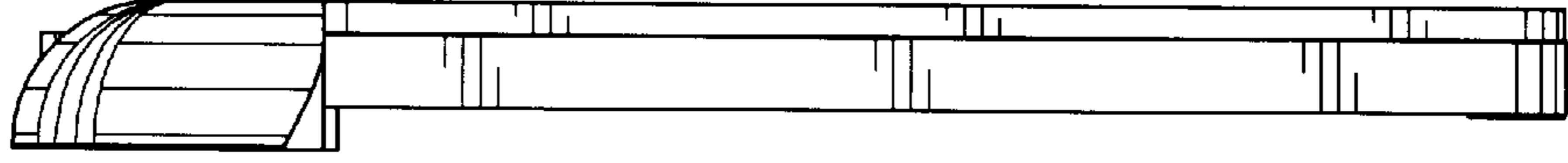


FIG. 6

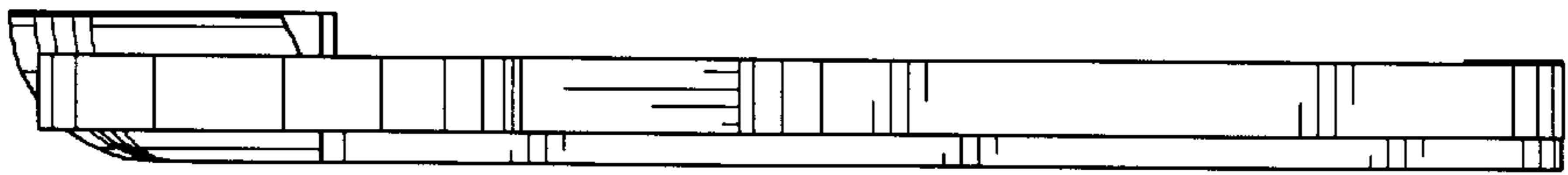


FIG. 5

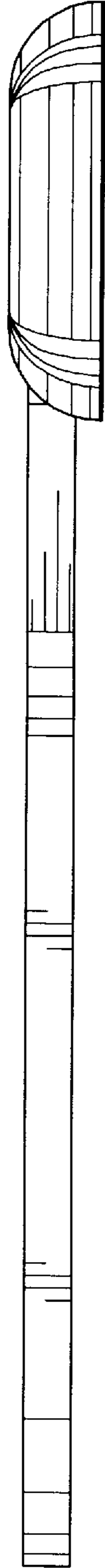


FIG. 7

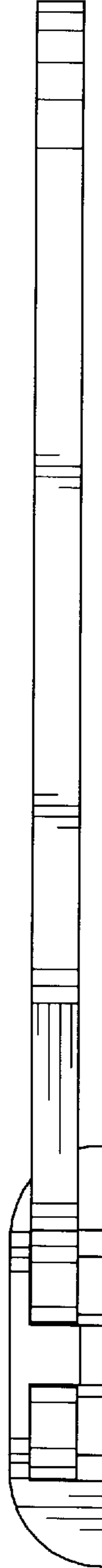


FIG. 8