



US00D400075S

United States Patent [19] Martelle

[11] **Patent Number: Des. 400,075**
[45] **Date of Patent: **Oct. 27, 1998**

[54] **PIPE CUTTING TOOL**

[75] Inventor: **Mark Martelle**, Fullerton, Calif.

[73] Assignee: **Grinnell Corp.**, Exeter, N.H.

[**] Term: **14 Years**

[21] Appl. No.: **71,077**

[22] Filed: **May 19, 1997**

[51] **LOC (6) Cl.** **08-03**

[52] **U.S. Cl.** **D8/70; D8/60**

[58] **Field of Search** D8/20, 64, 70,
D8/60; D15/138, 139; 30/94, 103, 106;
166/55.7

[56] **References Cited**

U.S. PATENT DOCUMENTS

D. 208,946	10/1967	St. Alban	D8/70
D. 284,930	8/1986	Richards	D8/70
D. 338,678	8/1993	Mihic	D15/140
514,985	2/1894	Albert et al.	.	
643,961	2/1900	Hanten et al.	.	
818,213	4/1906	Amos et al.	.	
1,088,135	2/1914	Fagan	.	
1,883,453	10/1932	Armstrong	.	
2,638,320	5/1953	Condra	.	
2,842,843	7/1958	Willard	.	
2,942,092	6/1960	Cammann	.	
3,192,857	7/1965	Christopher	.	
3,196,722	7/1965	Lewis et al.	.	
3,283,405	11/1966	Braswell	.	

3,396,795	8/1968	Venghiattis	.	
3,858,368	1/1975	Cocherell et al.	D8/70 X
3,911,574	10/1975	Jones	.	
3,977,076	8/1976	Vieira et al.	.	
4,294,011	10/1981	Kemme	.	
4,307,512	12/1981	Phillips	.	
4,466,185	8/1984	Montiero	.	
4,576,070	3/1986	Fitzgerald	.	
4,809,775	3/1989	Fortin	.	
4,932,125	6/1990	Poveromo	.	
5,042,334	8/1991	Nygards	30/103
5,499,543	3/1996	Brauchitsch	.	

FOREIGN PATENT DOCUMENTS

519317 3/1975 Russian Federation .

Primary Examiner—Robert M. Spear
Attorney, Agent, or Firm—Knobbe, Martens, Olson & Bear, LLP

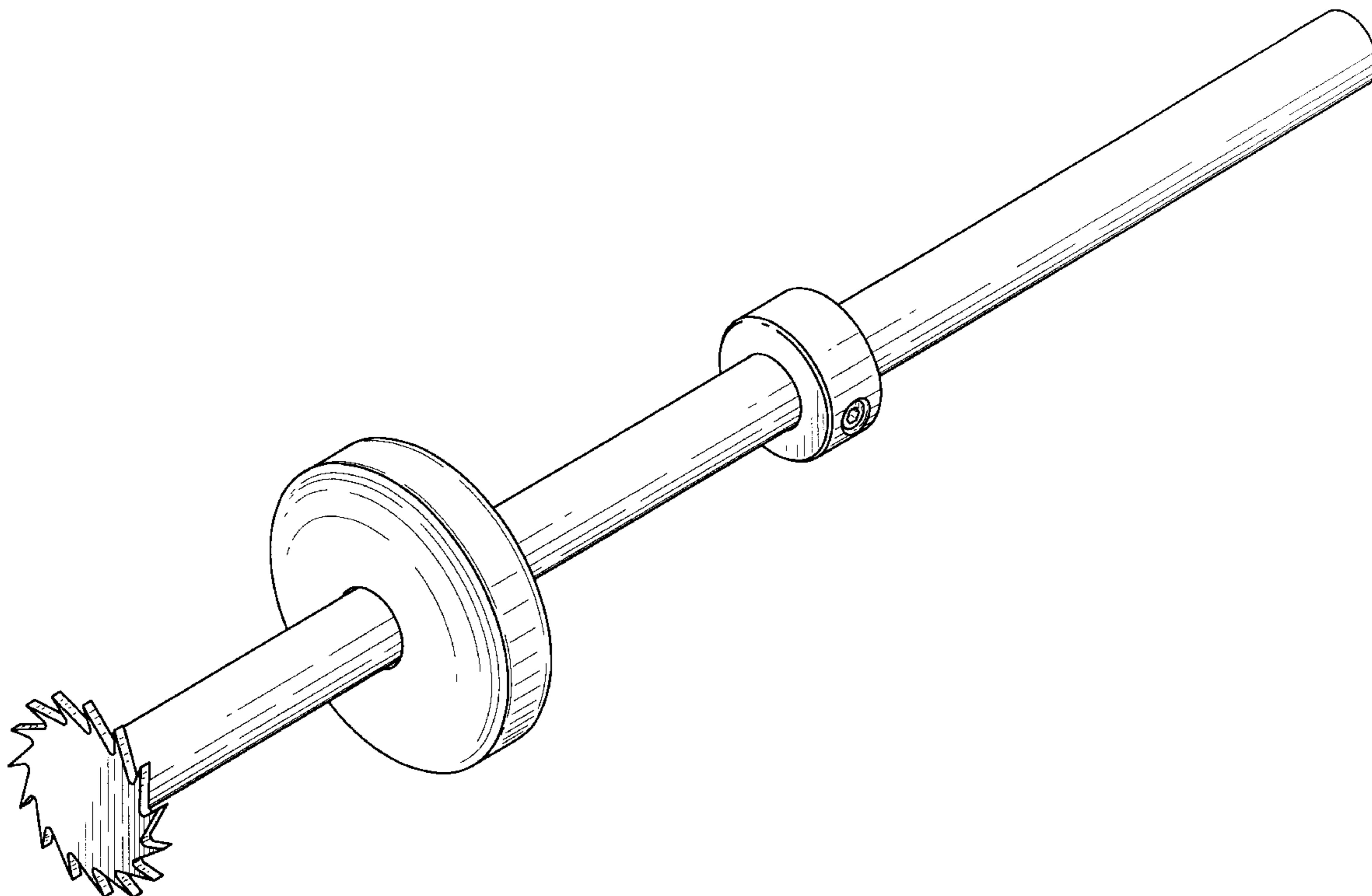
[57] **CLAIM**

The ornamental design for a pipe cutting tool, as shown and described.

DESCRIPTION

FIG. 1 is a front perspective view of the pipe cutting tool of the present invention;
FIG. 2 is a front elevational view thereof;
FIG. 3 is a left side elevational view thereof;
FIG. 4 is a rear elevational view thereof, the top plan view and bottom plan view being identical thereto; and,
FIG. 5 is a right side elevational view thereof.

1 Claim, 2 Drawing Sheets



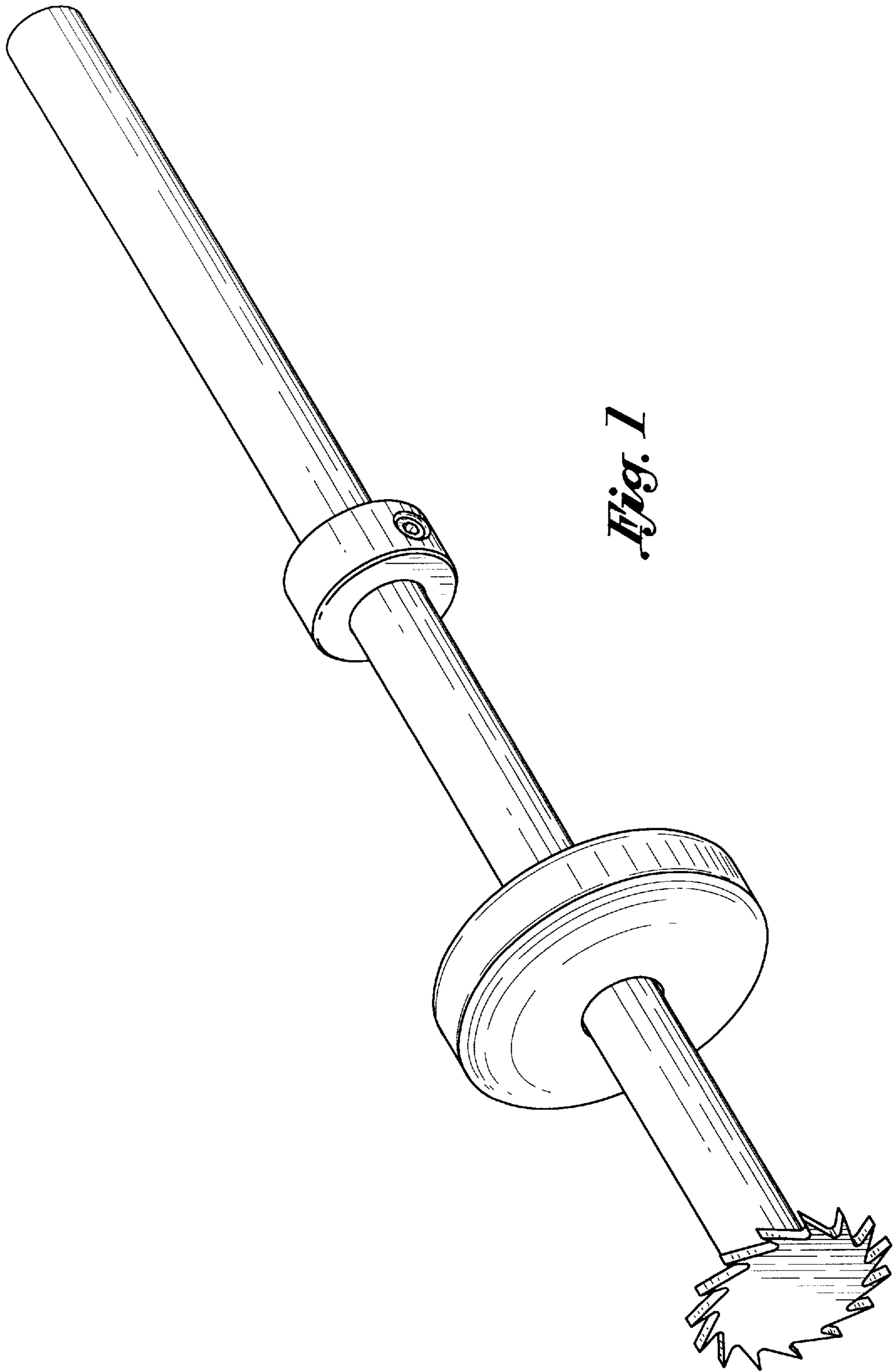


Fig. 1

Fig. 2

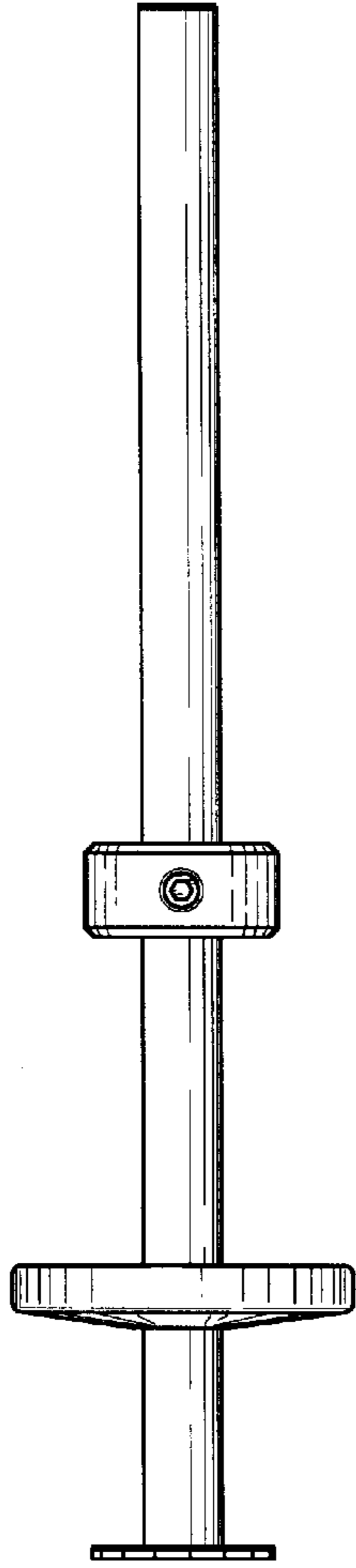


Fig. 4

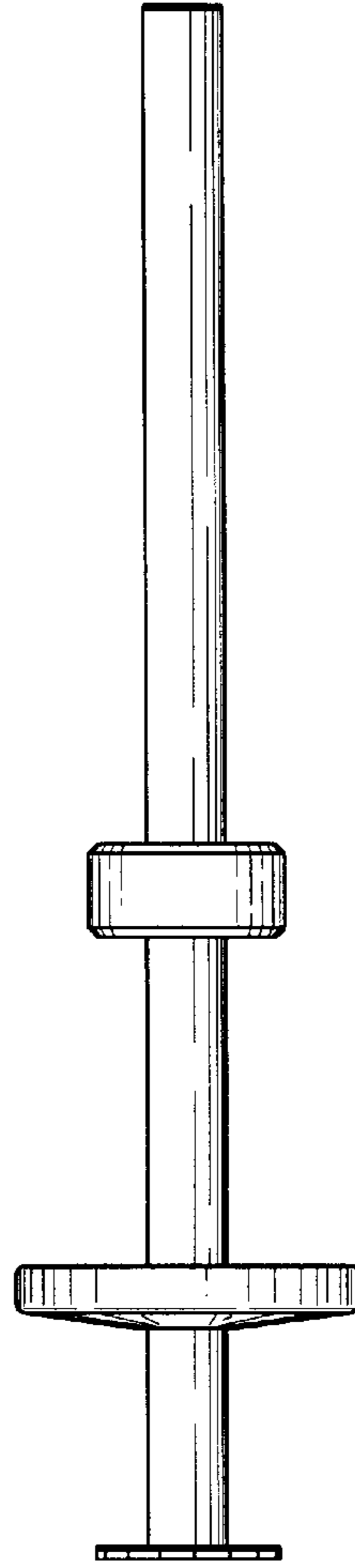


Fig. 3

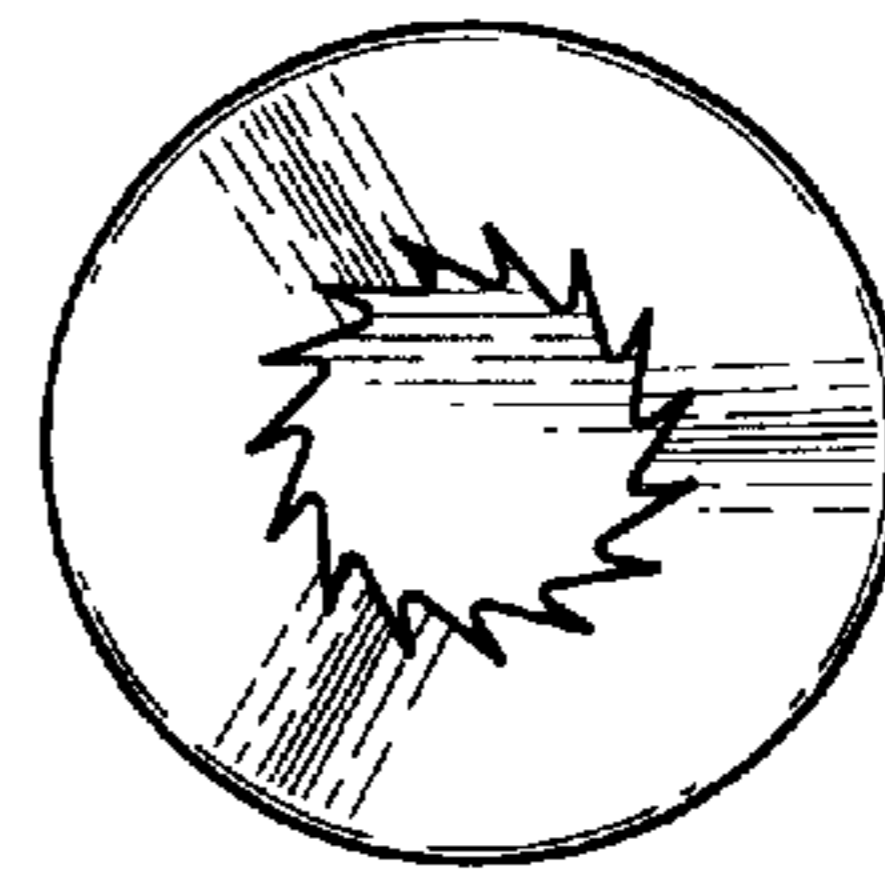


Fig. 5

