



US00D400074S

# United States Patent [19] Cooper

[11] Patent Number: **Des. 400,074**

[45] Date of Patent: **\*\*Oct. 27, 1998**

[54] **DRILL**

[75] Inventor: **Vincent Paul Cooper**, Pylesville, Md.

[73] Assignee: **Black & Decker Inc.**, Newark, Del.

[\*\*] Term: **14 Years**

[21] Appl. No.: **72,879**

[22] Filed: **Jun. 4, 1997**

[51] **LOC (6) Cl.** ..... **08-03**

[52] **U.S. Cl.** ..... **D8/68**

[58] **Field of Search** ..... D8/61, 68, 69;  
74/371; 81/57.11, 57.13, 57.14, 57.43, 177.6,  
436, 438; 178/178, 217

[56] **References Cited**

**U.S. PATENT DOCUMENTS**

D. 144,608	5/1946	Collara	.....	D54/14
D. 156,319	12/1949	Bushnell	.....	D54/14
D. 167,826	9/1952	Doeden	.....	D54/14
D. 262,559	1/1982	Klawitter	.....	D8/68 X
D. 279,862	7/1985	Sato et al.	.....	D8/61.68
D. 279,957	8/1985	Akazawa et al.	.....	D8/68
D. 280,797	10/1985	Sakamoto et al.	.....	D8/68
D. 280,883	10/1985	Sakamoto et al.	.....	D8/68
D. 294,001	2/1988	Greenlee et al.	.....	D8/68
D. 295,141	4/1988	Hoshino et al.	.....	D8/68
D. 296,070	6/1988	Cunningham	.....	D8/29.1
D. 296,413	6/1988	Hoshino et al.	.....	D8/68
D. 300,502	4/1989	Schultz	.....	D8/68
D. 326,400	5/1992	Fushiya et al.	.....	D8/68
D. 328,556	8/1992	Fushiya et al.	.....	D8/69.68
D. 330,152	10/1992	Ogawa et al.	.....	D8/68
D. 332,208	1/1993	Sakamoto et al.	.....	D8/68
D. 333,080	2/1993	Fushiya et al.	.....	D8/68

D. 337,038	7/1993	Sakamoto et al.	.....	D8/68
D. 340,396	10/1993	Ichikawa	.....	D8/68
D. 342,878	1/1994	Watanabe et al.	.....	D8/68
D. 343,105	1/1994	Shibata et al.	.....	D8/68
D. 343,567	1/1994	Okumura	.....	D8/68
D. 345,682	4/1994	Saski et al.	.....	D8/68
D. 350,267	9/1994	Tozawa	.....	D8/68
D. 368,214	3/1996	Zurwelle	.....	D8/68
D. 377,442	1/1997	Kikuchi	.....	D8/61.68
D. 377,893	2/1997	Lui	.....	D8/68
D. 378,268	3/1997	Schultz	.....	D8/68
D. 380,952	7/1997	Kim	.....	D8/68
D. 382,457	8/1997	Ghode et al.	.....	D8/68
D. 388,297	12/1997	Buttenbender	.....	D8/29.1

*Primary Examiner*—Antoine Duval Davis  
*Attorney, Agent, or Firm*—Bruce S. Shapiro; Dennis A. Dearing; John D. Del Ponti

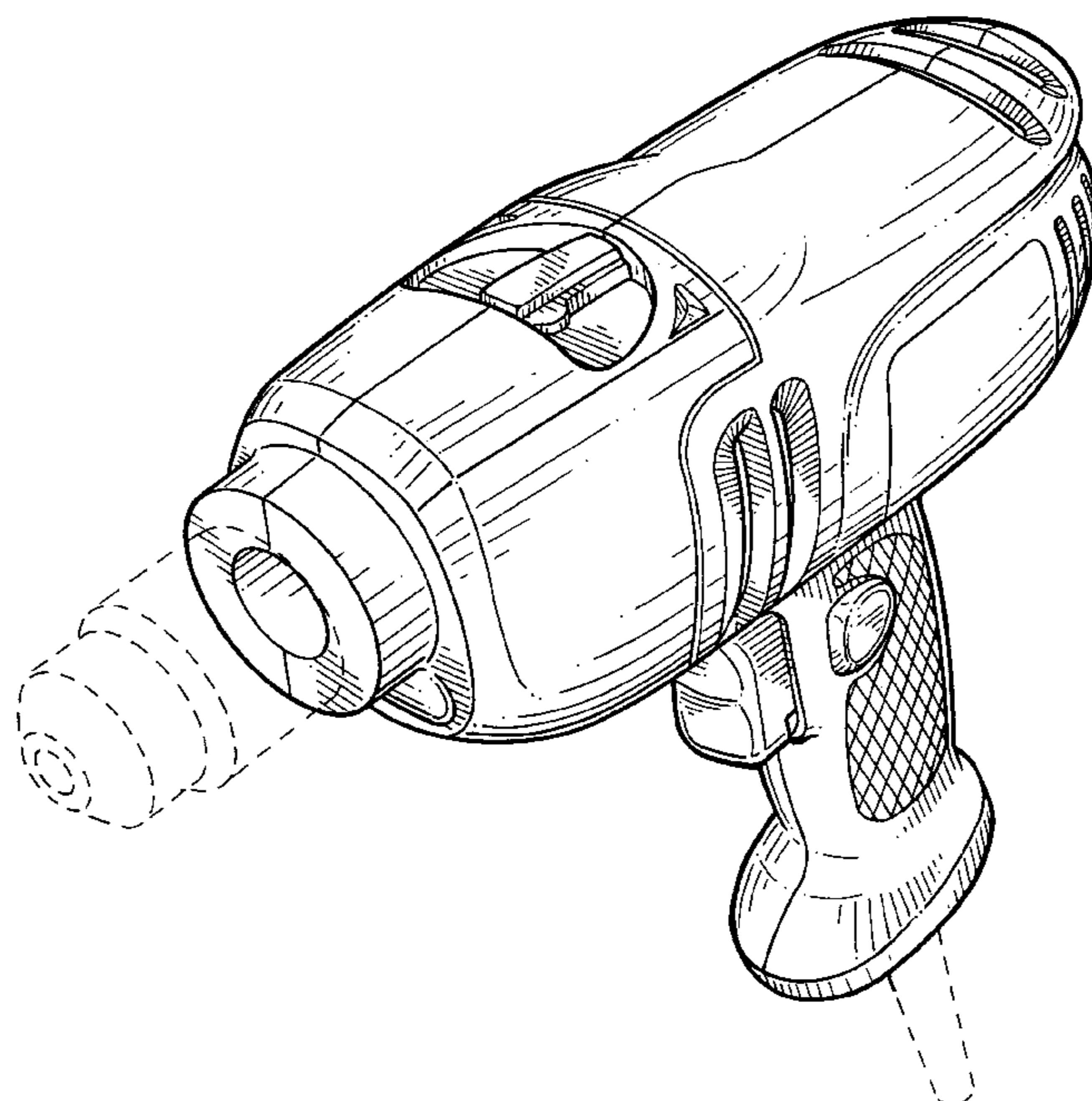
[57] **CLAIM**

The ornamental design for a drill, as shown and described.

**DESCRIPTION**

FIG. 1 is a perspective view of a drill showing a first embodiment of my new design;  
FIG. 2 is a left side elevational view thereof;  
FIG. 3 is a right side elevational view thereof;  
FIG. 4 is a front elevational view thereof;  
FIG. 5 is a rear elevational view thereof;  
FIG. 6 is a top plan view thereof;  
FIG. 7 is a bottom plan view thereof;  
FIG. 8 is a top plan view of a drill showing a second embodiment of my new design; and,  
FIG. 9 is a perspective view of the drill shown in FIG. 8. The broken line showing is for illustrative purposes only and forms no part of the claimed design.

**1 Claim, 7 Drawing Sheets**



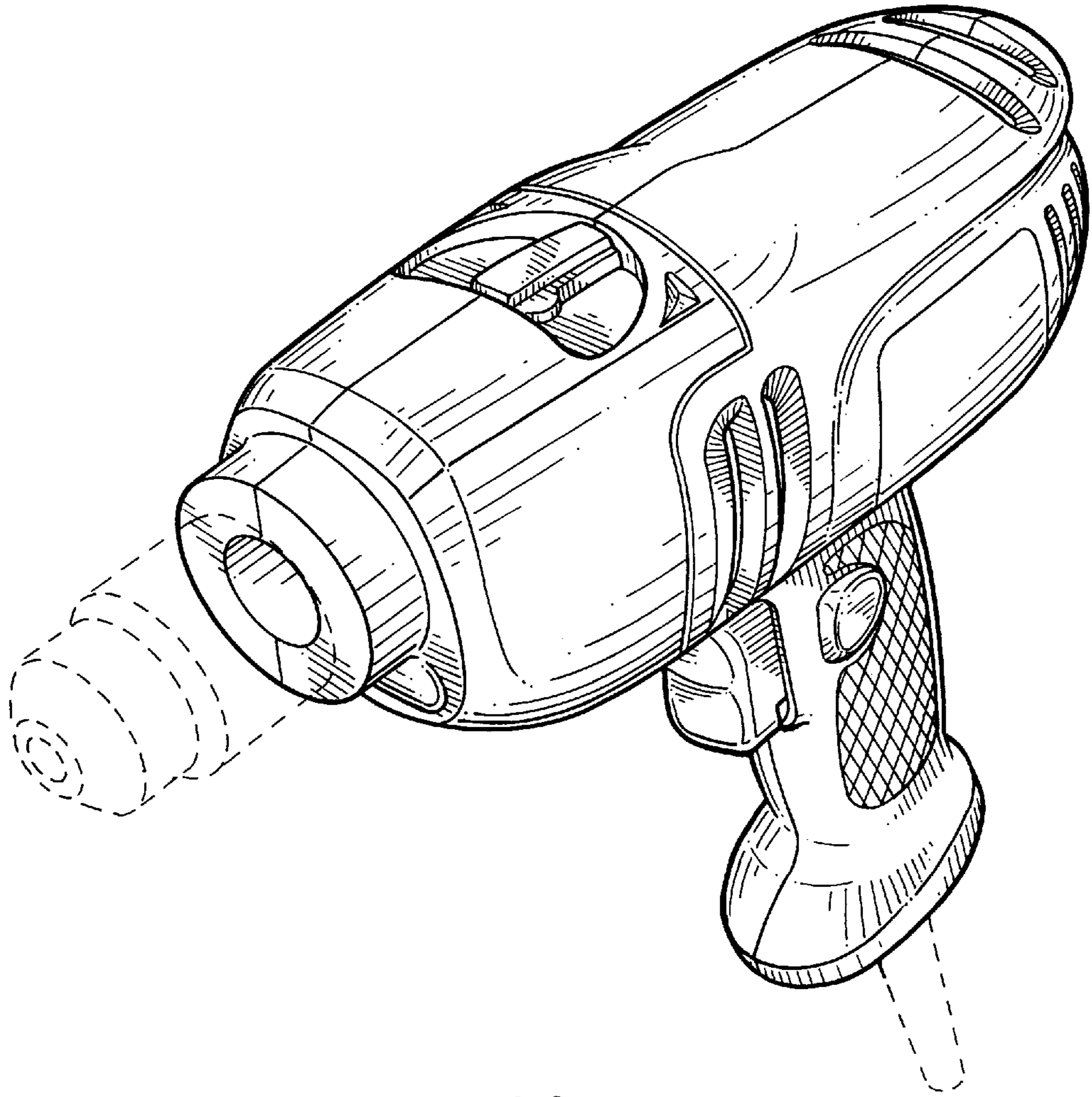


FIG. 1

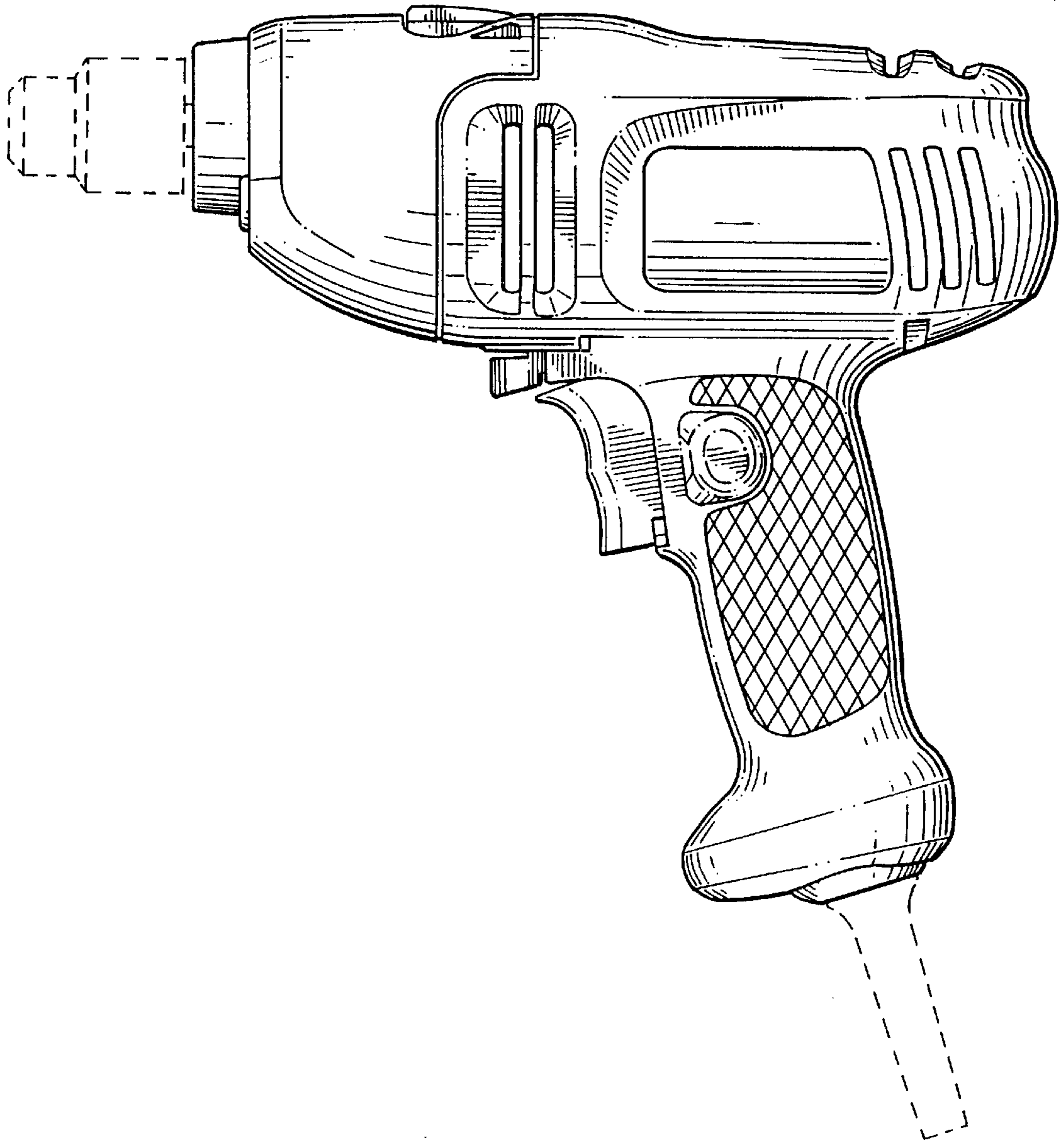


FIG. 2



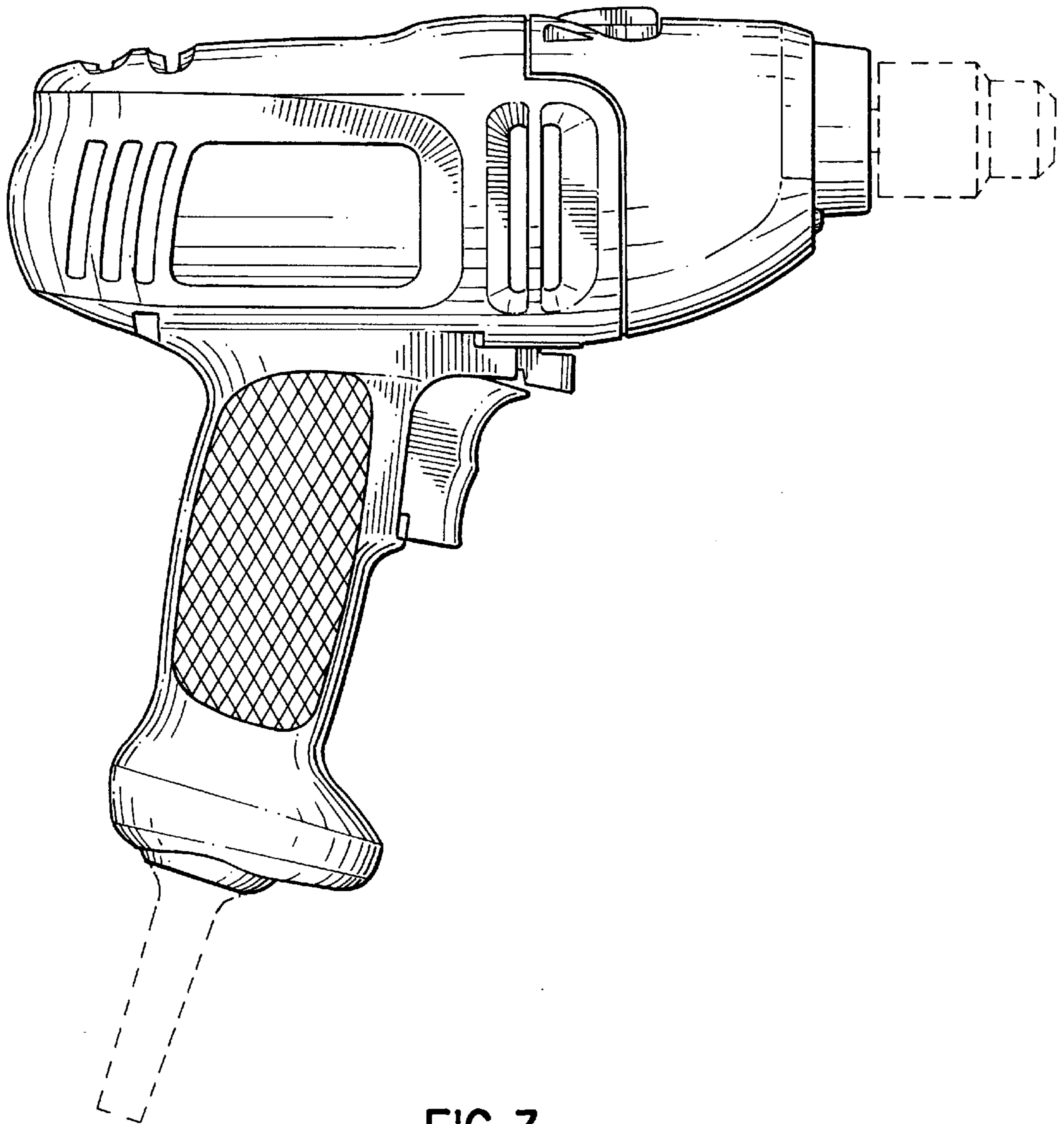


FIG. 3

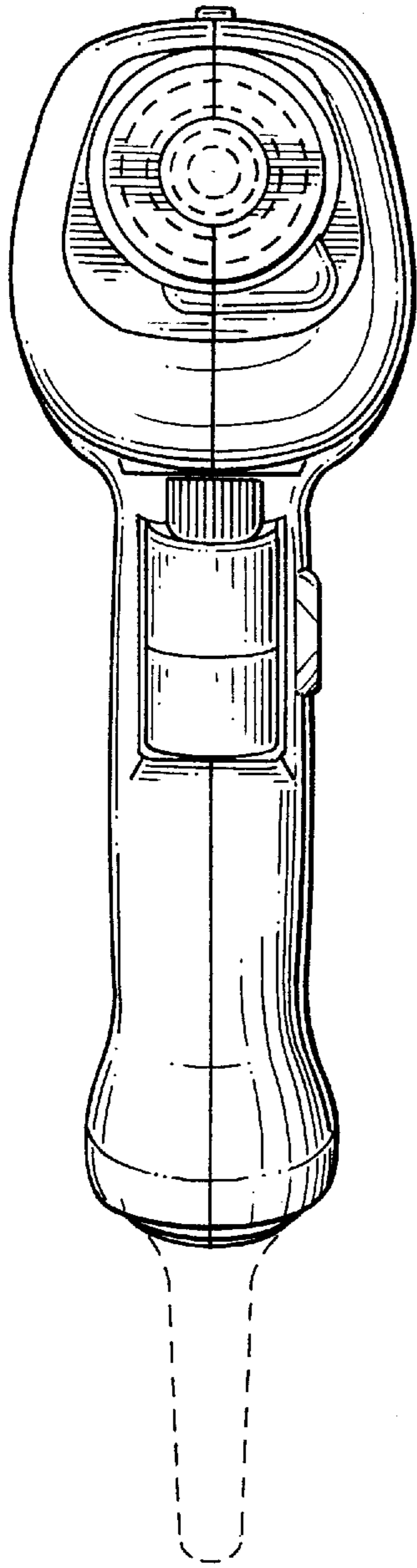


FIG. 4

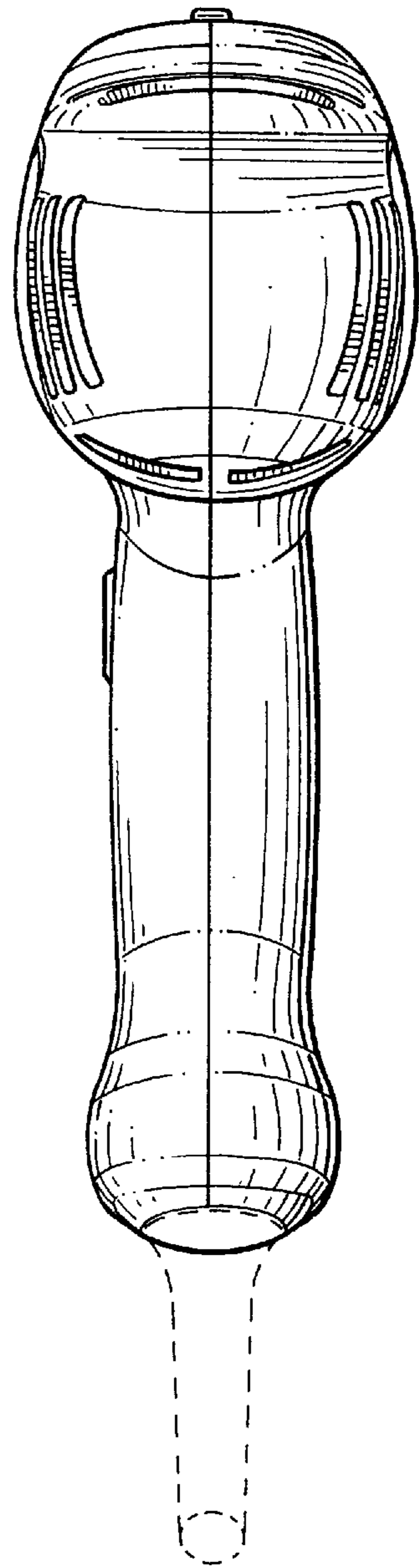


FIG. 5

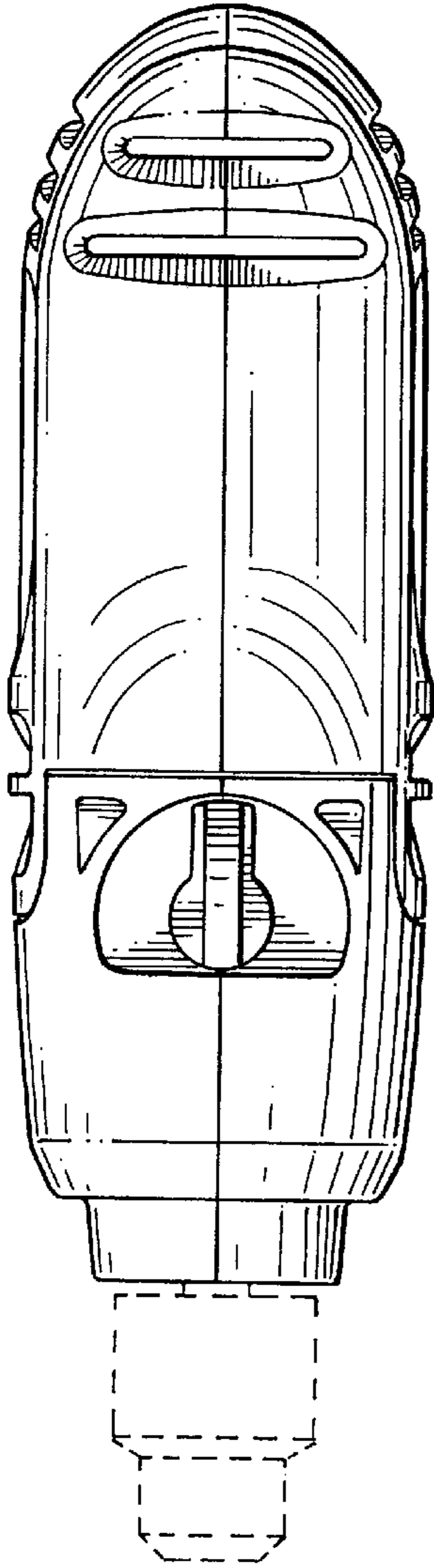


FIG. 6

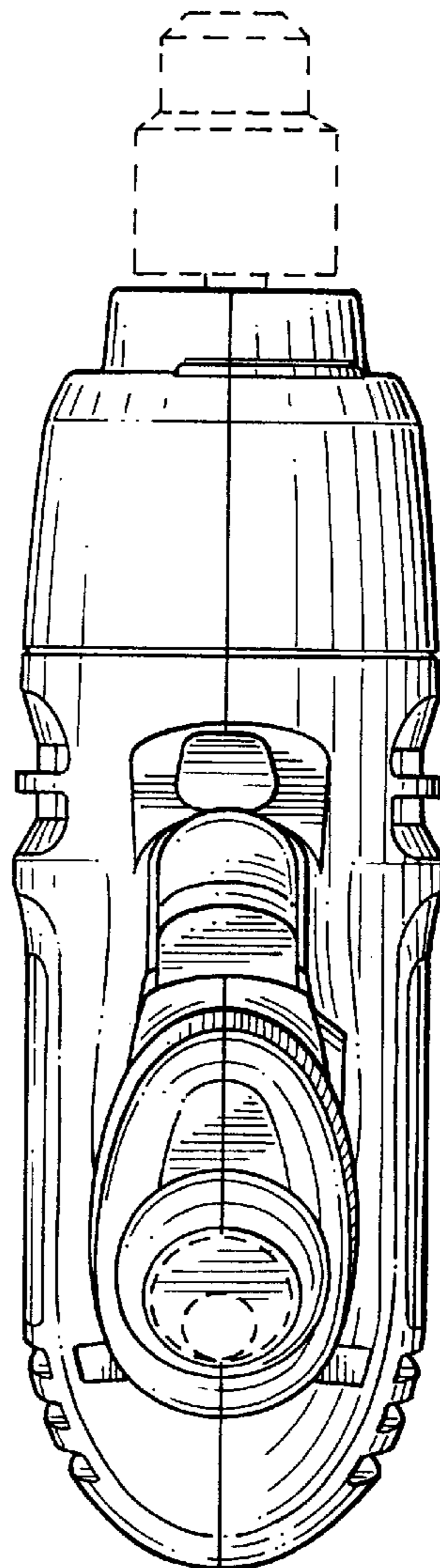


FIG. 7

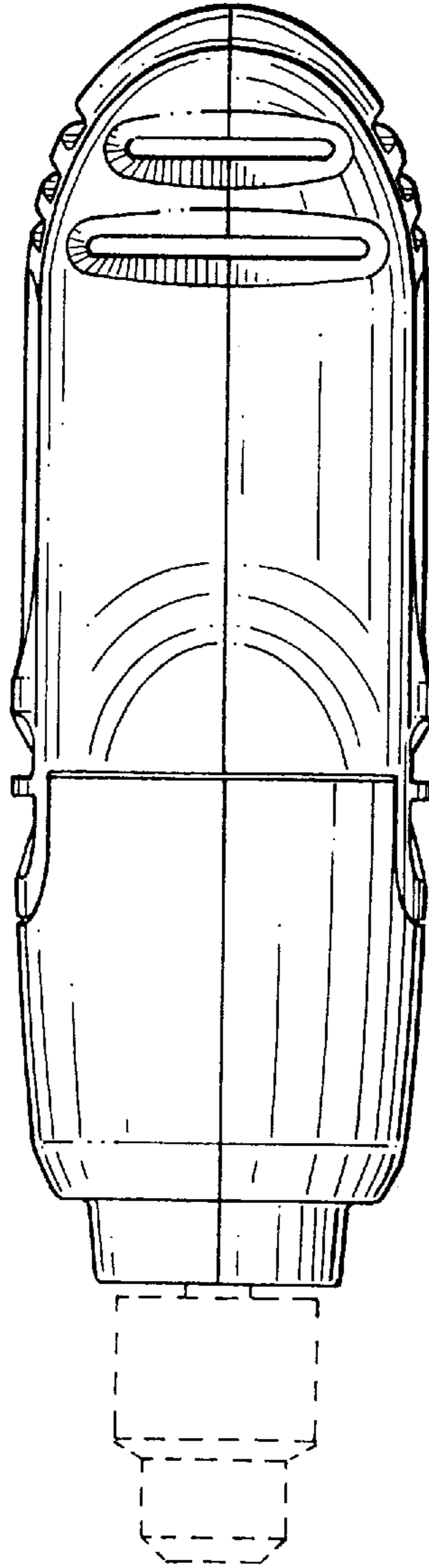


FIG. 8

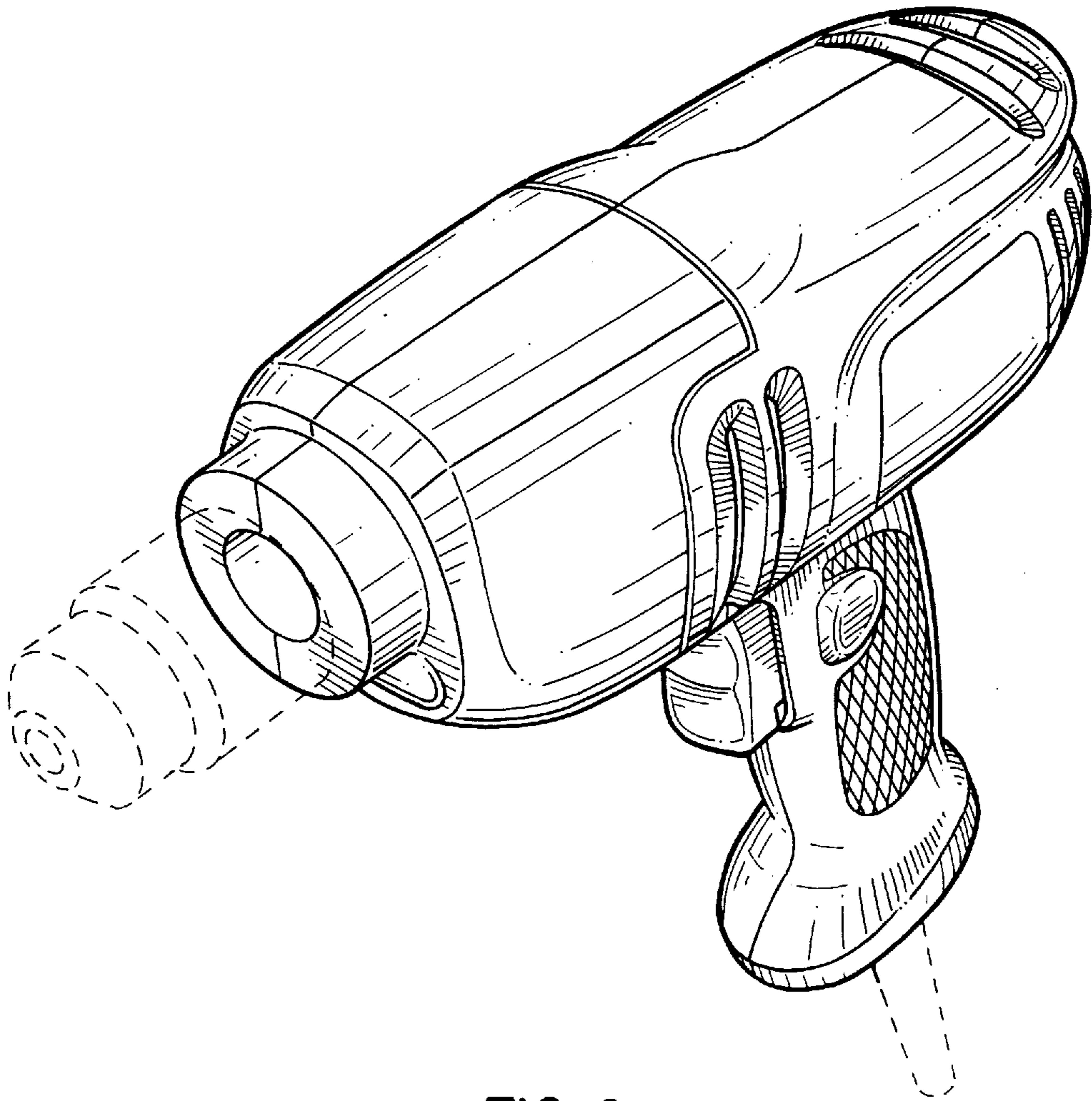


FIG. 9