

US00D400073S

United States Patent [19]
Hara

[11] **Patent Number: Des. 400,073**
[45] **Date of Patent: **Oct. 27, 1998**

[54] **PORTABLE ELECTRIC BELT SANDER**

FOREIGN PATENT DOCUMENTS

[75] Inventor: **Akihito Hara**, Anjo, Japan

803179 12/1990 Japan .

[73] Assignee: **Makita Corporation**, Japan

OTHER PUBLICATIONS

[**] Term: **14 Years**

Skil General Catalogue, "Flex 1 Charge Interchangeable Power System," Model Nos. 1200 and 1205 (1993).

[21] Appl. No.: **79,288**

Primary Examiner—Antoine Duval Davis
Attorney, Agent, or Firm—Lahive & Cockfield, LLP

[22] Filed: **Nov. 12, 1997**

[57] **CLAIM**

[30] **Foreign Application Priority Data**

The ornamental design for a portable electric belt sander, as shown and described.

Jun. 25, 1997 [JP] Japan 9-59480

[51] **LOC (6) Cl.** **08-01**

DESCRIPTION

[52] **U.S. Cl.** **D8/62**

FIG. 1 is a perspective view of a portable electric belt sander showing my new design;

[58] **Field of Search** D8/62; D15/124;
451/514, 355-358, 352, 350

FIG. 2 is a left side elevational view thereof;
FIG. 3 is a right side elevational view thereof;
FIG. 4 is a front elevational view thereof;
FIG. 5 is a rear side elevational view thereof;
FIG. 6 is top plan view thereof; and,
FIG. 7 is bottom plan view thereof.

[56] **References Cited**

U.S. PATENT DOCUMENTS

D. 323,099 1/1992 Sakamoto et al. D8/62
4,967,516 11/1990 Hoshino et al. 451/356
5,403,229 4/1995 Seli 451/352

1 Claim, 7 Drawing Sheets

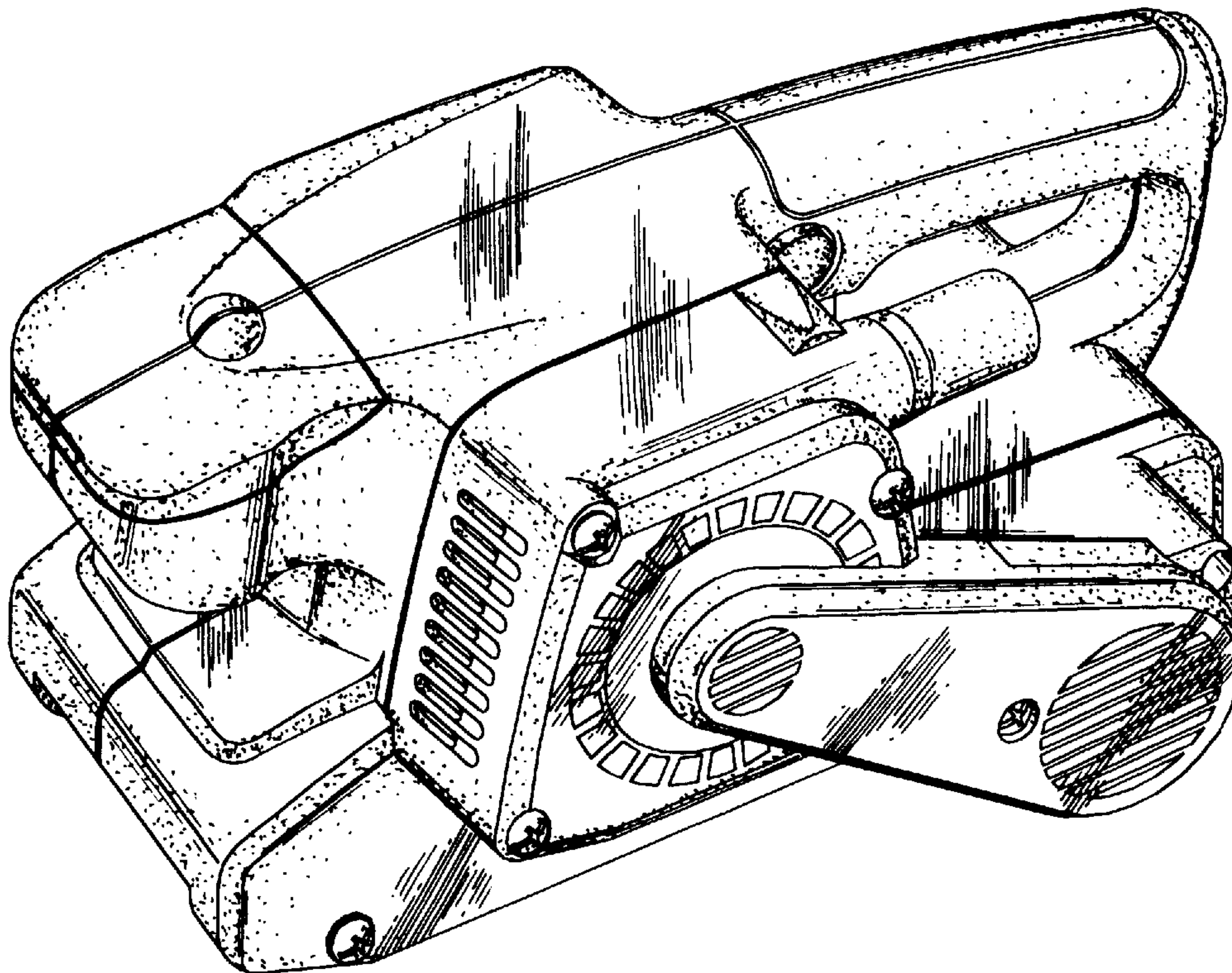


FIG. 1

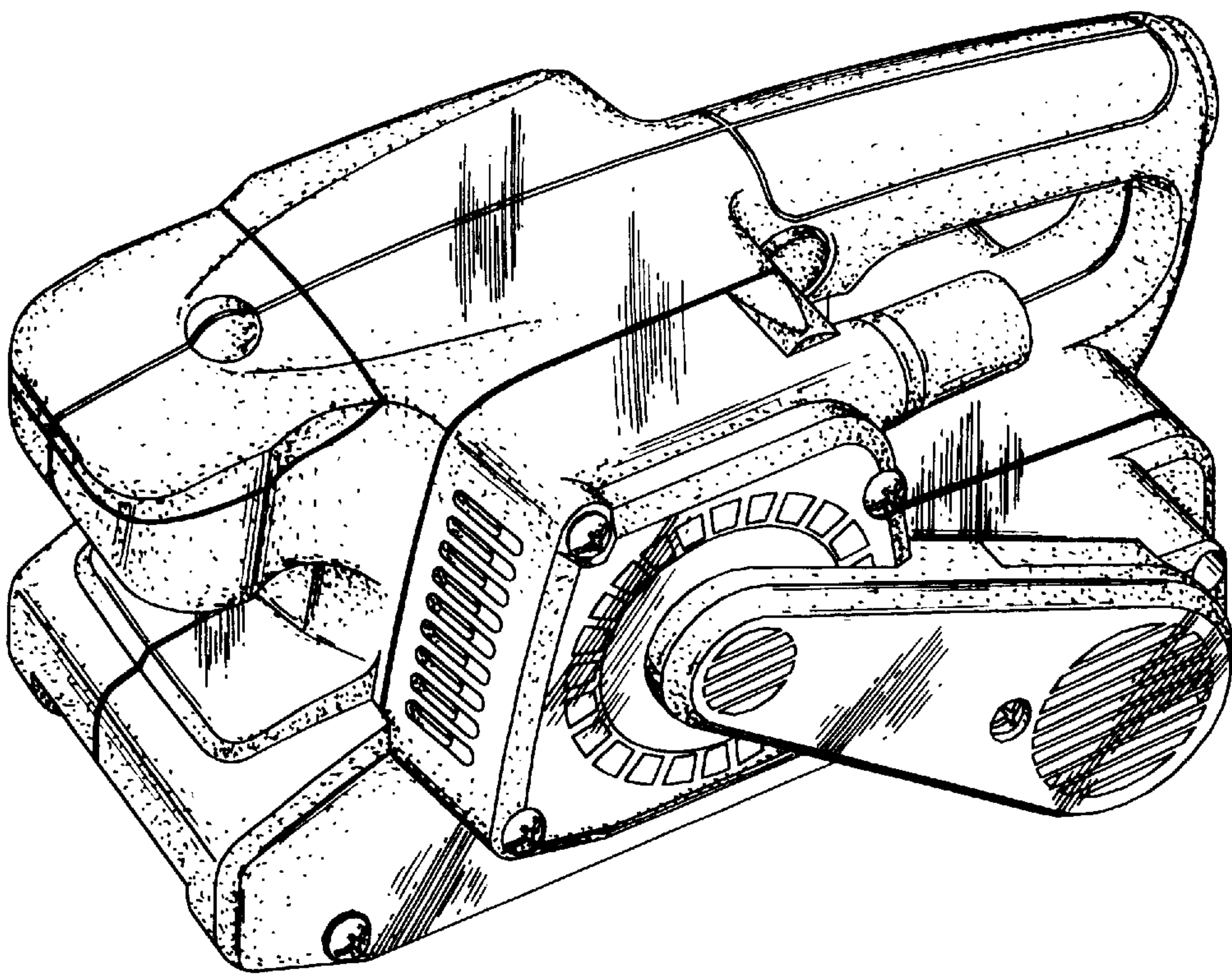


FIG. 2

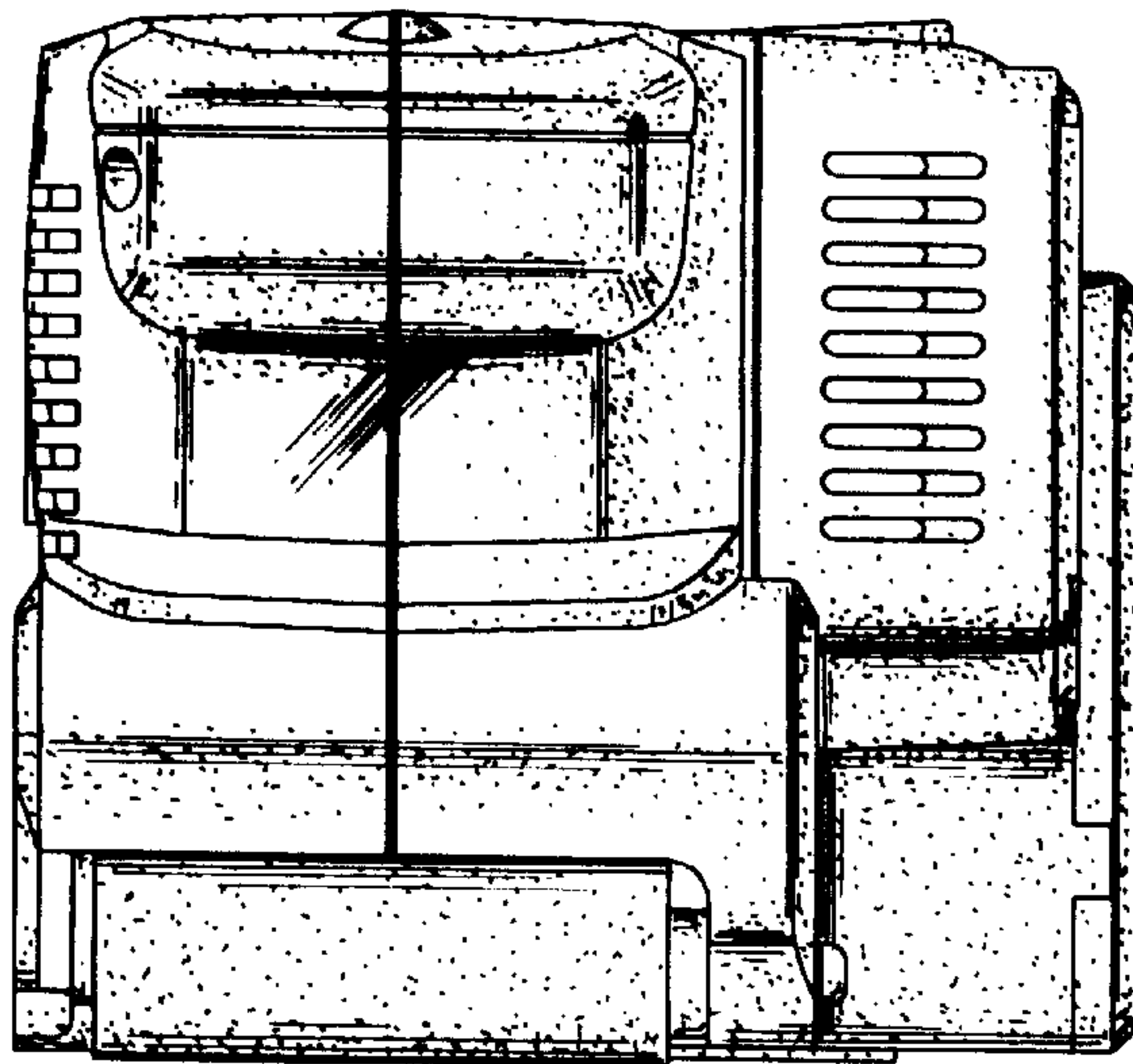


FIG. 3

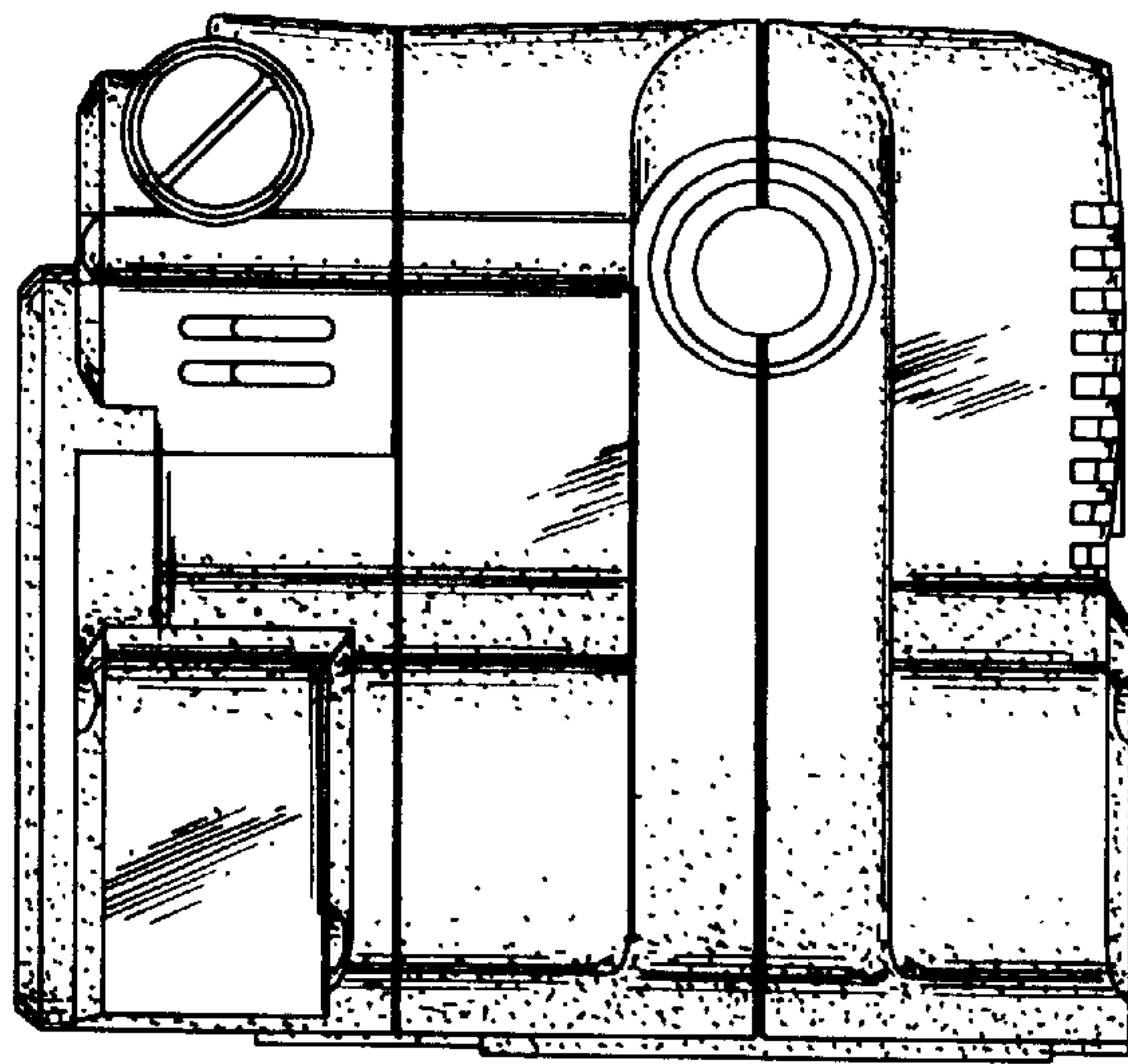


FIG. 4

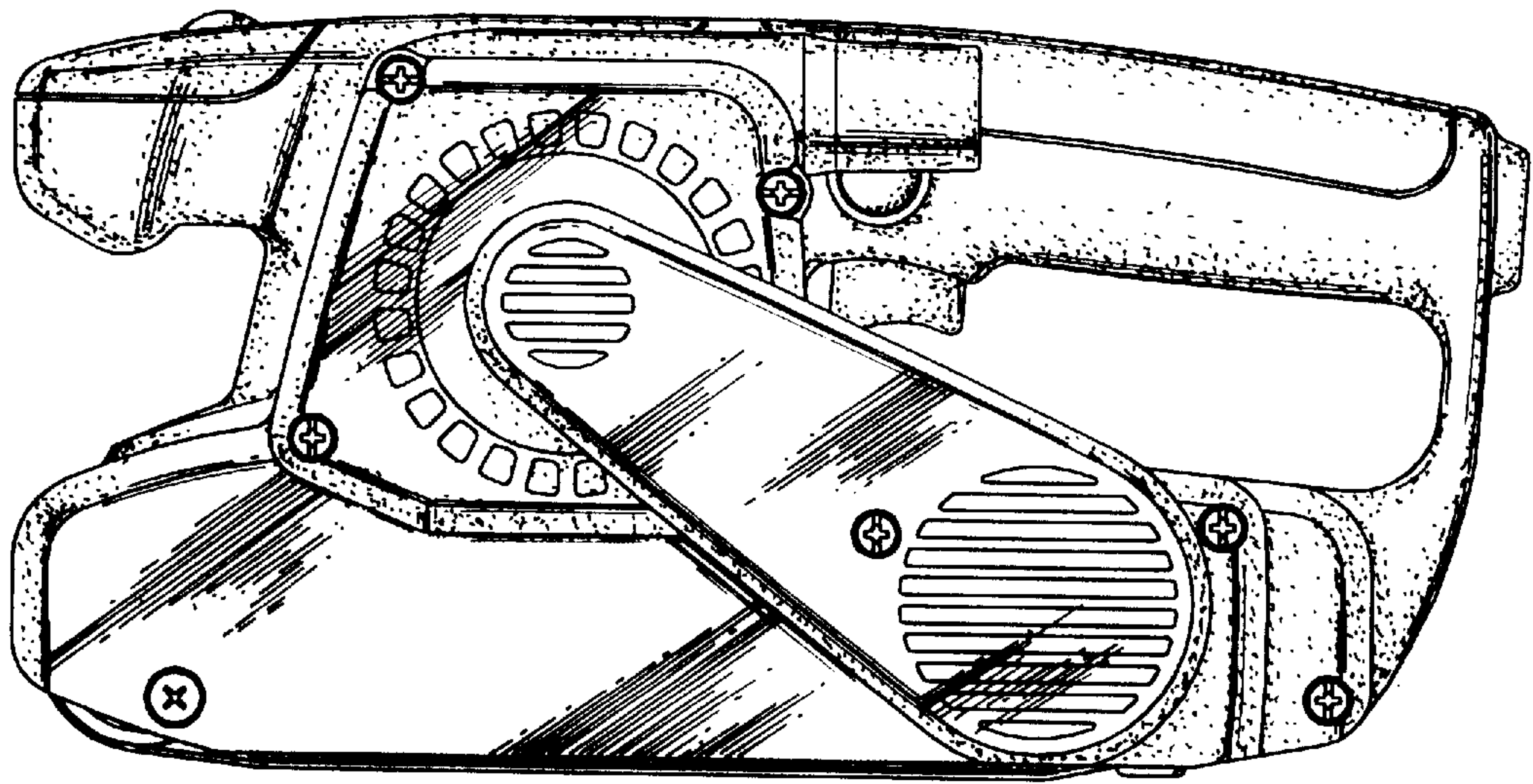


FIG. 5

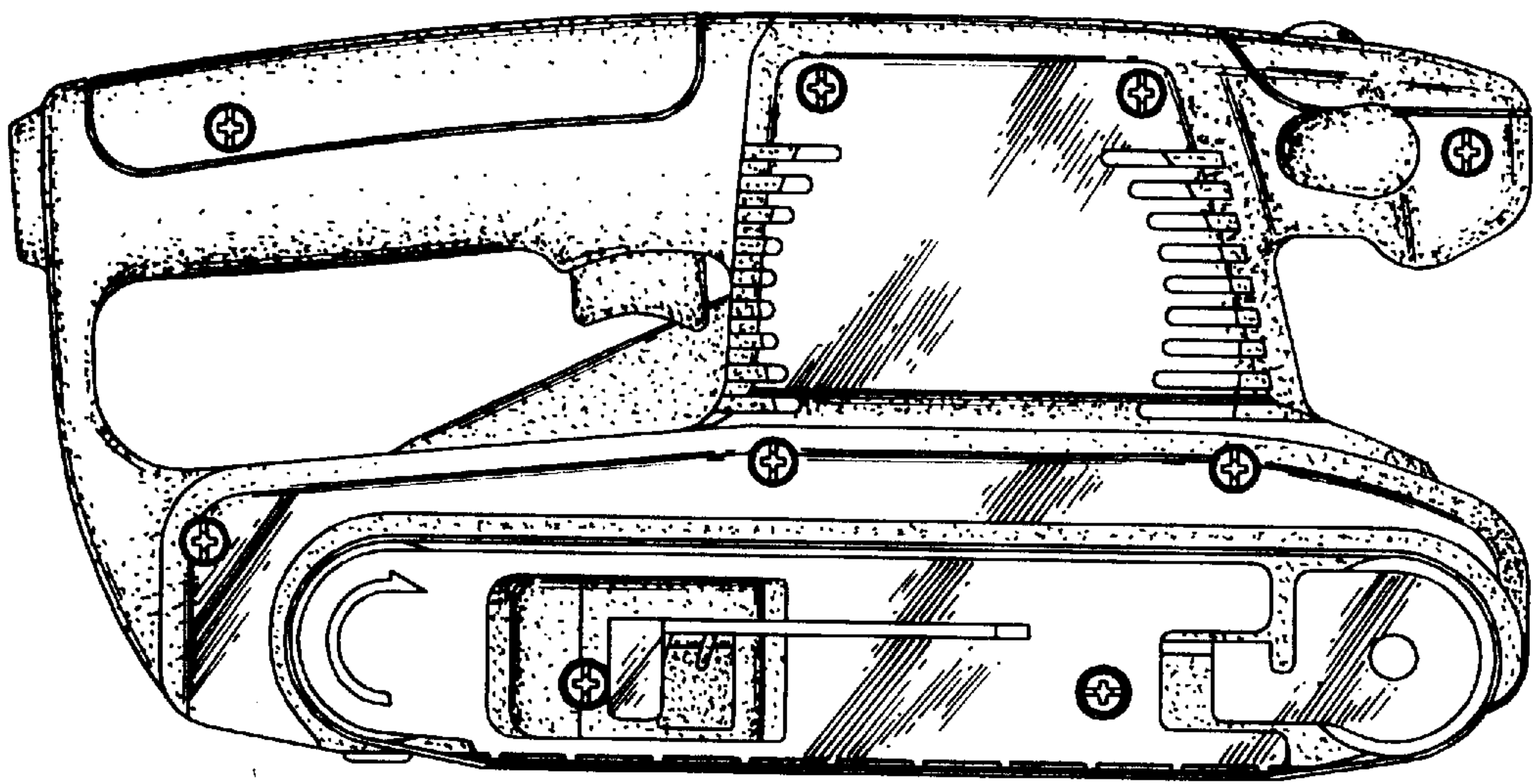


FIG. 6

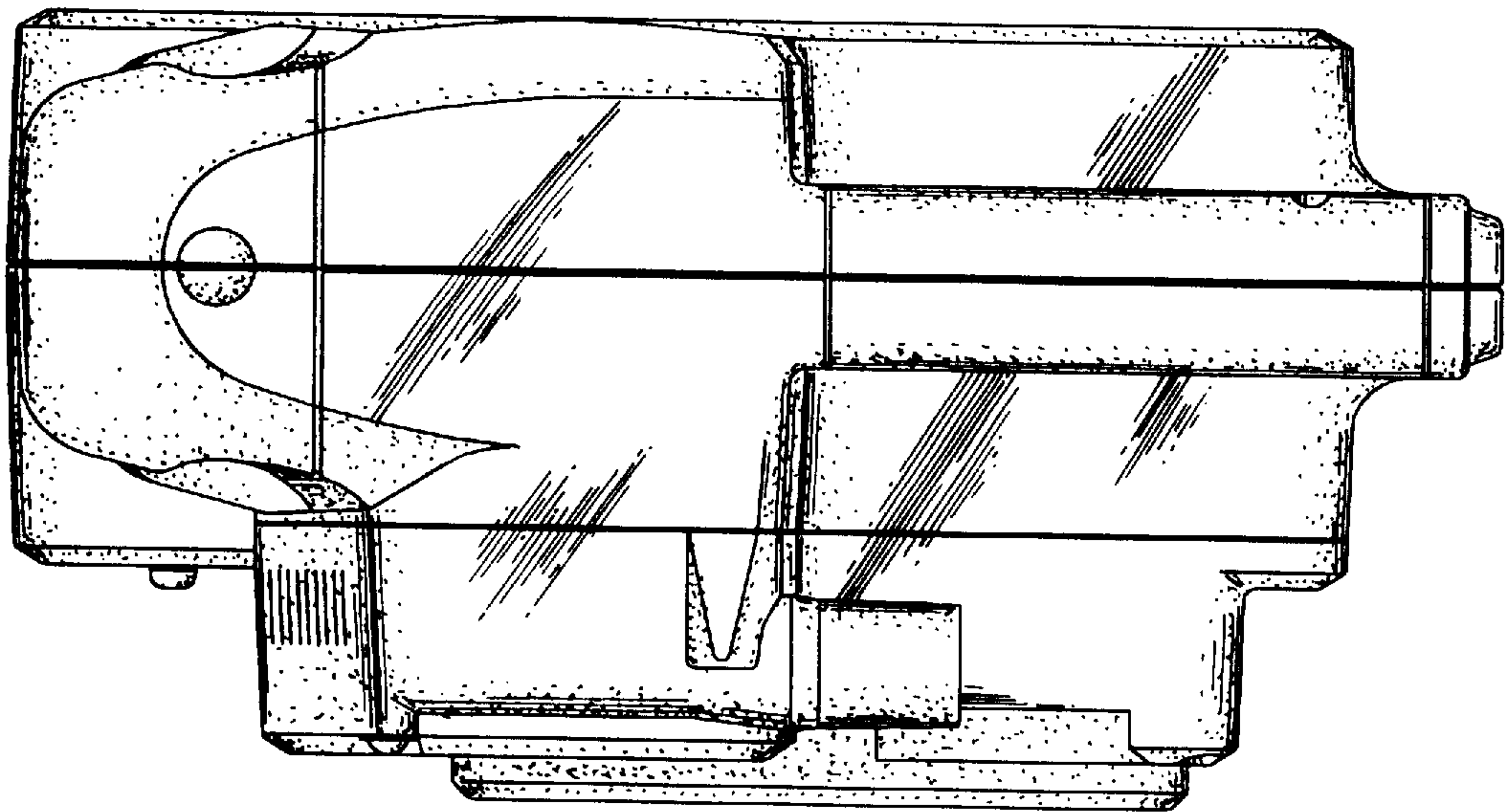


FIG. 7

