

US00D400067S

United States Patent [19]
Gold

[11] **Patent Number: Des. 400,067**

[45] **Date of Patent: **Oct. 27, 1998**

[54] **UTILITY KNIFE SCRAPING BLADE**

5,519,908 5/1996 Steinman et al. 7/158

[76] Inventor: **Peter Gold**, 465 N. Wood Rd.,
Rockville Centre, N.Y. 11570

Primary Examiner—Caron D. Veynar
Attorney, Agent, or Firm—Myron Amer P.C.

[**] Term: **14 Years**

[57] **CLAIM**

[21] Appl. No.: **61,862**

The ornamental design for utility knife scraping blade, as shown and described.

[22] Filed: **Nov. 1, 1996**

DESCRIPTION

[51] **LOC (6) Cl.** **08-03**

[52] **U.S. Cl.** **D8/20; 30/346**

[58] **Field of Search** D8/16, 19, 20,
D8/98, 99, 47; 7/158, 170; 30/161, 165,
166.3, 332, 346; 125/3, 12, 15, 13.01, 13.02

FIG. 1 is a perspective view of utility knife scraping blade showing my new design;
FIG. 2 is a front elevational view thereof;
FIG. 3 is a rear elevational view thereof;
FIG. 4 is a top view thereof;
FIG. 5 is a bottom view thereof;
FIG. 6 is a left side elevation view thereof; and,
FIG. 7 is a right side elevation view thereof.

[56] **References Cited**

U.S. PATENT DOCUMENTS

1,345,637 7/1920 Sarkozy 30/332
4,974,273 12/1990 Buttermore et al. 7/170

1 Claim, 1 Drawing Sheet

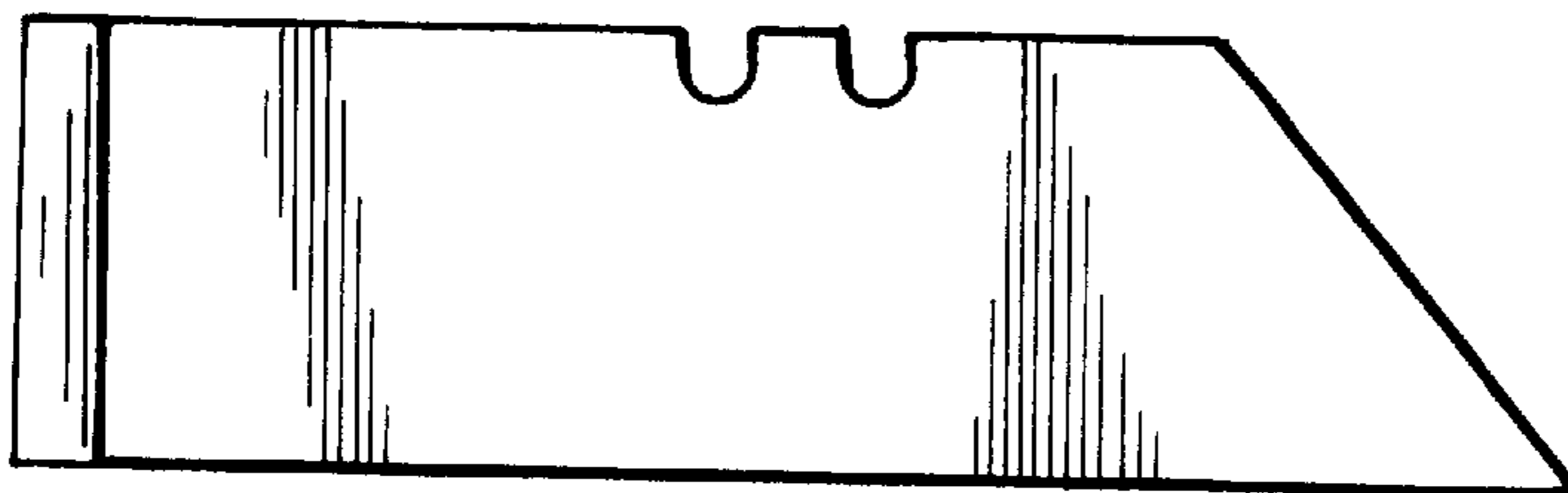
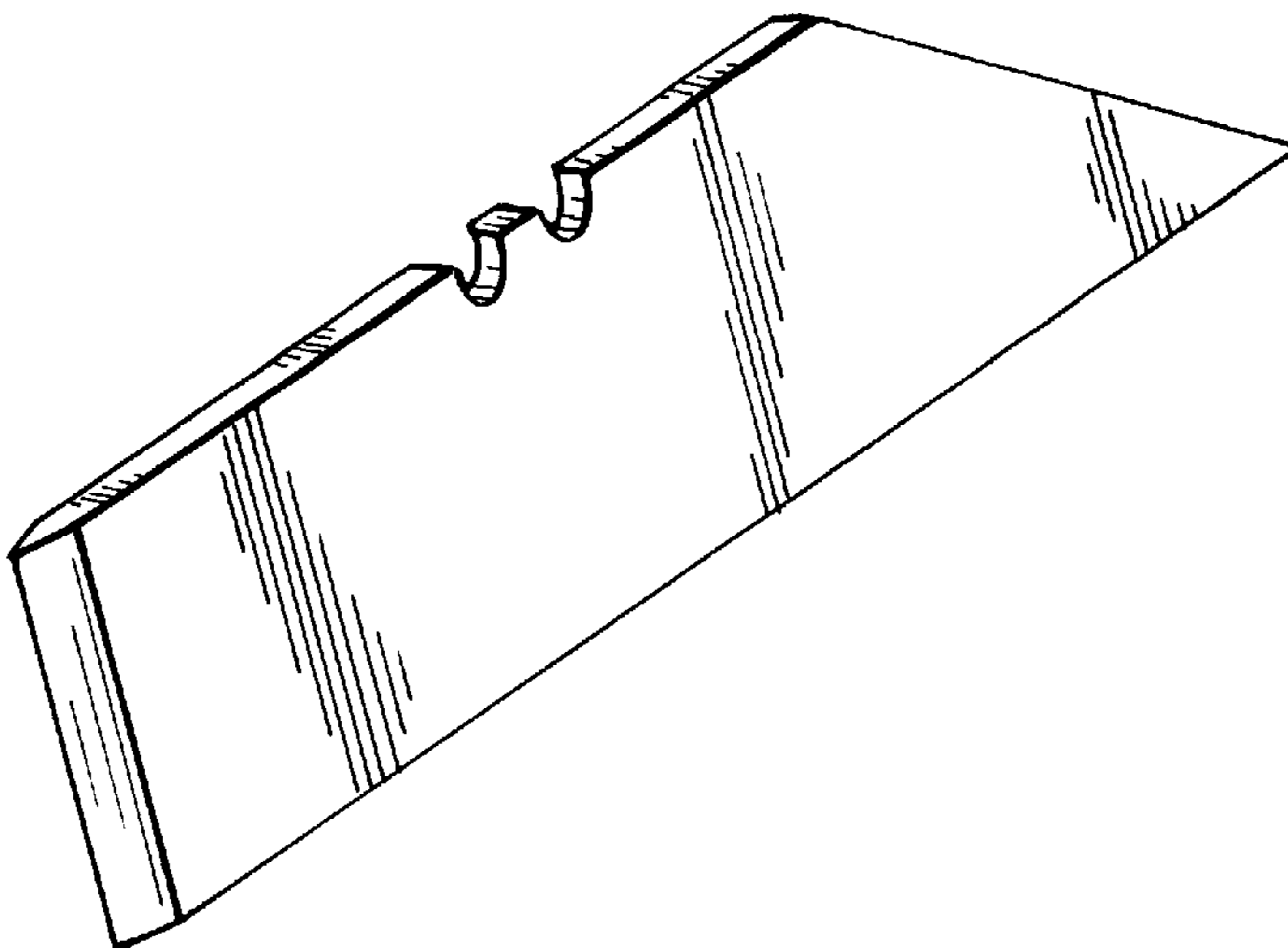


FIG. 1

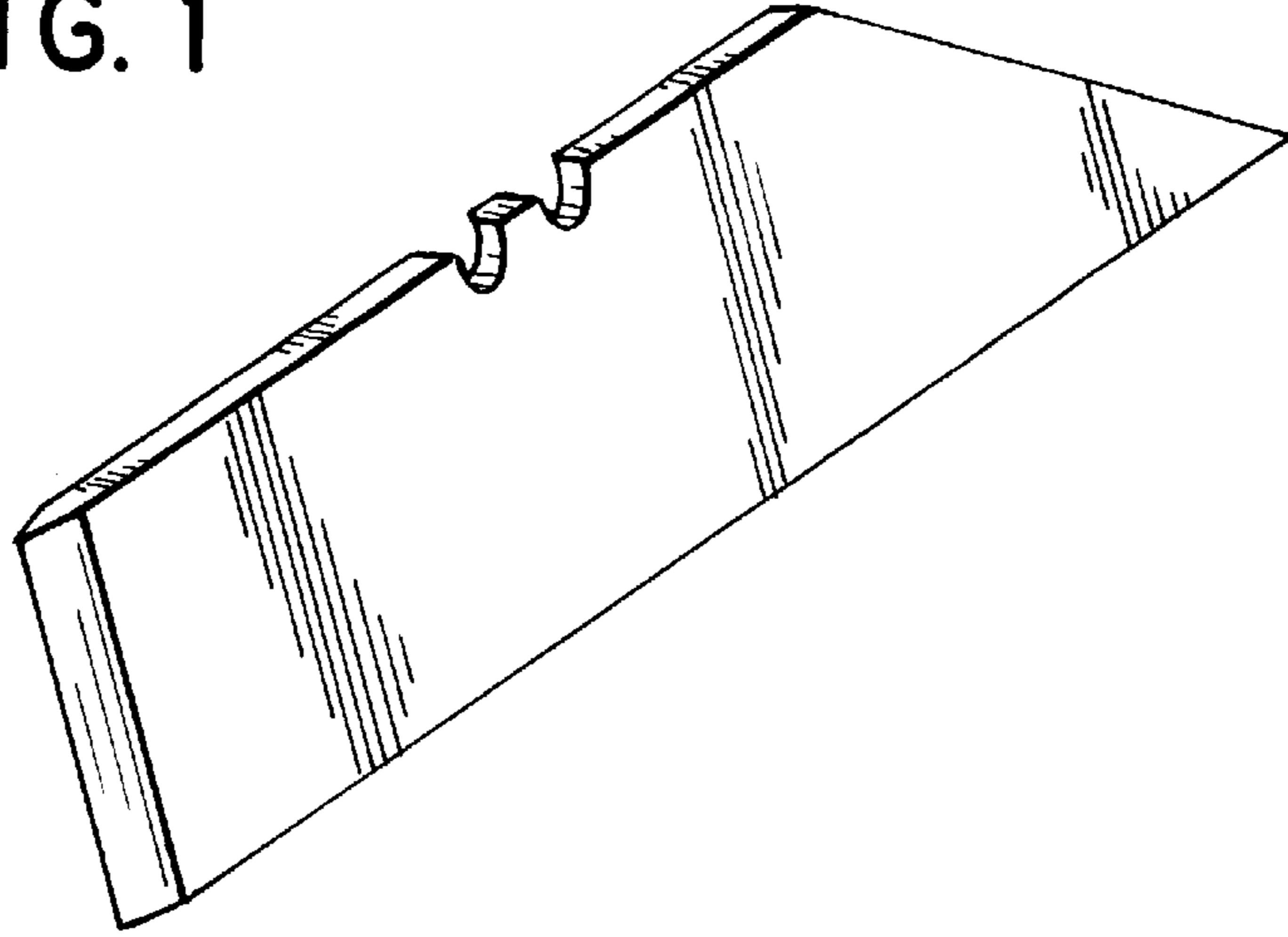


FIG. 2

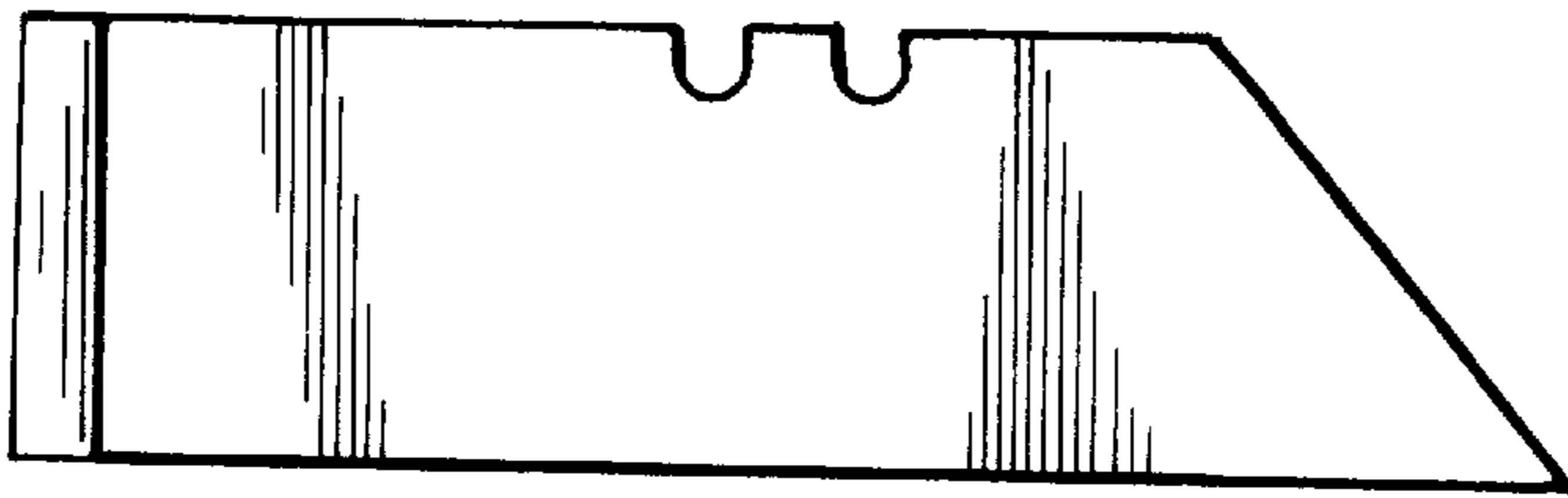


FIG. 6



FIG. 3

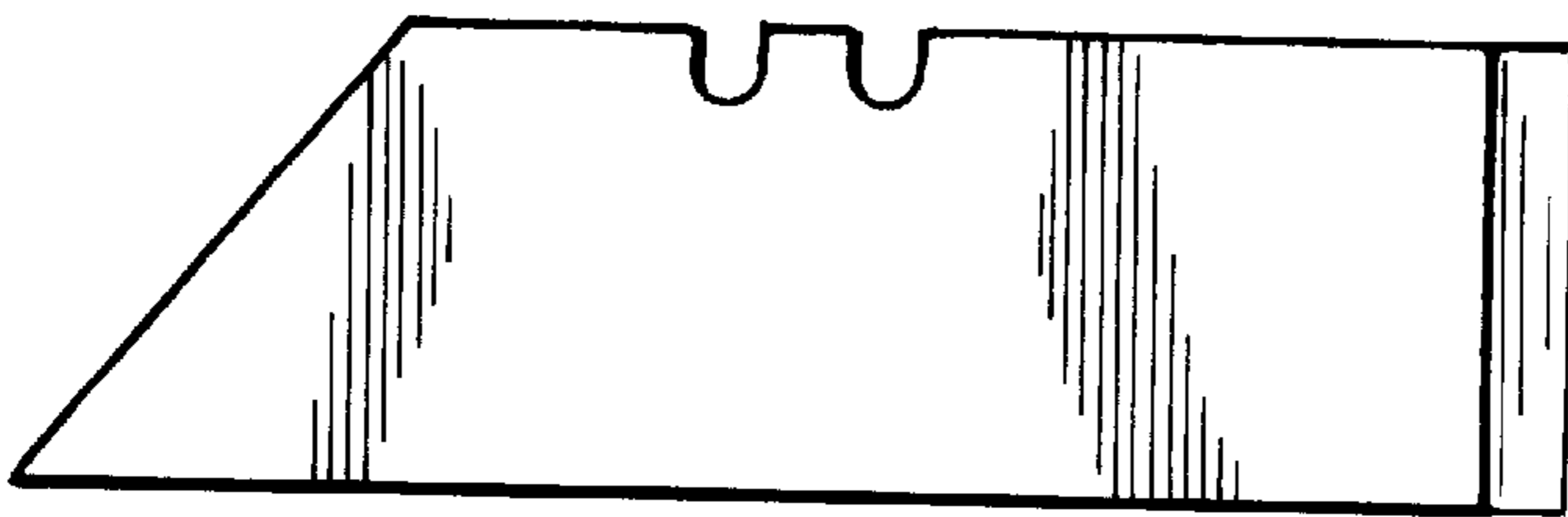


FIG. 7



FIG. 4



FIG. 5

