



US00D400066S

# United States Patent [19]

Kelsey et al.

[11] **Patent Number: Des. 400,066**

[45] **Date of Patent: \*\*Oct. 27, 1998**

[54] **IN-LINE SKATE TOOL**

5,370,021 12/1994 Shigematsu ..... 81/436  
5,431,075 7/1995 Cruz et al. .... 81/436 X

[76] Inventors: **Mark S. Kelsey**, 85 Cedar Cliff Rd., Braintree, Mass. 02184; **A. M. Hay**, 51 Tide Mill Rd., Hampton, N.H. 03842; **Stephen J. Barbarisi**, 2 Pillowlace La., Ipswich, Mass. 01938

*Primary Examiner*—Sandra L. Morris  
*Assistant Examiner*—Richelle Shelton  
*Attorney, Agent, or Firm*—Pearson & Pearson

[\*\*] Term: **14 Years**

[57] **CLAIM**

The ornamental design for the in-line skate tool, as shown and described.

[21] Appl. No.: **70,948**

**DESCRIPTION**

[22] Filed: **Feb. 18, 1997**

[51] **LOC (6) Cl. .... 08-05**

[52] **U.S. Cl. .... D8/14**

[58] **Field of Search .... D8/14, 21, 82; 81/436, 460**

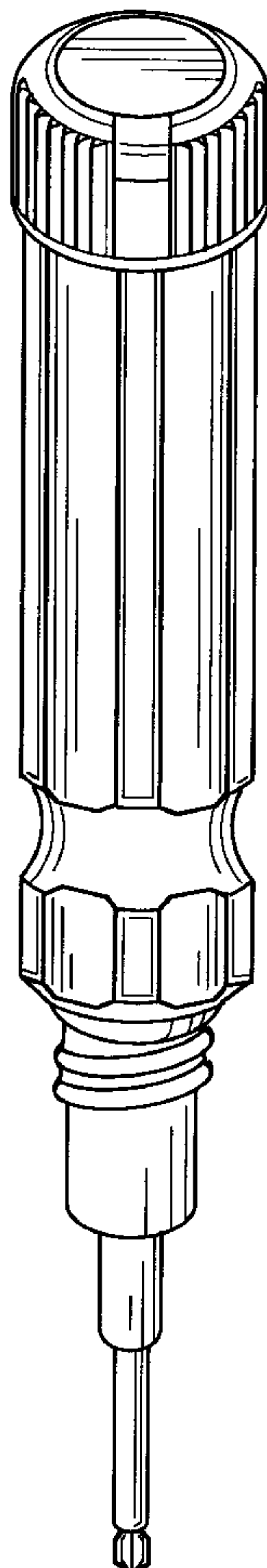
FIG. 1 is a front perspective view of the in-line skate tool showing our new design;  
FIG. 2 is a front elevational view of the in-line skate tool thereof;  
FIG. 3 is a rear elevational view of the in-line skate tool thereof;  
FIG. 4 is a right side elevational view of the in-line skate tool thereof;  
FIG. 5 is a left side elevational view of the in-line skate tool thereof;  
FIG. 6 is a top plan view of the in-line skate tool thereof; and,  
FIG. 7 is a bottom plan view of the in-line skate tool thereof.

[56] **References Cited**

**U.S. PATENT DOCUMENTS**

D. 310,472	9/1990	Mader et al. ....	D8/82
D. 362,909	10/1995	Warner .....	D8/25 X
4,774,736	10/1988	Brawner et al. ....	7/138
5,086,674	2/1992	Her .....	81/124.4
5,355,574	10/1994	Zweekly et al. ....	29/262
5,365,811	11/1994	Chi .....	81/439
5,369,864	12/1994	Hill .....	29/271

**1 Claim, 2 Drawing Sheets**



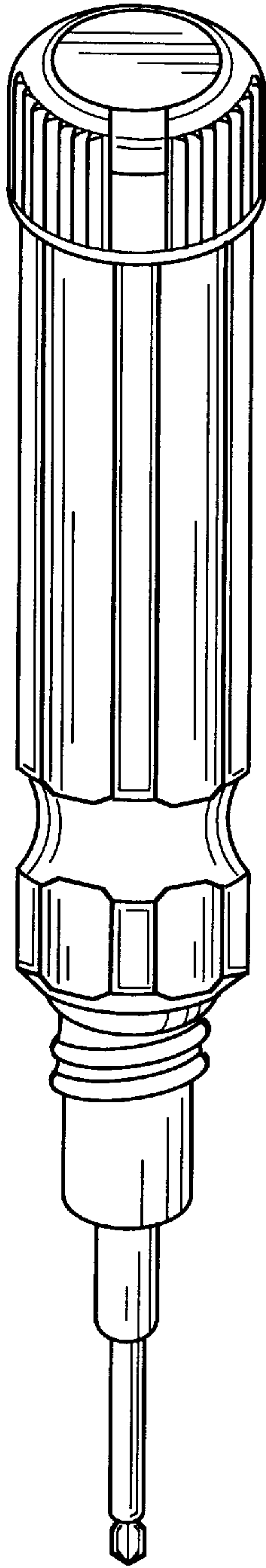


FIG. 1

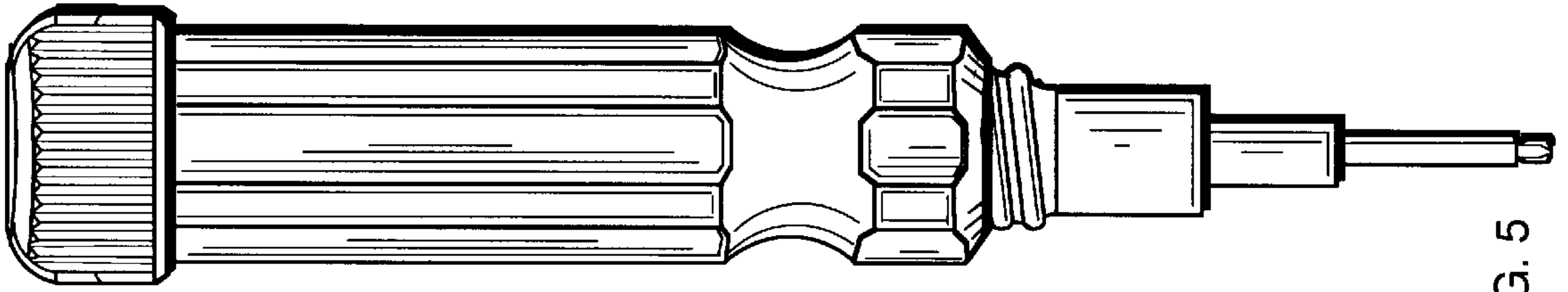


FIG. 5

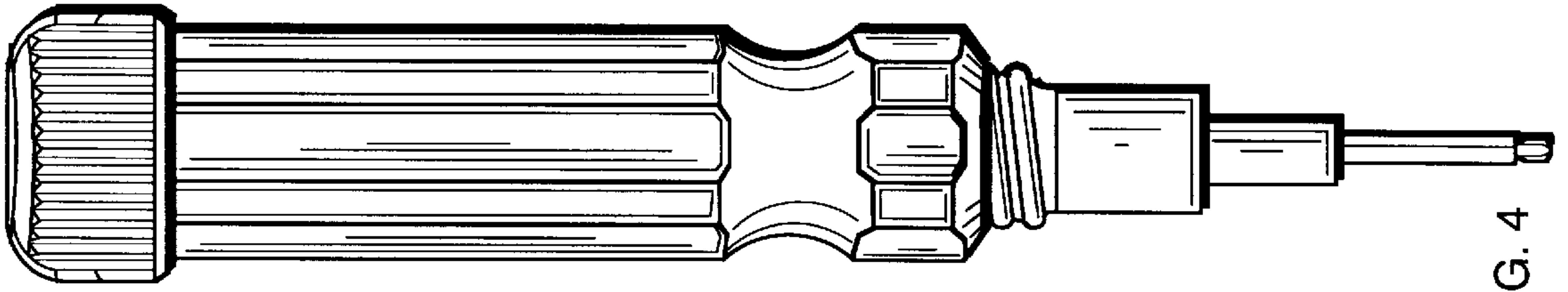


FIG. 4

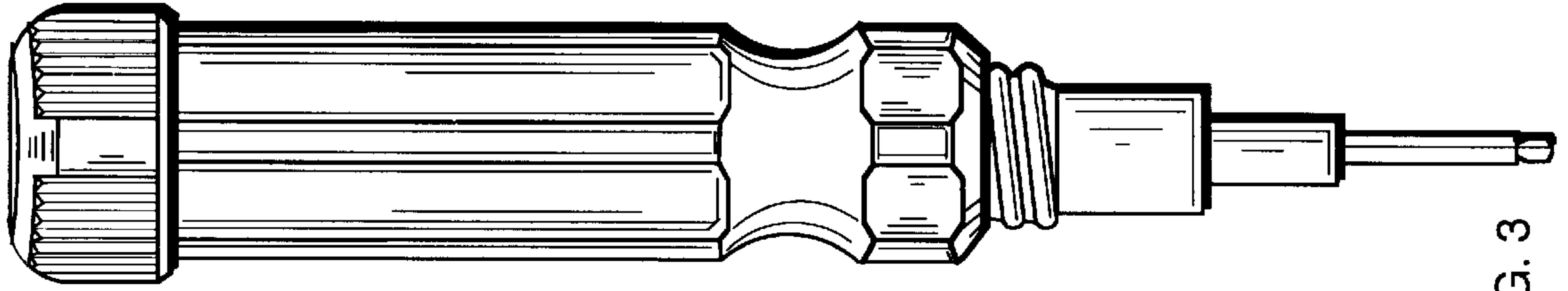


FIG. 3

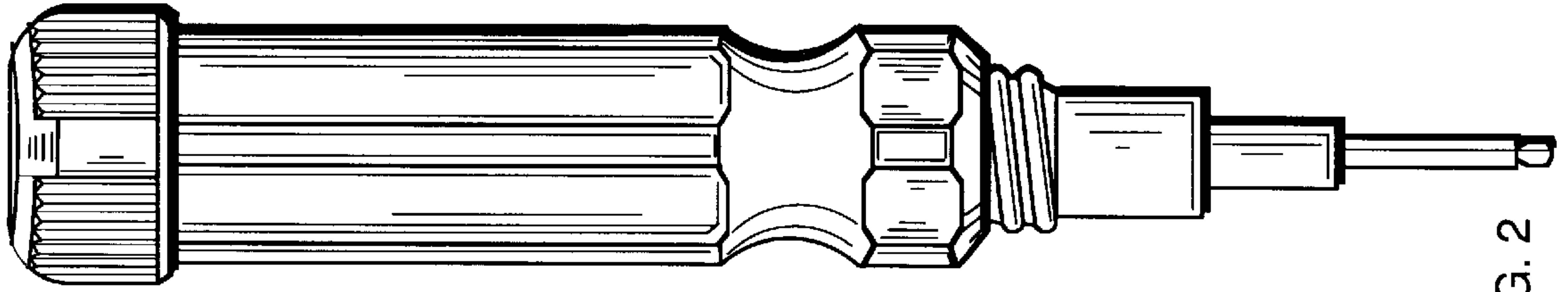


FIG. 2

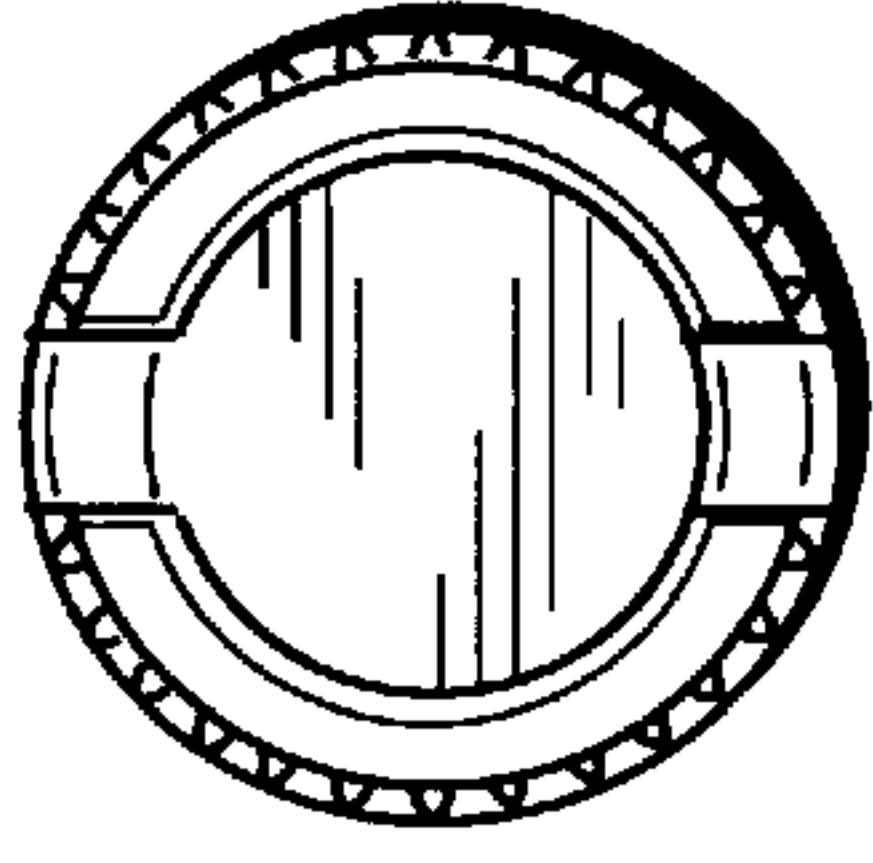


FIG. 6

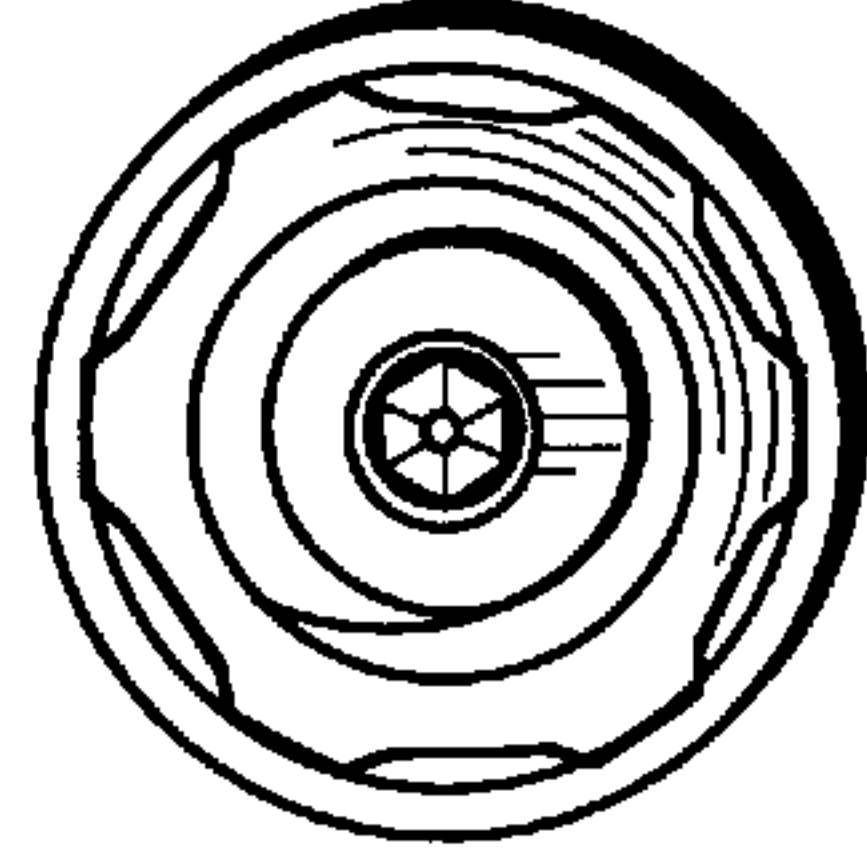


FIG. 7