



US00D400064S

**United States Patent** [19]  
**Tellez**

[11] **Patent Number: Des. 400,064**

[45] **Date of Patent: \*\*Oct. 27, 1998**

[54] **BAKERY DEVICE**

[76] Inventor: **Frank Tellez**, 136 Chesapeake Estate Dr., Stevensville, Md. 21666

[\*\*] Term: **14 Years**

[21] Appl. No.: **78,253**

[22] Filed: **Oct. 23, 1997**

[51] **LOC (6) Cl.** ..... **07-04**

[52] **U.S. Cl.** ..... **D7/669; D8/14**

[58] **Field of Search** ..... D7/669, 683, 686, D7/687; D8/14; D24/143; 294/99.2, 119, 119.2; D28/55; 606/210, 211

[56] **References Cited**

**U.S. PATENT DOCUMENTS**

D. 310,468	9/1990	Feng	.....	D8/14
4,891,886	1/1990	Diamant et al.	.....	294/99.2 X
5,421,630	6/1995	Sergi et al.	.....	294/99.2 X
5,487,578	1/1996	Williams	.....	294/99.2

*Primary Examiner*—Terry A. Wallace  
*Attorney, Agent, or Firm*—Oblon, Spivak, McClelland, Maier & Neustadt, P.C.

[57] **CLAIM**

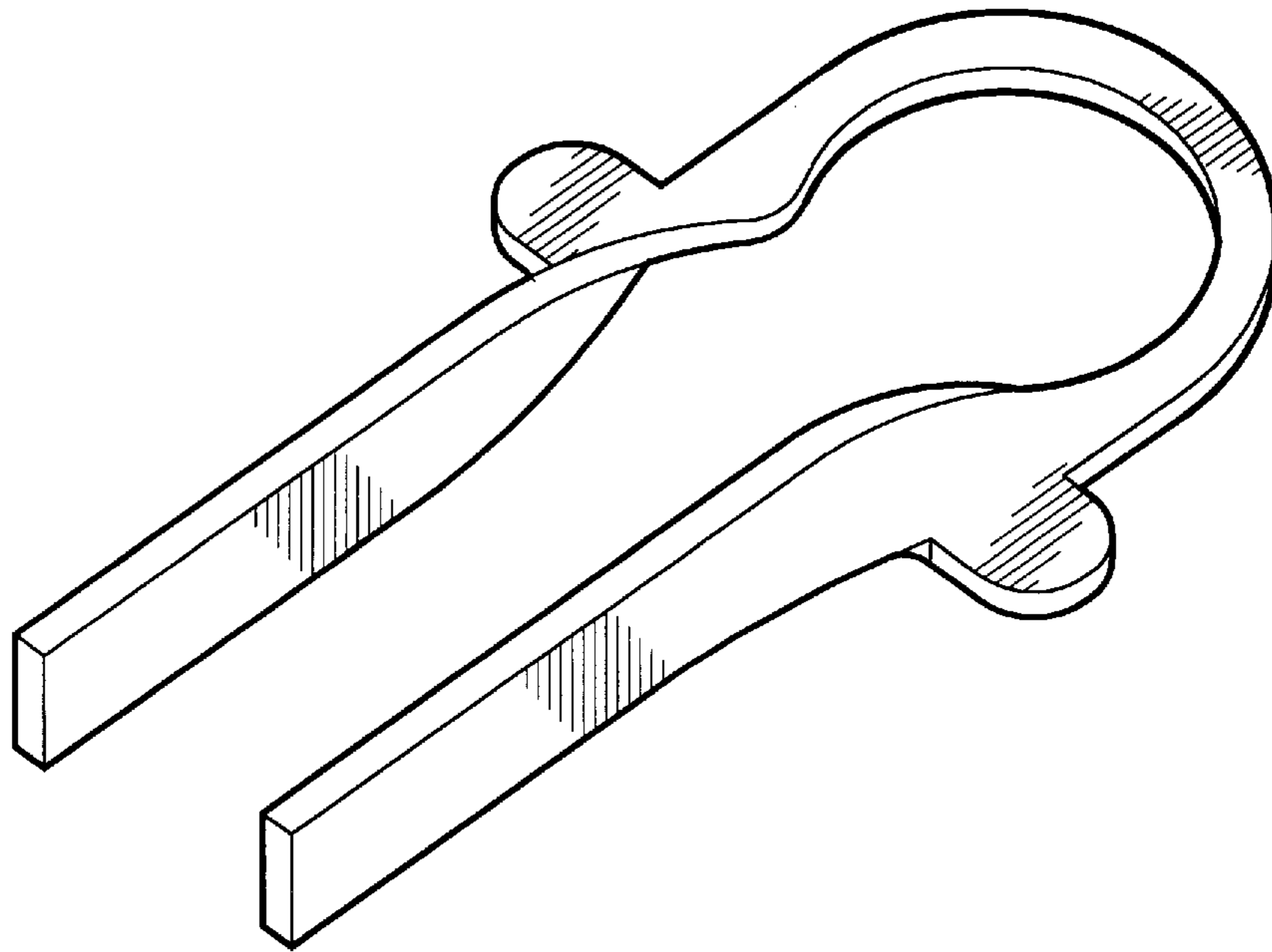
The ornamental design for a bakery device, as shown and described.

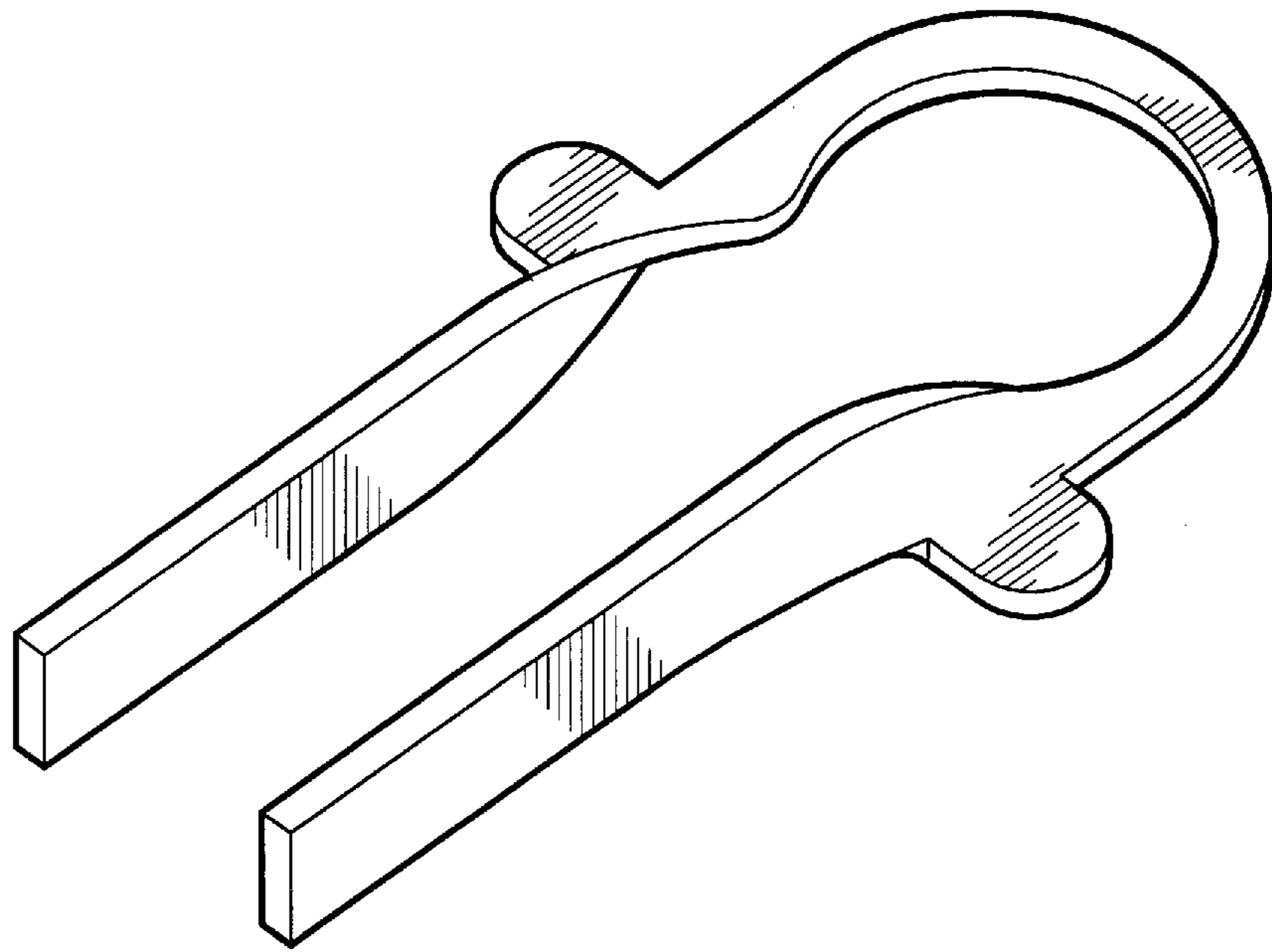
**DESCRIPTION**

FIG. 1 is a top, front and left side perspective view of bakery device embodying my new design;  
FIG. 2 is a front elevational view thereof;  
FIG. 3 is a rear elevational view thereof;  
FIG. 4 is a left side elevational view thereof, the right side view being a mirror image of the side shown;  
FIG. 5 is a top plan view thereof;  
FIG. 6 is a bottom plan view thereof; and,  
FIG. 7 is a top, front and left side perspective view thereof when mounted on a magnetic stand.

The magnetic stand shown in FIG. 7 in phantom lines is hereby disclaimed and forms no part of the claimed design.

**1 Claim, 4 Drawing Sheets**

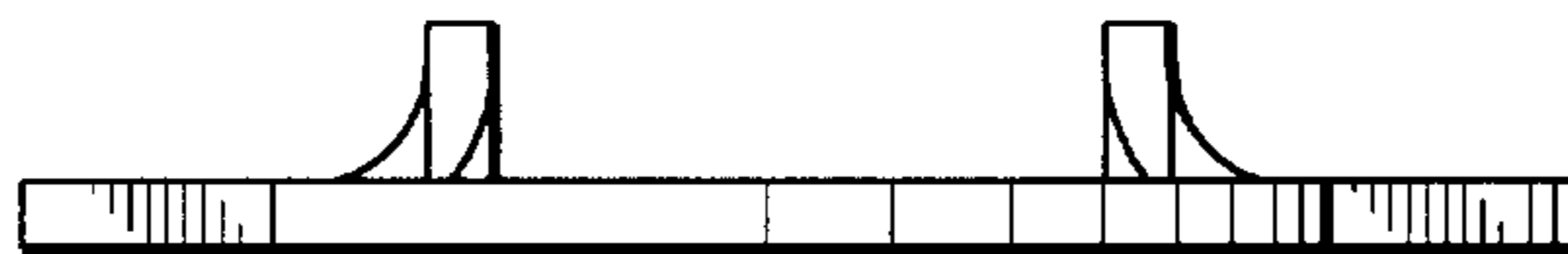




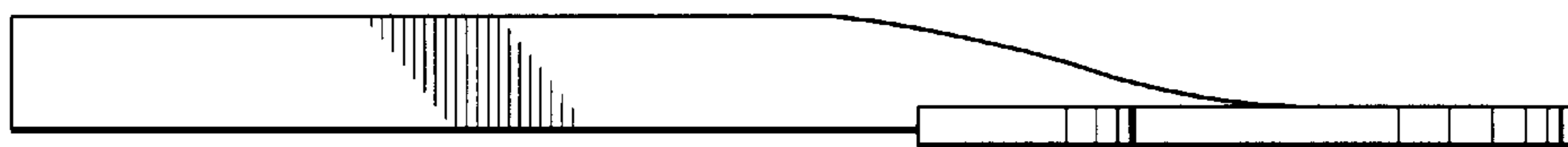
*FIG. 1*



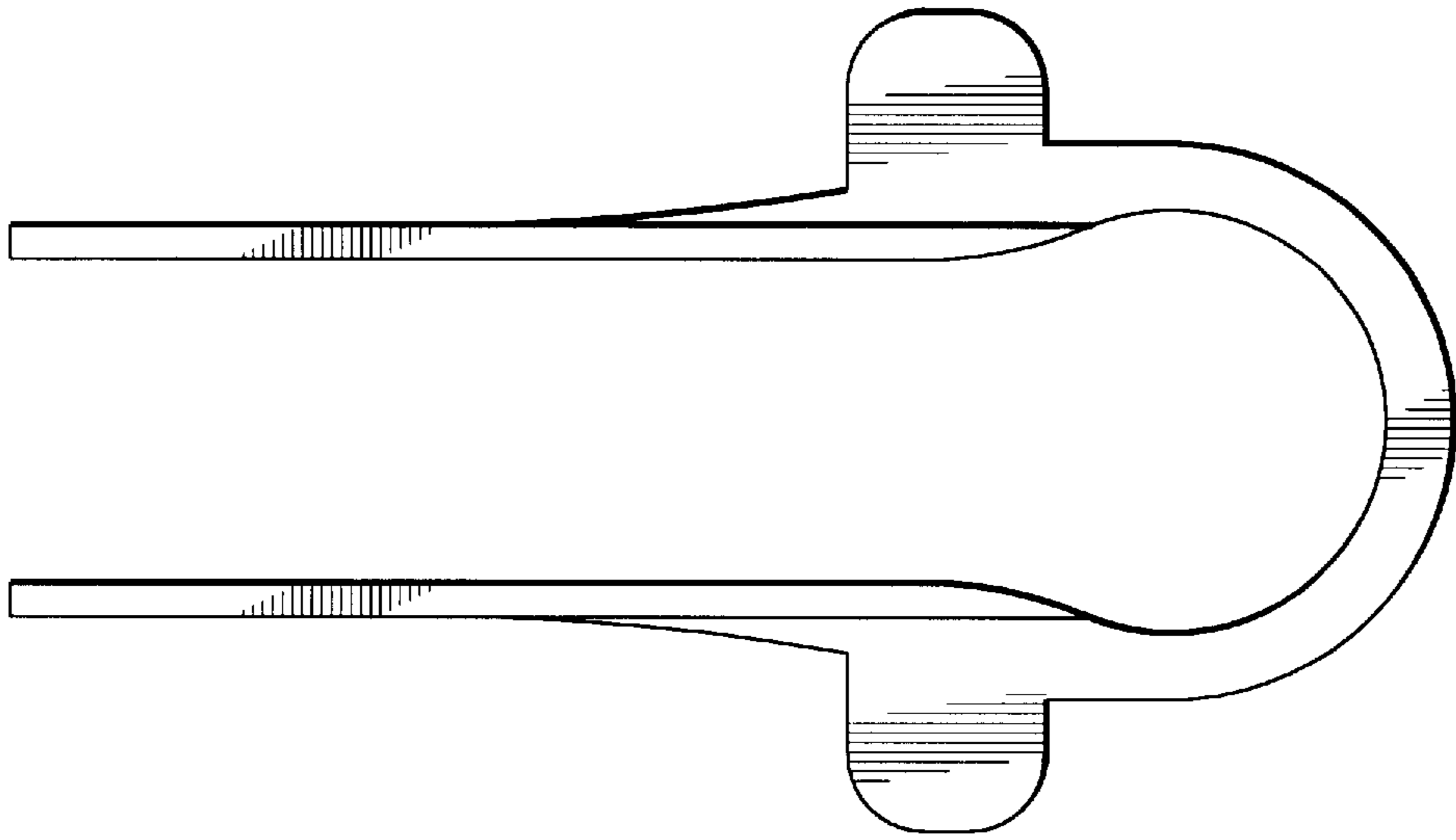
*FIG. 2*



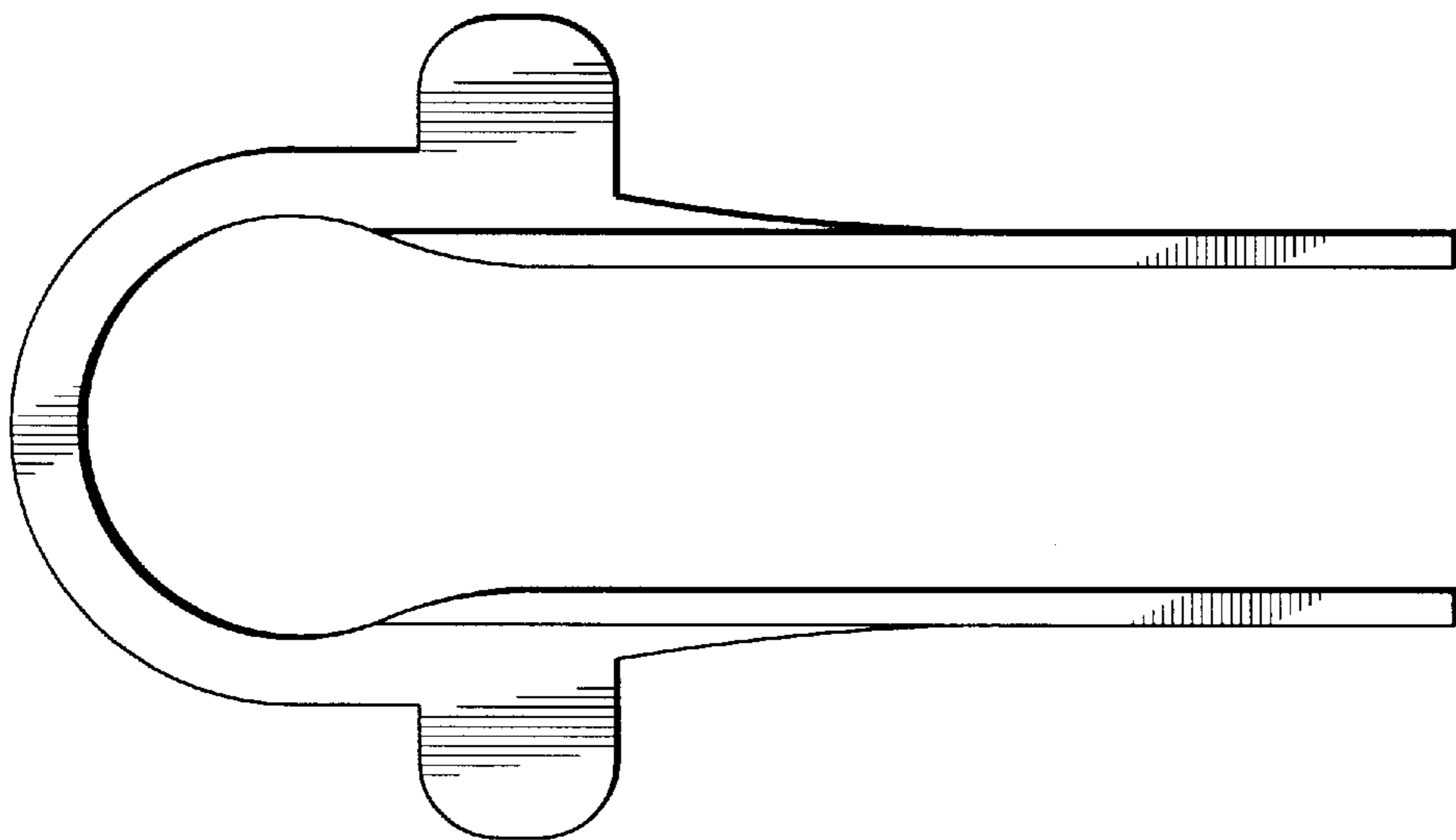
*FIG. 3*



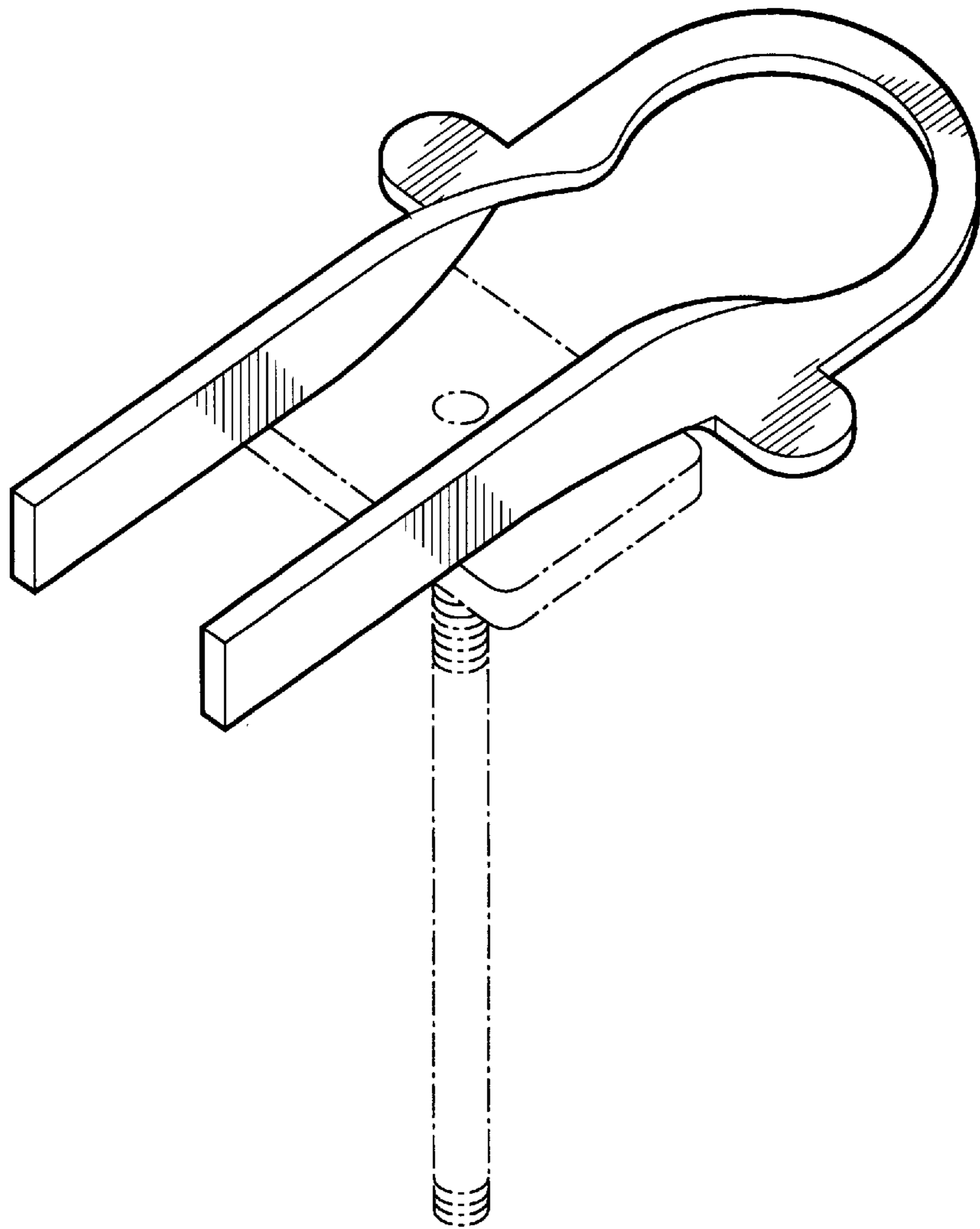
*FIG. 4*



*FIG. 6*



*FIG. 5*



*FIG. 7*