



US00D400057S

# United States Patent [19]

**Bounds et al.**

[11] **Patent Number: Des. 400,057**

[45] **Date of Patent: \*\*Oct. 27, 1998**

[54] **KNIFE BLOCK**

[76] Inventors: **William E. Bounds**, deceased, late of Torrance, Calif.; by **Helen J. Bounds**, executrix, 1737 W. 240th St., Torrance, Calif. 90505

[\*\*] Term: **14 Years**

[21] Appl. No.: **78,555**

[22] Filed: **Oct. 30, 1997**

[51] **LOC (6) Cl. .... 06-04**

[52] **U.S. Cl. .... D7/637**

[58] **Field of Search .... D7/637-641; 211/13, 211/60.1, 70.6, 70.7; 248/37.3**

[56] **References Cited**

**U.S. PATENT DOCUMENTS**

D. 382,774 8/1997 Cohen et al. .... D7/637  
4,601,400 7/1986 Buchanan et al. .... 211/70.7

**FOREIGN PATENT DOCUMENTS**

2133681 8/1984 United Kingdom ..... D7/637

*Primary Examiner*—Terry A. Wallace  
*Attorney, Agent, or Firm*—Edward A. Sokolski

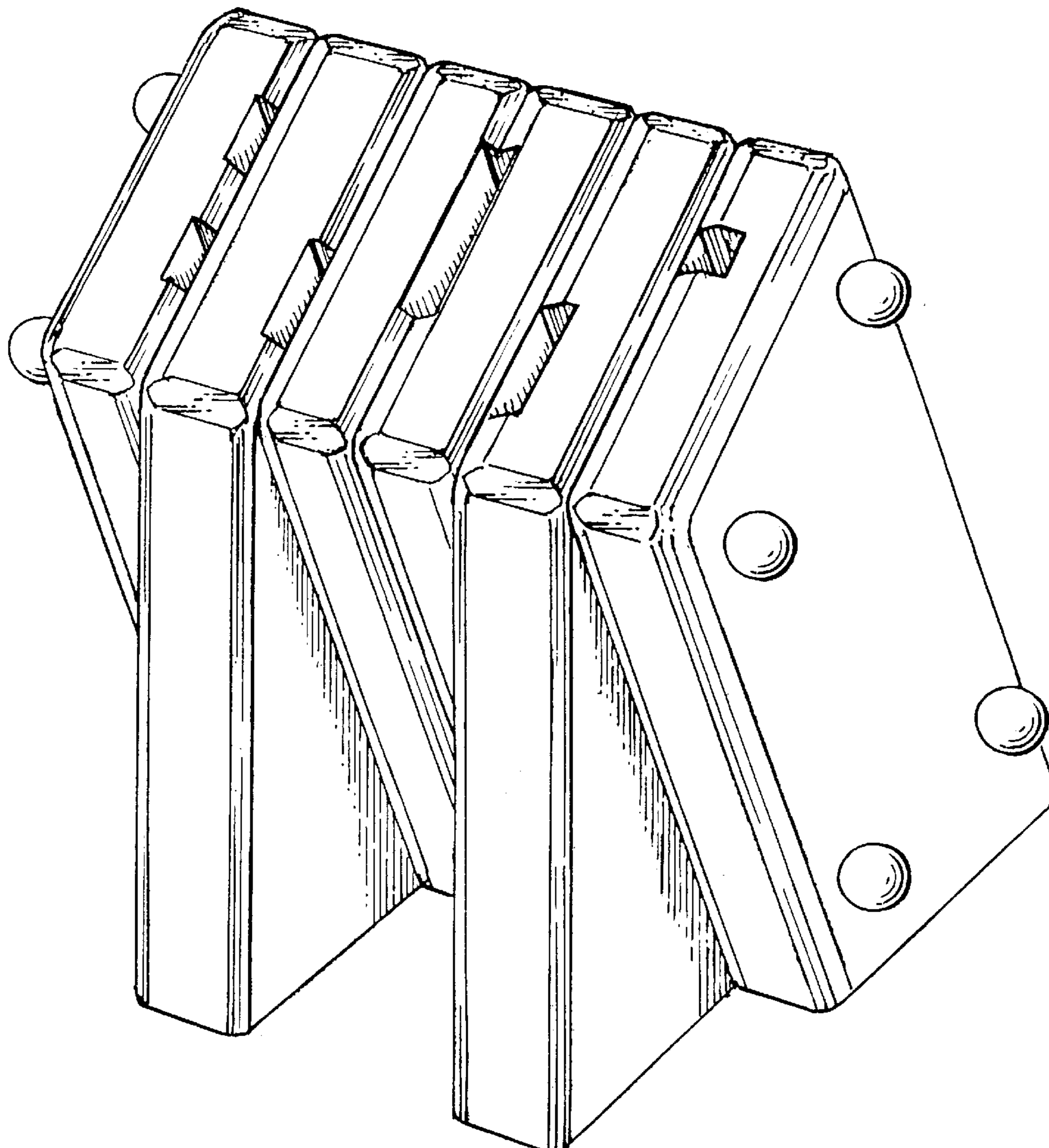
[57] **CLAIM**

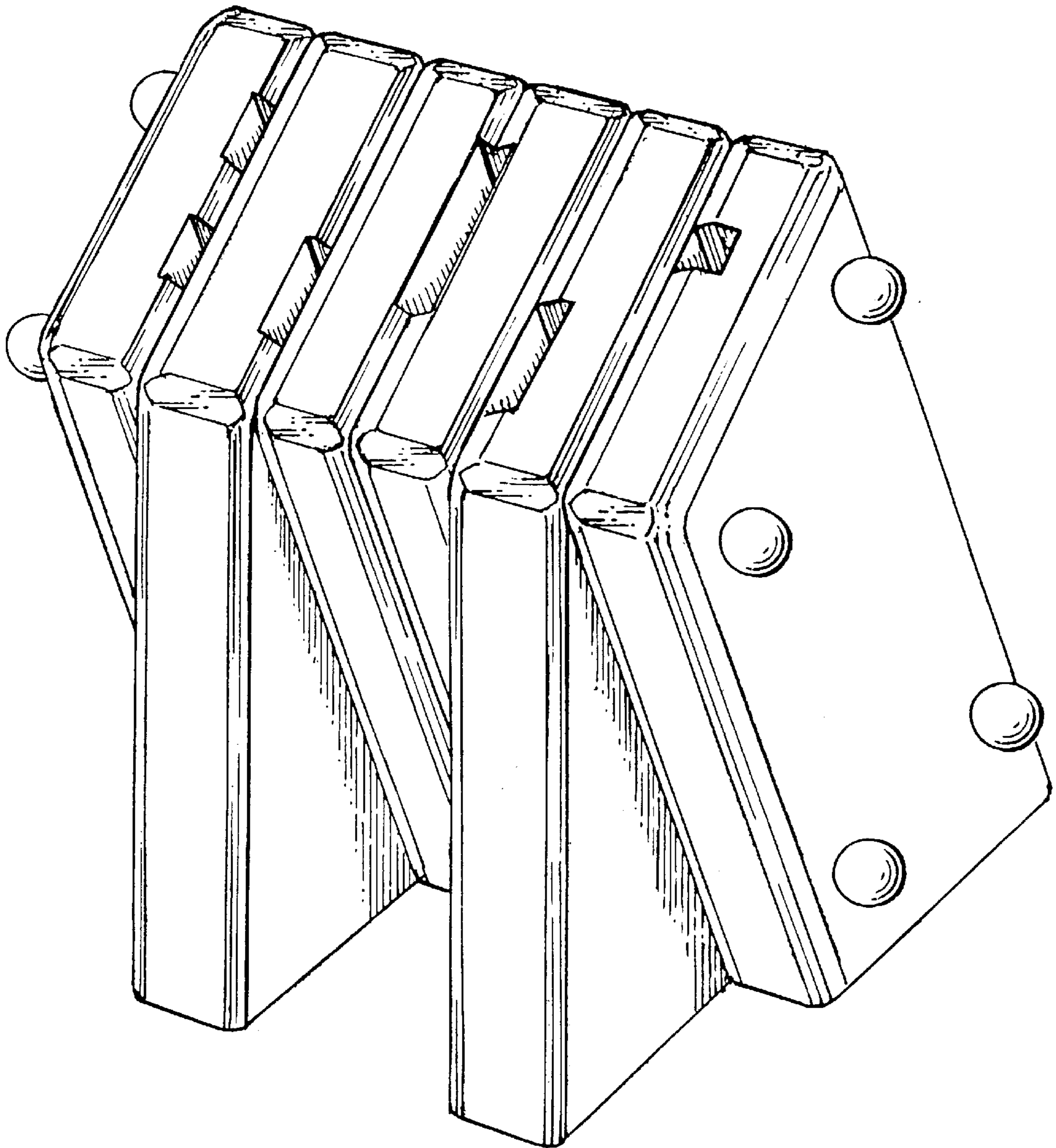
The ornamental design for a knife block, as shown and described.

**DESCRIPTION**

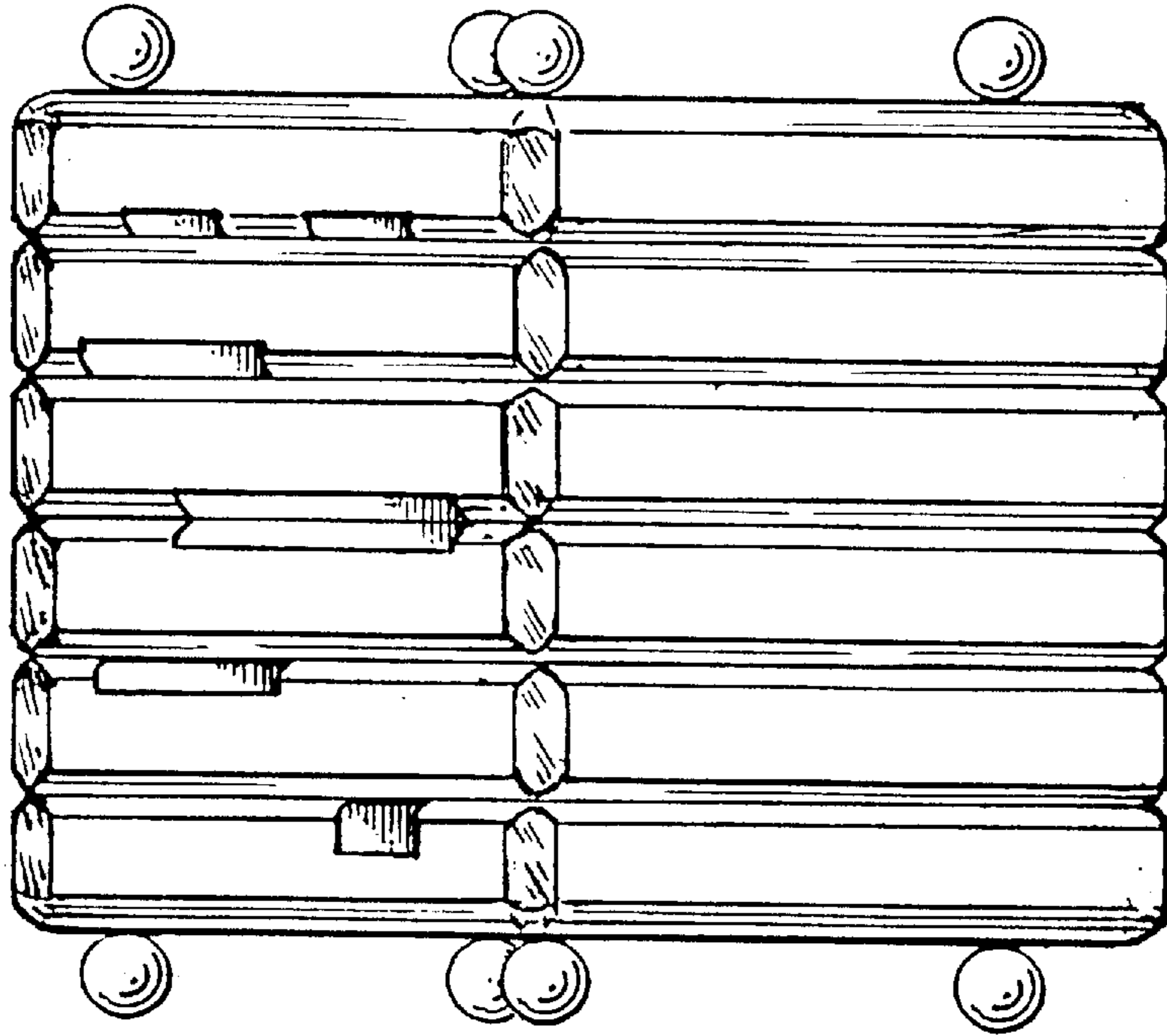
FIG. 1 is a top front perspective view of a knife block showing the new design;  
FIG. 2 is a top plan view thereof;  
FIG. 3 is a right side elevational view thereof, the opposite side being a mirror image of that shown;  
FIG. 4 is a rear elevational view thereof;  
FIG. 5 is a bottom view thereof; and,  
FIG. 6 is a rear elevational view thereof.

**1 Claim, 4 Drawing Sheets**

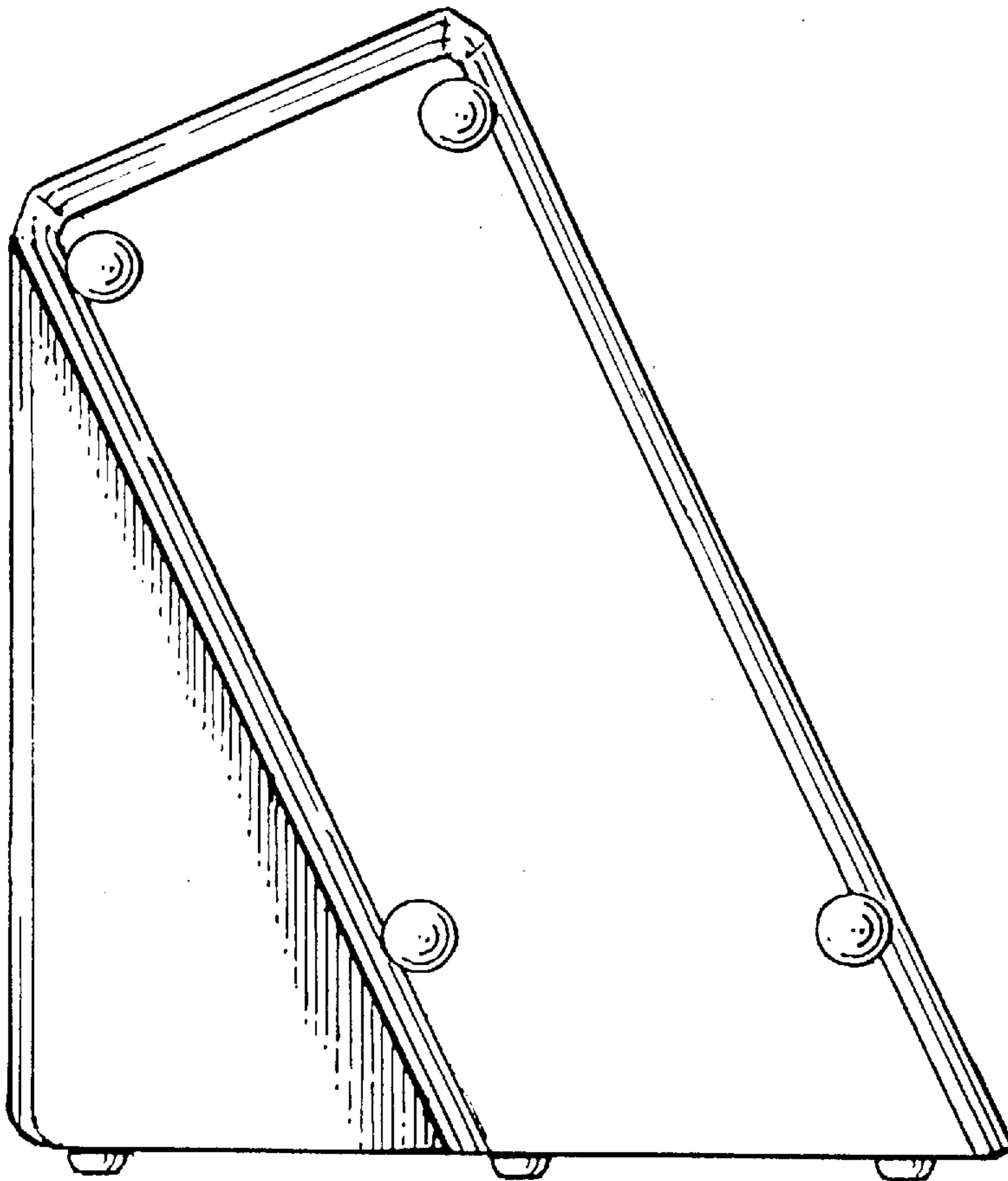




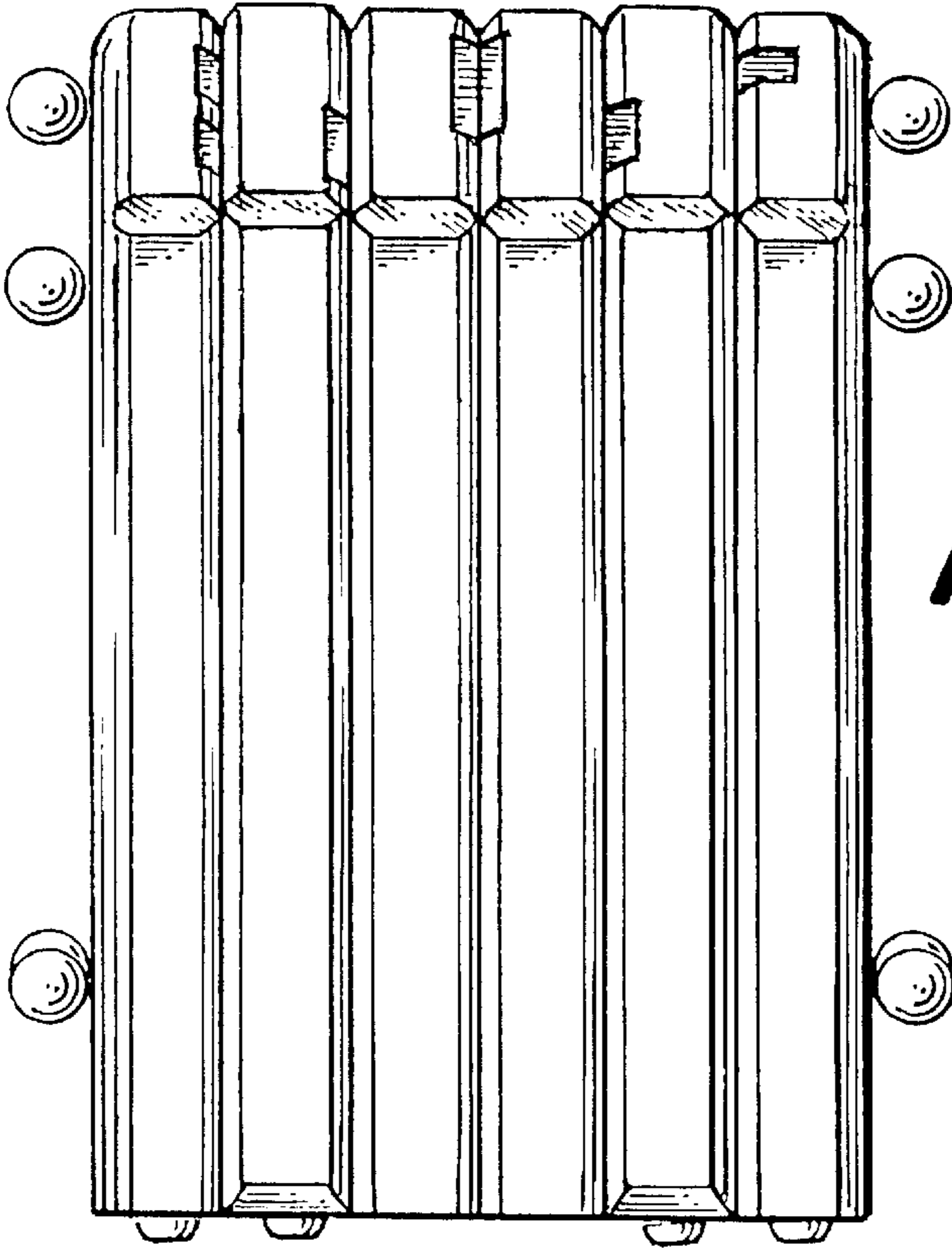
*Fig. 1.*



*Fig. 2.*

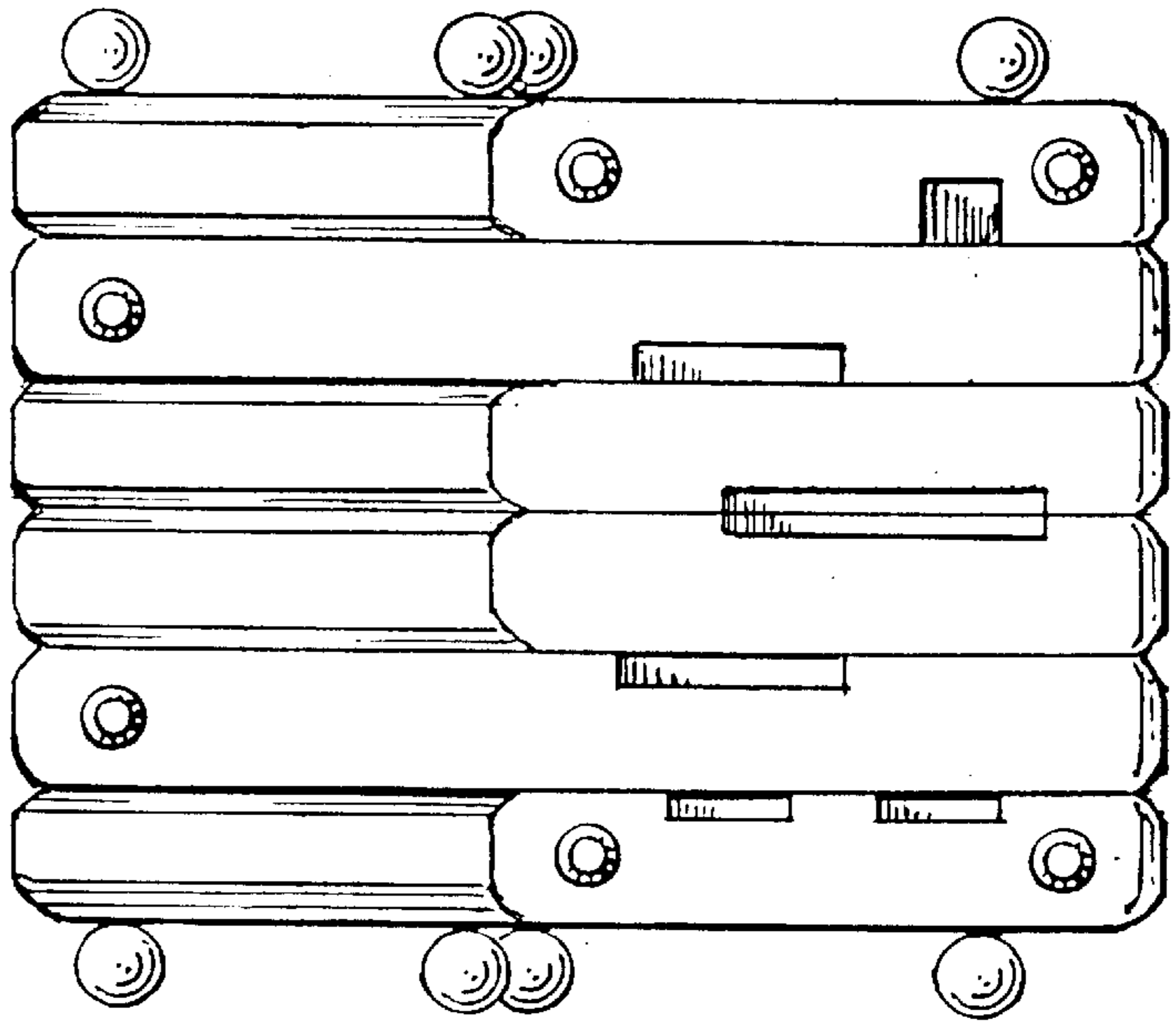


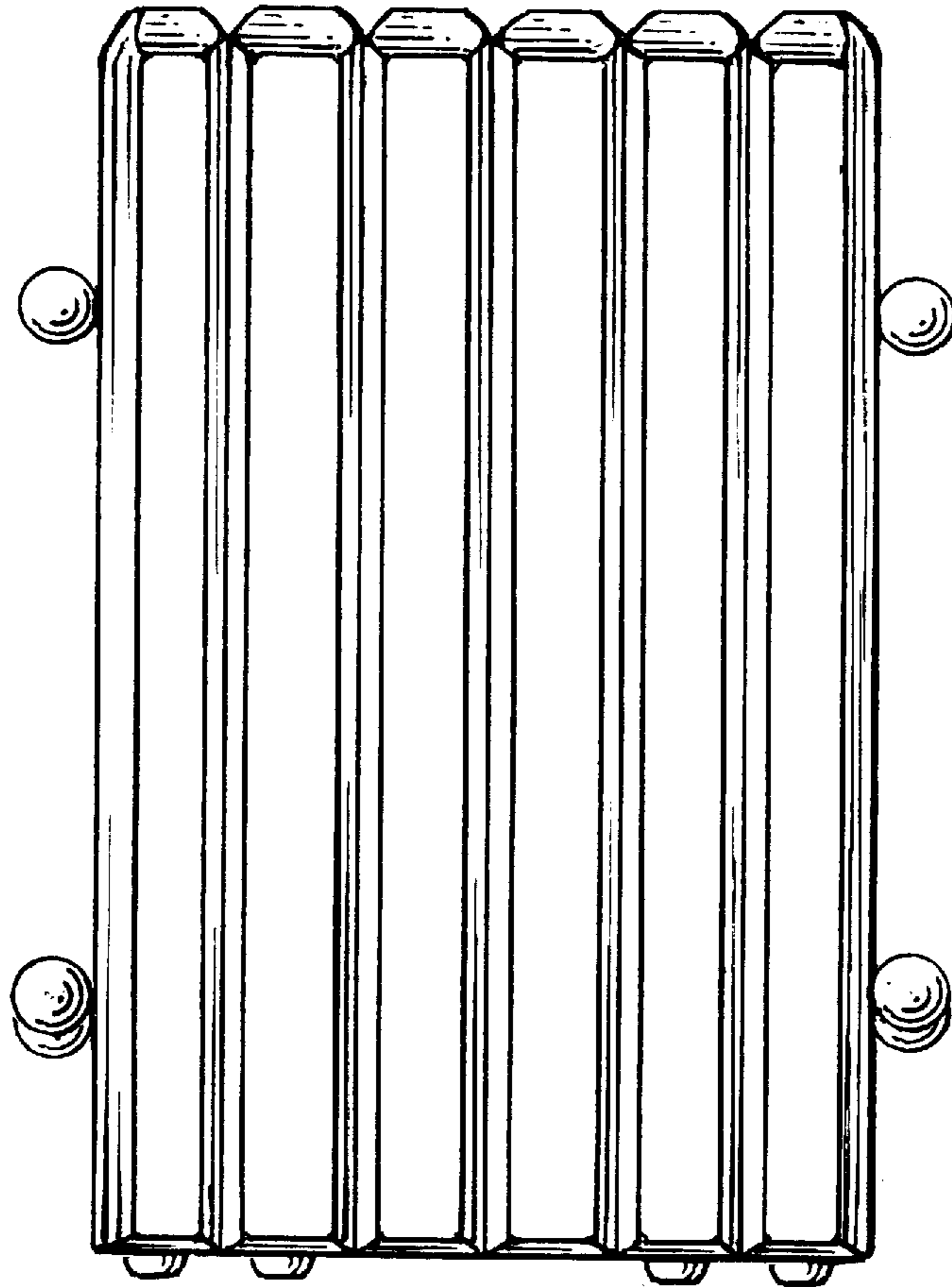
*Fig. 3.*



*Fig. 4.*

*Fig. 5.*





*Fig. 6.*